



US00D895320S

(12) **United States Design Patent** (10) **Patent No.:** **US D895,320 S**  
**Diefenbach et al.** (45) **Date of Patent:** **\*\* Sep. 8, 2020**

(54) **BEVERAGE DISPENSER**

(56) **References Cited**

(71) Applicant: **RIPRUP Company S.A.**, St. Peter Port (GG)

U.S. PATENT DOCUMENTS

(72) Inventors: **Andreas Diefenbach**, St. Peter Port (GG); **Ulrich Muhs**, St. Peter Port (GG); **Stefan Andreesen**, St. Peter Port (GG)

D596,441 S *	7/2009	Cahen .....	D7/309
D734,635 S *	7/2015	Behar .....	D7/306
D795,631 S *	8/2017	Armstrong .....	D7/326
D799,255 S *	10/2017	Ullman .....	D7/306
D801,112 S *	10/2017	Struggl .....	D7/397
D826,618 S *	8/2018	Hare .....	D7/313
D827,353 S *	9/2018	Hare .....	D7/313
D832,019 S *	10/2018	Cahen .....	D7/306
D858,169 S *	9/2019	Diefenbach .....	D7/313
D859,050 S *	9/2019	Diefenbach .....	D7/313

(73) Assignee: **RIPRUP Company S.A.**, St. Peter Port (GG)

\* cited by examiner

(\*\*) Term: **15 Years**

*Primary Examiner* — Marianne N Pandozzi

(21) Appl. No.: **29/680,803**

(74) *Attorney, Agent, or Firm* — Bryan W. Bockhop; Bockhop Intellectual Property Law, LLC

(22) Filed: **Feb. 20, 2019**

(57) **CLAIM**

(51) **LOC (12) Cl.** ..... **07-01**

The ornamental design for a beverage dispenser, as shown and described.

(52) **U.S. Cl.**

**DESCRIPTION**

USPC ..... **D6/542**; D7/330; D7/313; D6/545

(58) **Field of Classification Search**

USPC ..... D7/305–311, 313, 300; D15/82; 222/129.1, 146.6; D6/545, 542

CPC ..... B67D 1/36; B67D 2210/0065; B67D 1/0009; B67D 3/0061; B67D 3/045; B65D 83/00; B65D 23/104; A47K 5/122; A47J 31/4482; A47J 31/369; A47J 31/407; A47J 31/10; A47J 31/467; A47J 31/0615; A47J 31/32

FIG. 1 is a top left perspective view of a beverage dispenser showing my new design;

FIG. 2 is a bottom left perspective view thereof;

FIG. 3 is a left side elevational view thereof;

FIG. 4 is a right side elevational view thereof;

FIG. 5 is a front elevational view thereof;

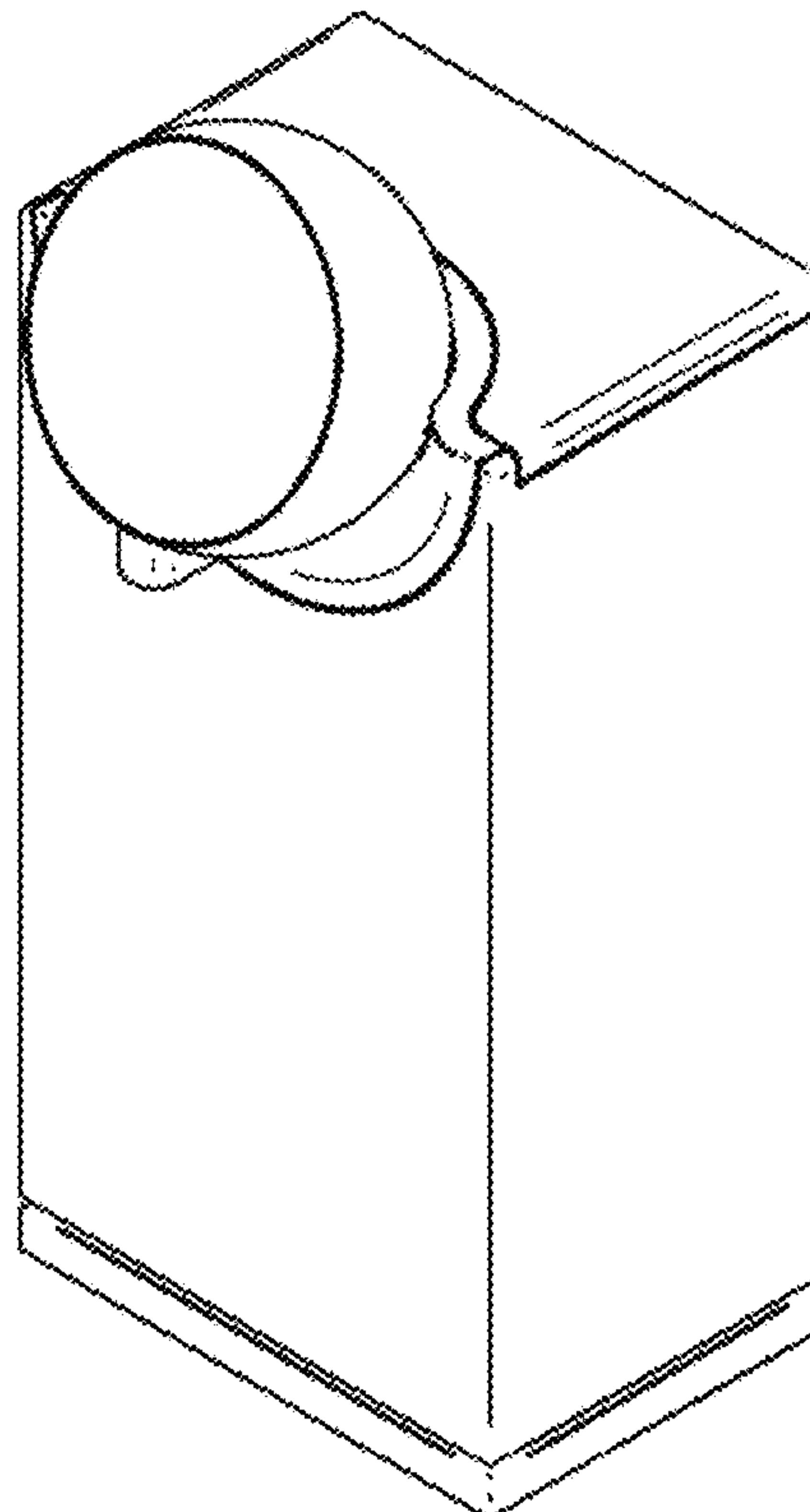
FIG. 6 is a back elevational view thereof;

FIG. 7 is a top plan view thereof; and,

FIG. 8 is a bottom plan view thereof.

See application file for complete search history.

**1 Claim, 2 Drawing Sheets**



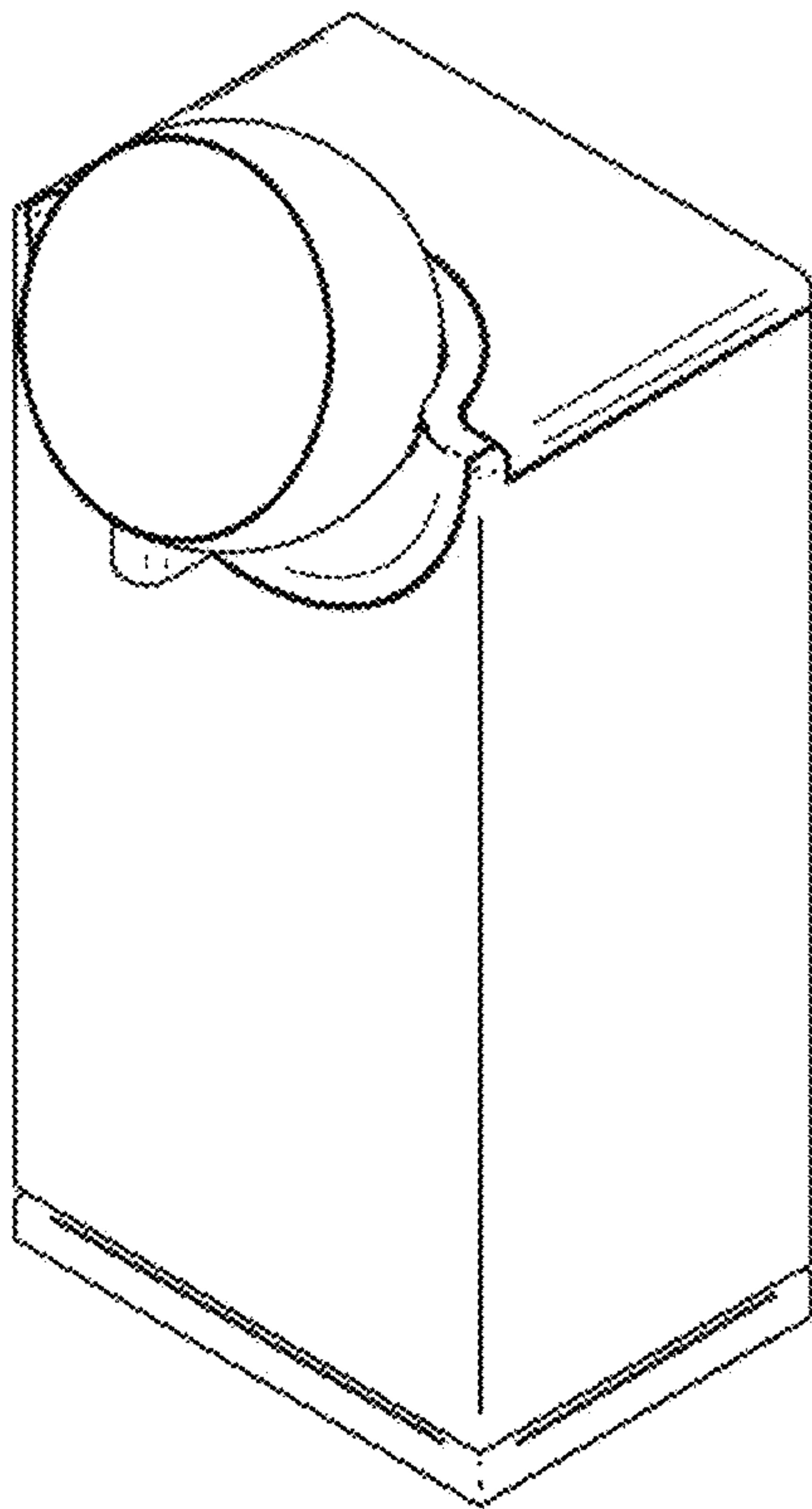


FIG. 1

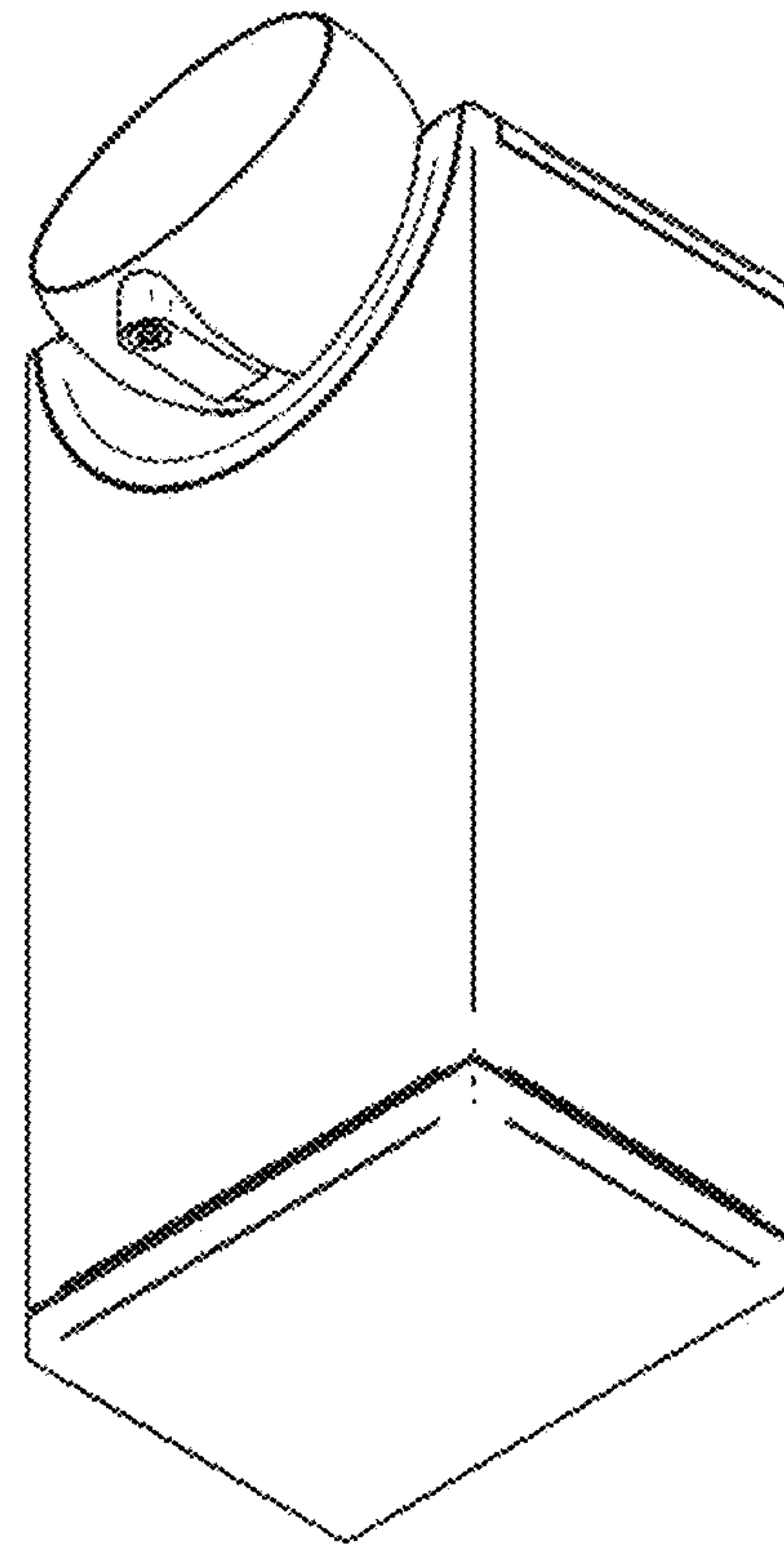


FIG. 2

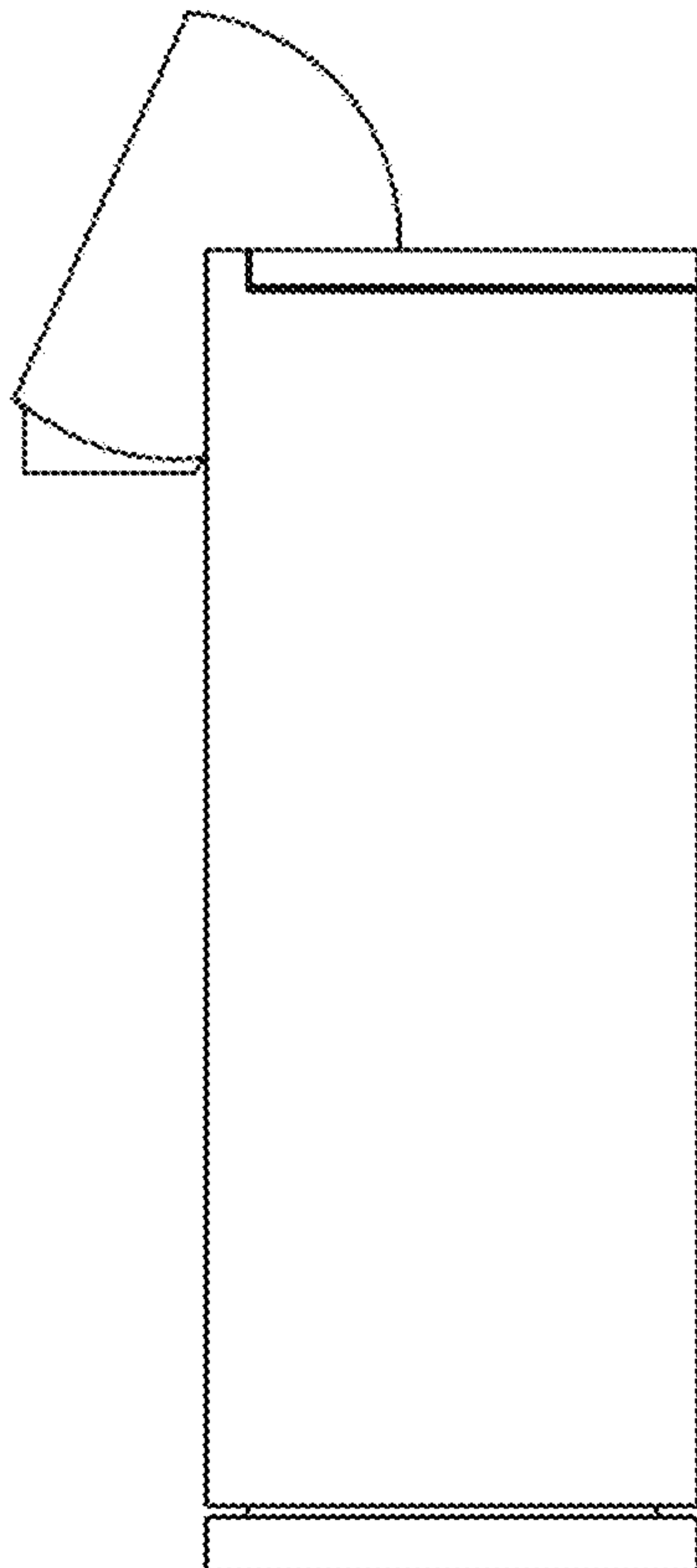


FIG. 3

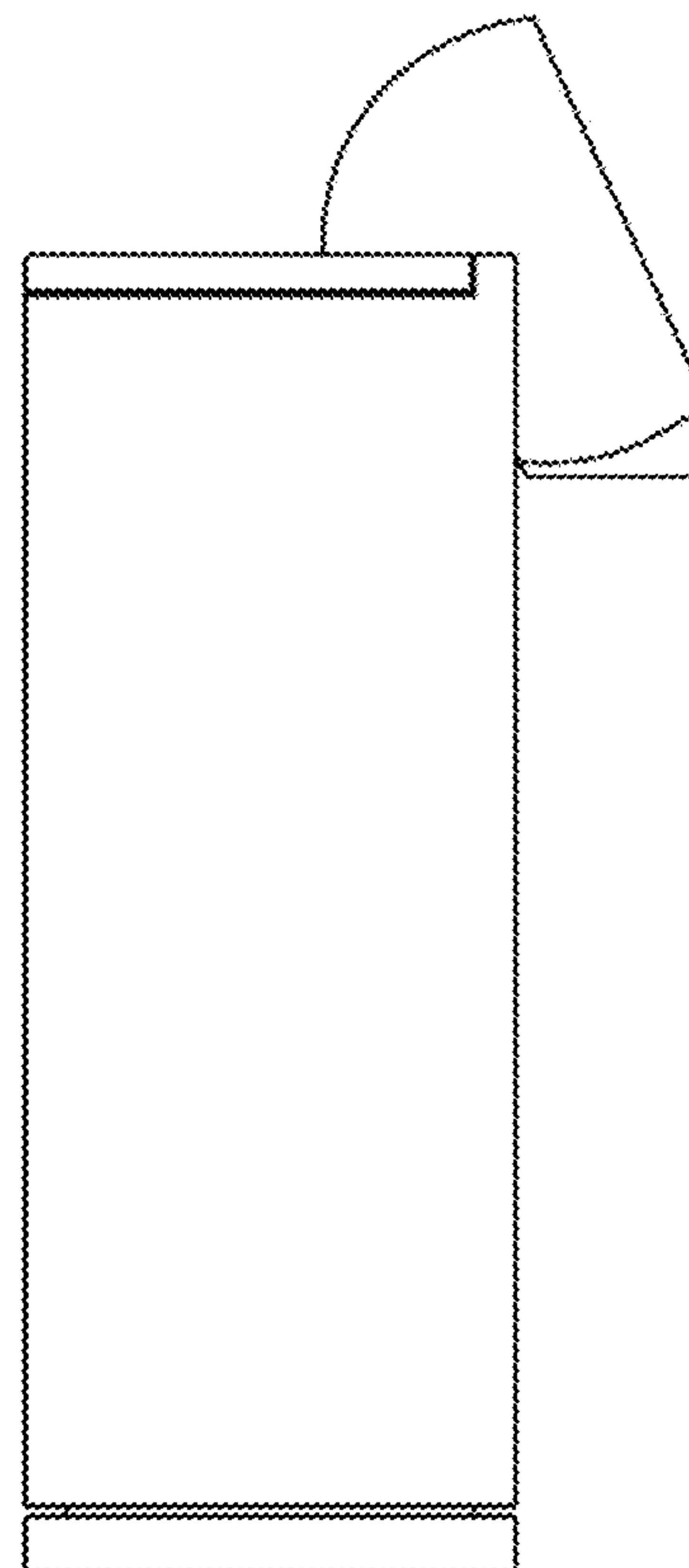


FIG. 4

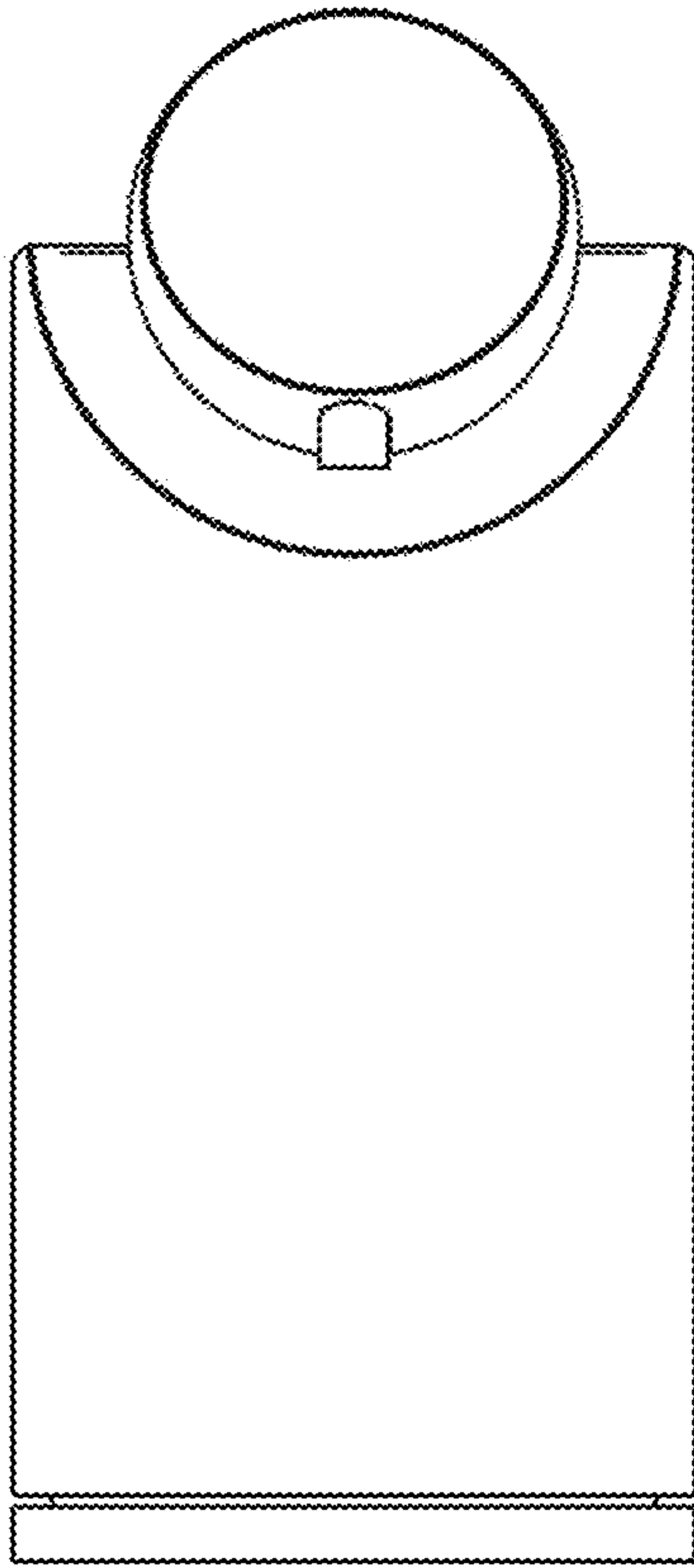


FIG. 5

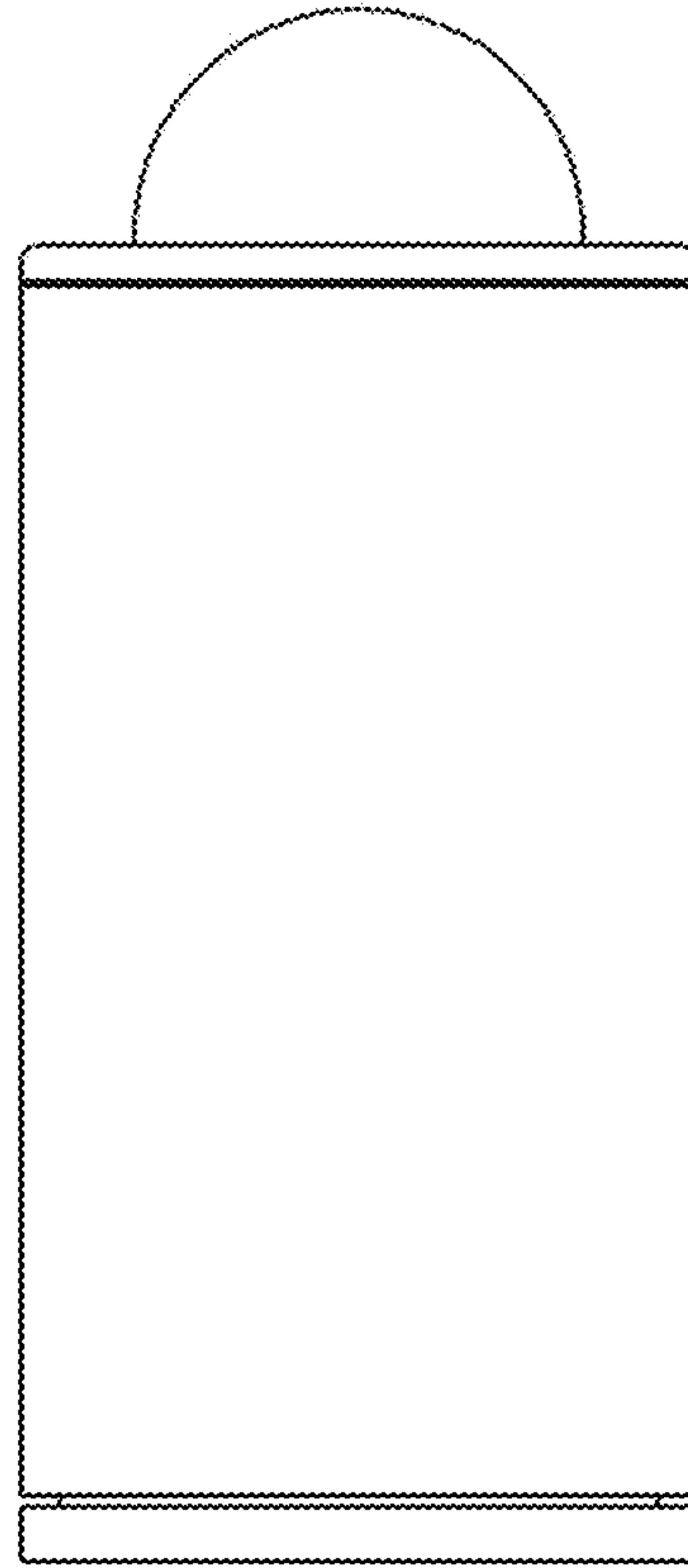


FIG. 6

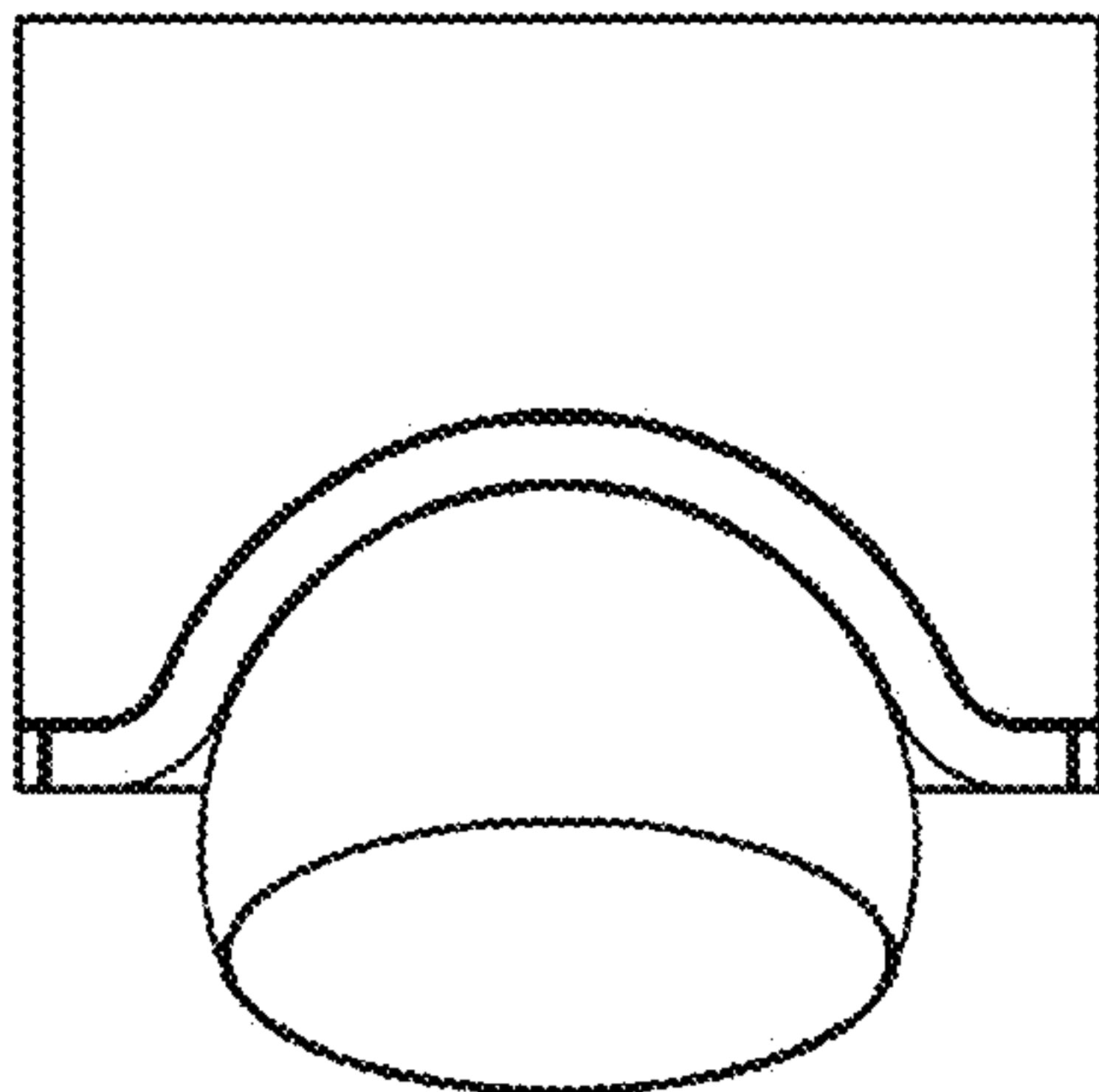


FIG. 7

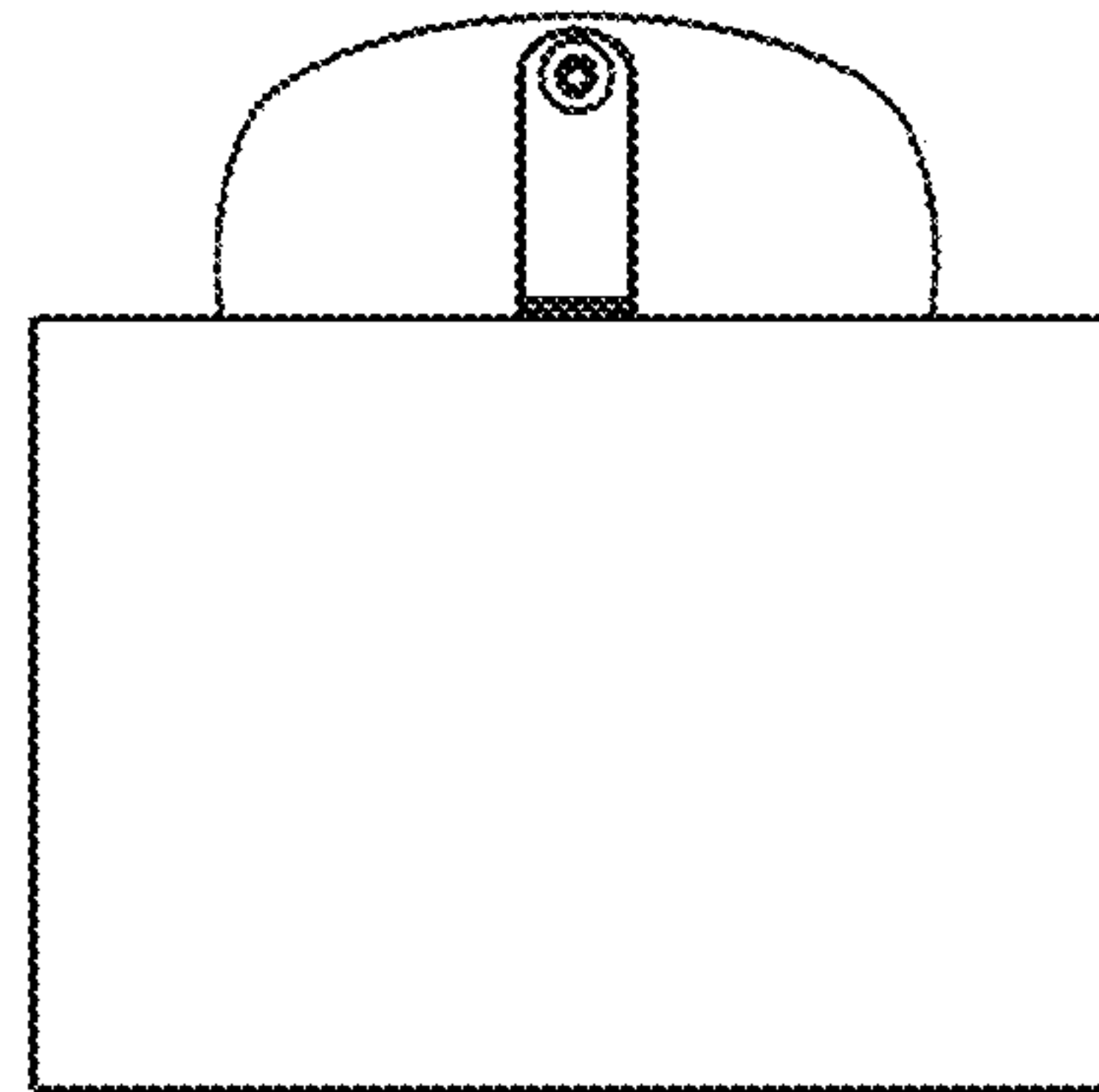


FIG. 8