



US00D895319S

(12) **United States Design Patent**  
**Stelmarski**

(10) **Patent No.:** **US D895,319 S**

(45) **Date of Patent:** **\*\* Sep. 8, 2020**

- (54) **CADDY**
- (71) Applicant: **InterDesign, Inc.**, Solon, OH (US)
- (72) Inventor: **Brian Stelmarski**, Hudson, OH (US)
- (73) Assignee: **InterDesign, Inc.**, Solon, OH (US)

D566,441 S \* 4/2008 Dretzka ..... A47K 3/281  
D6/525  
D572,061 S \* 7/2008 Snider ..... A47K 3/281  
D6/525  
D615,333 S \* 5/2010 Snell ..... A47K 3/281  
D6/525  
D632,513 S \* 2/2011 Cittadino ..... A47K 3/281  
D6/525

(\*\*) Term: **15 Years**

(Continued)

(21) Appl. No.: **29/705,578**

**OTHER PUBLICATIONS**

(22) Filed: **Sep. 13, 2019**

Amazon.com, InterDesign Cicz Plastic Hanging Shower Caddy, Oct. 23, 2017, [https://www.amazon.com/InterDesign-Ciclz-Hanging-Shower-Caddy/dp/B01MTF6WD0/ref=sr\\_1\\_26?dchild=1&keywords=interdesign+caddy&qid=1589896474&sr=8-26](https://www.amazon.com/InterDesign-Ciclz-Hanging-Shower-Caddy/dp/B01MTF6WD0/ref=sr_1_26?dchild=1&keywords=interdesign+caddy&qid=1589896474&sr=8-26) (Year: 2017).\*

**Related U.S. Application Data**

(63) Continuation of application No. 29/673,653, filed on Dec. 17, 2018, now Pat. No. Des. 862,949, which is a continuation of application No. 29/595,931, filed on Mar. 3, 2017, now Pat. No. Des. 838,508.

*Primary Examiner* — Nathan M Johnston

(74) *Attorney, Agent, or Firm* — Calfee Halter & Griswold, LLP

(51) **LOC (12) Cl.** ..... **23-02**

(52) **U.S. Cl.**  
USPC ..... **D6/525**

(58) **Field of Classification Search**  
USPC ..... D6/524–525, 566, 536, 540, 567, 570;  
211/13.1, 74, 71.01, 86.01, 75, 88.01,  
211/90.01, 90.03, 106, 119, 126.1, 133.5,  
211/181.1, 134  
CPC ..... A47K 3/281; A47K 3/28; A47F 5/0093;  
A47B 45/00; A47B 96/025  
See application file for complete search history.

(57) **CLAIM**

I claim the ornamental design for caddy, as shown and described.

**DESCRIPTION**

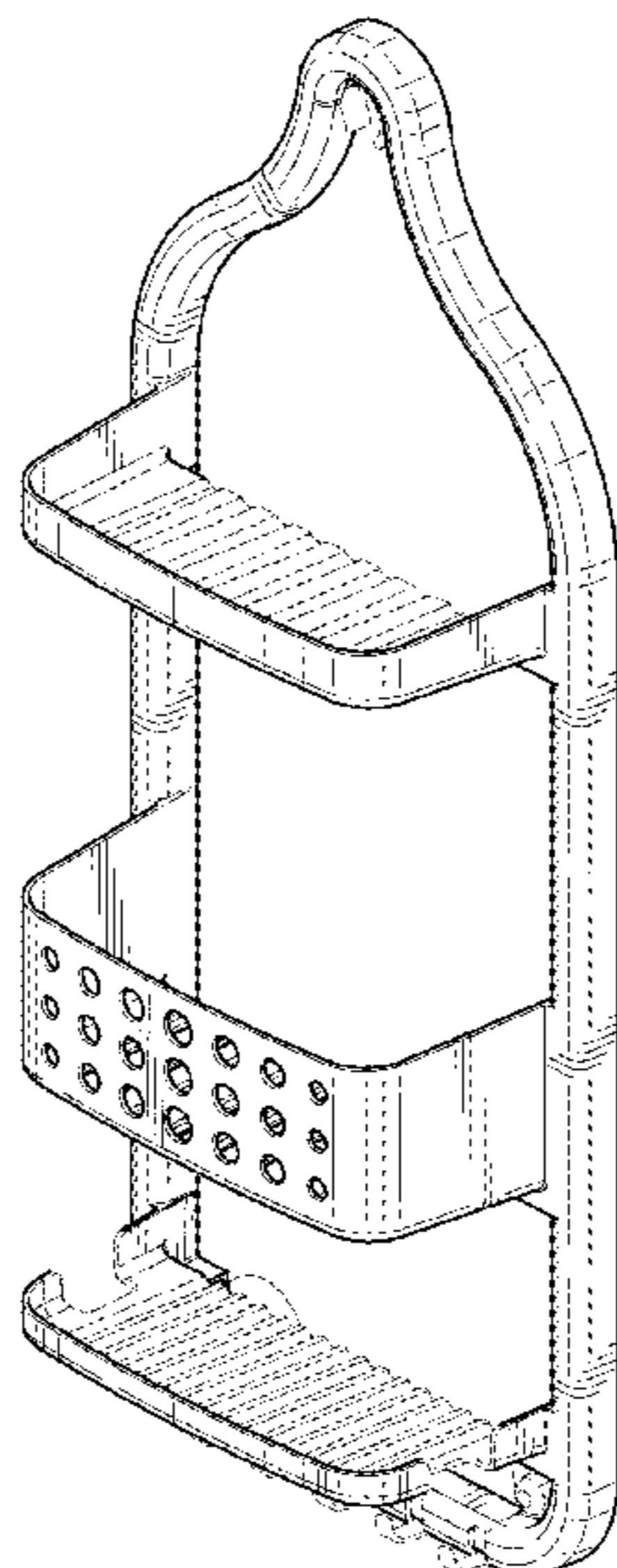
FIG. 1 is a front/right/top perspective view of a caddy (a front/left/top perspective view would be a mirror image thereof);  
FIG. 2 is a back/right/bottom perspective view thereof (a back/left/bottom perspective view would be a mirror image thereof);  
FIG. 3 is a front elevational view thereof;  
FIG. 4 is a rear elevational view thereof;  
FIG. 5 is a left side elevational view thereof;  
FIG. 6 is a right side elevational view thereof;  
FIG. 7 is a top plan view thereof; and,  
FIG. 8 is a bottom plan view thereof.  
The broken lines depict portions that form no part of the claimed design.

(56) **References Cited**

**U.S. PATENT DOCUMENTS**

- D310,457 S \* 9/1990 Heap ..... D6/525
- D392,484 S \* 3/1998 Yemini ..... D6/525
- D404,948 S \* 2/1999 Yemini ..... D6/525
- D413,467 S \* 9/1999 Patel ..... D6/525
- D494,793 S \* 8/2004 Winkleman ..... A47K 3/281  
D6/525
- D496,549 S \* 9/2004 Snell ..... A47K 3/281  
D6/525

**1 Claim, 4 Drawing Sheets**



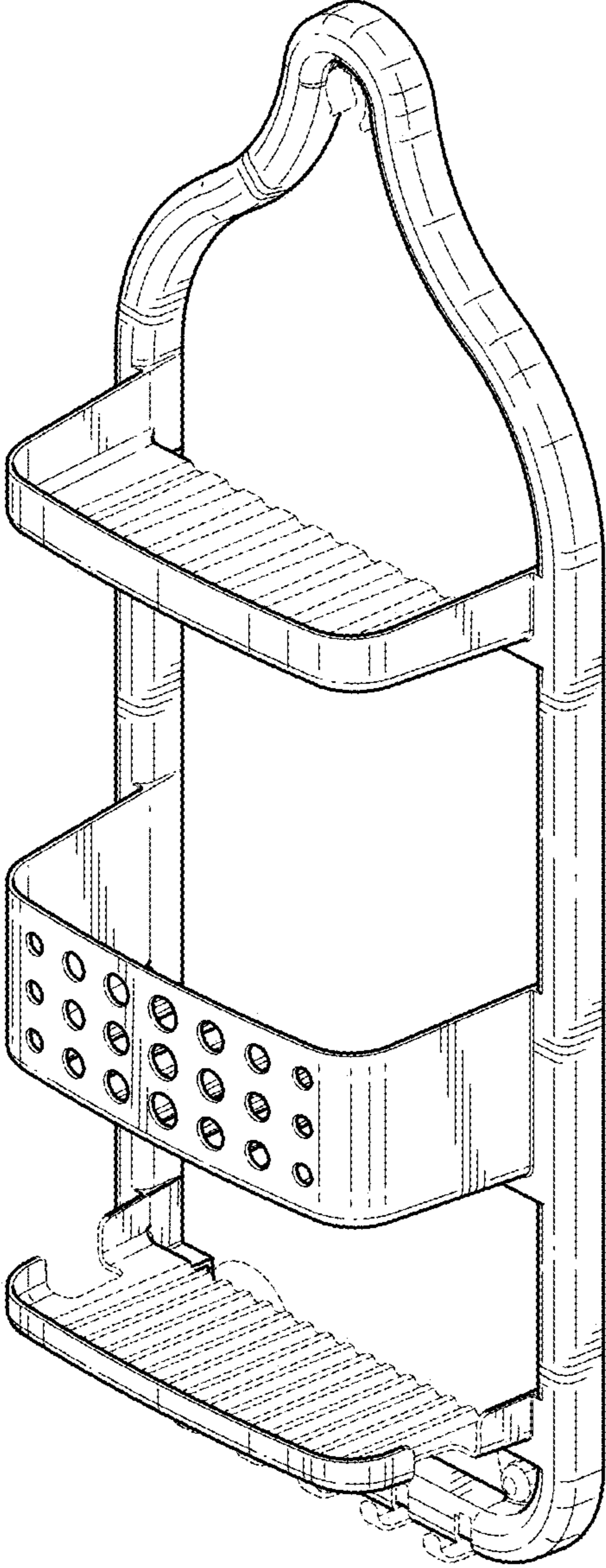
(56)

**References Cited**

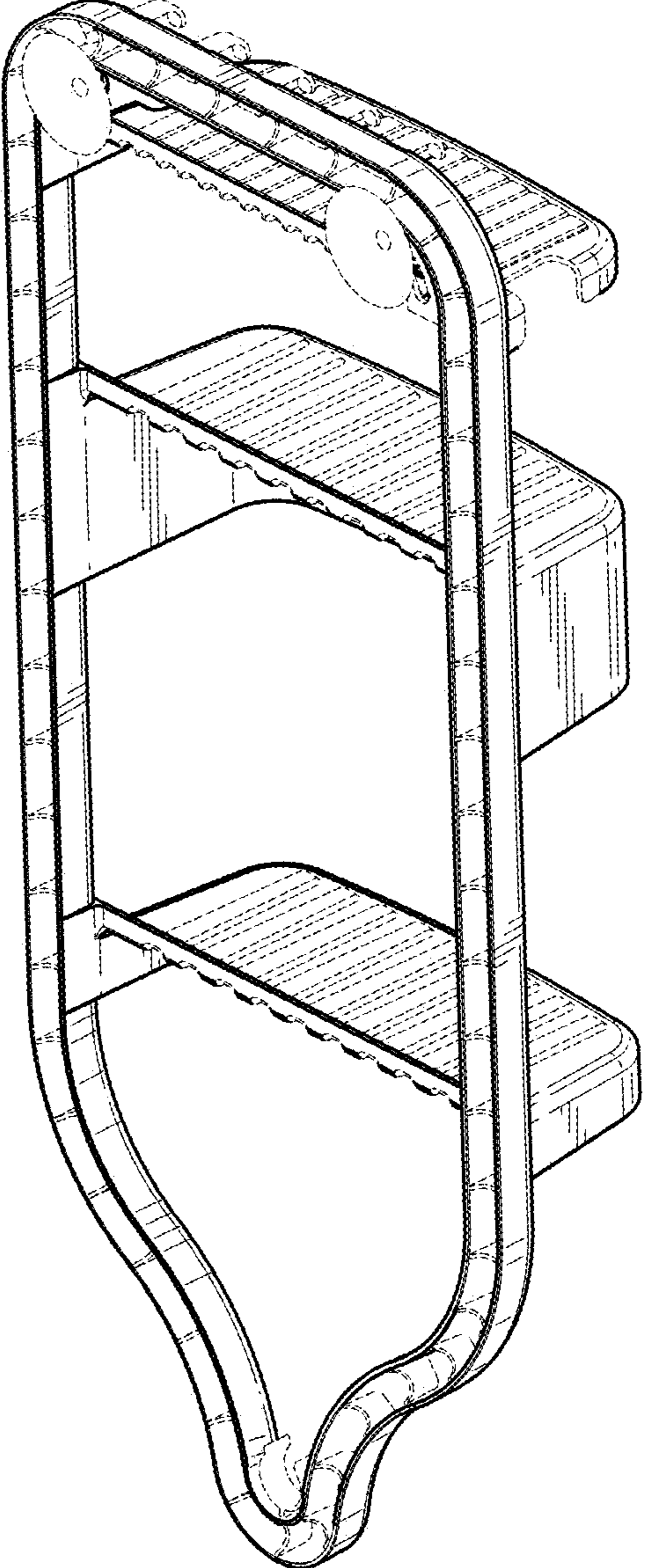
U.S. PATENT DOCUMENTS

D632,515 S \* 2/2011 Cittadino ..... A47K 3/281  
D6/525  
D714,571 S \* 10/2014 Walker ..... D6/525  
2014/0284293 A1\* 9/2014 Greco ..... A47K 3/281  
211/85.12

\* cited by examiner

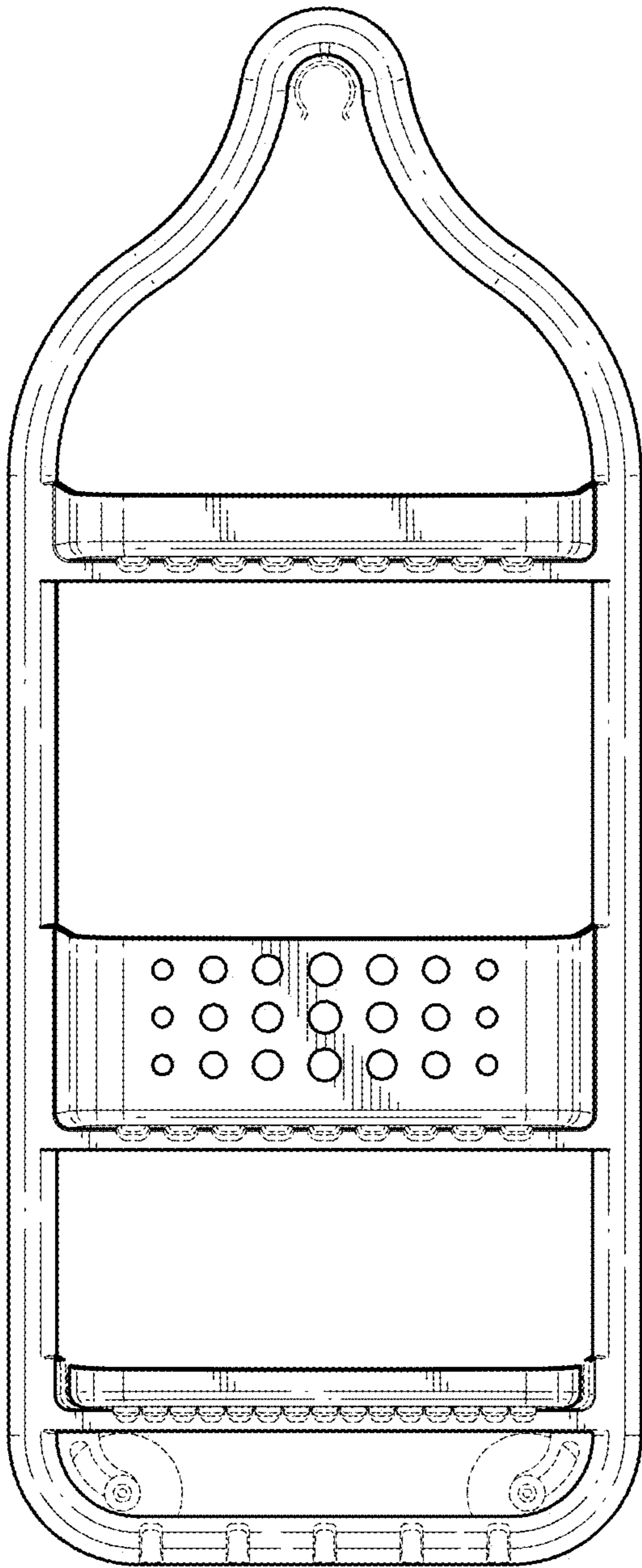


**FIG. 1**

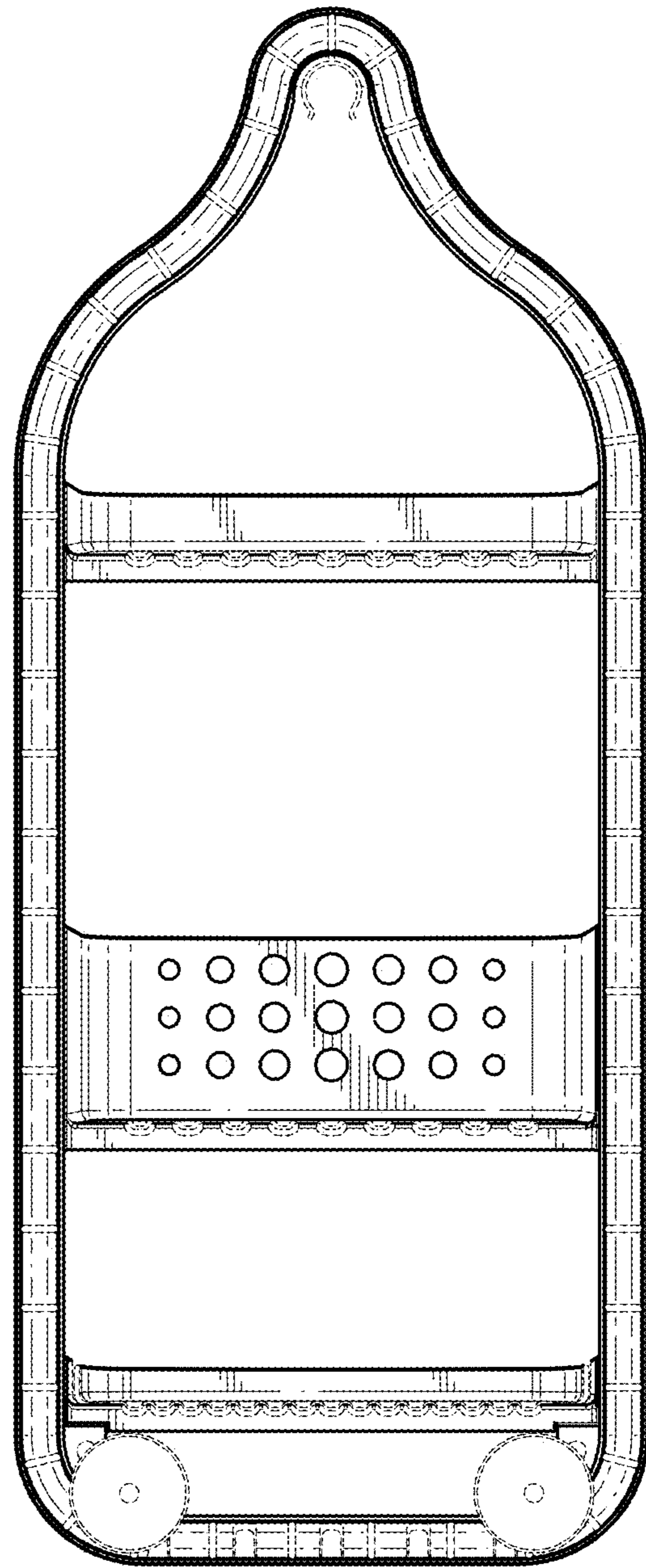


**FIG. 2**

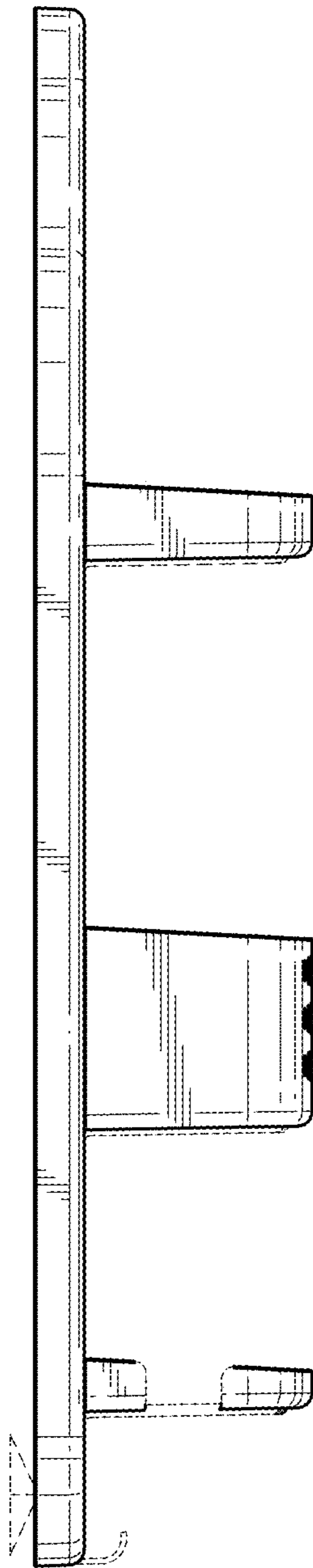




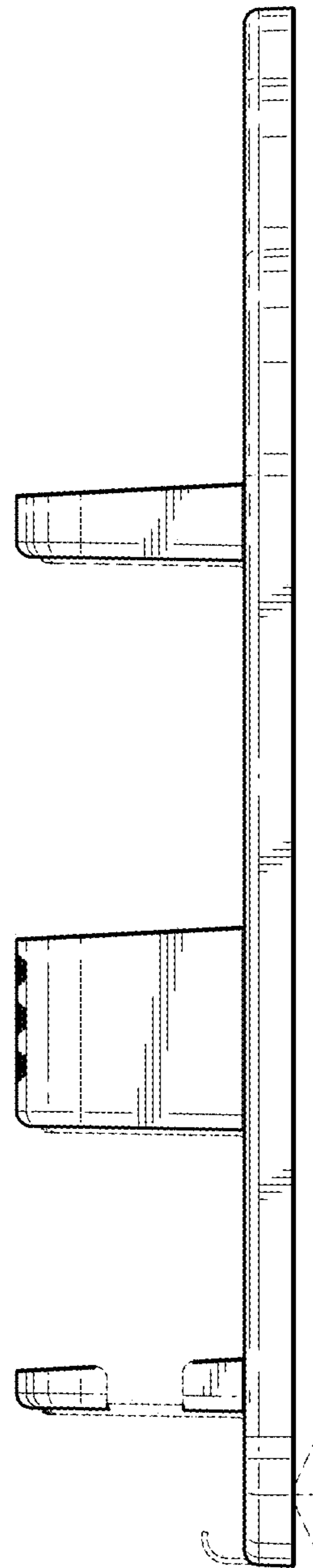
**FIG. 3**



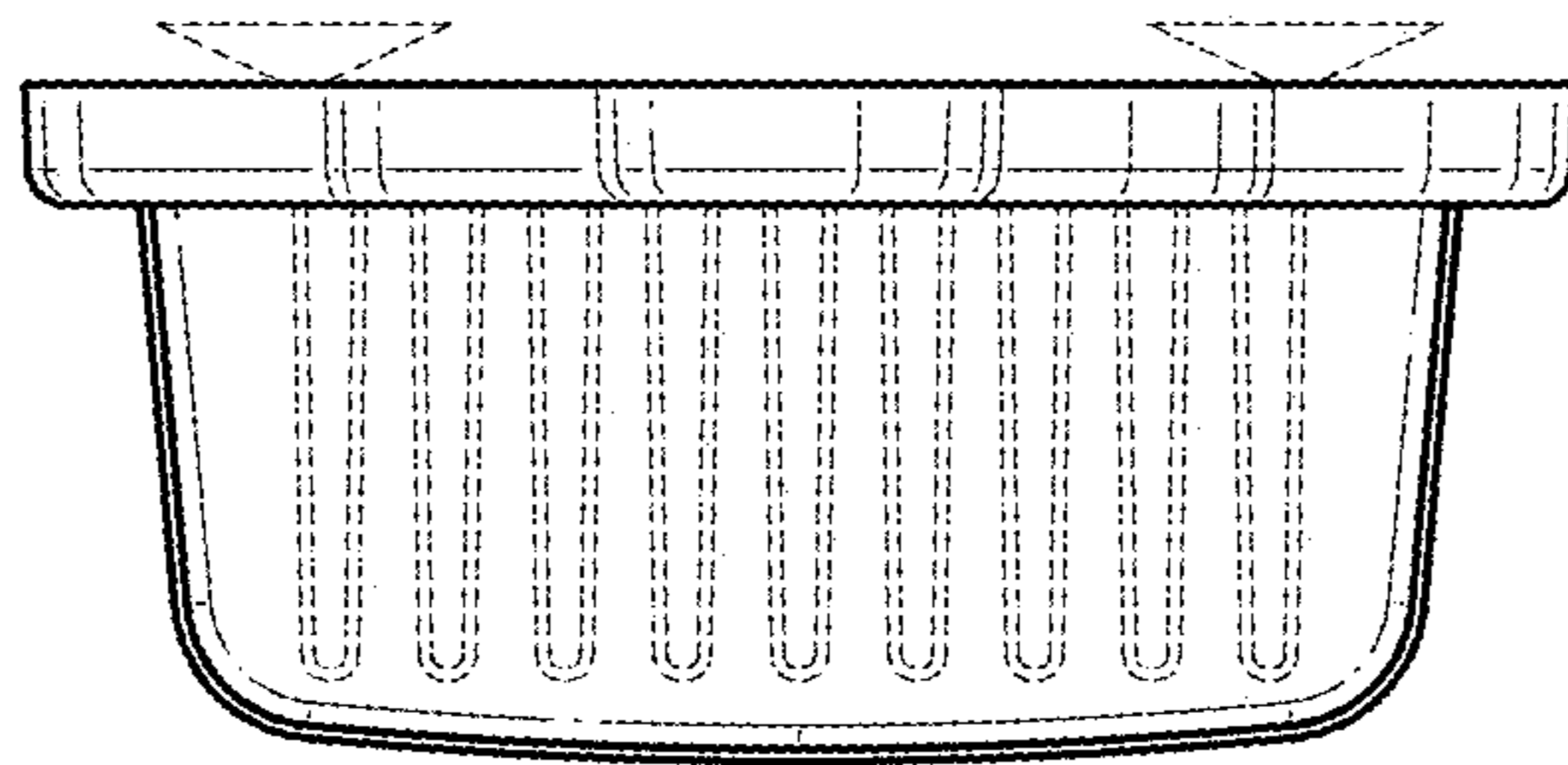
**FIG. 4**



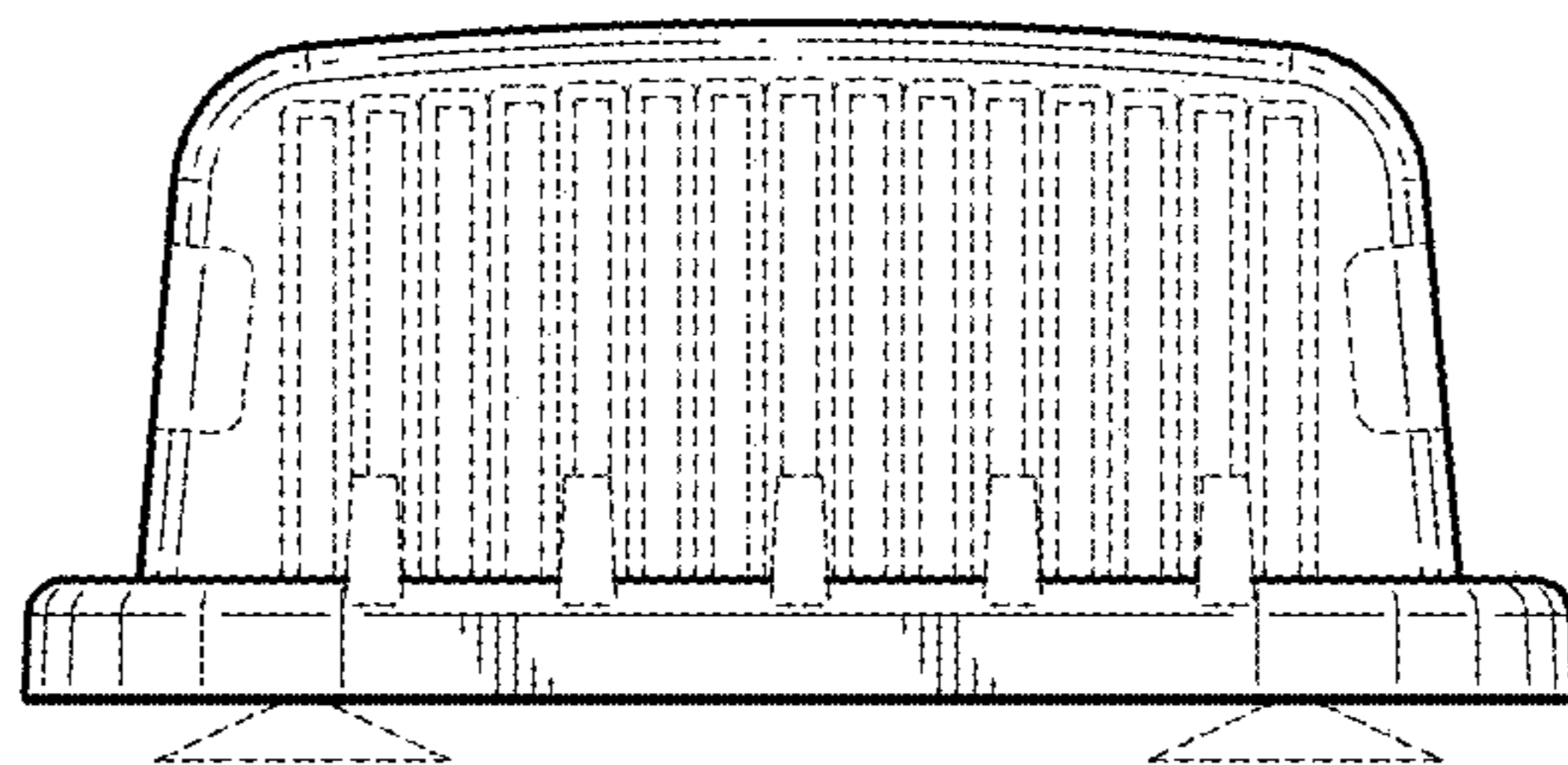
**FIG. 5**



**FIG. 6**



**FIG. 7**



**FIG. 8**