



US00D895318S

(12) **United States Design Patent** (10) **Patent No.:** **US D895,318 S**
Dratch (45) **Date of Patent:** **** Sep. 8, 2020**

(54) **TOILET PAPER HOLDER STAND** D493,643 S * 8/2004 Snell D6/523
6,974,043 B1 12/2005 Lai
(71) Applicant: **General Printing & Design, Inc.,** 6,988,691 B1 1/2006 Lai
Southborough, MA (US) D520,281 S * 5/2006 Lin D6/523
(Continued)

(72) Inventor: **Douglas Dratch**, Southborough, MA (US)

FOREIGN PATENT DOCUMENTS

(73) Assignee: **GENERAL PRINTING & DESIGN, INC.,** Southborough, MA (US)

CM 201330064292 7/2013
DM 026566 8/1993
(Continued)

(**) Term: **15 Years**

OTHER PUBLICATIONS

(21) Appl. No.: **29/716,981**

Metal Free Standing Spare Toilet Paper Roll Holder; Top Jingle Development Co., Ltd https://www.alibaba.com/product-detail/metal-free-standing-spare-toilet-paper_60015143382.html.
(Continued)

(22) Filed: **Dec. 13, 2019**

(51) **LOC (12) Cl.** **23-02**
(52) **U.S. Cl.**

USPC **D6/523**

(58) **Field of Classification Search**
USPC D6/523, 518-519, 522, 527; 16/110.1, 16/412, 415; 108/28-29; 206/389, 557; 211/13.1, 16, 60.1, 86.01, 87.01, 88.01, 211/88.04, 100, 105.1, 105.2, 123, 126.1, 211/133.6, 134, 181.1, 182; 242/570, 242/590, 595-598, 560.2, 594
CPC . A47K 10/38; A47K 2010/3253; A47J 47/16; A47G 19/02; A47G 23/06; A47F 5/0018; A47F 5/0043; A47F 5/04

See application file for complete search history.

Primary Examiner — Wan Laymon
Assistant Examiner — Mark Booker
(74) *Attorney, Agent, or Firm* — Kriegsmann & Kriegsmann

(57) **CLAIM**

The ornamental design for a toilet paper holder stand, as shown and described.

DESCRIPTION

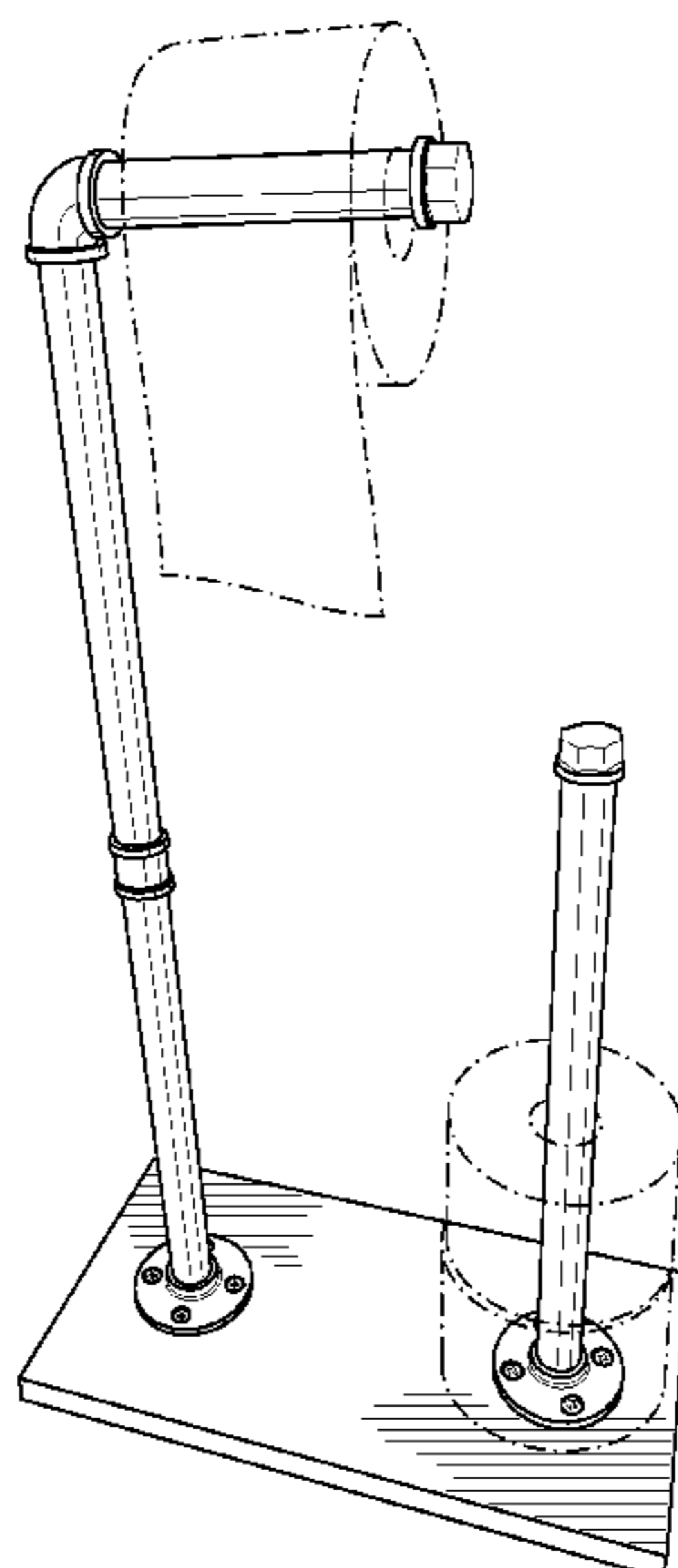
FIG. 1 is a front perspective view of a toilet paper holder stand showing my new design;
FIG. 2 is a front view thereof;
FIG. 3 is a rear view thereof;
FIG. 4 is a left side view thereof;
FIG. 5 is a right side view thereof;
FIG. 6 is a top view thereof; and,
FIG. 7 is a bottom view thereof.
The broken lines shown in the figures representing rolls of toilet paper are provided for the purpose of illustrating an environment only and form no part of the claimed design.

(56) **References Cited**

U.S. PATENT DOCUMENTS

5,301,888 A 4/1994 Danzi
D371,483 S 7/1996 Haarmeyer et al.
D383,342 S 9/1997 Duncan
D386,339 S 11/1997 Schneider
D461,667 S 8/2002 Jordan
D472,414 S * 4/2003 Gilbert D6/523
6,575,316 B2 6/2003 Lin
D476,835 S * 7/2003 Lai D6/523
6,698,683 B2 3/2004 Young

1 Claim, 5 Drawing Sheets



(56)

References Cited

U.S. PATENT DOCUMENTS

D570,143	S	6/2008	Bigelow	
8,282,034	B1	10/2012	Channel et al.	
D691,389	S *	10/2013	Snider	D6/519
D698,571	S	2/2014	Tawil	
D698,572	S	2/2014	Tawil	
D714,569	S *	10/2014	Cohen	D6/523
D775,850	S *	1/2017	Tsai	D6/523
D802,327	S	11/2017	Masterson et al.	
D825,961	S	8/2018	Vaults	
D842,003	S *	3/2019	Soileau	D6/518
10,219,658	B2	3/2019	Simmons	
10,426,300	B1	10/2019	Young	
2012/0234963	A1	9/2012	Channel et al.	
2016/0095478	A1 *	4/2016	Toma	A47K 10/38 242/594

FOREIGN PATENT DOCUMENTS

EM	000883889	A1	6/2008
EM	004496859	A1	11/2017
EM	005641214	A1	9/2018
JP	2008004517		11/2008

OTHER PUBLICATIONS

Toilet Paper Holder Stand and Shelf, 17 Pipe Colors, Extra Toilet Paper Holder, Rustic Toilet Paper Holder, Iron Pipe; JBSCustomWoodworking <https://www.etsy.com/listing/620103545/toilet-paper-holder-stand-and-shelf-17>.

Cobre Railroad Spike Toilet Paper Holder Floor Standing and Spare; 2019 High Country Iron LLC <https://highcountryiron.com/collections/cobre-railroad/products/cobre-railroad-spike-toilet-paper-holder-floor-standing-and-spare>.

Joseph Joseph 70518 EasyStore Butler Toilet Paper Holder Stand and Spare Roll Storage With Shelf and Drawer, Stainless Steel <https://www.bhg.com/shop/joseph-joseph-joseph-joseph-70518-easystore-butler-toilet-paper-holder-stand-and-spare-roll-storage-with-shelf-and-drawer-stainless-steel-pe341f6d556e114541866809a4b4ea80e.html>.

Aquanova; Oscar Wood Toilet Paper Holder and Bath Storage Spare Toilet Roll Holder Set <https://www.agmhomestore.com/collections/bathroom-accessories/products/toilet-paper-holders-oscrxh-p>.

* cited by examiner

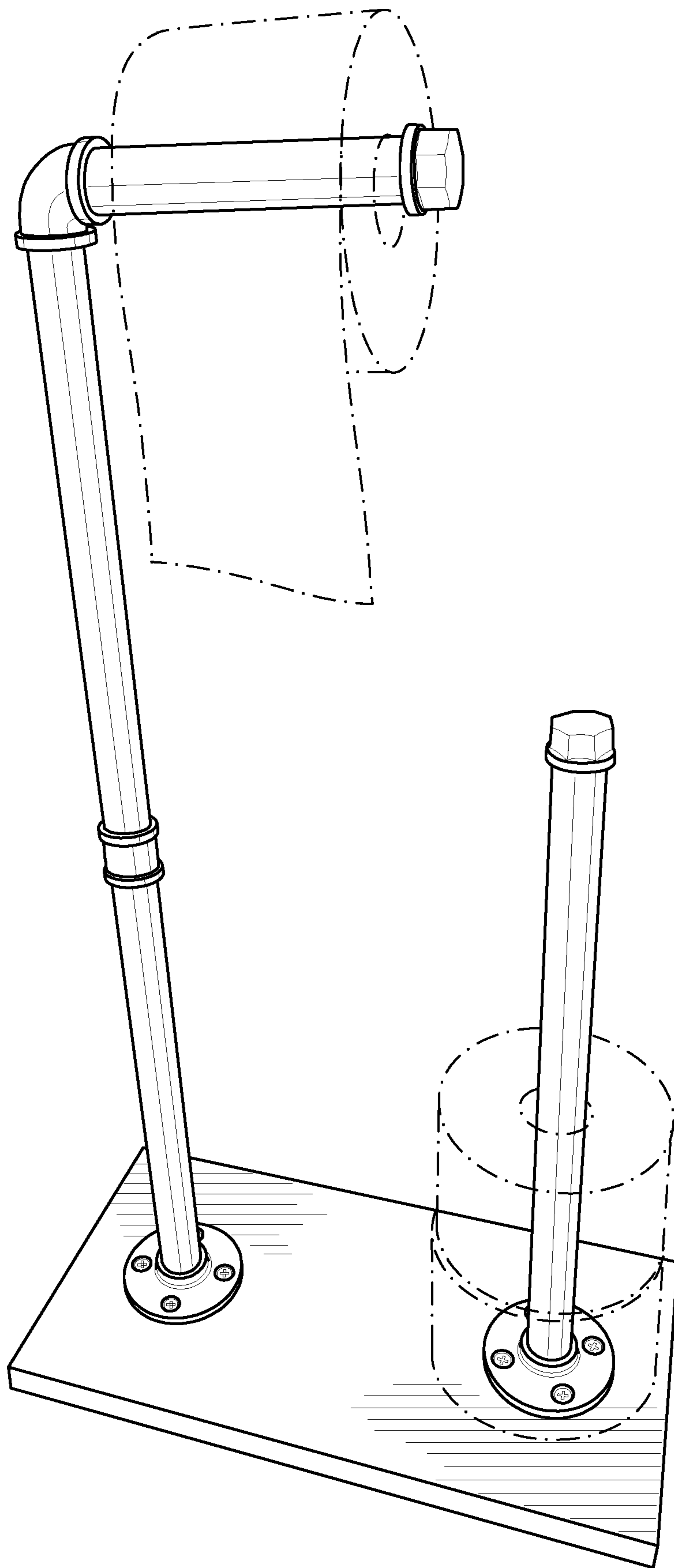


FIG. 1

FIG. 2

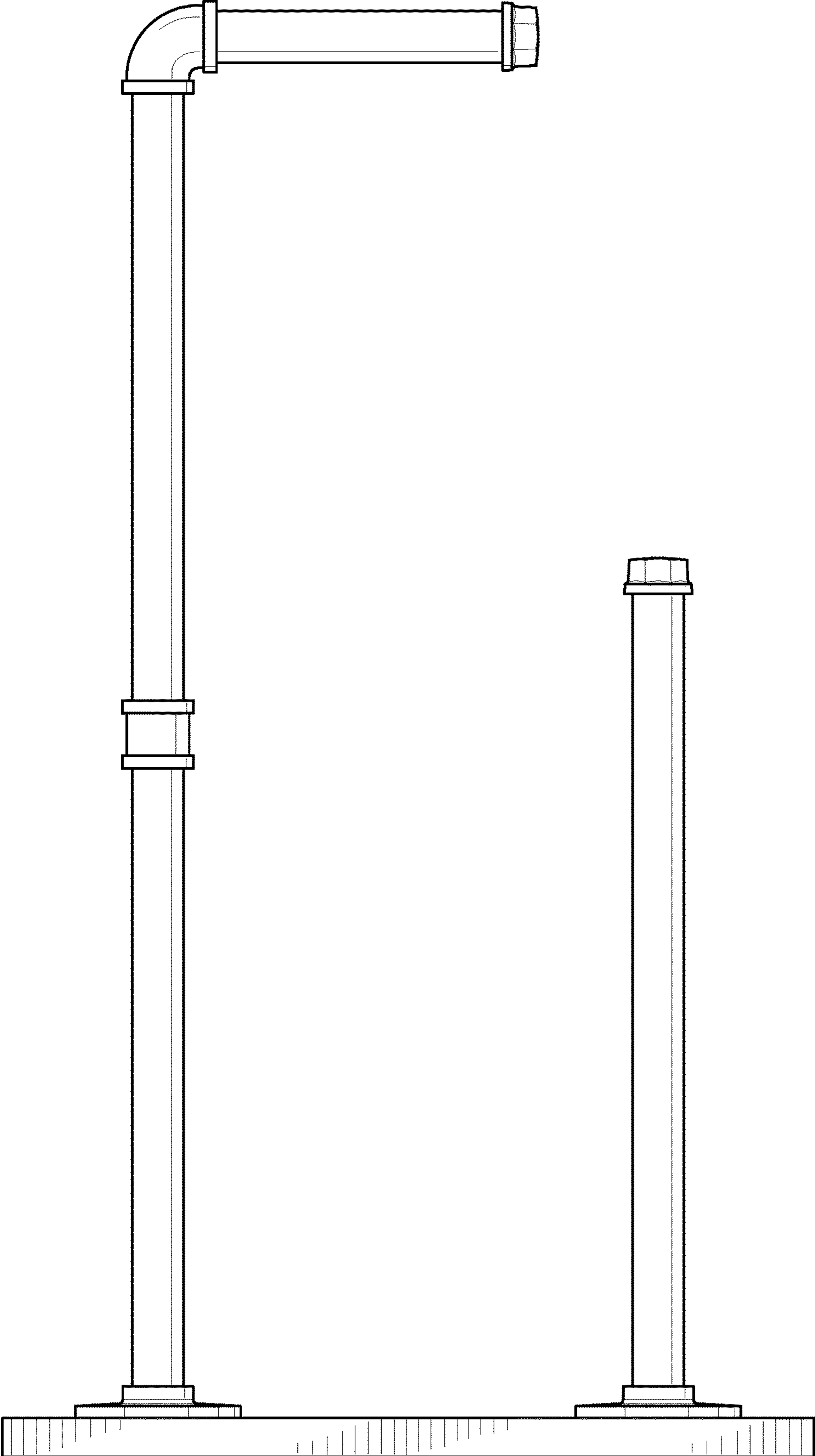
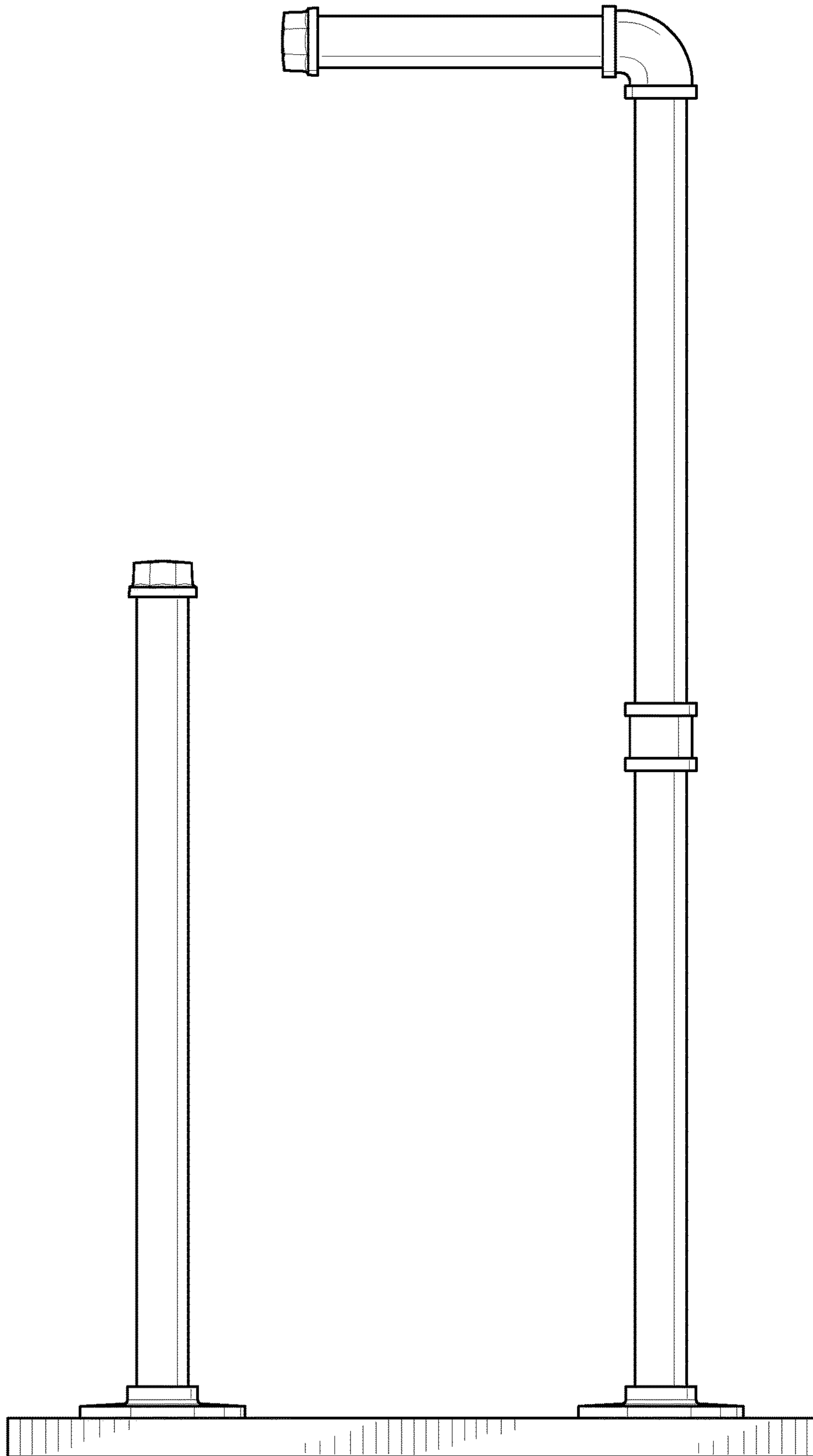
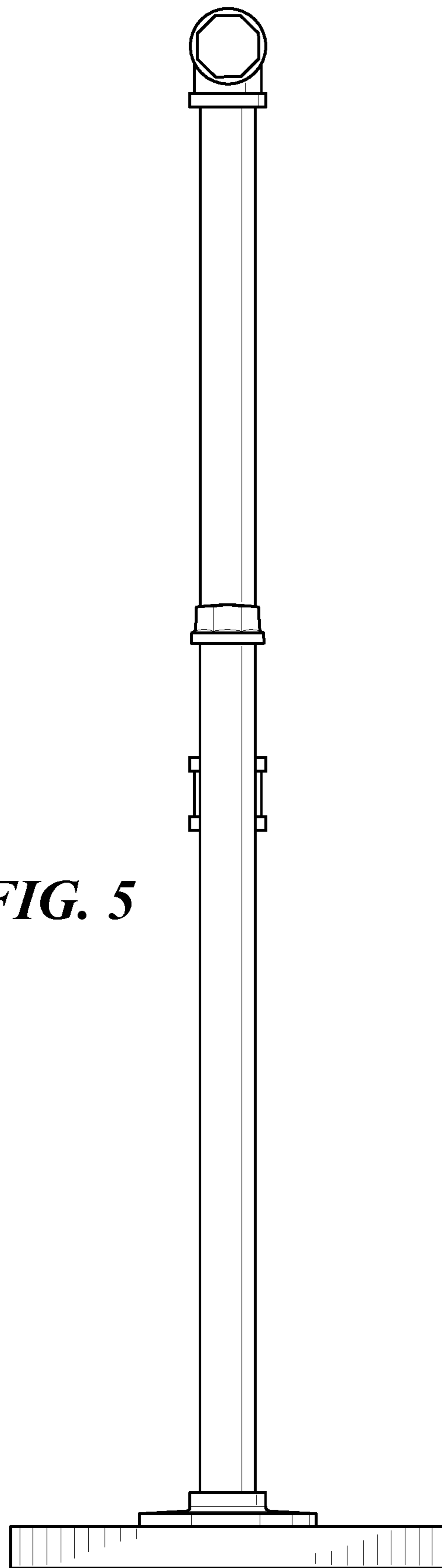
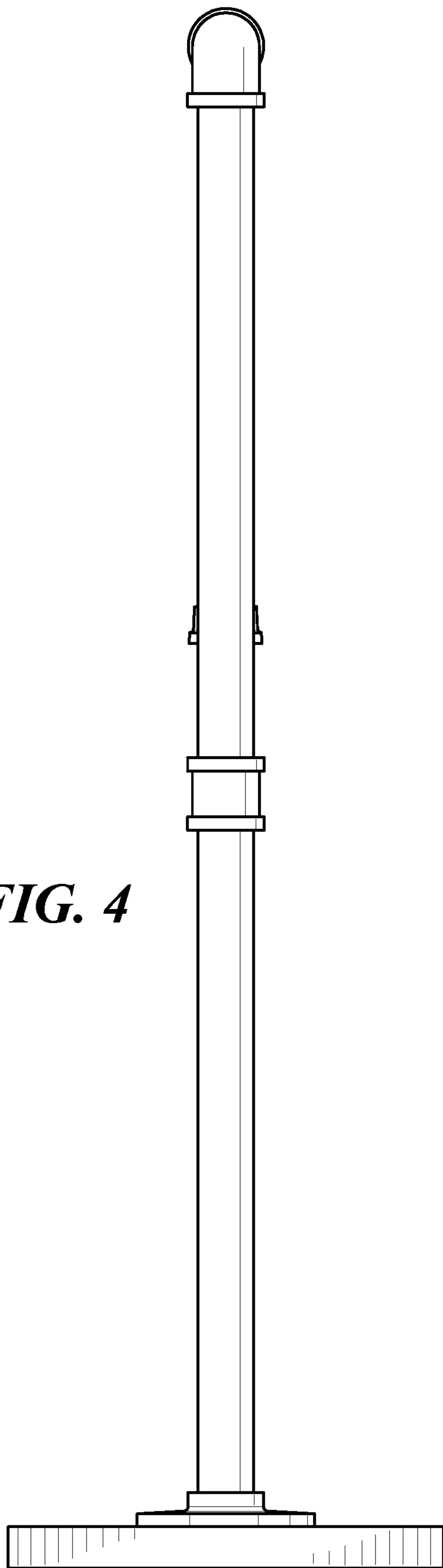


FIG. 3





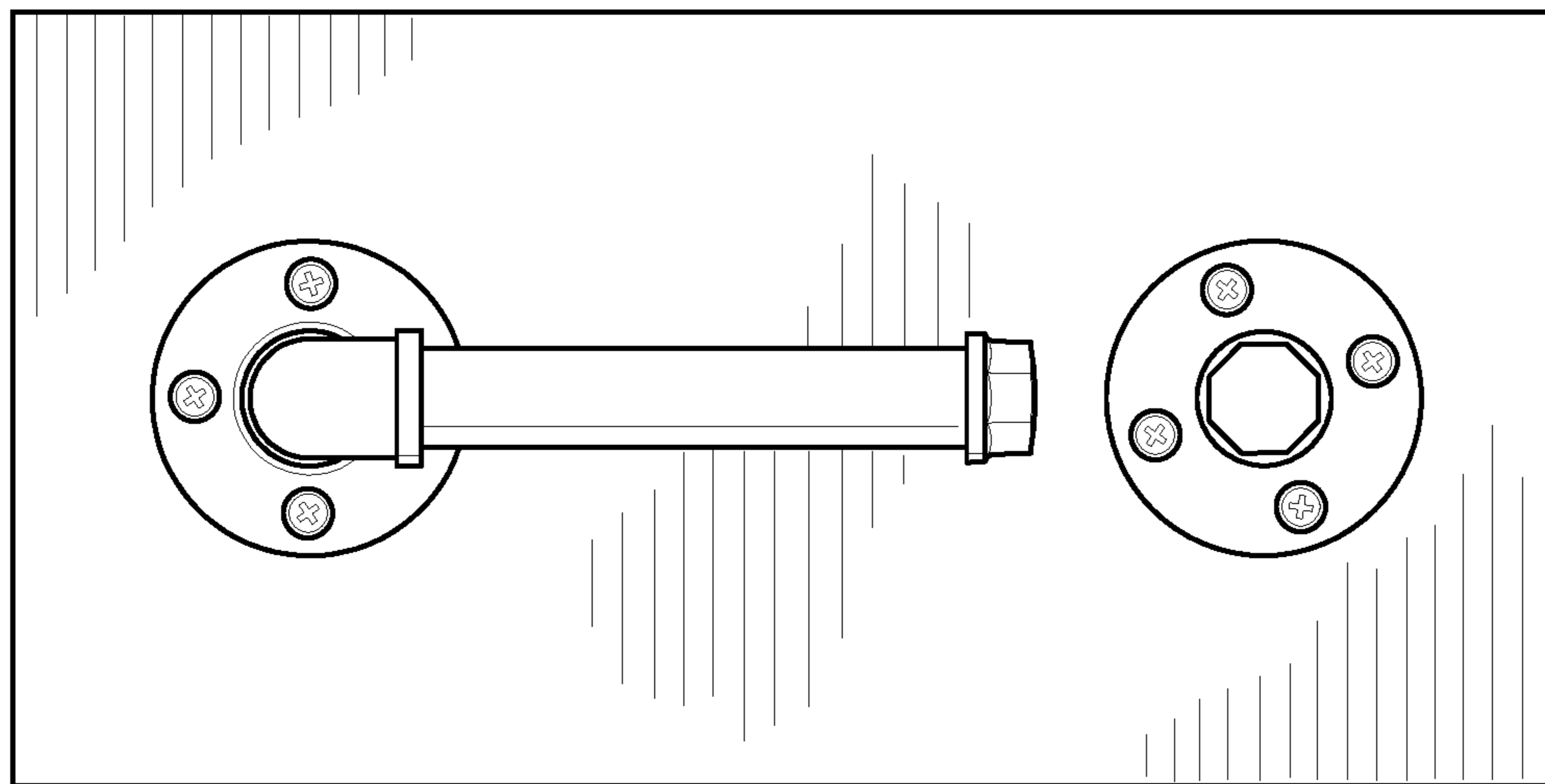


FIG. 6

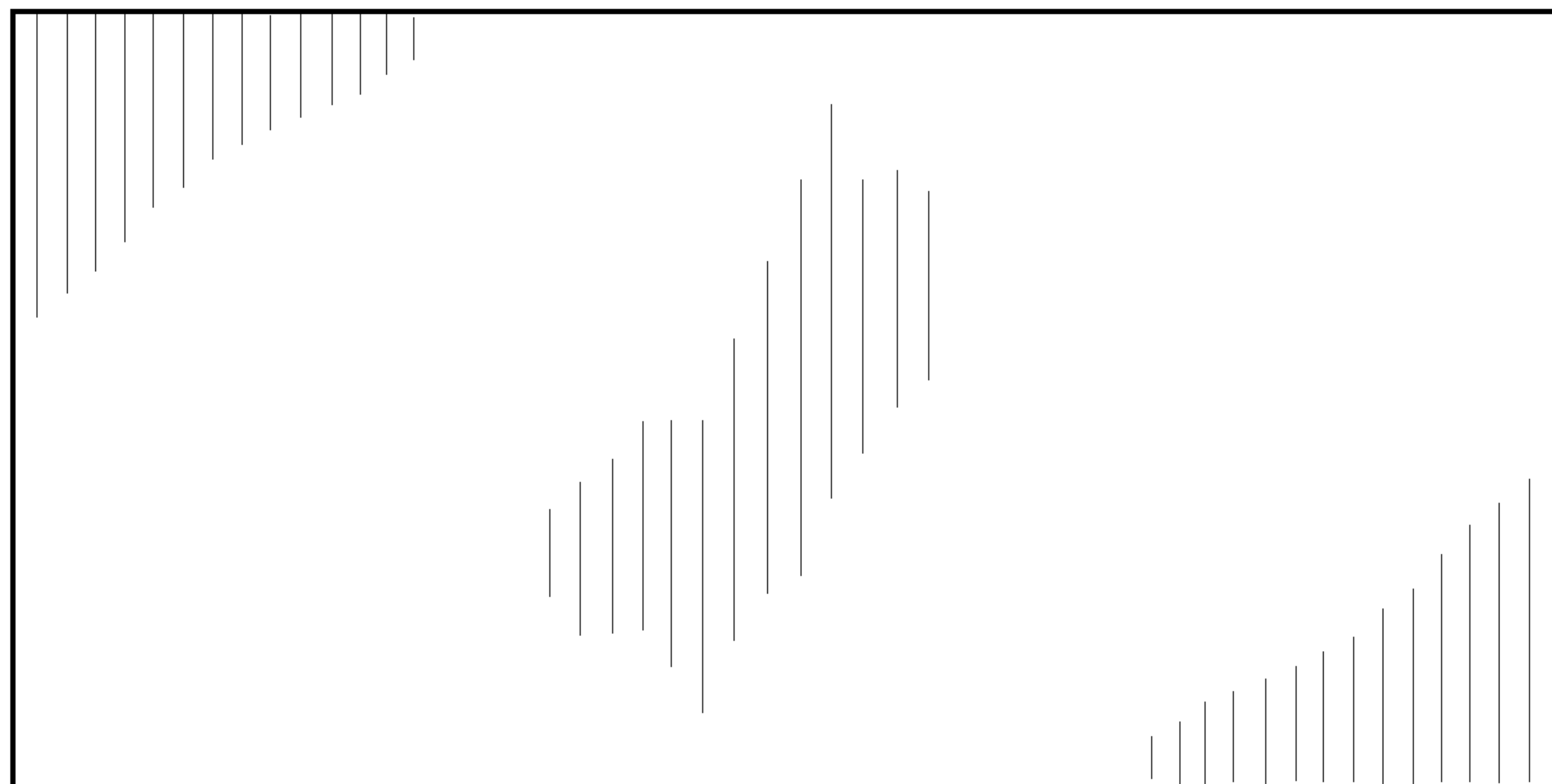


FIG. 7