



US00D895314S

(12) **United States Design Patent**  
**Dardashti**

(10) **Patent No.:** **US D895,314 S**  
(45) **Date of Patent:** **\*\* Sep. 8, 2020**

(54) **CHAIR**

(71) Applicant: **Shahram Dardashti**, Beverly Hills, CA (US)

(72) Inventor: **Shahram Dardashti**, Beverly Hills, CA (US)

(\*\*) Term: **15 Years**

(21) Appl. No.: **29/695,468**

(22) Filed: **Jun. 19, 2019**

(51) **LOC (12) Cl.** ..... **06-01**

(52) **U.S. Cl.**  
USPC ..... **D6/370**

(58) **Field of Classification Search**  
USPC ..... D6/334, 349, 360, 362, 374-377, 379, D6/381, 716, 716.1, 719.3  
CPC .. A47C 1/00; A47C 1/02; A47C 1/024; A47C 1/028; A47C 1/037; A47C 3/00; A47C 3/04; A47C 3/14; A47C 3/20; A47C 7/002; A47C 7/16; A47C 7/18; A47C 4/04; A47C 4/08; A47C 4/18; A47C 4/28; A47C 4/54; A47C 11/00; A47C 9/007; A47C 13/00; A47C 15/002; A47C 17/02; A47C 31/11

See application file for complete search history.

(56) **References Cited**

**U.S. PATENT DOCUMENTS**

D181,215 S \* 10/1957 Lubberts et al. .... D6/379  
D234,064 S \* 1/1975 Noda et al. .... D6/379

D235,496 S \* 6/1975 Noda et al. .... D6/379  
D324,786 S \* 3/1992 Saiger ..... D6/370  
D422,423 S \* 4/2000 Lin ..... D6/369  
D474,621 S \* 5/2003 Pessa ..... D6/379  
D481,214 S \* 10/2003 Chalmers ..... D6/360  
D491,379 S \* 6/2004 Vanderminden, Sr. .... D6/370  
D502,613 S \* 3/2005 Piretti ..... A47C 7/405  
D513,889 S \* 1/2006 Peterson ..... D6/334  
D655,934 S \* 3/2012 Nigro ..... D6/376  
D724,859 S \* 3/2015 Young ..... D6/379  
D796,860 S \* 9/2017 Tran ..... D6/375

\* cited by examiner

*Primary Examiner* — R. Johnson

(74) *Attorney, Agent, or Firm* — Jeffrey G. Sheldon; Cisló & Thomas LLP

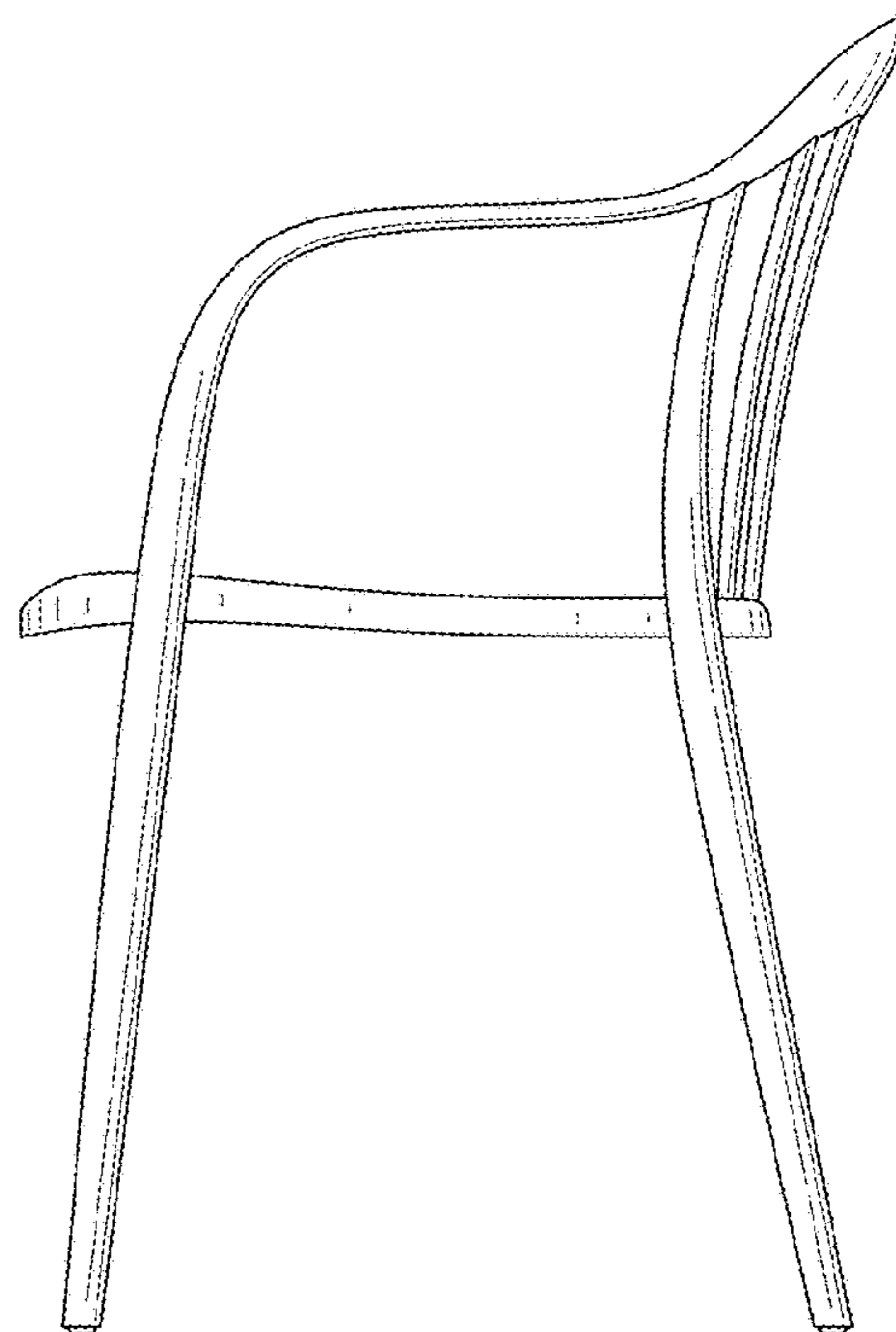
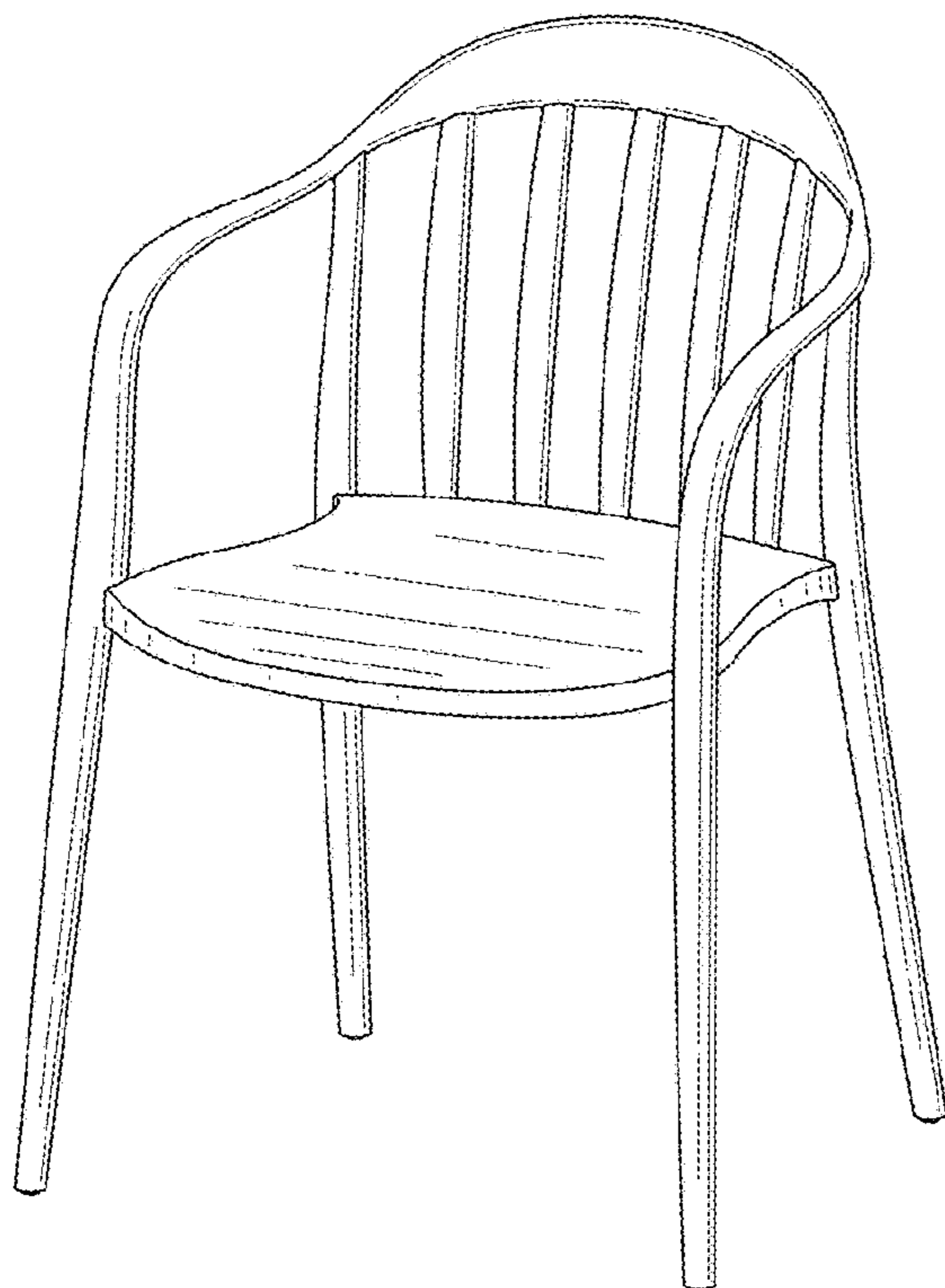
(57) **CLAIM**

The ornamental design for a chair, as shown and described.

**DESCRIPTION**

FIG. 1 is a perspective view of the invention; FIG. 2 is a right side elevation view; the left side elevation view being a mirror image thereof; FIG. 3 is front elevation view of the version of the invention; FIG. 4 is a rear elevation view of the invention; FIG. 5 is a top plan view of the version of FIG. 1; and, FIG. 6 is a bottom plan view of the version of FIG. 1.

**1 Claim, 3 Drawing Sheets**



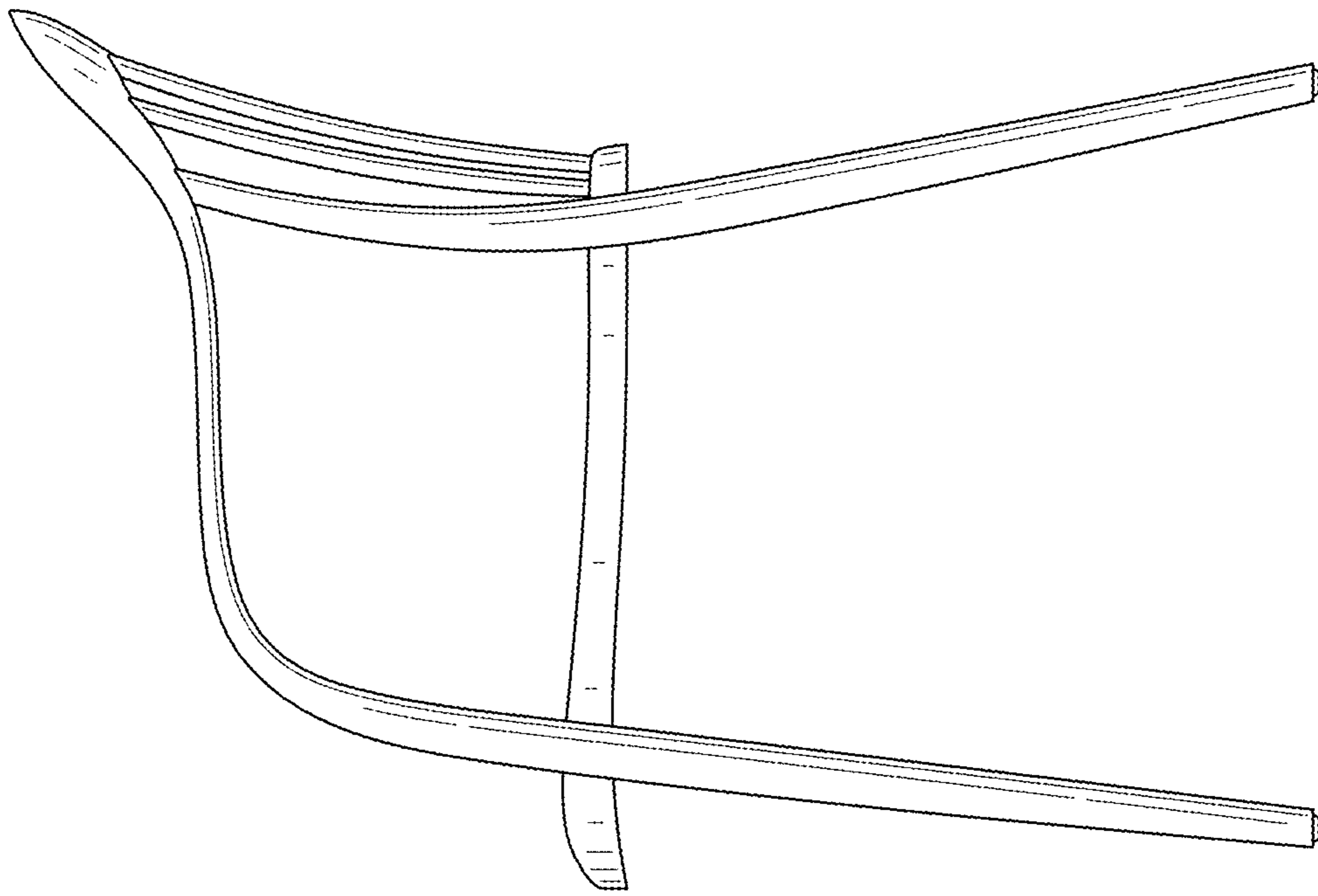


FIG. 2

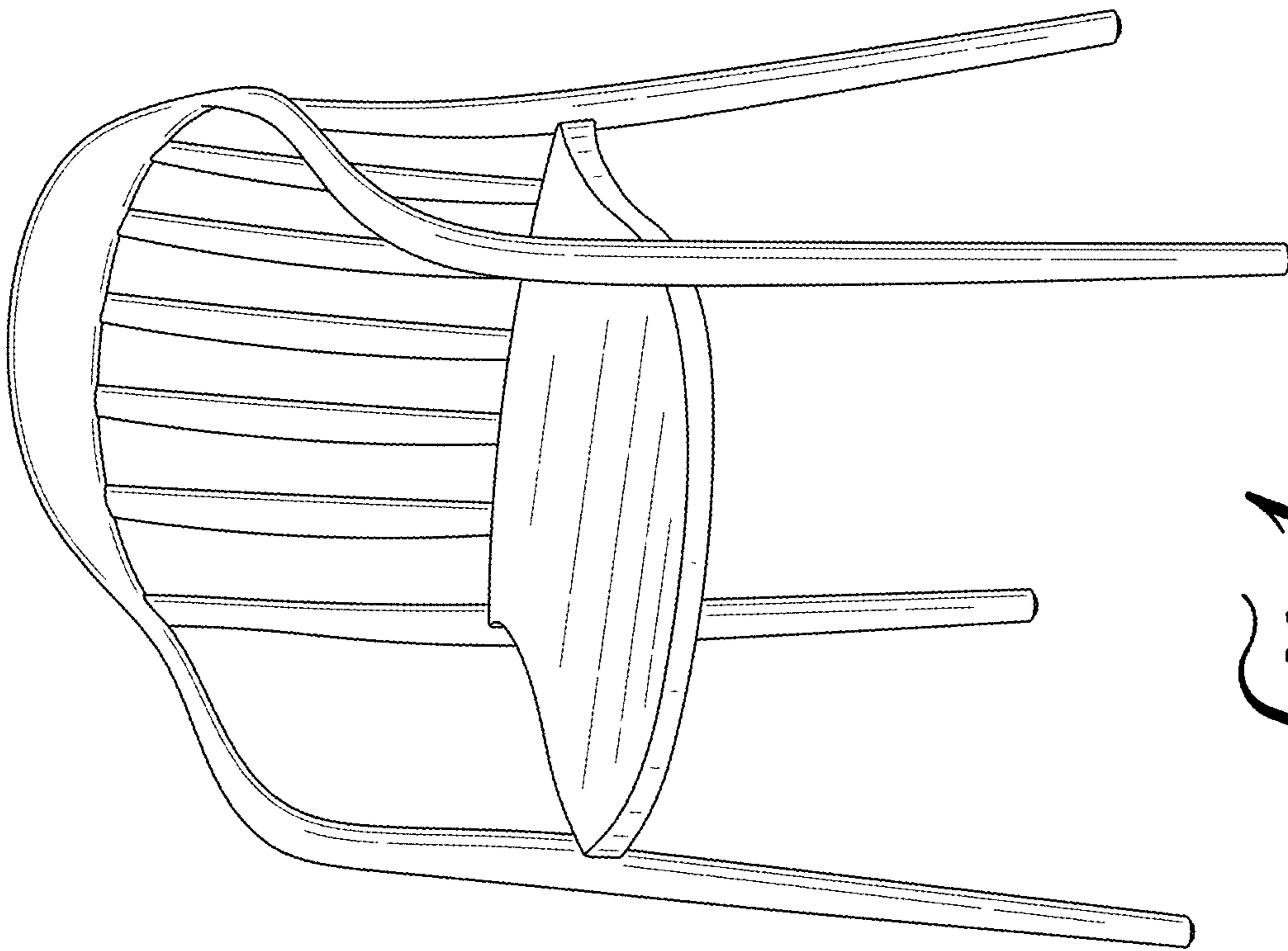


FIG. 1

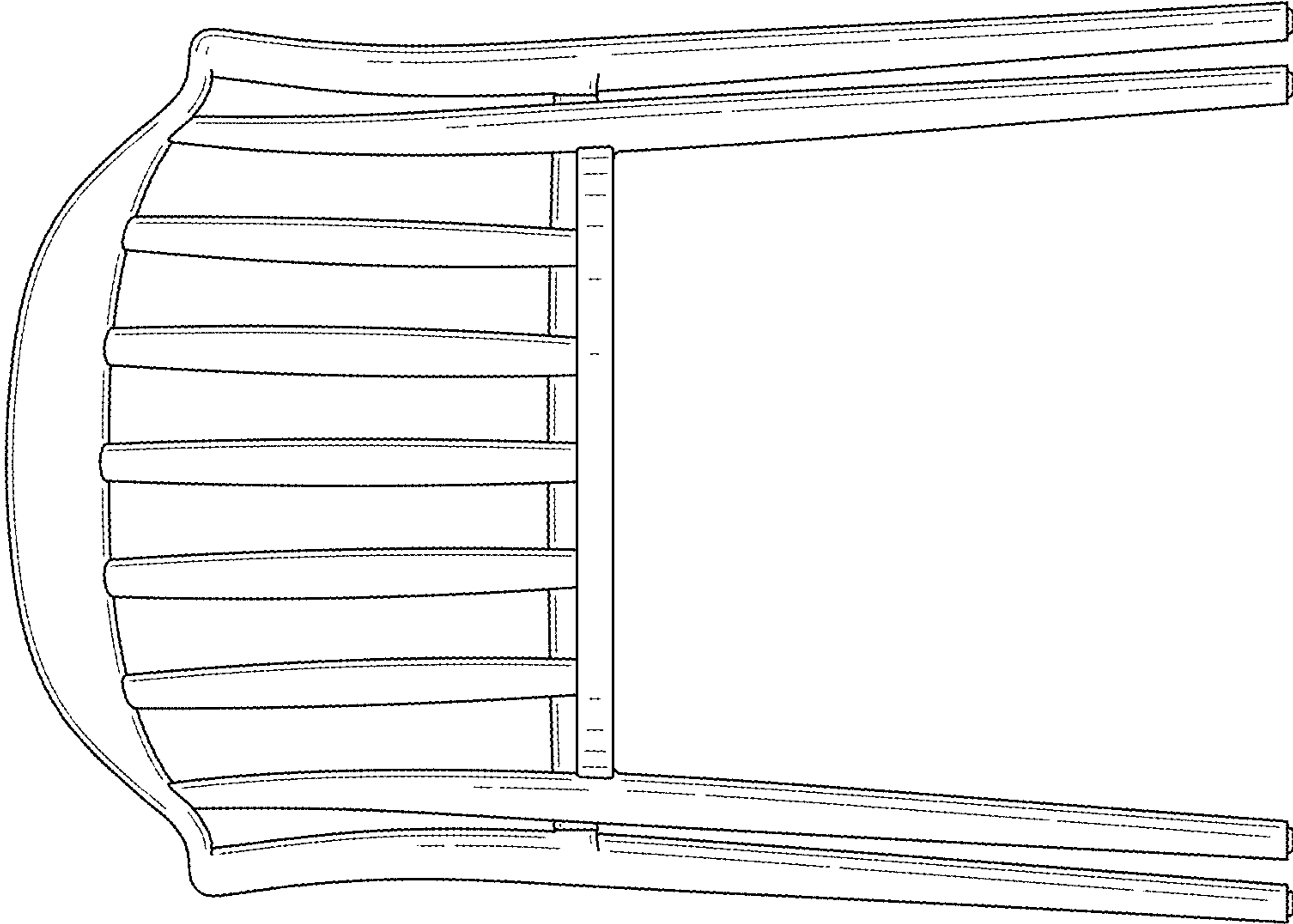


FIG. 4

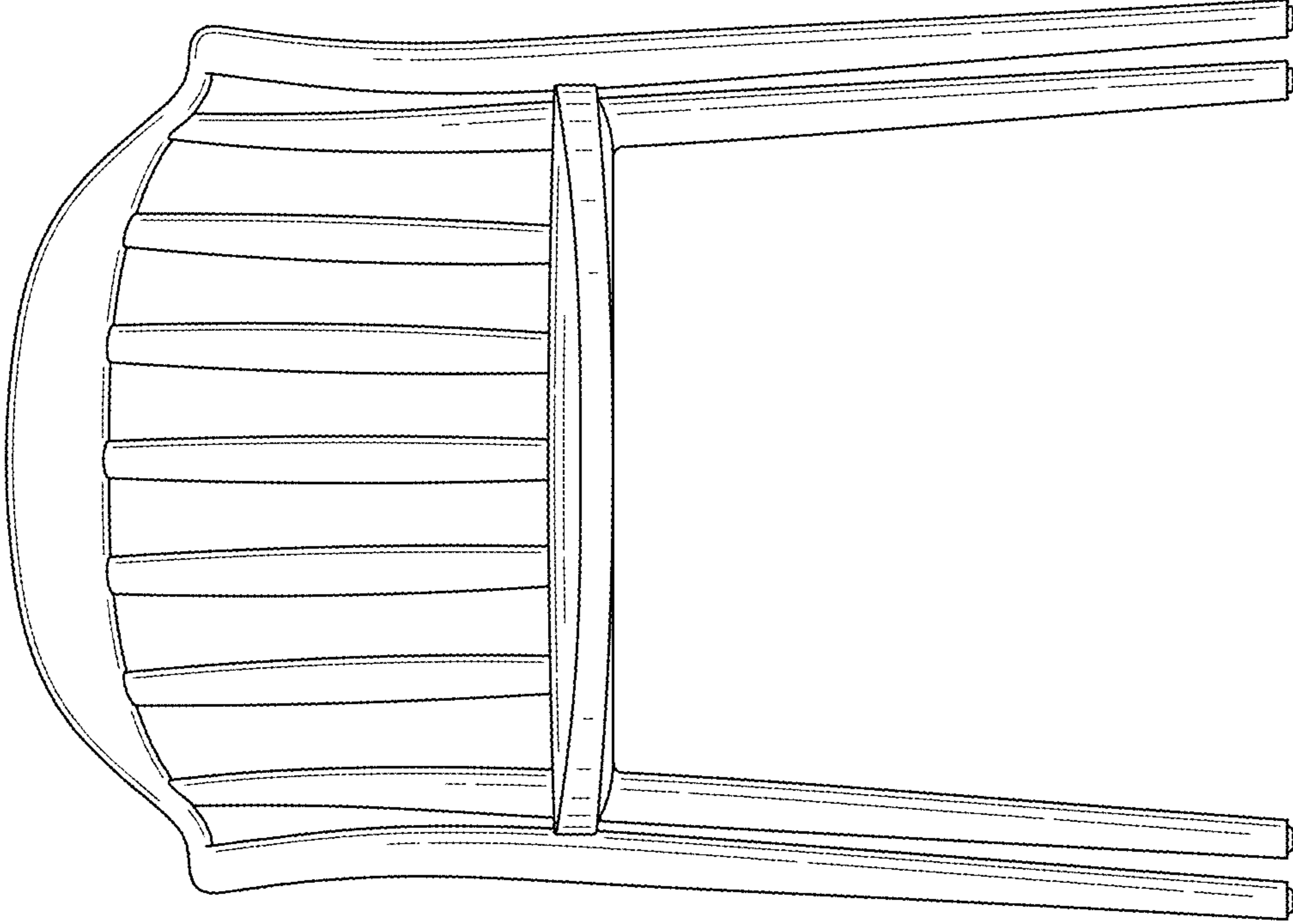


FIG. 3

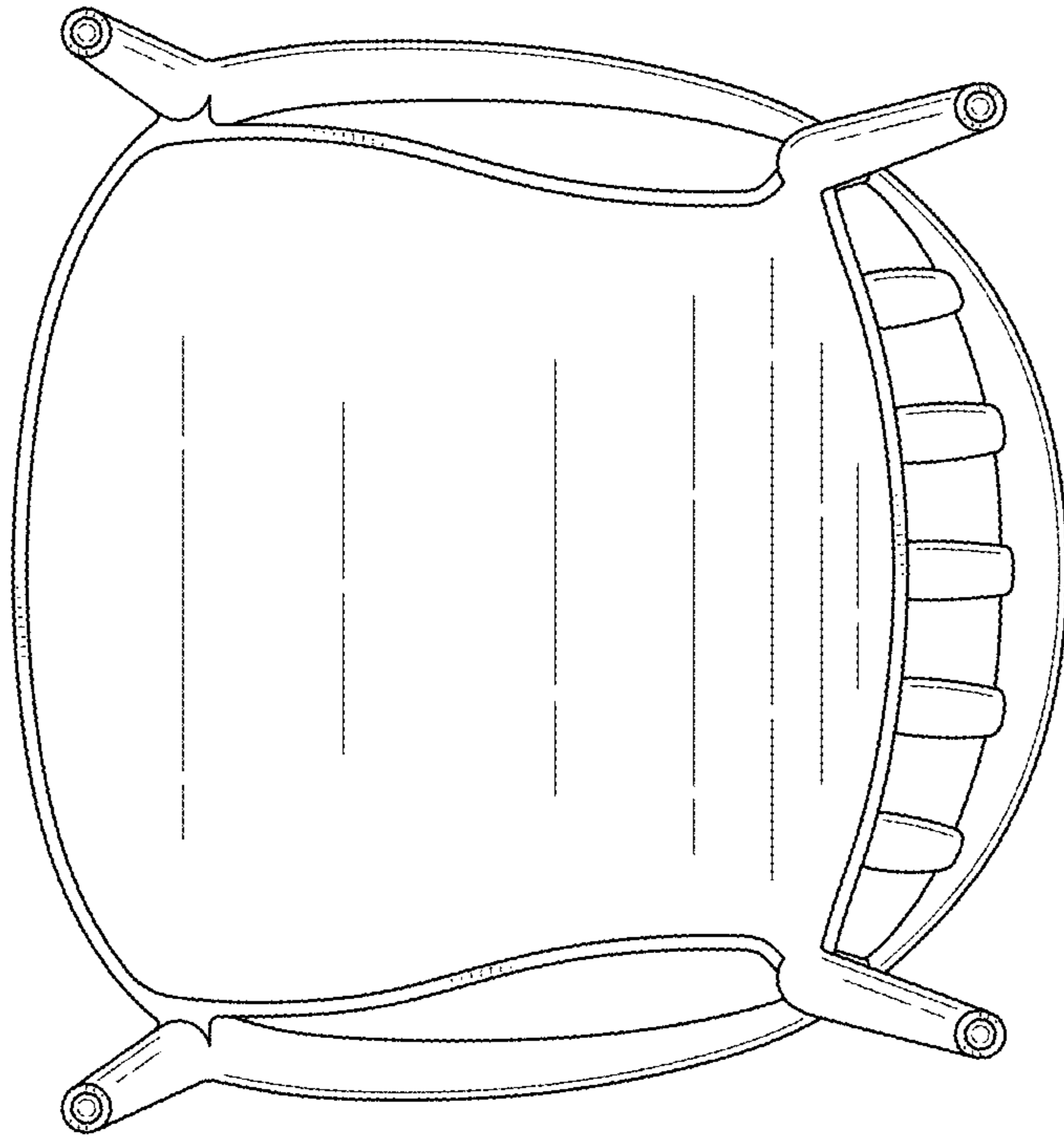


FIG. 6

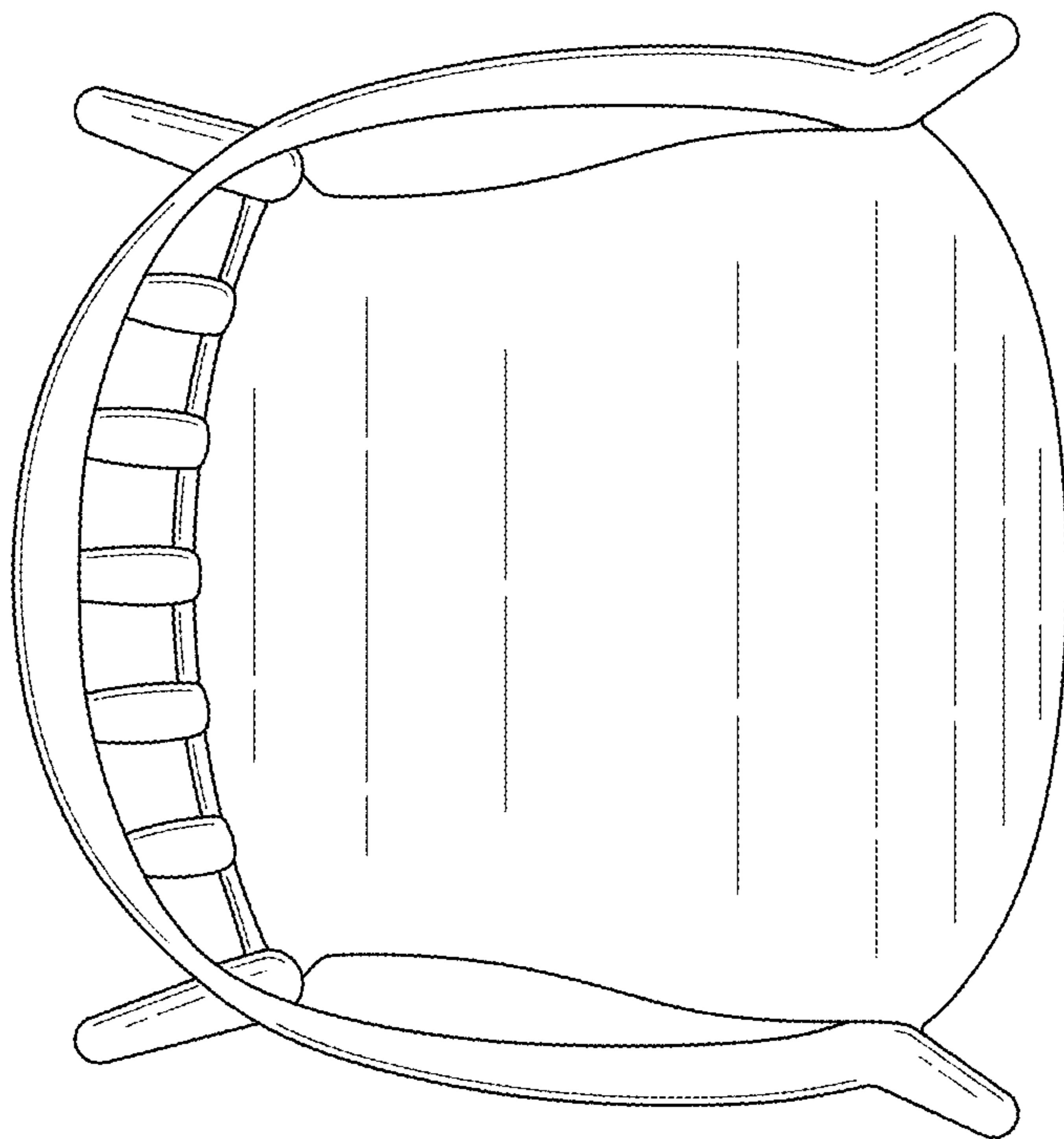


FIG. 5