



US00D895313S

(12) **United States Design Patent**
Izawa

(10) **Patent No.:** **US D895,313 S**

(45) **Date of Patent:** **** Sep. 8, 2020**

(54) **CHAIR**

(71) Applicant: **Okamura Corporation**, Yokohama-shi,
Kanagawa (JP)

(72) Inventor: **Syouichi Izawa**, Yokohama (JP)

(73) Assignee: **Okamura Corporation**, Yokohama-shi,
Kanagawa (JP)

(**) Term: **15 Years**

(21) Appl. No.: **29/641,855**

(22) Filed: **Mar. 26, 2018**

(30) **Foreign Application Priority Data**

Sep. 29, 2017 (JP) 2017-021608

(51) **LOC (12) Cl.** **06-01**

(52) **U.S. Cl.**
USPC **D6/366**

(58) **Field of Classification Search**

USPC D6/334-336, 364, 365, 366, 367, 374,
D6/379, 716, 716.1, 716.4

CPC A47C 7/004; A47C 7/006; A47C 7/18;
A47C 7/24; A47C 7/40; A47C 7/46

See application file for complete search history.

(56) **References Cited**

U.S. PATENT DOCUMENTS

D369,489 S * 5/1996 McDiarmid D6/366
D441,993 S * 5/2001 Lin D6/366

D463,173 S * 9/2002 Chi D6/366
D494,788 S * 8/2004 True D6/366
D495,170 S * 8/2004 True D6/366
D495,907 S * 9/2004 True D6/366
D600,952 S * 9/2009 Pearson D6/716.4
D622,523 S * 8/2010 Laframboise D6/716.4
D726,470 S * 4/2015 Itou D6/716.4

* cited by examiner

Primary Examiner — Mimososa De

(74) *Attorney, Agent, or Firm* — Sughrue Mion, PLLC

(57) **CLAIM**

The ornamental design for a chair, as shown and described.

DESCRIPTION

FIG. 1 is a front perspective view of a chair.
FIG. 2 is a rear perspective view thereof.
FIG. 3 is a front elevation view thereof.
FIG. 4 is a rear elevation view thereof.
FIG. 5 is a right side elevation view thereof.
FIG. 6 is a left side elevation view thereof.
FIG. 7 is a top plan view thereof; and,
FIG. 8 is a bottom plan view thereof.
The broken lines shown in the drawings illustrate portions of the chair that form no part of the claimed design.

1 Claim, 8 Drawing Sheets

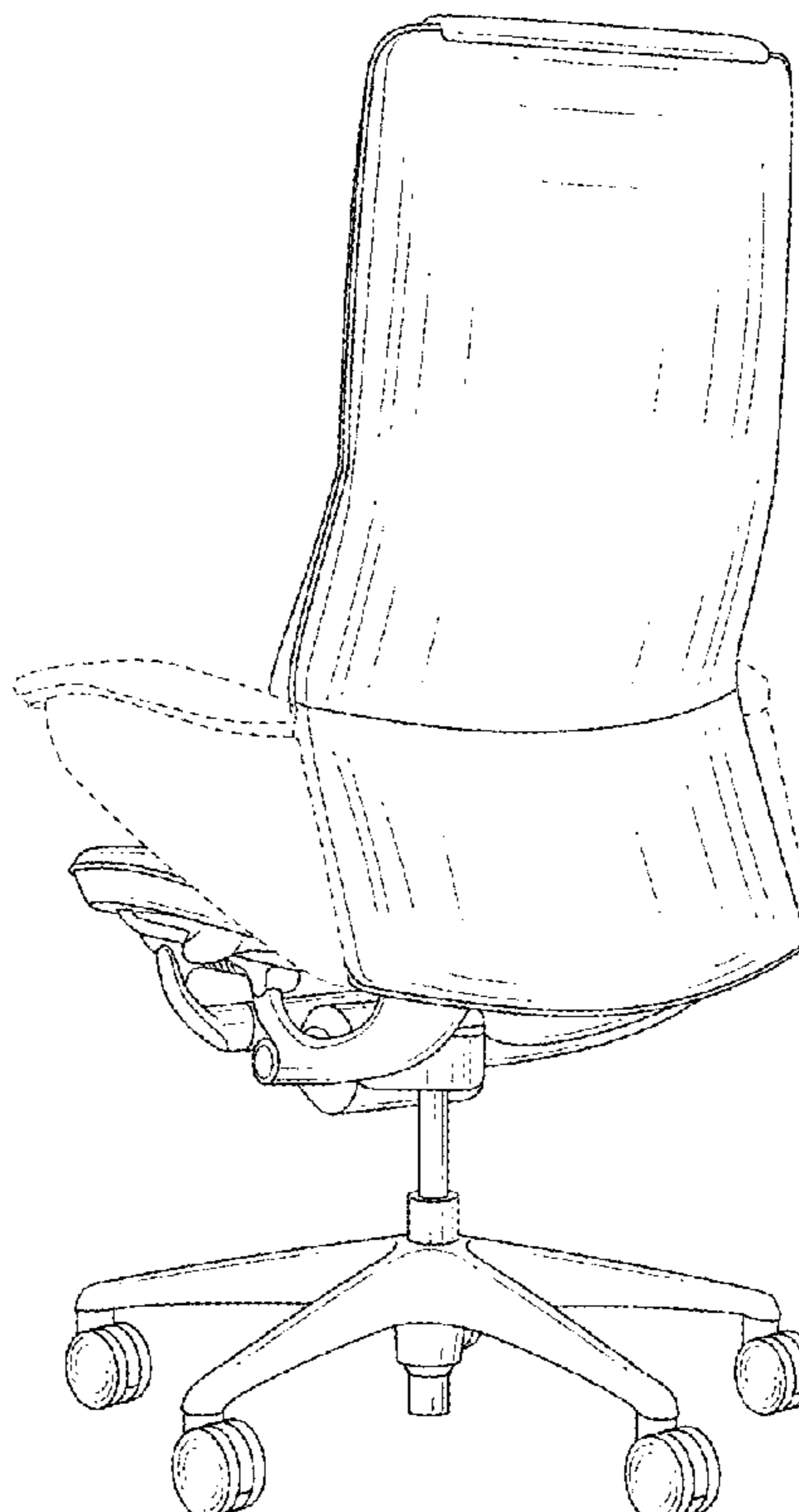
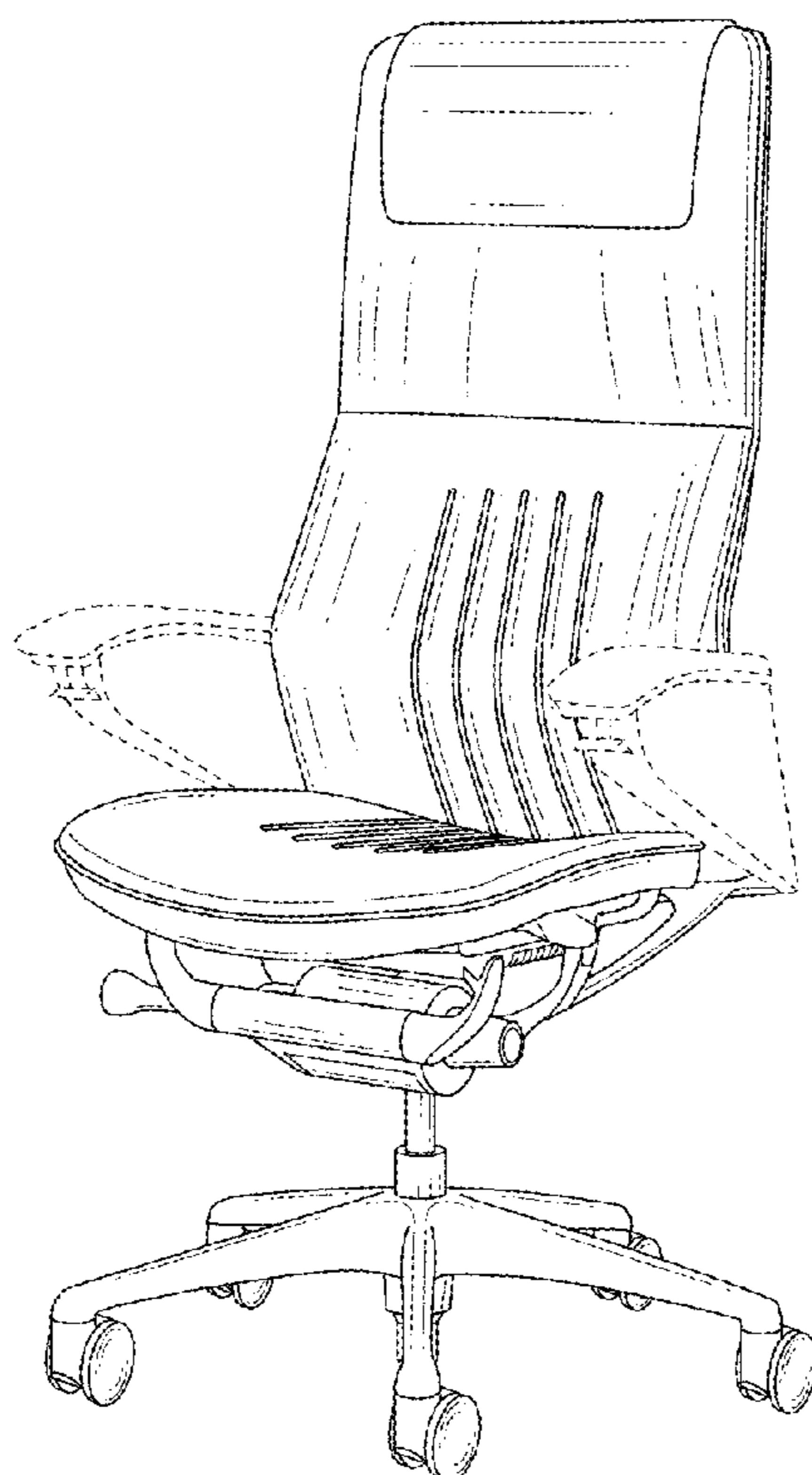


FIG. 1

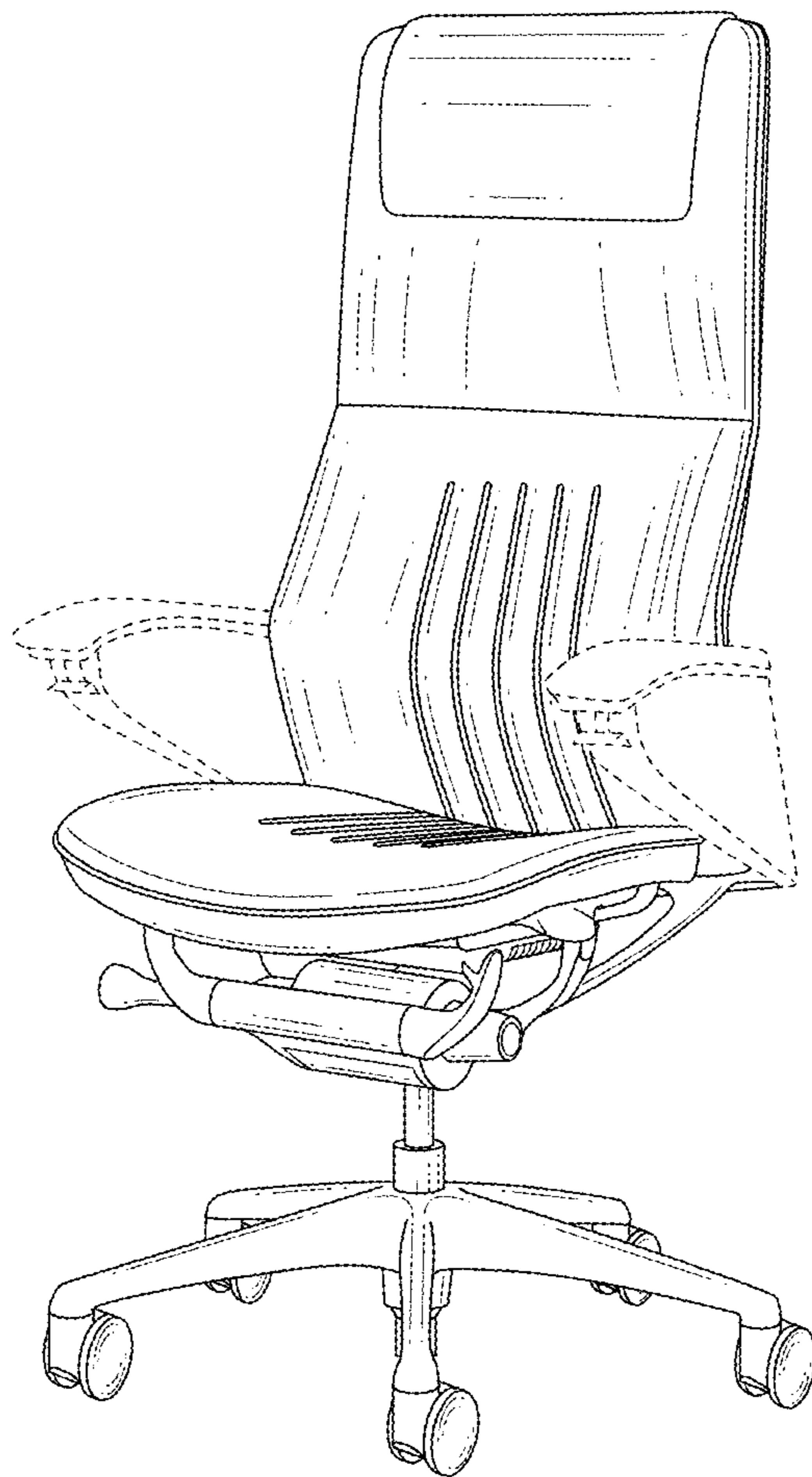


FIG. 2

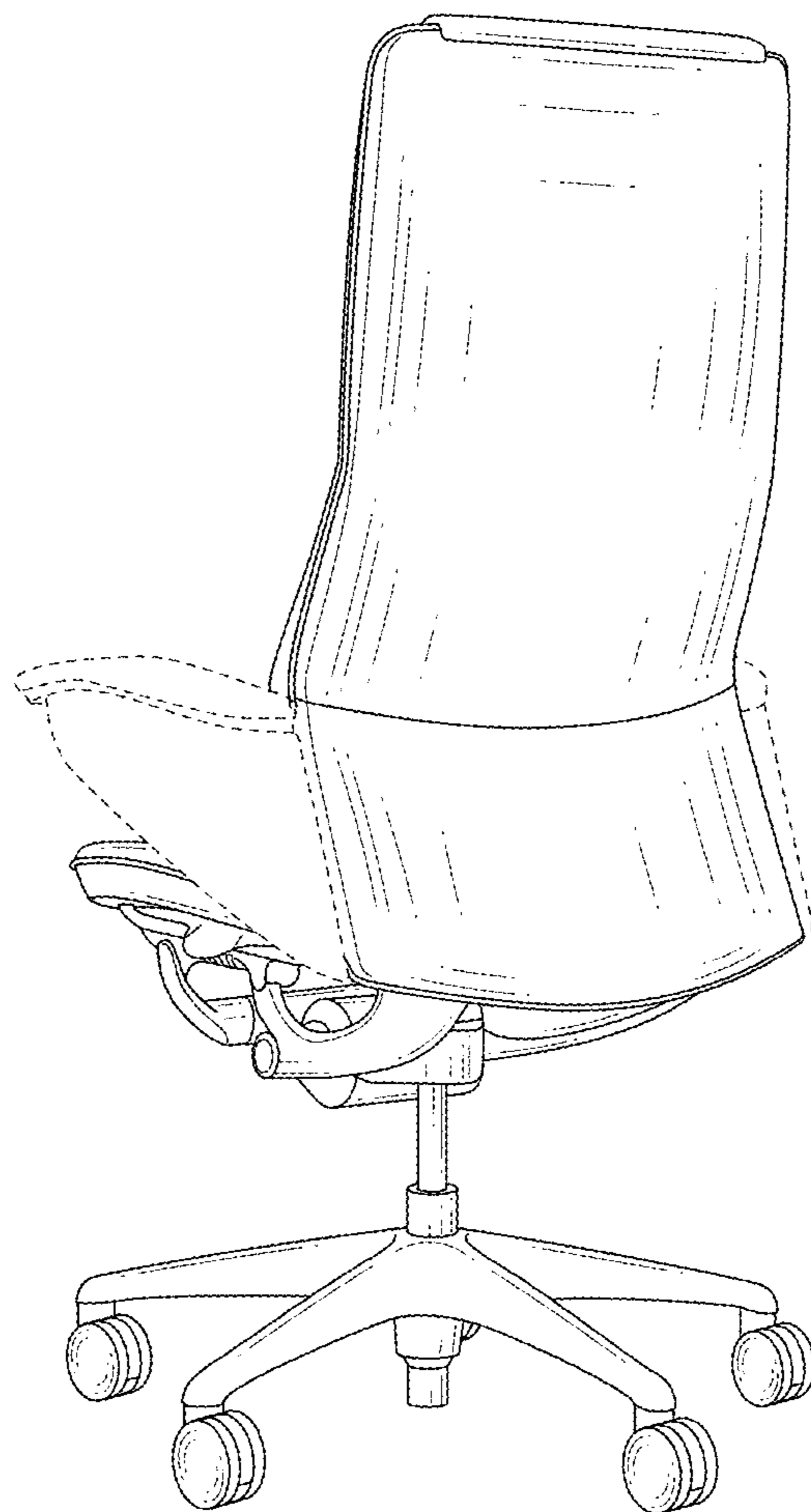


FIG. 3

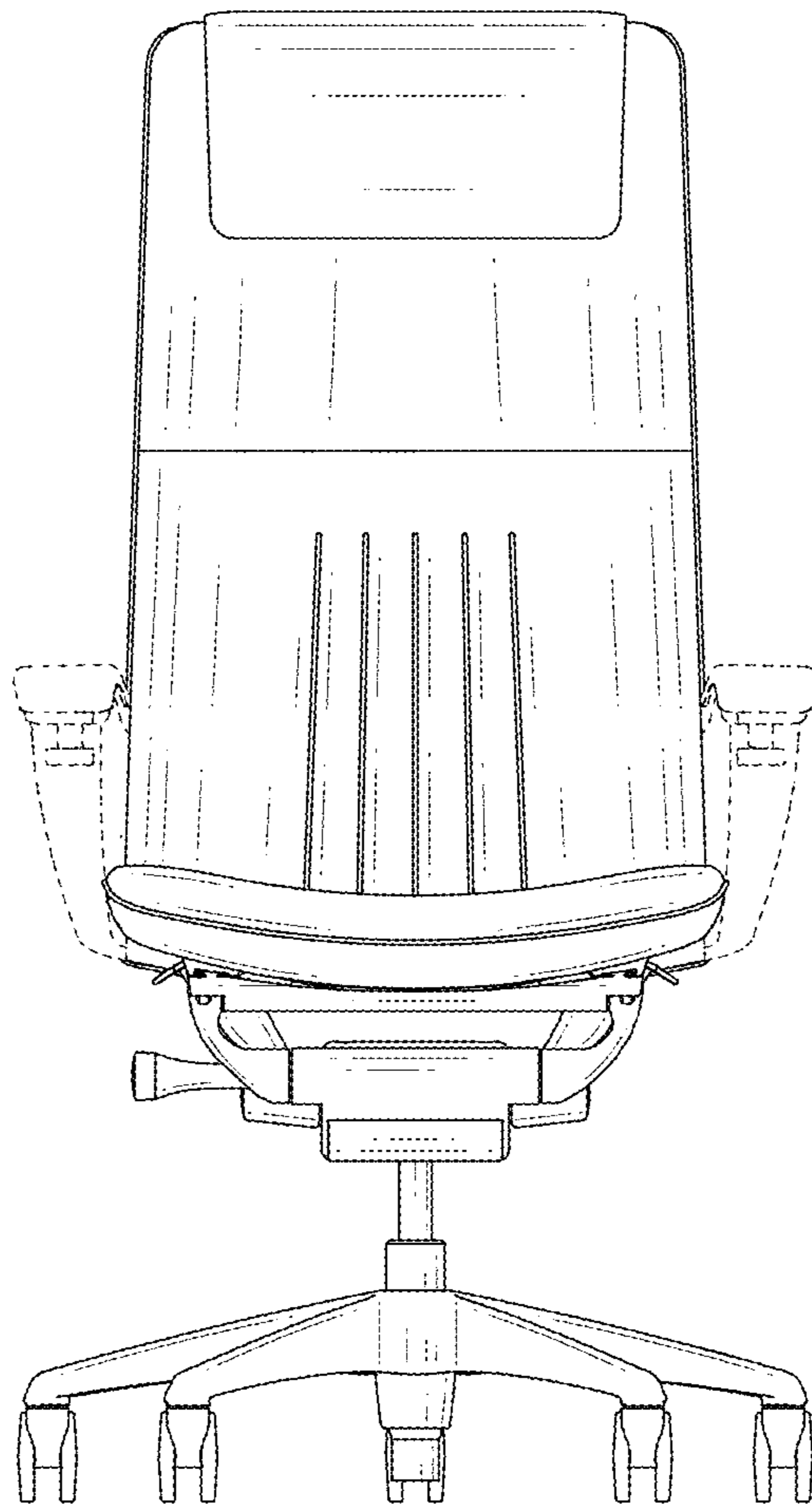


FIG. 4

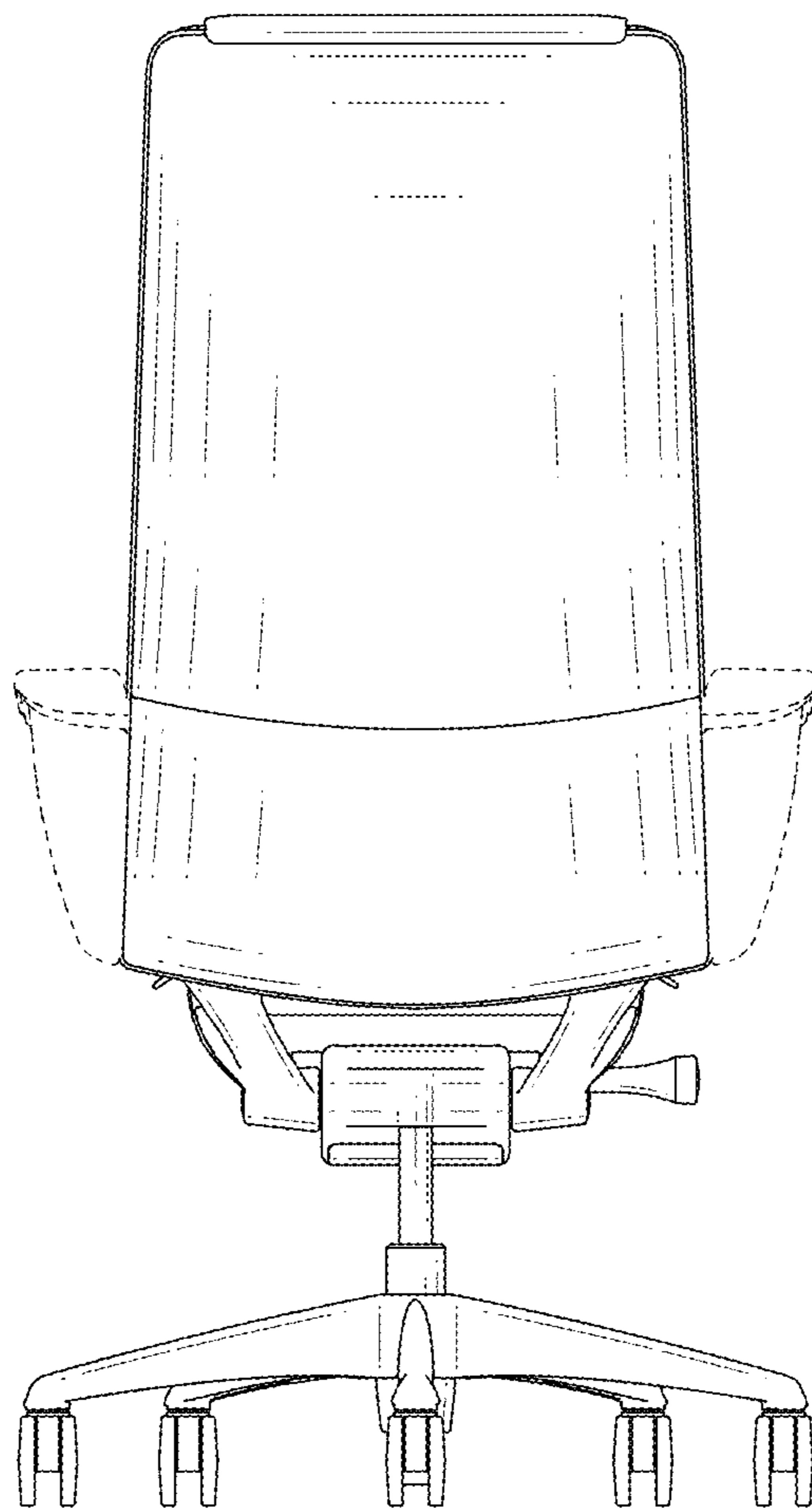


FIG. 5

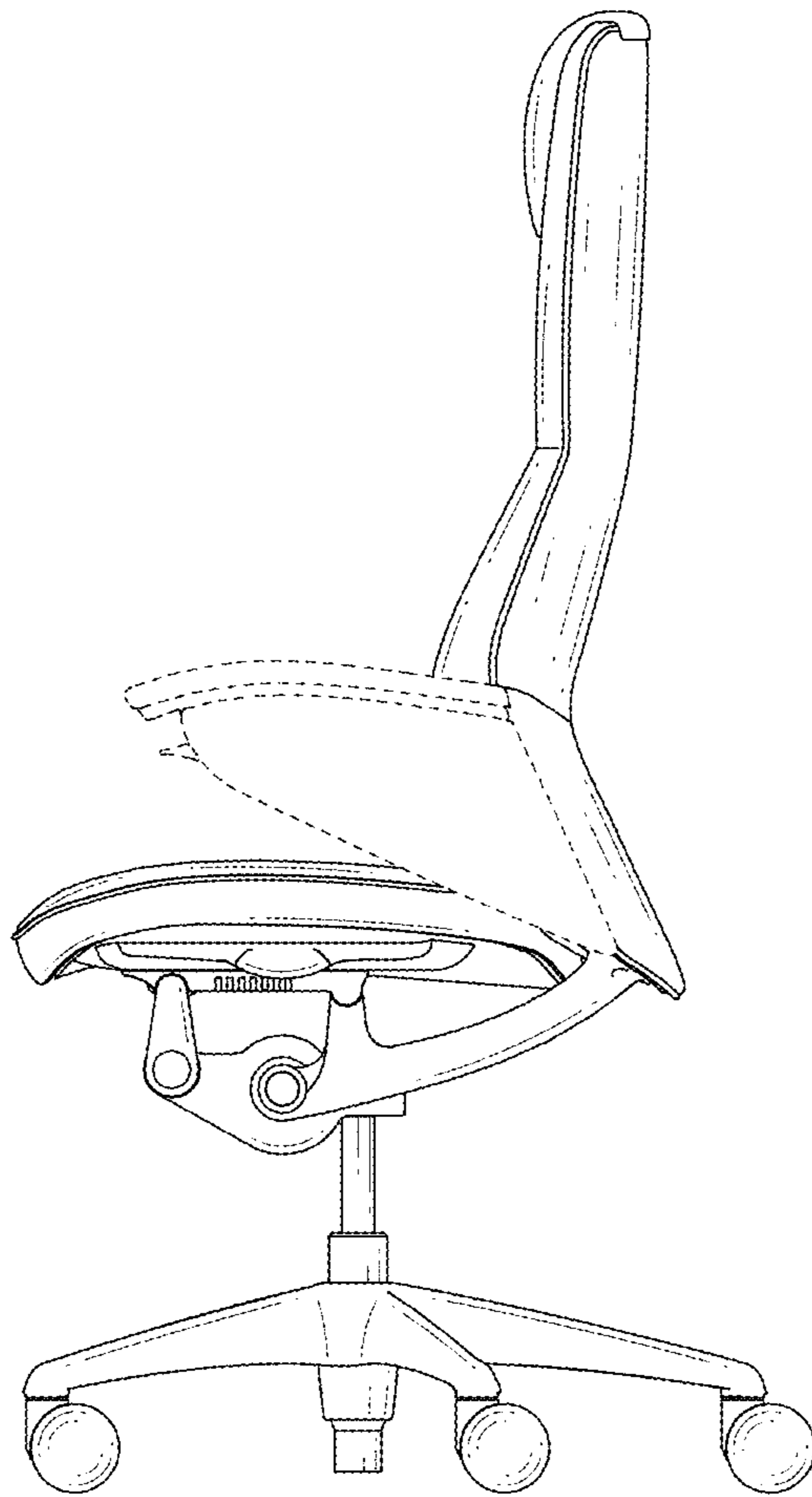


FIG. 6

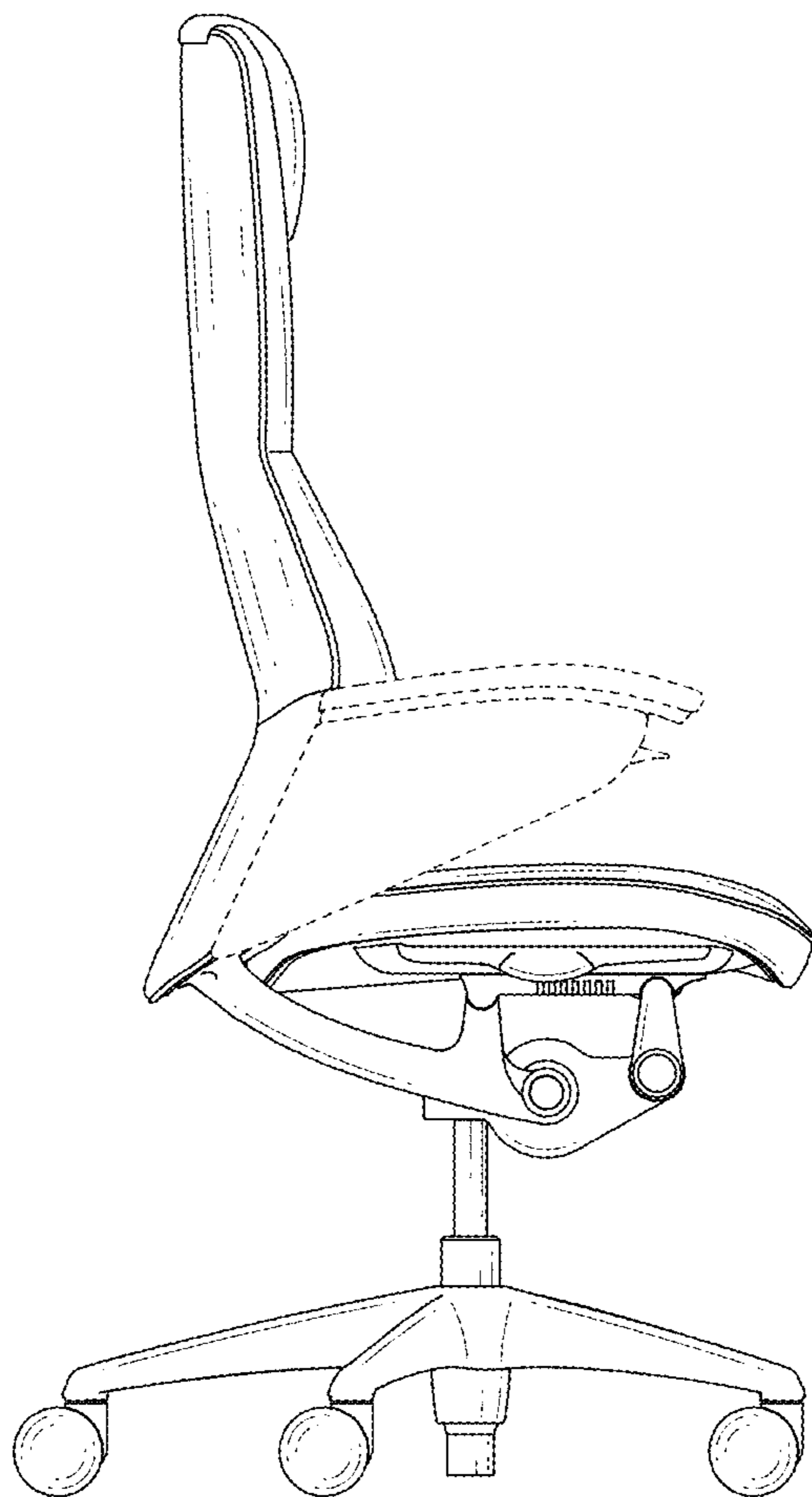


FIG. 7

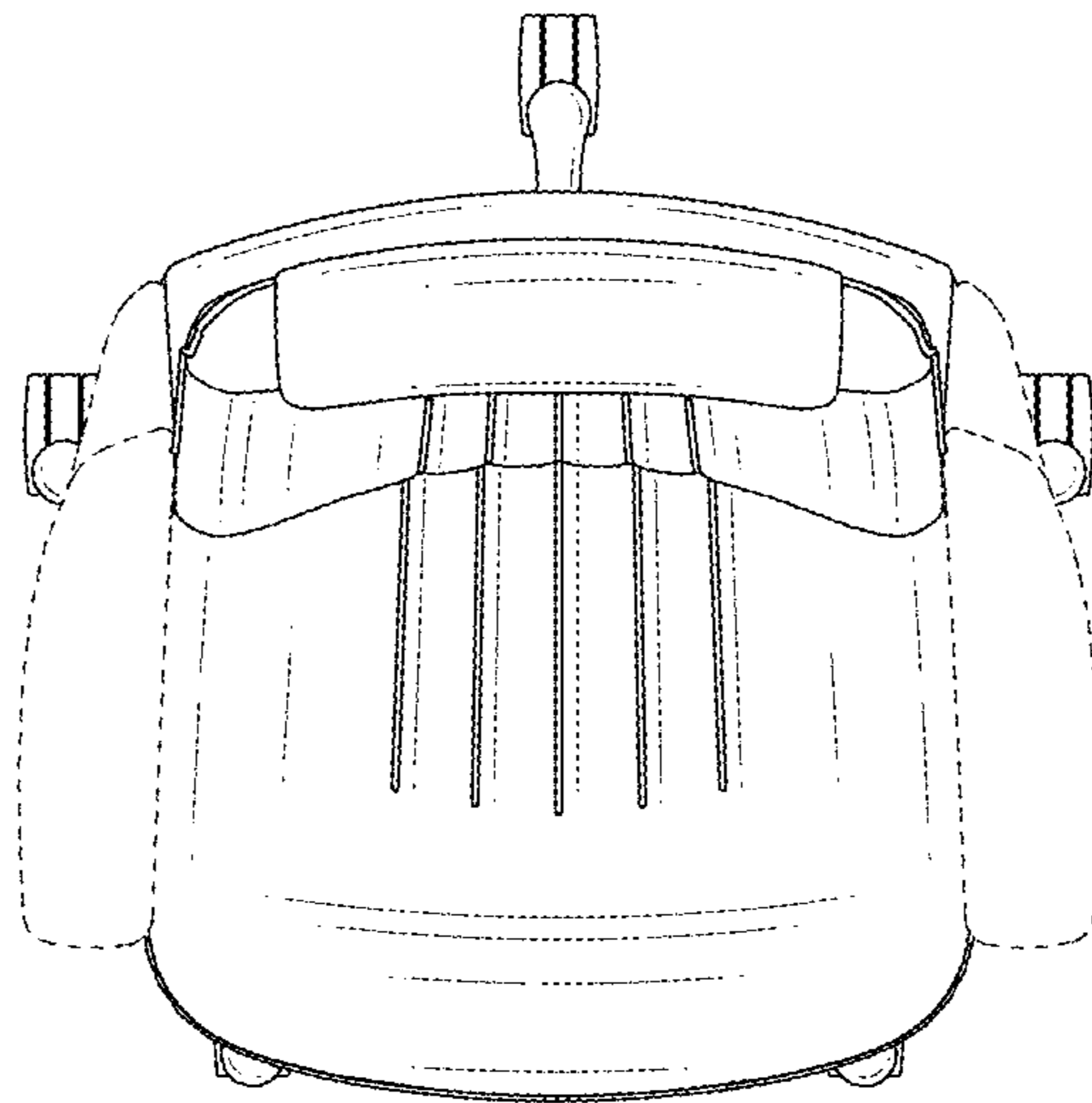


FIG. 8

