

US00D895312S

(12) **United States Design Patent** (10) **Patent No.:** **US D895,312 S**  
**Aung et al.** (45) **Date of Patent:** **\*\* Sep. 8, 2020**

(54) **LATERAL SLEEP APPARATUS**

(71) Applicant: **The Boeing Company**, Chicago (IL)

(72) Inventors: **Nyein Chan Aung**, Heidelberg (AU);  
**Mark Armstrong**, Yowie Bay (AU);  
**Arthur de Bono**, Williamstown (AU);  
**Robbie Napper**, Coburg (AU)

(73) Assignee: **THE BOEING COMPANY**, Chicago,  
IL (US)

(\*\*) Term: **15 Years**

(21) Appl. No.: **29/648,441**

(22) Filed: **May 21, 2018**

(51) **LOC (12) Cl.** ..... **06-01**

(52) **U.S. Cl.**  
USPC ..... **D6/356**

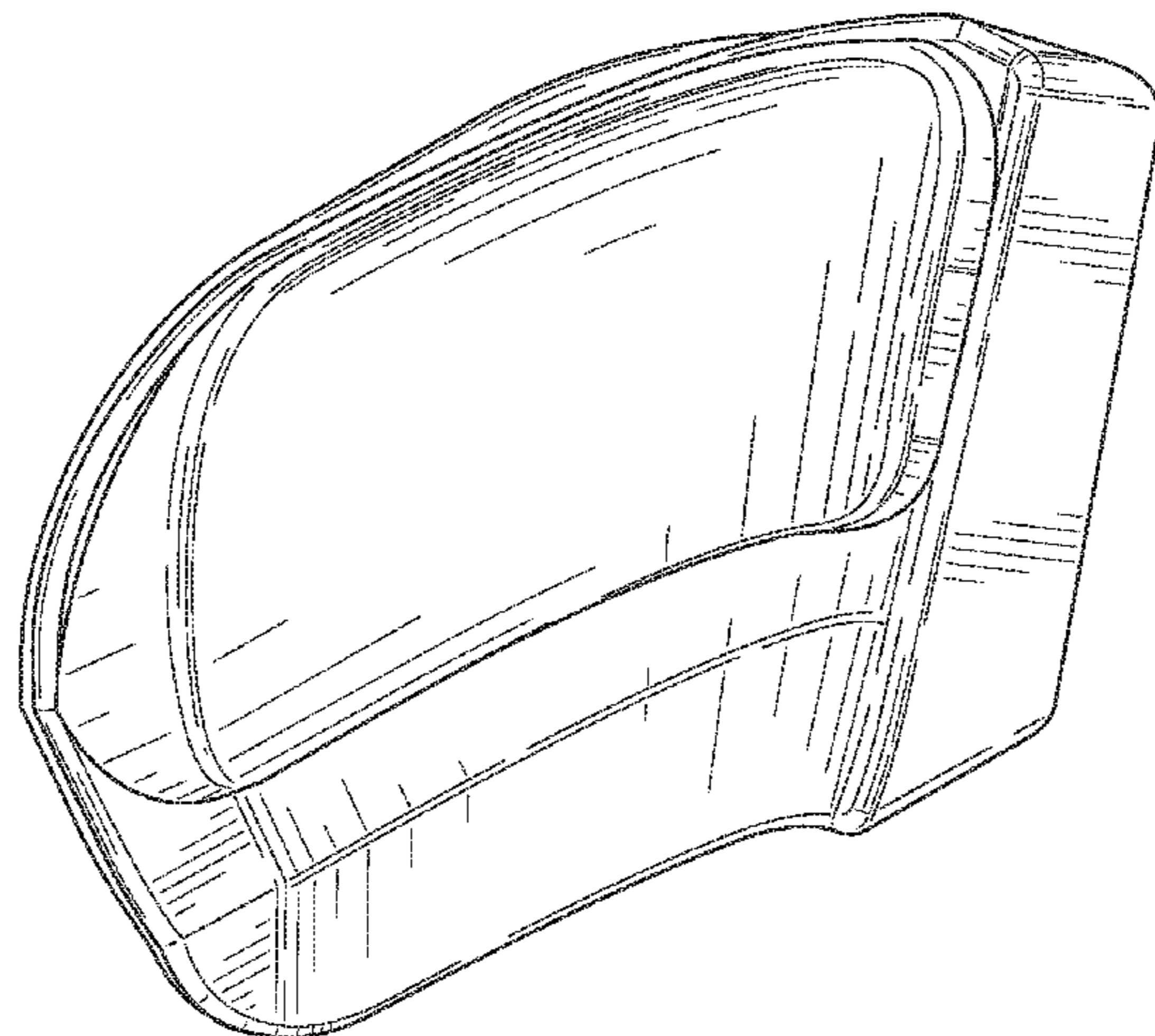
(58) **Field of Classification Search**  
USPC ..... D6/335, 336, 338, 356; D12/192, 195,  
D12/196, 345  
CPC ..... B62D 33/00; B60J 5/0416; B60J 5/0425;  
B60J 5/0431; B60J 5/0433; B60J 5/0455;  
B60J 5/0463; B60J 5/0465; B60J 5/0483;  
B60J 5/00; B60J 5/04; B60J 10/86; B23P  
15/00; B23P 2700/50; B60R 13/0243;  
E05B 17/0062; E05B 79/06; E05B 85/02;  
E05B 85/12

See application file for complete search history.

(56) **References Cited**  
U.S. PATENT DOCUMENTS

D102,971 S \* 1/1937 Hale ..... D6/336  
3,851,919 A 12/1974 Nagy  
D246,304 S 11/1977 Horn  
D349,608 S \* 8/1994 Savoie ..... D25/138  
5,384,998 A \* 1/1995 Tanaka ..... A47B 83/001  
29/897.32  
D382,735 S \* 8/1997 Zapf ..... D6/703.1  
D439,425 S 3/2001 Park et al.  
D510,816 S 10/2005 Lee

7,059,657 B2 \* 6/2006 Bodin ..... B60J 5/0425  
296/146.2  
D558,993 S 1/2008 Saint-Jalmes et al.  
D591,520 S 5/2009 Orson et al.  
D609,500 S 2/2010 Fieldhouse et al.  
D611,399 S 3/2010 Bock  
D621,331 S \* 8/2010 Bock ..... D12/345  
D623,577 S 9/2010 Orson et al.  
D623,578 S 9/2010 Orson et al.  
D656,750 S \* 4/2012 Porter ..... D6/356  
D686,423 S 7/2013 Salzberger et al.  
D695,033 S 12/2013 Salzberger et al.  
D702,623 S \* 4/2014 Salzberger ..... D12/345  
D713,160 S 9/2014 Roberts et al.  
D715,066 S 10/2014 Nicholas et al.  
D718,945 S 12/2014 Nicholas et al.  
D727,042 S 4/2015 Wagner et al.  
D740,039 S \* 10/2015 Bouroullec ..... D6/335  
9,248,722 B2 \* 2/2016 Gillay ..... B60J 5/0416  
D758,270 S \* 6/2016 Zadnik ..... D12/196  
D765,571 S \* 9/2016 Faghihzadeh ..... D12/196  
D777,636 S \* 1/2017 Lindsey ..... D12/196  
9,545,999 B2 1/2017 Henshaw  
9,622,570 B1 4/2017 Holdredge et al.  
D790,239 S 6/2017 Goode et al.  
D791,031 S \* 7/2017 Lindsey ..... D12/196  
D793,749 S 8/2017 Kitajima  
D793,750 S 8/2017 Kitajima  
D793,932 S \* 8/2017 Yoon ..... D12/192  
D794,344 S \* 8/2017 MacAllen ..... D6/335  
9,758,027 B1 \* 9/2017 Sia, Jr. .... B60J 5/0463  
D798,622 S \* 10/2017 Grader ..... D6/356  
D806,416 S 1/2018 Katakura et al.  
9,856,025 B2 1/2018 Jasny et al.  
D811,970 S \* 3/2018 Lokers ..... D12/195  
D814,374 S \* 4/2018 Patterson ..... D12/195  
9,938,015 B2 4/2018 Savian  
D818,921 S 5/2018 Pelletier et al.  
D830,712 S \* 10/2018 Goode ..... D6/356  
10,246,192 B1 4/2019 Prasad  
D849,624 S 5/2019 Von Holzhausen et al.  
10,279,912 B2 5/2019 Robinson et al.  
D850,131 S \* 6/2019 Goode ..... D6/356  
D851,004 S \* 6/2019 Jackson ..... D12/196  
10,308,100 B2 \* 6/2019 Bendiks ..... B60J 5/0431  
D856,692 S 8/2019 Veneruso  
10,562,633 B2 2/2020 Kuyper et al.  
D880,175 S 4/2020 Gyllang  
D615,919 S 5/2020 Bock  
2007/0210209 A1 9/2007 Saint-Jalmes et al.  
2008/0088160 A1 4/2008 Johnson  
2010/0065683 A1 3/2010 Darbyshire  
2011/0012386 A1 1/2011 Brncick et al.



2012/0223186	A1	9/2012	Renshaw
2012/0248246	A1	10/2012	Savian
2014/0117731	A1	5/2014	Asli
2016/0272323	A1	9/2016	Carloz
2017/0197529	A1	7/2017	Hontz et al.

## FOREIGN PATENT DOCUMENTS

FR	2930208	10/2009
FR	2935113	2/2010
KR	301047850.0000	2/2020
WO	2018169575	9/2018

## OTHER PUBLICATIONS

Tangerine, "Aircraft cabin harmony Cathay Pacific," retrieved from [<http://tangerine.net/our-work/cathay-pacific-a350-aircraft-cabin-harmony/>] on Oct. 11, 2018, 8 pages.

Bradley, "Flying With a Baby, British Airways B777 Business Class (Club Class) Review," Mar. 25, 2018, retrieved from [<https://www.flyingwithababy.com/british-airways-b777-club-class-review/>] on Oct. 11, 2018, 17 pages.

Seating configuration, image retrieved from [[https://encrypted-tbn0.gstatic.com/images?q=tbn:ANd9GcRdZp1fGO\\_jv-QH9z9MqZ4u6NxOQud8XSA73tWM6TZRC6a38tuOEQ](https://encrypted-tbn0.gstatic.com/images?q=tbn:ANd9GcRdZp1fGO_jv-QH9z9MqZ4u6NxOQud8XSA73tWM6TZRC6a38tuOEQ)] on Oct. 11, 2018, 1 page.

Airline Reporter, "The Plane that Pampers People," image retrieved from <http://www.airlinereporter.com/wp-content/uploads/2013/01/L1011.jpg>, on Oct. 11, 2018, 1 page.

European Patent Office, "Extended European Search Report," issued in connection with European Patent Application No. 191692573, dated Dec. 11, 2019, 14 pages.

European Patent Office, "Partial European Search Report," issued in connection with European Patent Application No. 191692573, dated Sep. 11, 2019, 15 pages.

Brazilian Patent Office, "Office Action," issued in connection with Brazilian Patent Application No. 30 2019 001867-5, dated Oct. 22, 2019, 2 pages.

United States Patent and Trademark Office, "Non-Final Office Action," issued in connection with U.S. Appl. No. 29/648,442, dated May 18, 2020, 15 pages.

Lux-Traveller.com, "New Swiss Boeing 777 Business and First class cabins," dated Jul. 9, 2015, retrieved from [<http://lux-traveller.com/2015/swiss-boeing777-first-business-class.htm>] on May 1, 2020, 8 pages.

The Luxury Travel Expert, "Top 10 best airlines for longhaul Business Class," dated Apr. 6, 2020, retrieved from [<https://theluxurytravelexpert.com/2020/04/06/top-10-business-class/>] on May 1, 2020, 14 pages.

Stein, "Not All Dreamliner Configurations Are Created Equal," dated Jan. 10, 2018, retrieved from [<https://travelwithgrant.boardingarea.com/2018/01/10/not-all-dreamliner-configurations-are-created-equal-shell>], on May 1, 2010, 7 pages.

\* cited by examiner

*Primary Examiner* — Kevin K Rudzinski

*Assistant Examiner* — Paul D Bohannon

(74) *Attorney, Agent, or Firm* — Hanley, Flight & Zimmerman, LLC

## (57) CLAIM

The ornamental design for a lateral sleep apparatus, as shown and described.

## DESCRIPTION

FIG. 1 is a front perspective view of a first embodiment of a lateral sleep apparatus (e.g., a left-side lateral sleep apparatus) disclosed herein. The first embodiment of the lateral

sleep apparatus of FIG. 1 provides a left-side mount interface. The first embodiment of the lateral sleep apparatus of FIG. 1 can be configured as a mirrored structure to provide a right-side mount interface.

FIG. 2 is a rear perspective view of the first embodiment of the lateral sleep apparatus of FIG. 1.

FIG. 3 is a left side view of the first embodiment of the lateral sleep apparatus of FIG. 1.

FIG. 4 is a right side view of the first embodiment of the lateral sleep apparatus of FIG. 1.

FIG. 5 is a front view of the first embodiment of the lateral sleep apparatus of FIG. 1.

FIG. 6 is a rear view of the first embodiment of the lateral sleep apparatus of FIG. 1.

FIG. 7 is a top view of the first embodiment of the lateral sleep apparatus of FIG. 1.

FIG. 8 is a bottom view of the first embodiment of the lateral sleep apparatus of FIG. 1.

FIG. 9 is a front perspective view of a second embodiment of a lateral sleep apparatus (e.g., a right-side lateral sleep apparatus) disclosed herein. The second embodiment of the lateral sleep apparatus of FIG. 9 provides a right-side mount interface. The second embodiment of the lateral sleep apparatus of FIG. 9 can be configured as a mirrored structure to provide a left-side mount interface.

FIG. 10 is a rear perspective view of the second embodiment of the lateral sleep apparatus of FIG. 9.

FIG. 11 is a left side view of the second embodiment of the lateral sleep apparatus of FIG. 9.

FIG. 12 is a right side view of the second embodiment of the lateral sleep apparatus of FIG. 9.

FIG. 13 is a front view of the second embodiment of the lateral sleep apparatus of FIG. 9.

FIG. 14 is a rear view of the second embodiment of the lateral sleep apparatus of FIG. 9.

FIG. 15 is a top view of the second embodiment of the lateral sleep apparatus of FIG. 9.

FIG. 16 is a bottom view of the second embodiment of the lateral sleep apparatus of FIG. 9.

FIG. 17 is a perspective view of the first embodiment of the lateral sleep apparatus of FIGS. 1-8 supported by a fuselage wall of an aircraft cabin.

FIG. 18 is a perspective view of the second embodiment of the lateral sleep apparatus of FIGS. 9-16 supported by a divider an aircraft cabin.

FIG. 19 is a front view of the first embodiment of the lateral sleep apparatus of FIGS. 1-8 and the second embodiment of the lateral sleep apparatus of FIGS. 9-16 shown inside a cabin of an aircraft.

FIG. 20 is a partial, perspective view of the cabin of FIG. 19 showing the first embodiment of the lateral sleep apparatus of FIGS. 1-8 and the second embodiment of the lateral sleep apparatus of FIGS. 9-16.

FIG. 21 is a partial, perspective view of the cabin of FIG. 19 showing the first embodiment of the lateral sleep apparatus of FIGS. 1-8 coupled to a divider wall of the cabin.

FIG. 22 is a partial, side view of the cabin of FIG. 19 showing the first embodiment of the lateral sleep apparatus of FIGS. 1-8 supported by the fuselage wall of the cabin and a divider wall of the cabin.

FIG. 23 is a partial perspective view of the cabin of FIG. 19 showing the second embodiment of the lateral sleep apparatus of FIGS. 9-16 supported by the divider wall of the cabin; and,

FIG. 24 is a partial, side view of the cabin of FIG. 19 showing the second embodiment of the lateral sleep apparatus of FIGS. 9-16 supported by a fuselage wall of the cabin.

The broken lines shown in the drawings are for the purpose of illustrating environment and portions of the article, and form no part of the claimed design.

**1 Claim, 15 Drawing Sheets**

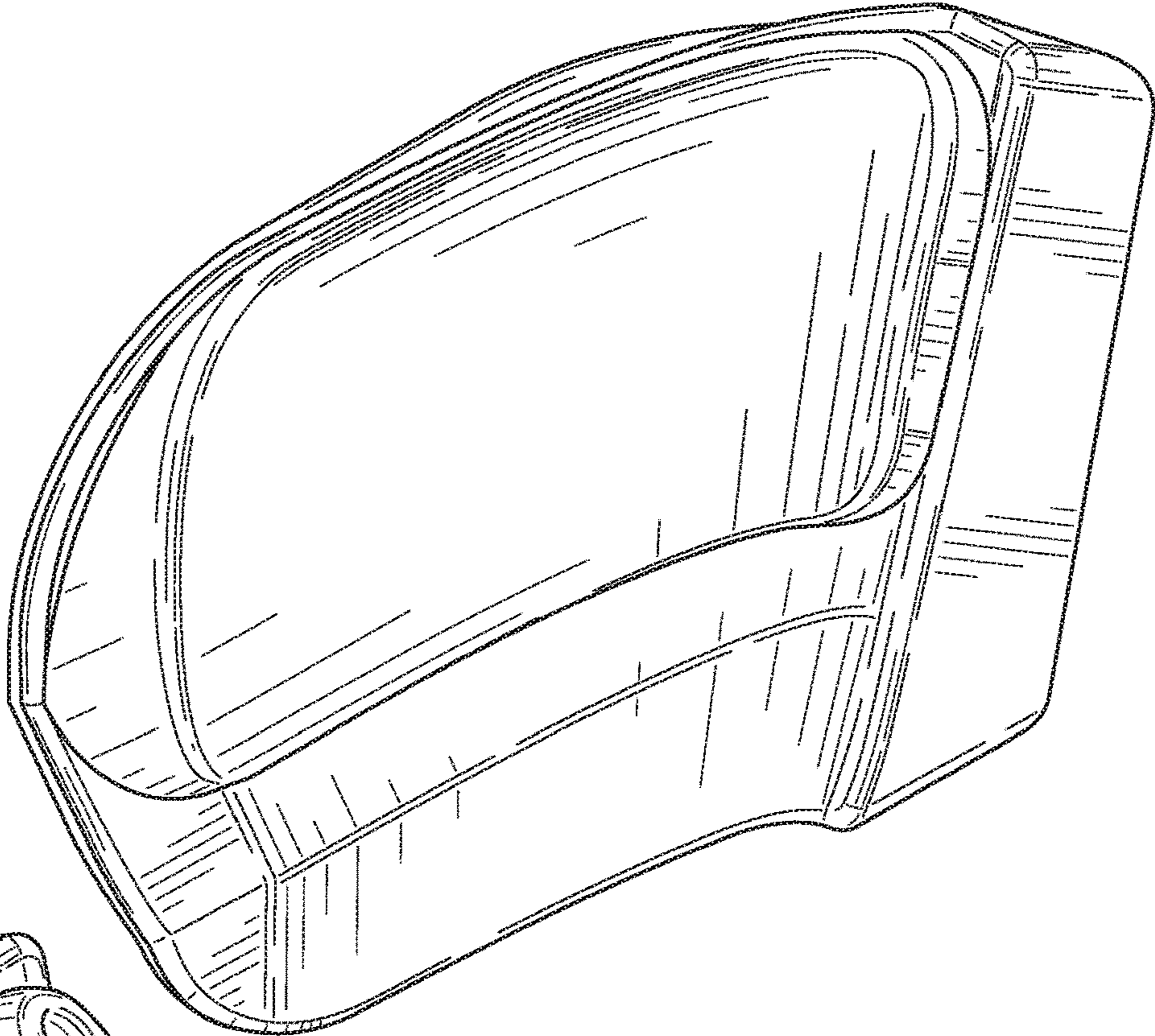


FIG. 1

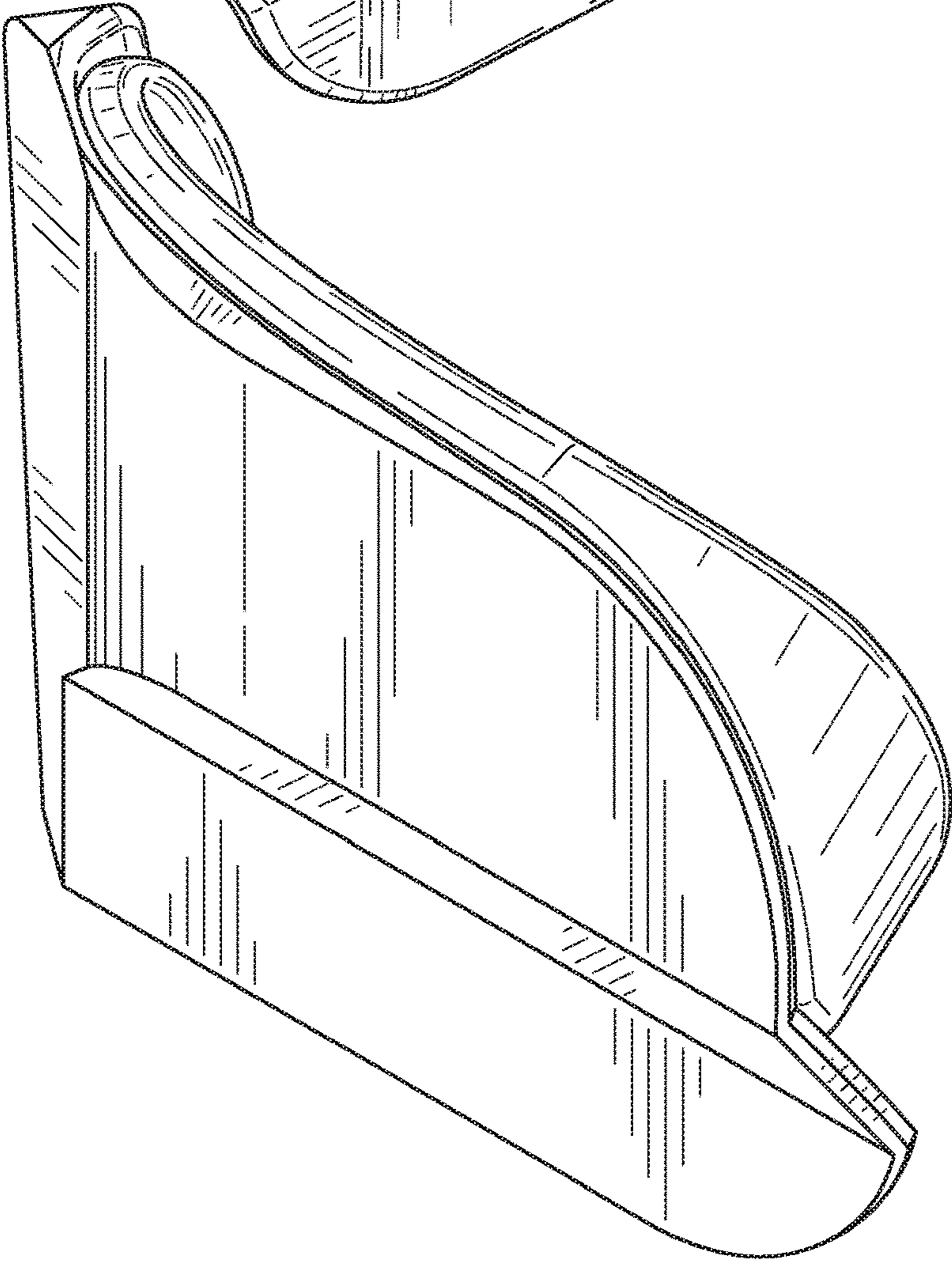


FIG. 2

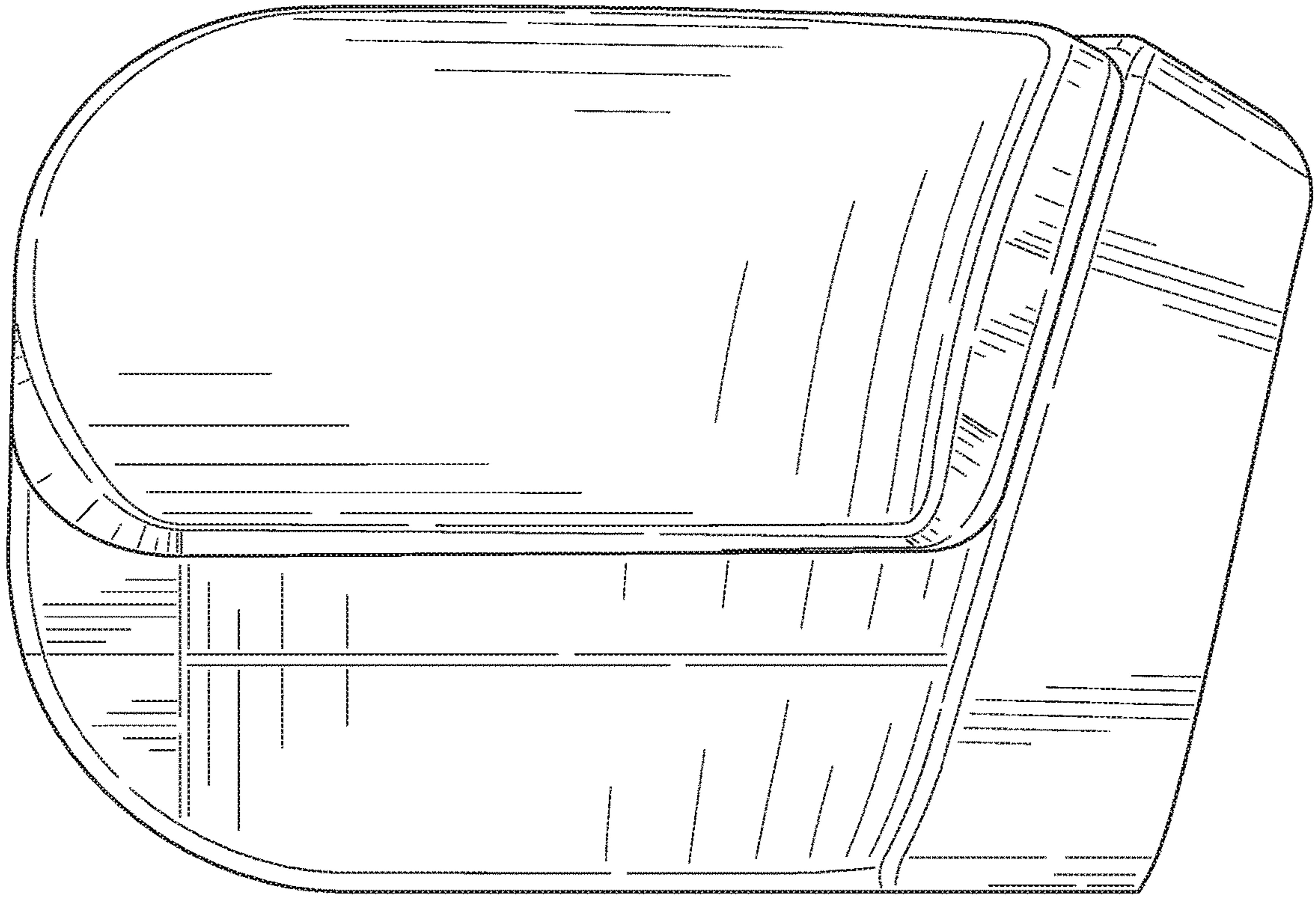


FIG. 3

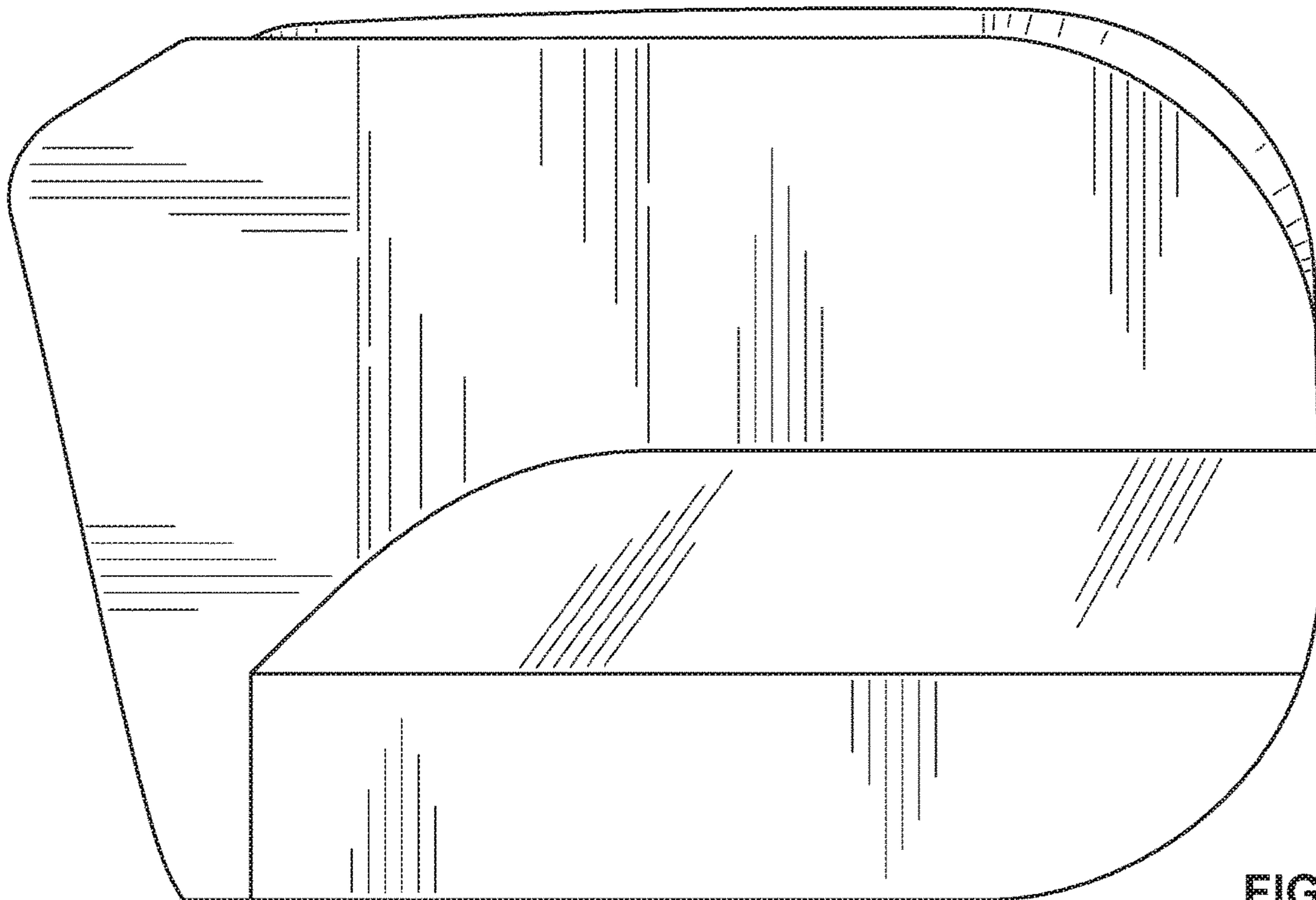


FIG. 4

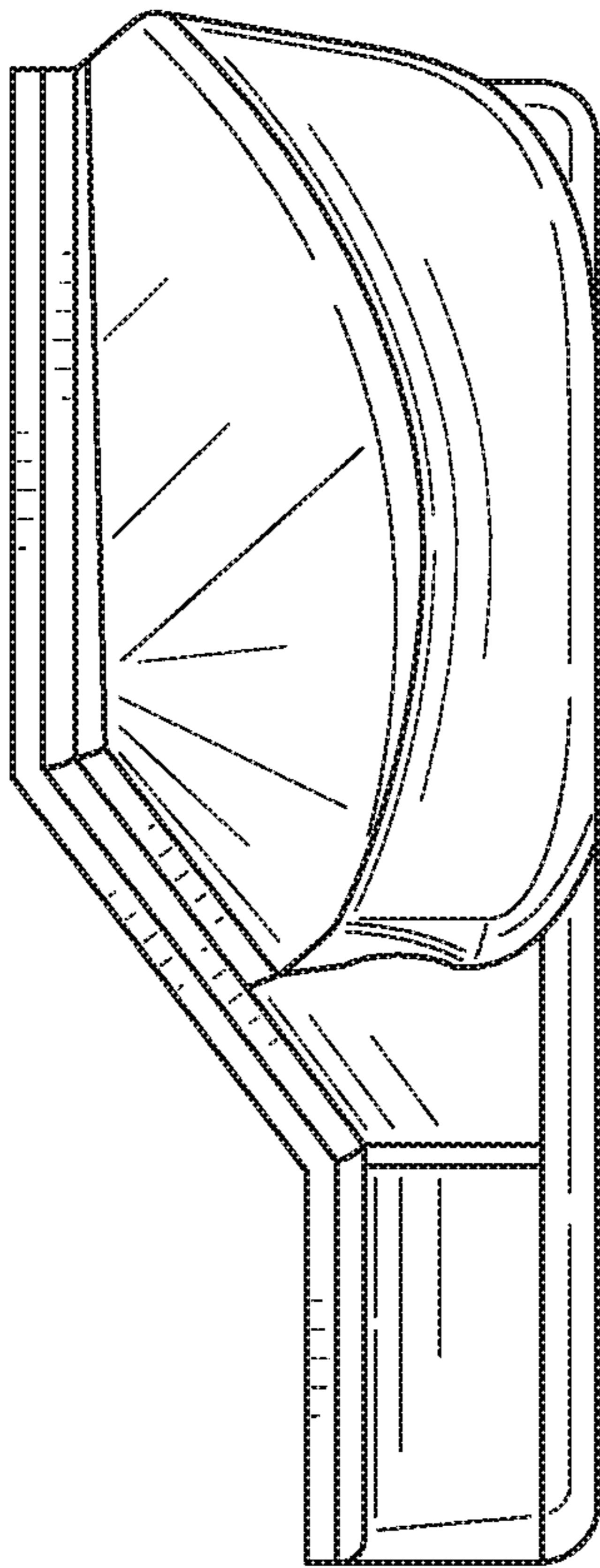


FIG. 5

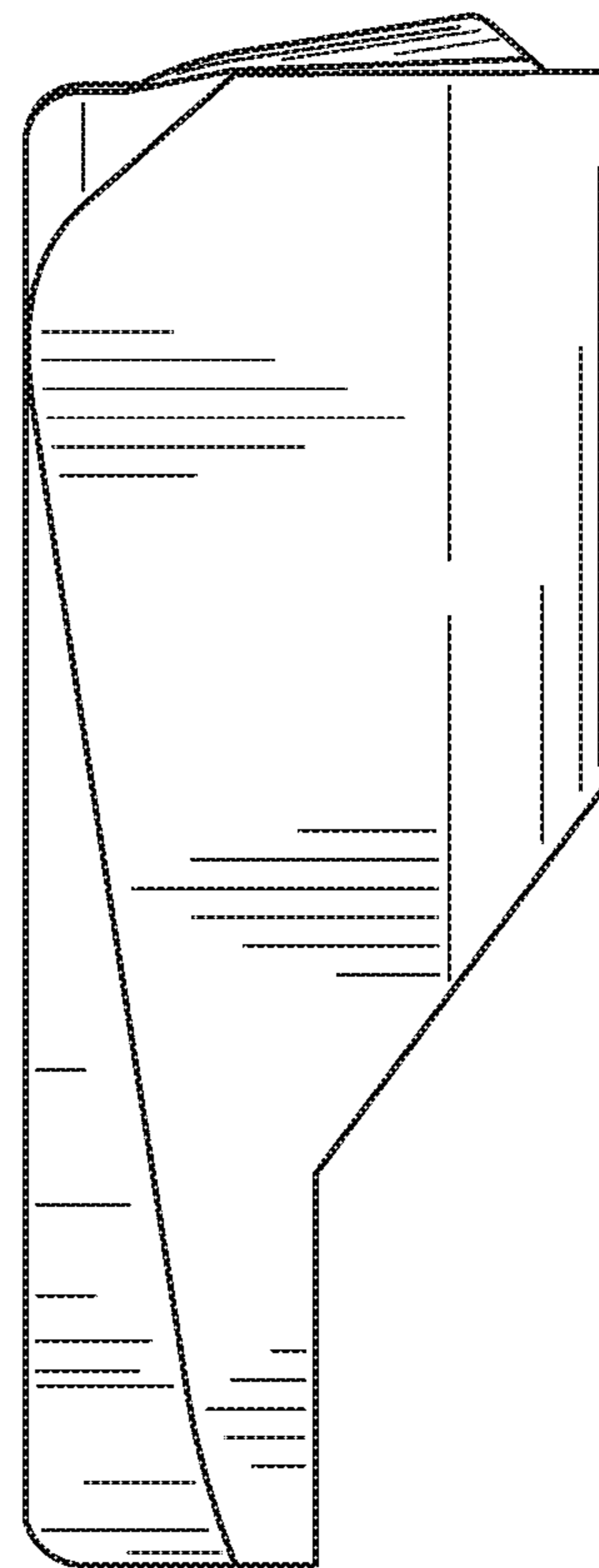


FIG. 6

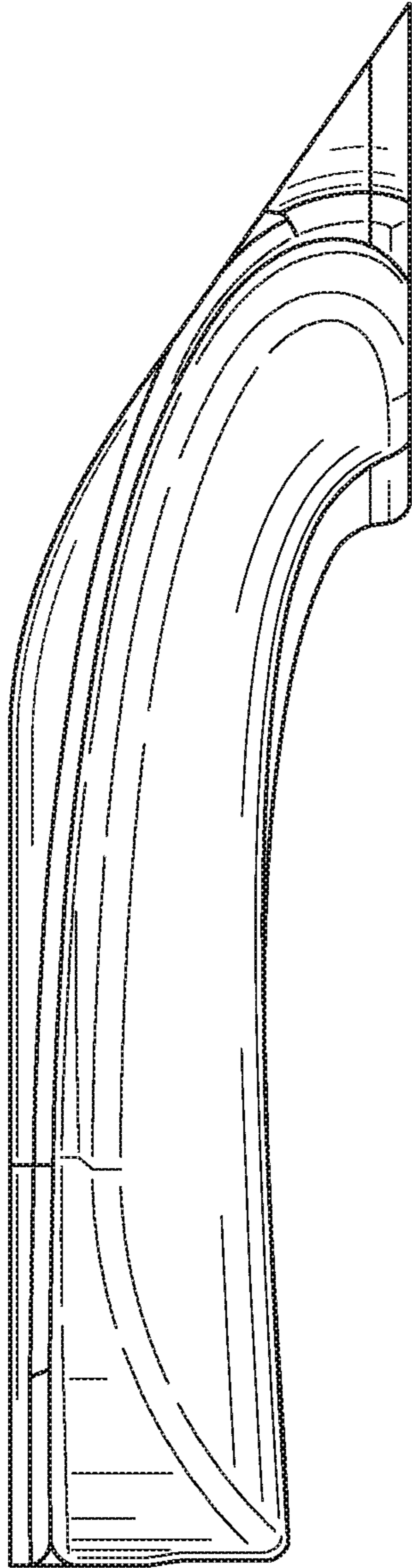


FIG. 7

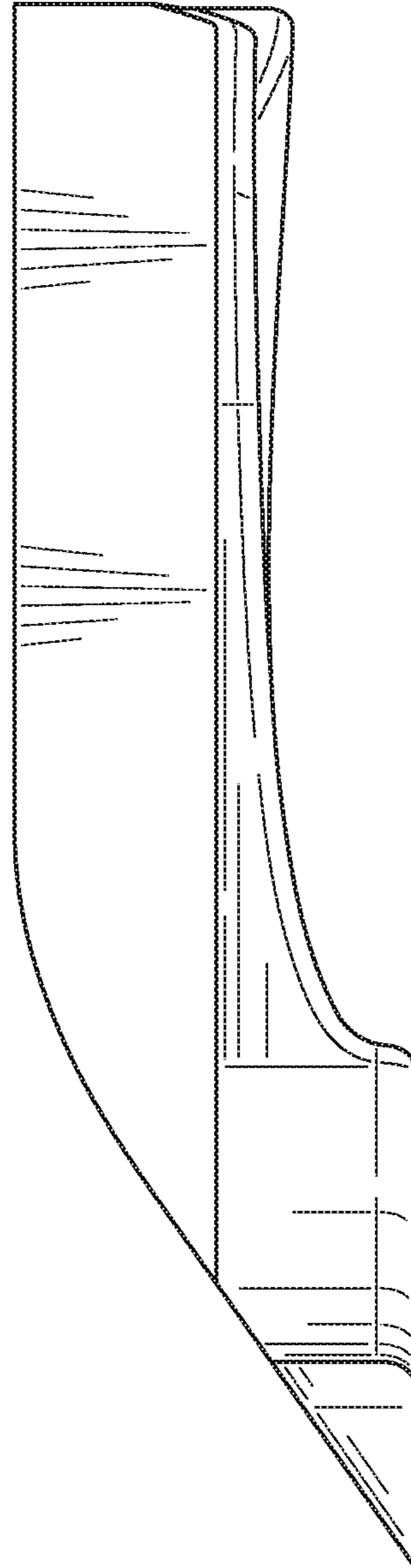


FIG. 8

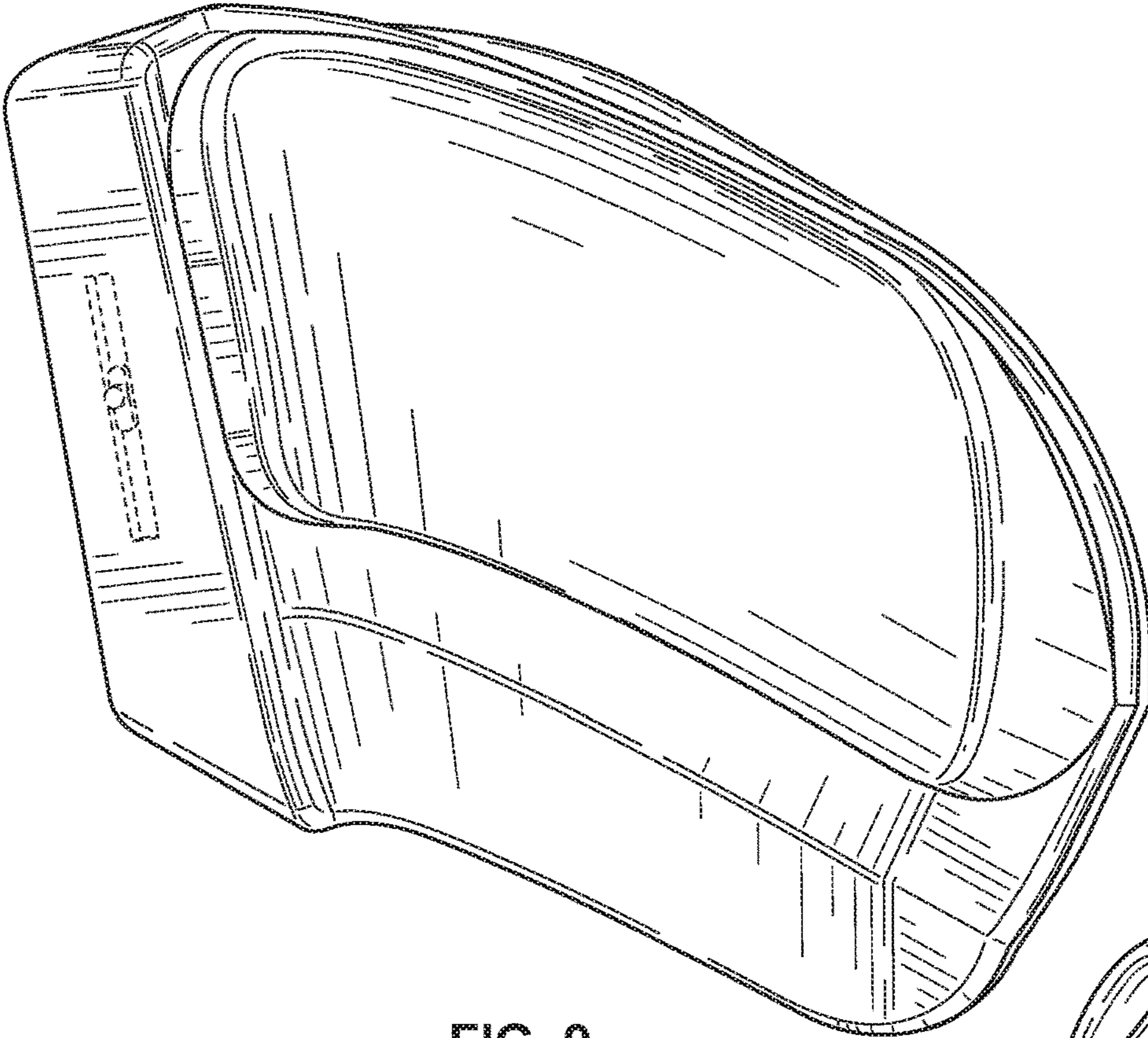


FIG. 9

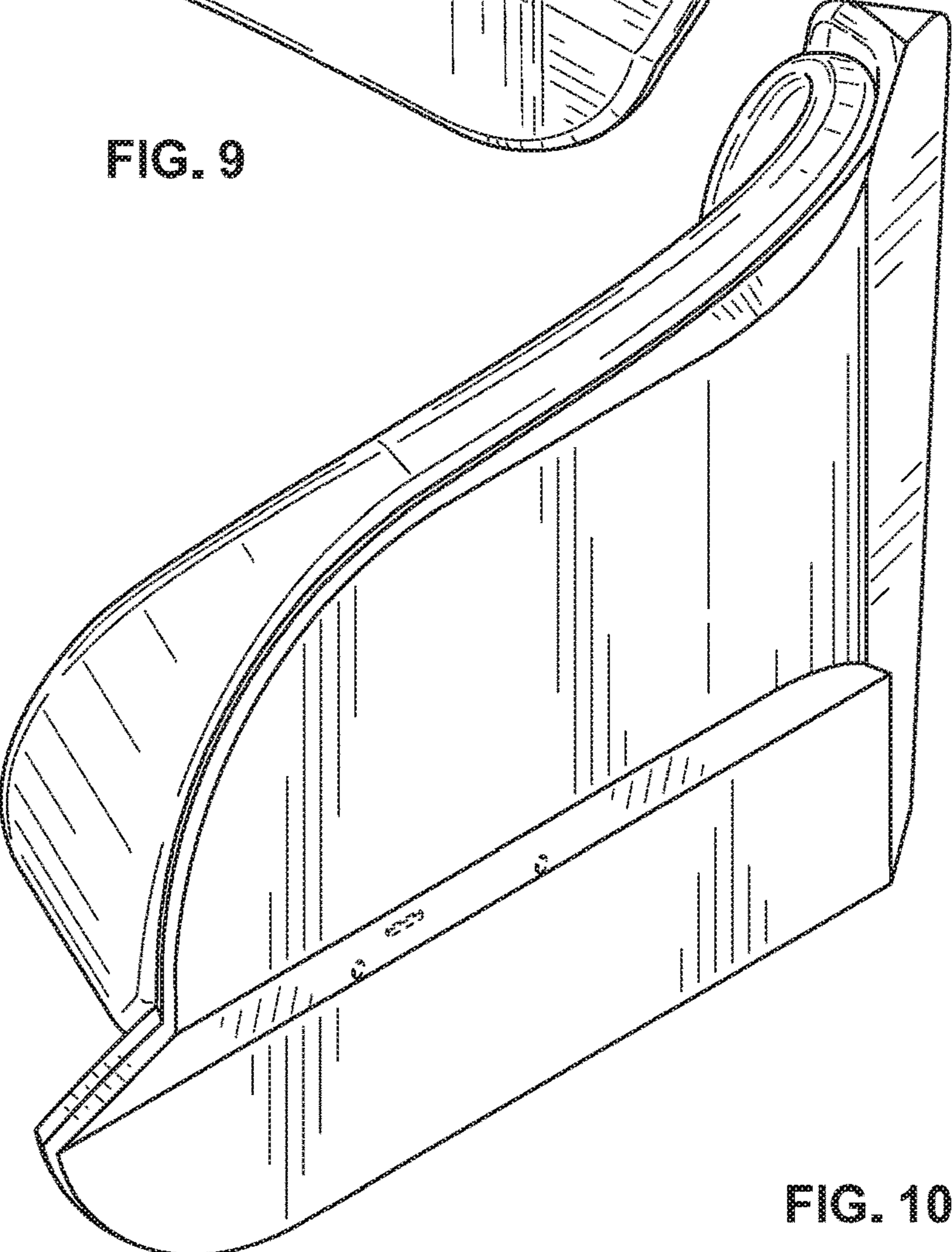


FIG. 10



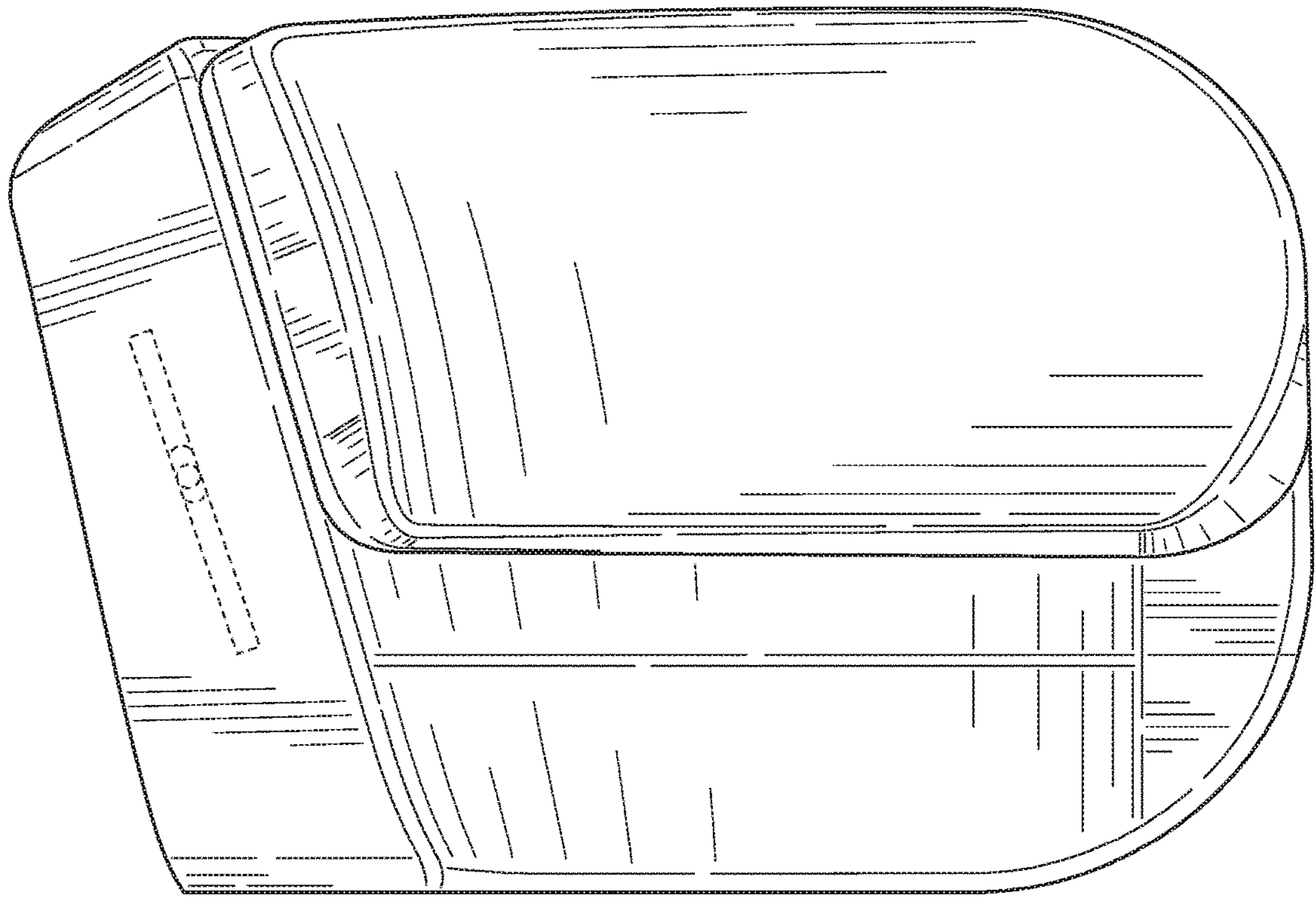


FIG. 11

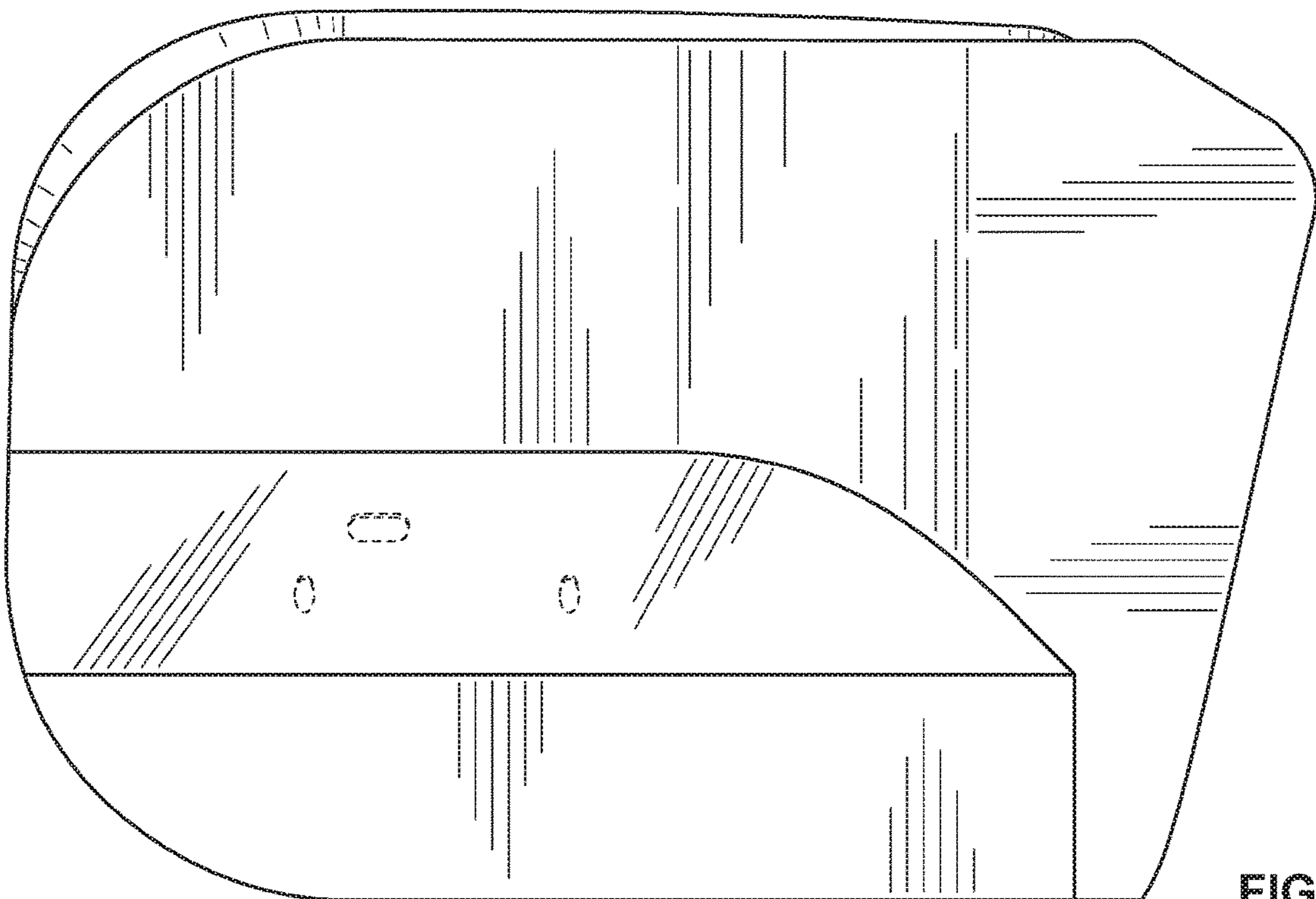


FIG. 12

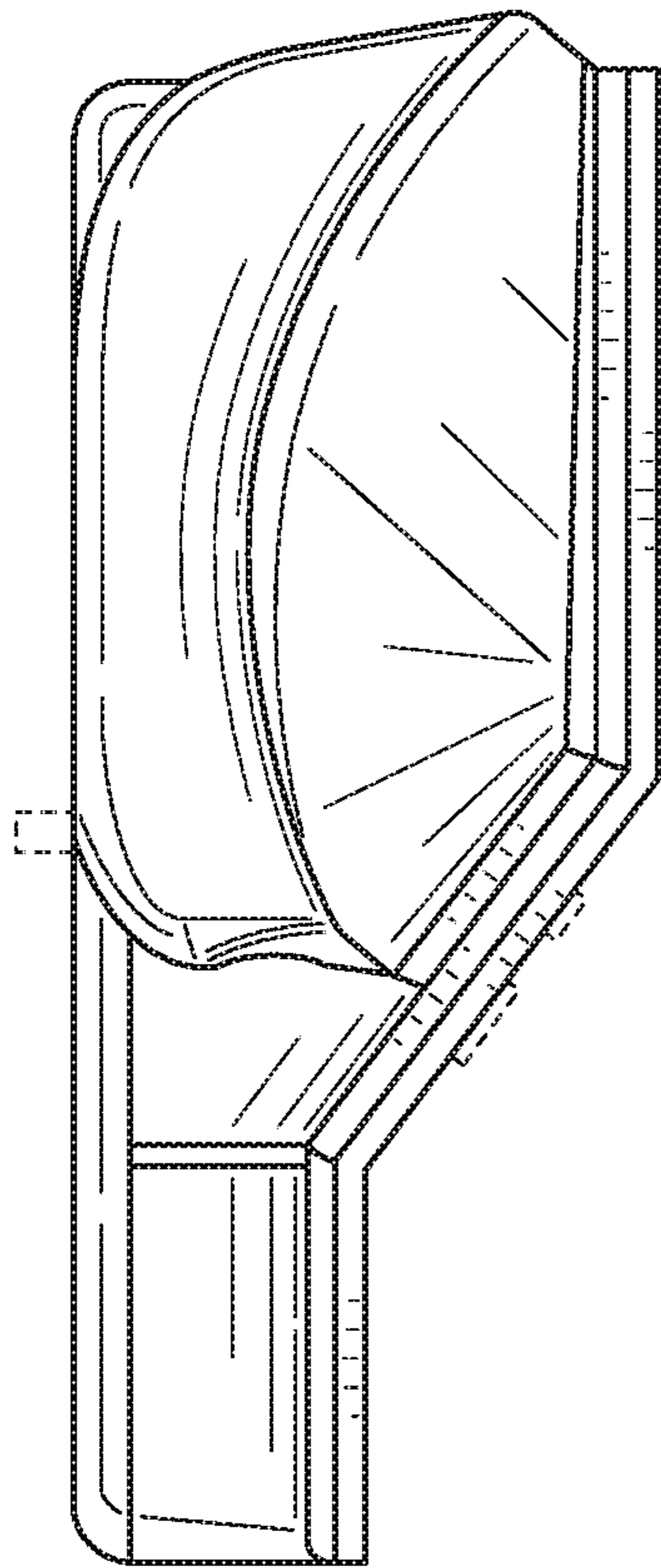


FIG. 13

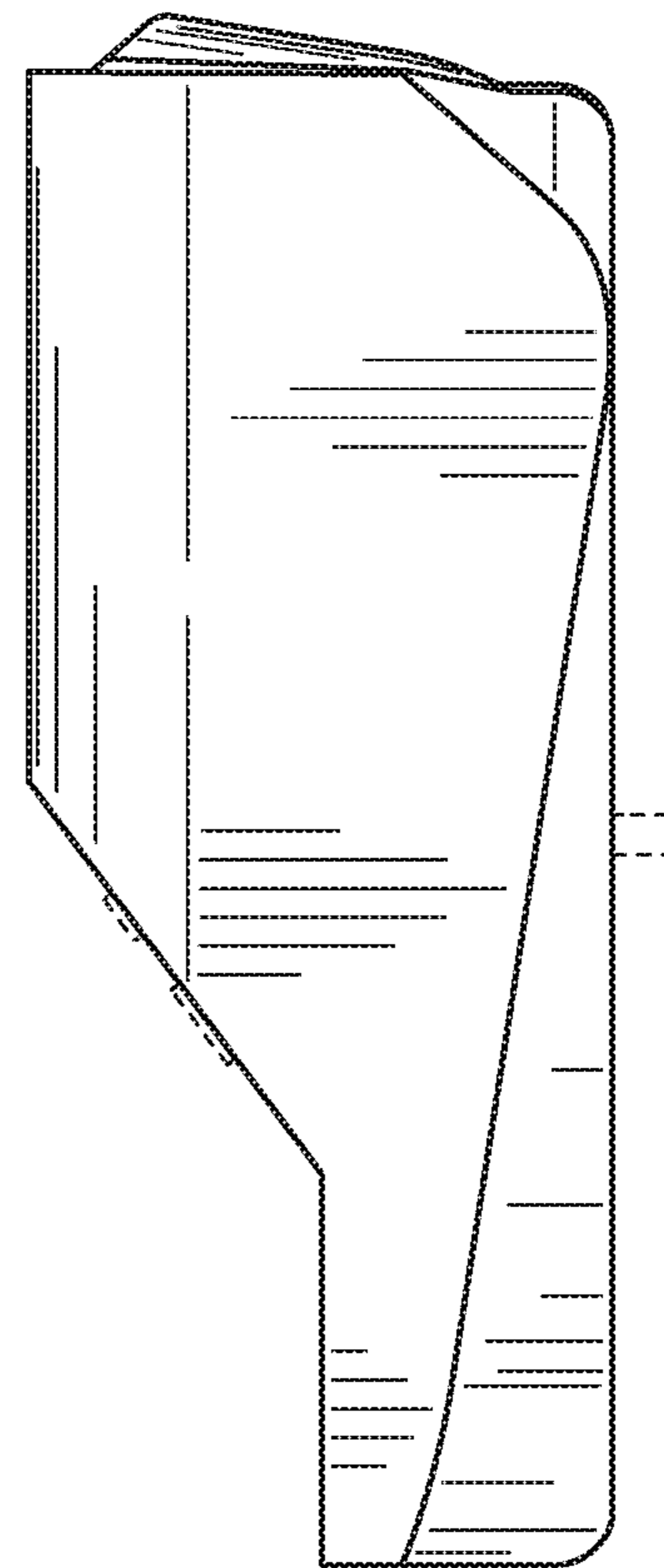


FIG. 14

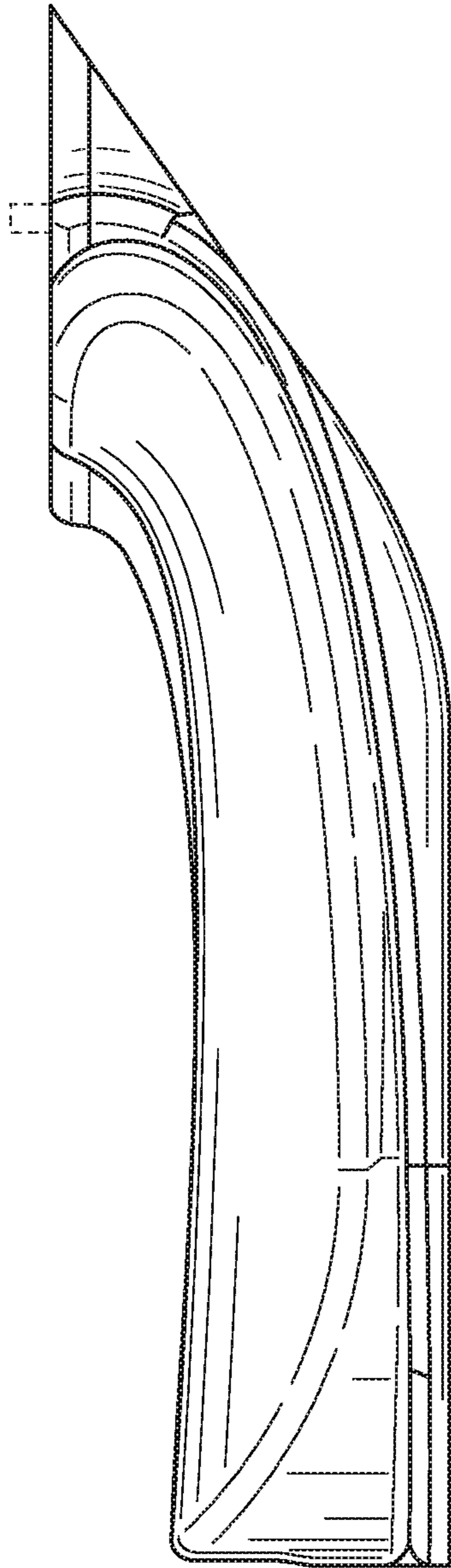


FIG. 15

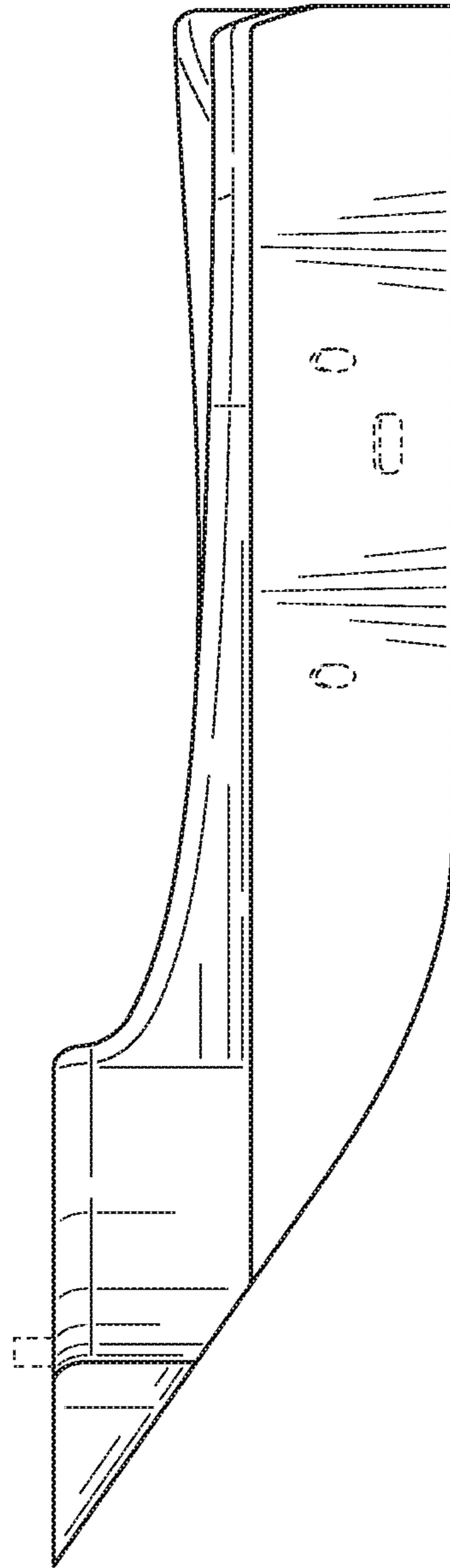


FIG. 16

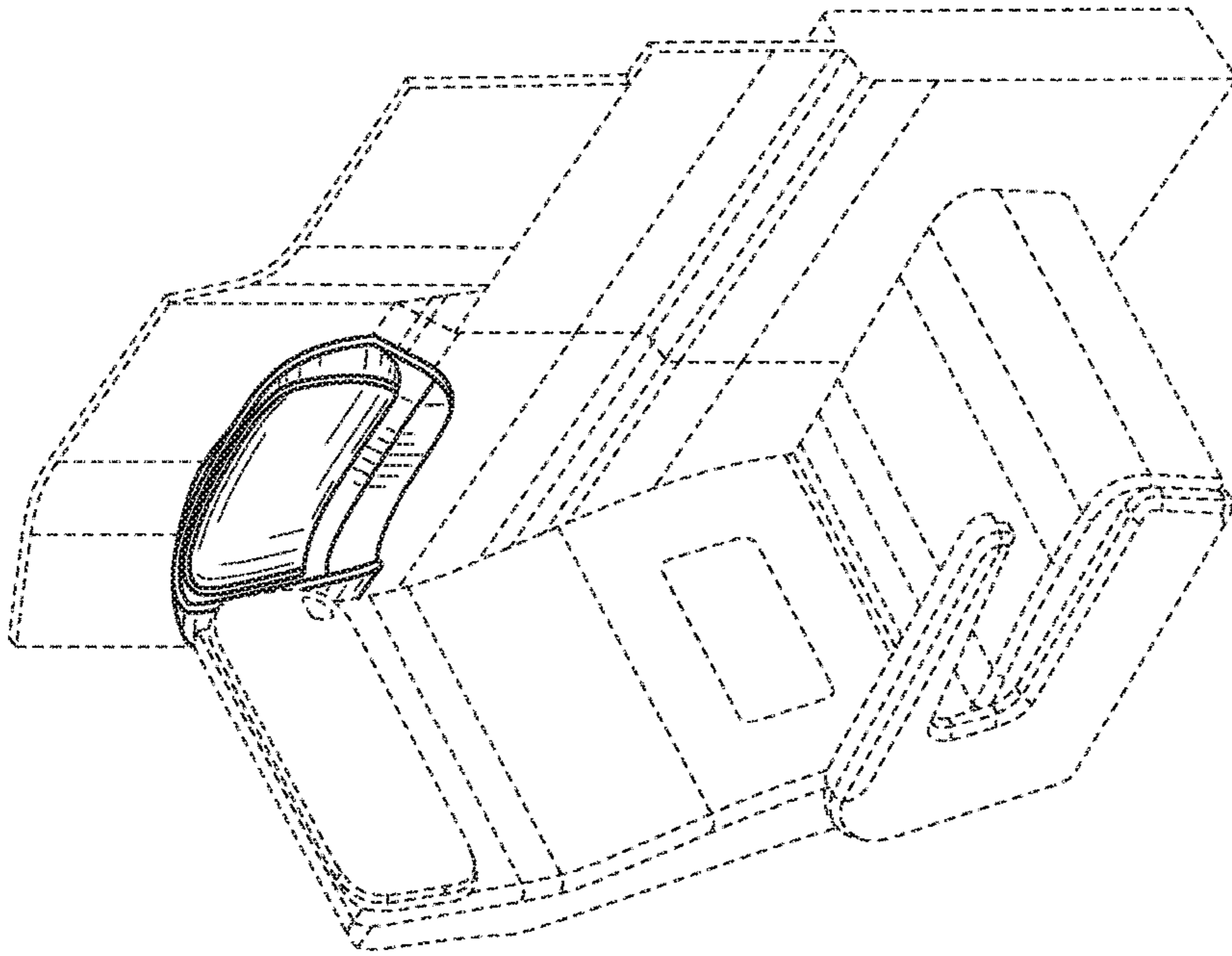


FIG. 18

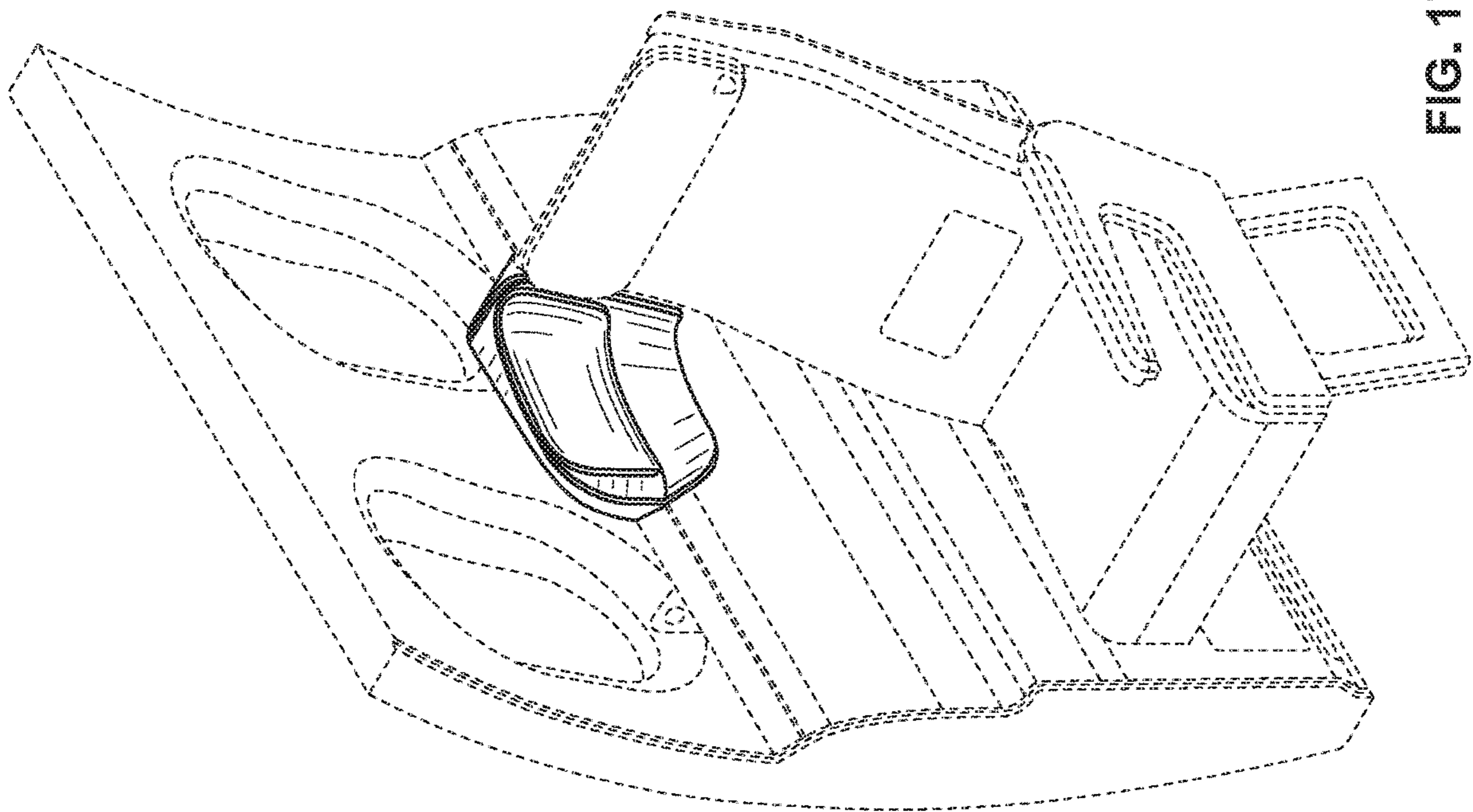


FIG. 17

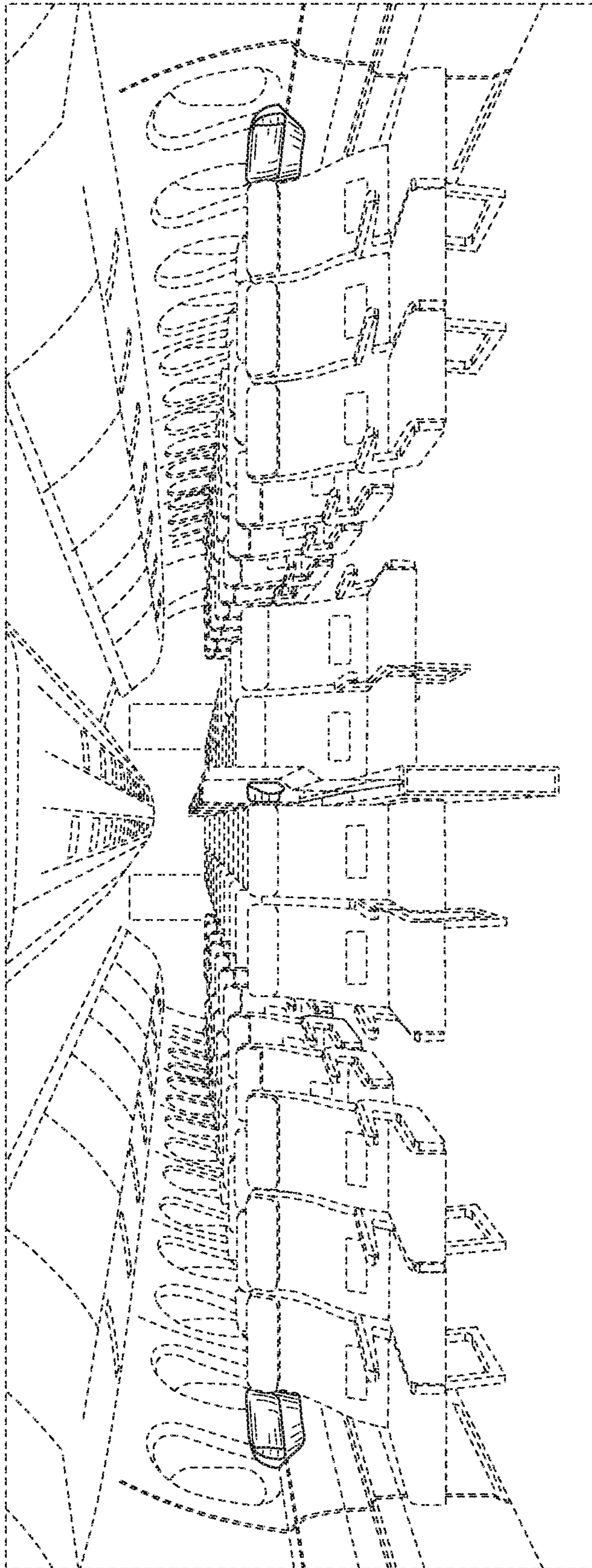


FIG. 19

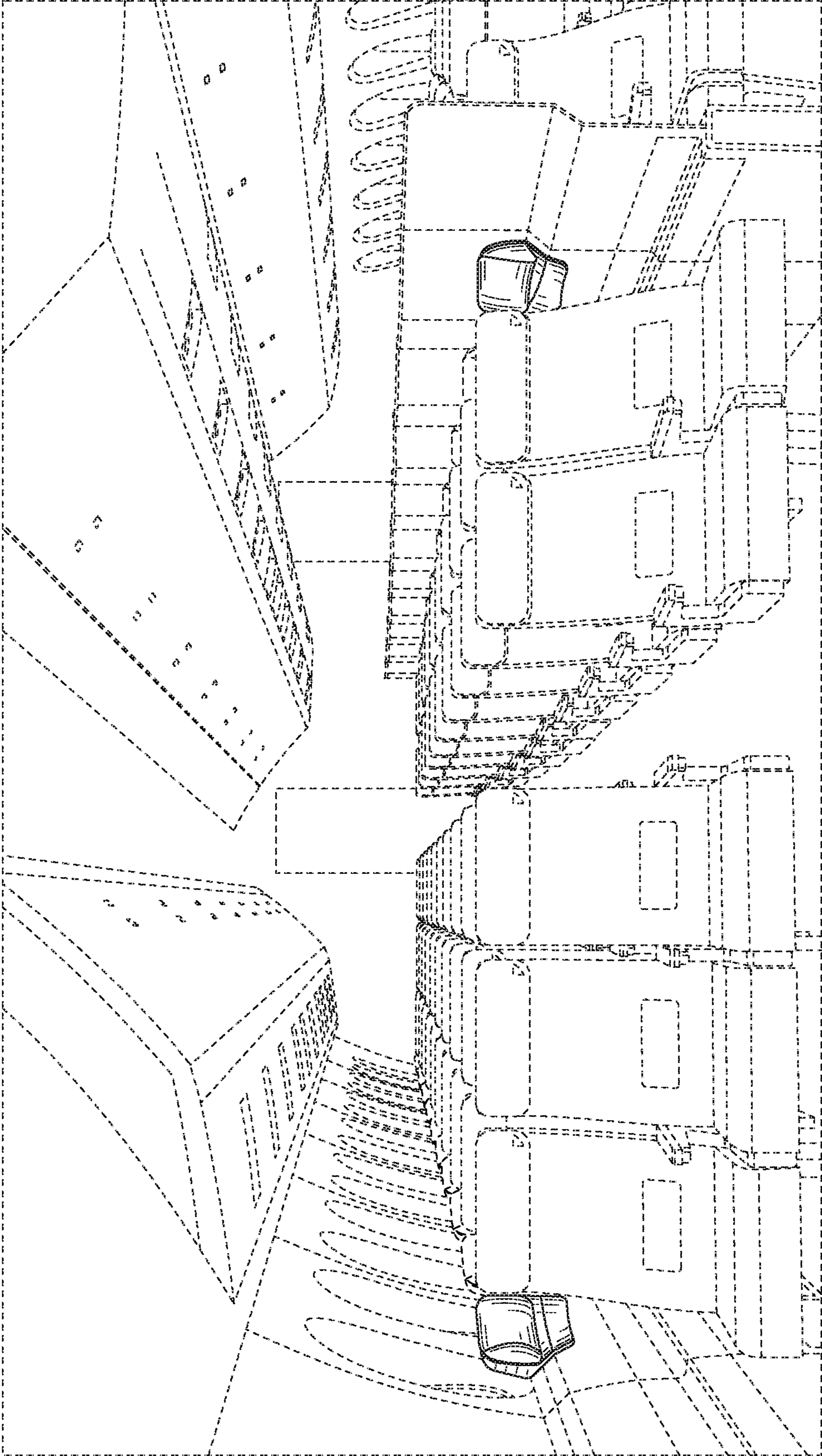


FIG. 20

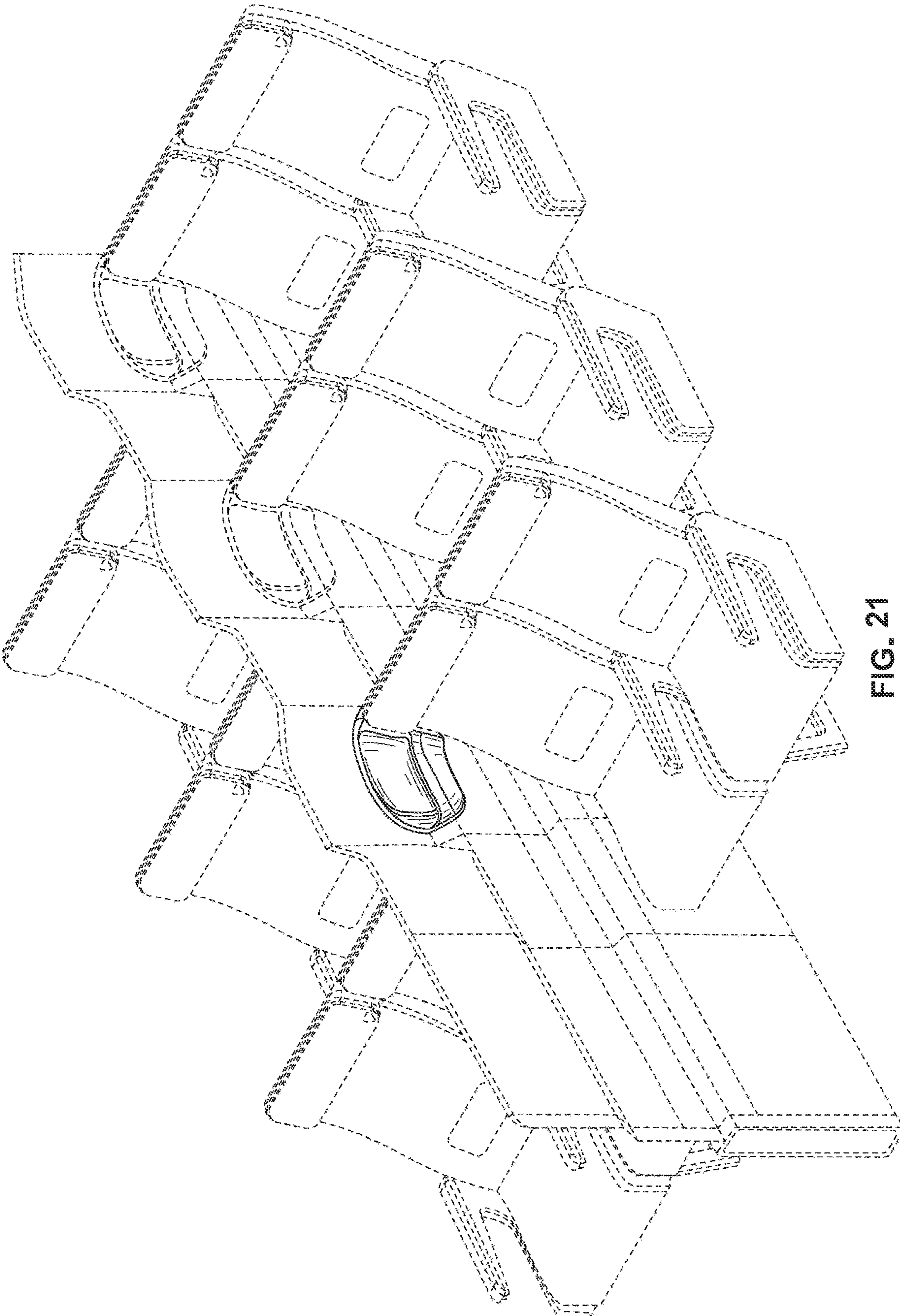


FIG. 21

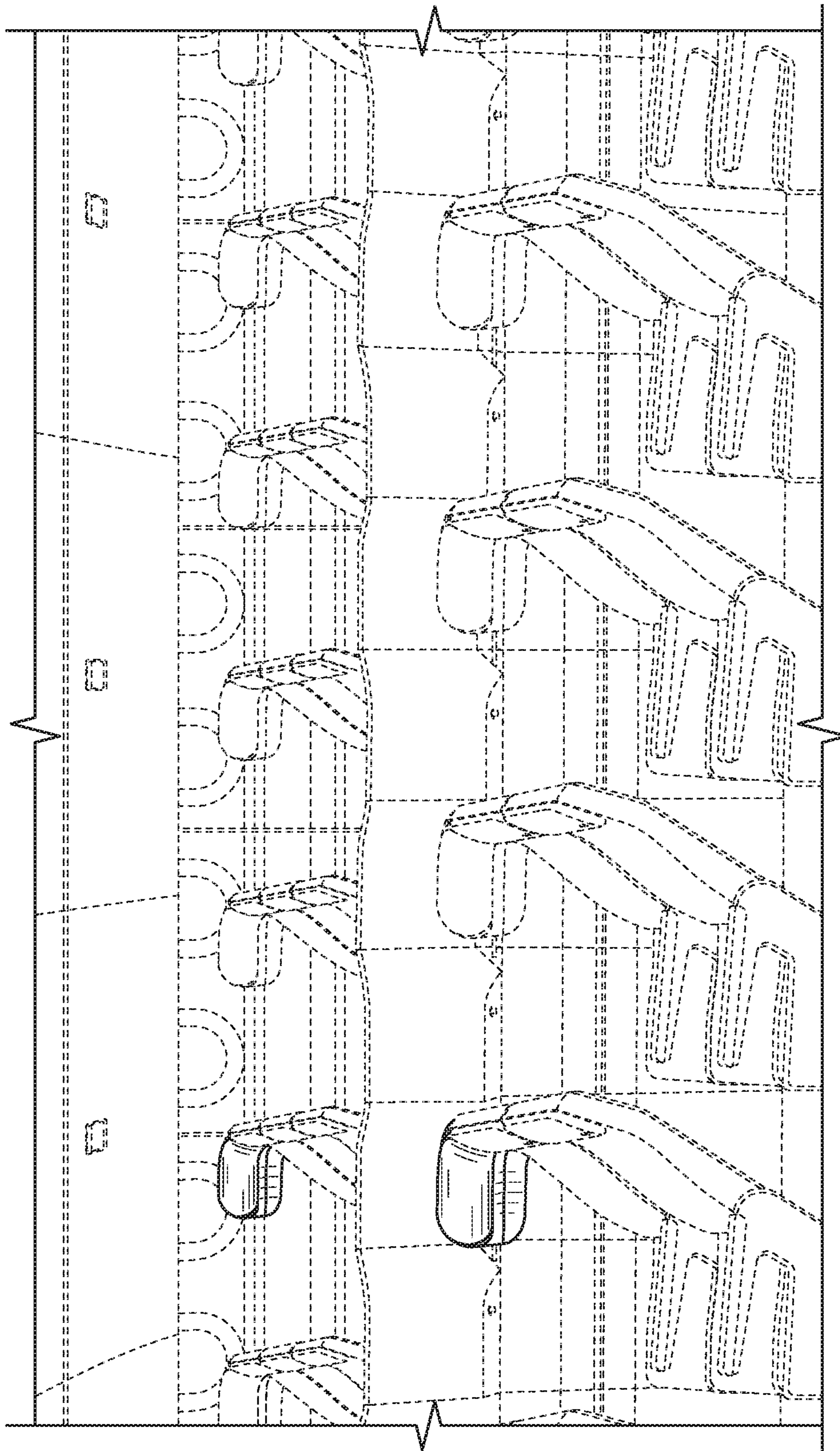


FIG. 22



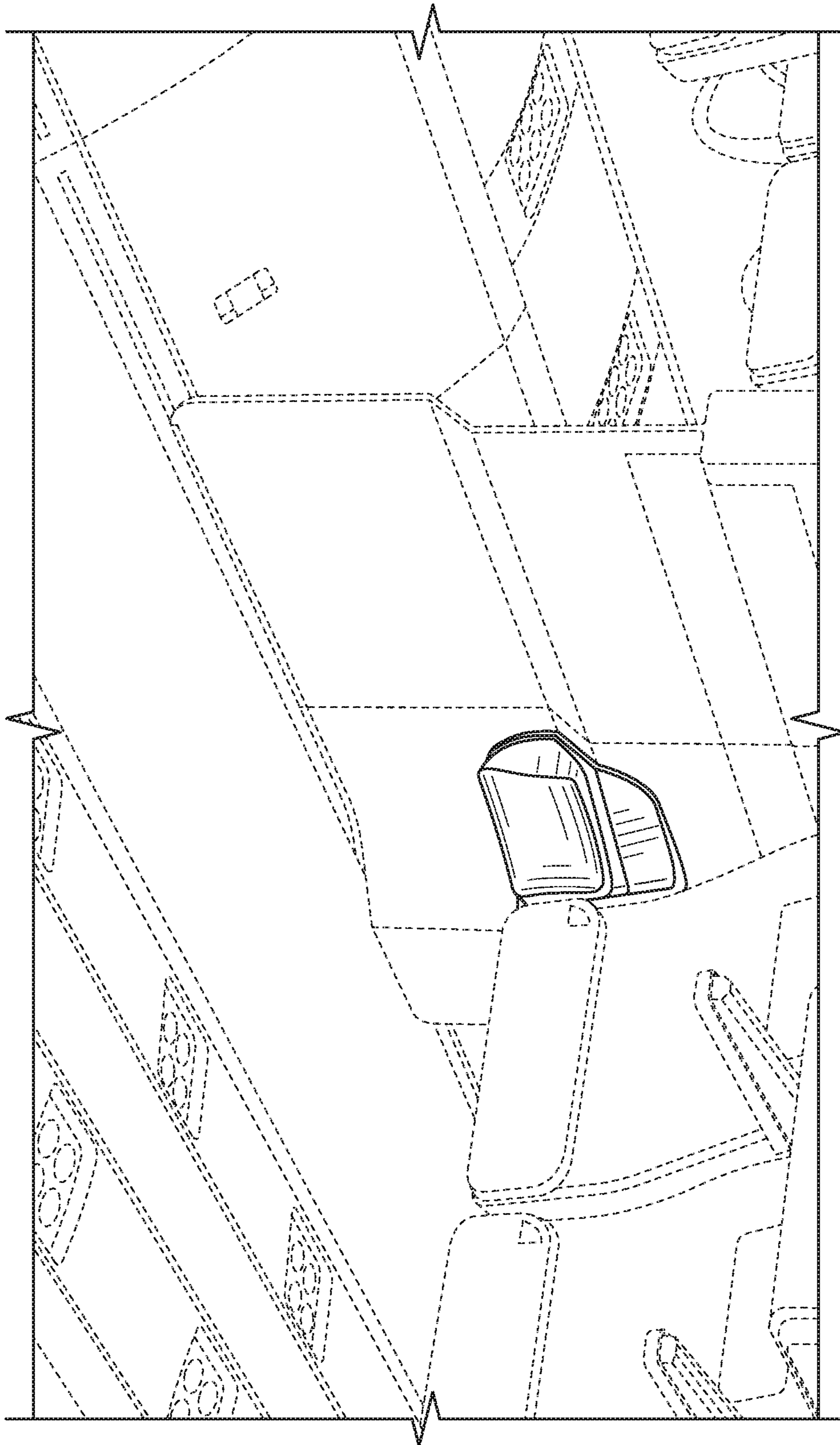


FIG. 23

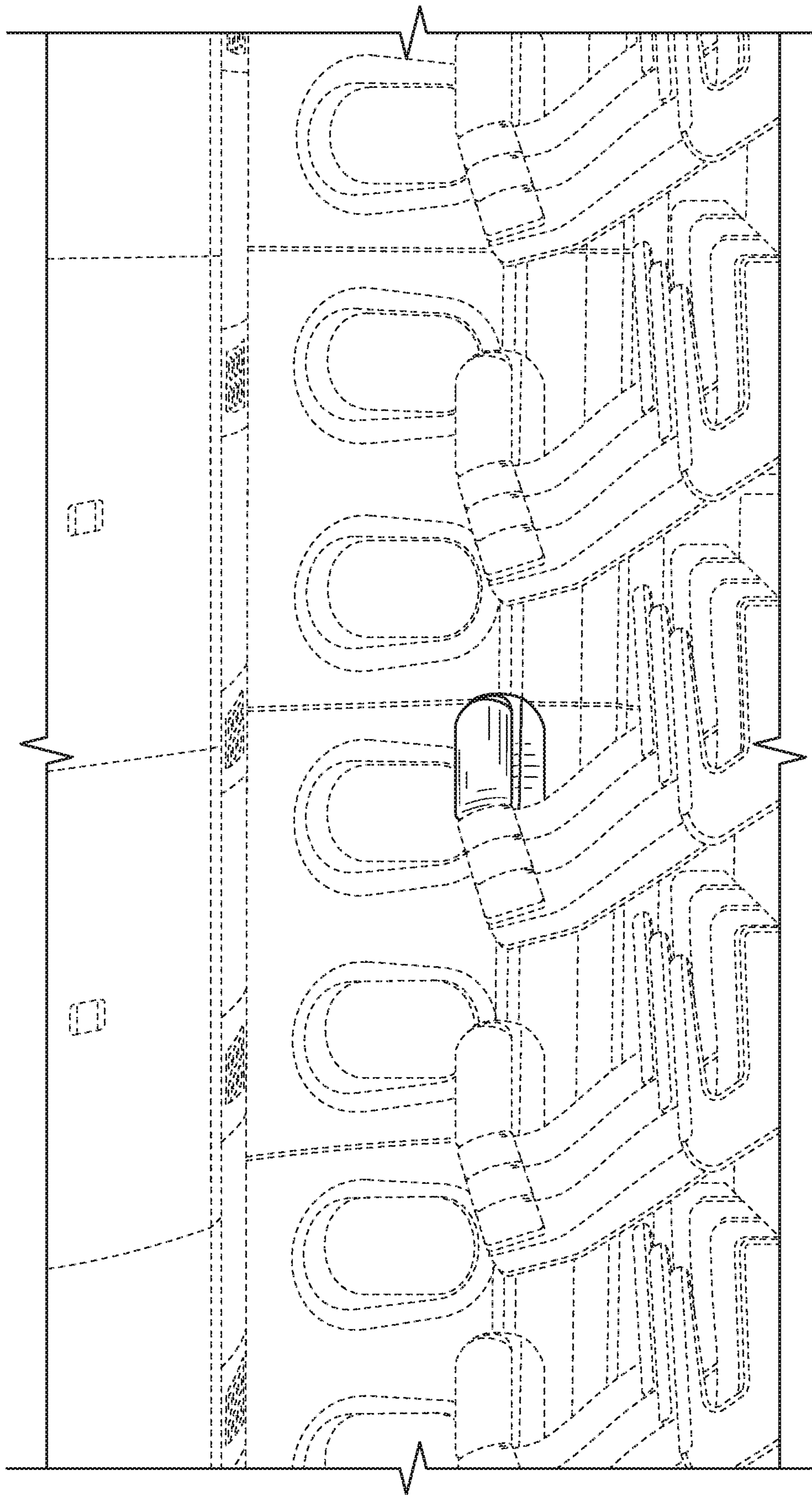


FIG. 24