



US00D895311S

(12) **United States Design Patent** (10) **Patent No.:** **US D895,311 S**
Kimmel (45) **Date of Patent:** **** Sep. 8, 2020**

- (54) **FURNITURE (BENCH)**
- (71) Applicant: **WeWork Companies Inc.**, New York, NY (US)
- (72) Inventor: **Adam Kimmel**, New York, NY (US)
- (73) Assignee: **WEWORK COMPANIES LLC**, New York, NY (US)
- (**) Term: **15 Years**
- (21) Appl. No.: **29/708,160**
- (22) Filed: **Oct. 3, 2019**

D727,644 S *	4/2015	Sorel	D6/349
D753,419 S *	4/2016	Heirakuji	D6/675
D765,450 S *	9/2016	Biddle	D6/691
D774,809 S *	12/2016	Grossinger	D6/691.3
D793,125 S *	8/2017	Bemis	D6/611
D808,671 S *	1/2018	Degara	D6/349
D834,841 S *	12/2018	Mandon	D6/349
D868,489 S *	12/2019	Mandon	D6/349
D869,867 S *	12/2019	Davis	D6/349
D870,474 S *	12/2019	Mandon	D6/349
D884,400 S *	5/2020	Chen	D6/705

Related U.S. Application Data

- (62) Division of application No. 29/668,637, filed on Oct. 31, 2018, now Pat. No. Des. 888,444.
- (51) **LOC (12) Cl.** **06-01**
- (52) **U.S. Cl.**
USPC **D6/349**
- (58) **Field of Classification Search**
USPC D6/334, 335, 349-353, 354, 355, 360,
D6/363, 364-365, 368, 596, 601, 604,
D6/691-691.9, 692-692.6, 716-716.1;
D25/65
CPC A47B 7/00-02; A47C 11/00; A47C 12/00;
A47C 13/00; A47C 16/00; A47C
16/02-04; A47C 9/00-105; A47K 17/02;
A47K 17/028
See application file for complete search history.

(56) **References Cited**

U.S. PATENT DOCUMENTS

D203,682 S *	2/1966	Klein et al.	D6/691
D246,142 S *	10/1977	Heumann	D6/349
D415,360 S *	10/1999	Lewis	D6/349
D591,090 S *	4/2009	Judkins	D6/691.8
D720,142 S *	12/2014	Nigro	D6/349

OTHER PUBLICATIONS

Brayden Studio Faucett Upholstered Storage Bench. [online] Retrieved May 22, 2020 from URL: <https://www.wayfair.com/furniture/pdx/brayden-studio-faucett-upholstered-storage-bench-w000913273.html>.*

Bernhardt Profile Upholstered Bench & Reviews. [online] Retrieved May 22, 2020 from URL: <https://www.wayfair.com/furniture/pdx/bernhardt-profile-upholstered-bench-bht5052.html>.*

* cited by examiner

Primary Examiner — Vy N Koenig

(74) *Attorney, Agent, or Firm* — Fross Zelnick Lehrman & Zissu, P.C.; Charles T. J. Weigell, Esq.

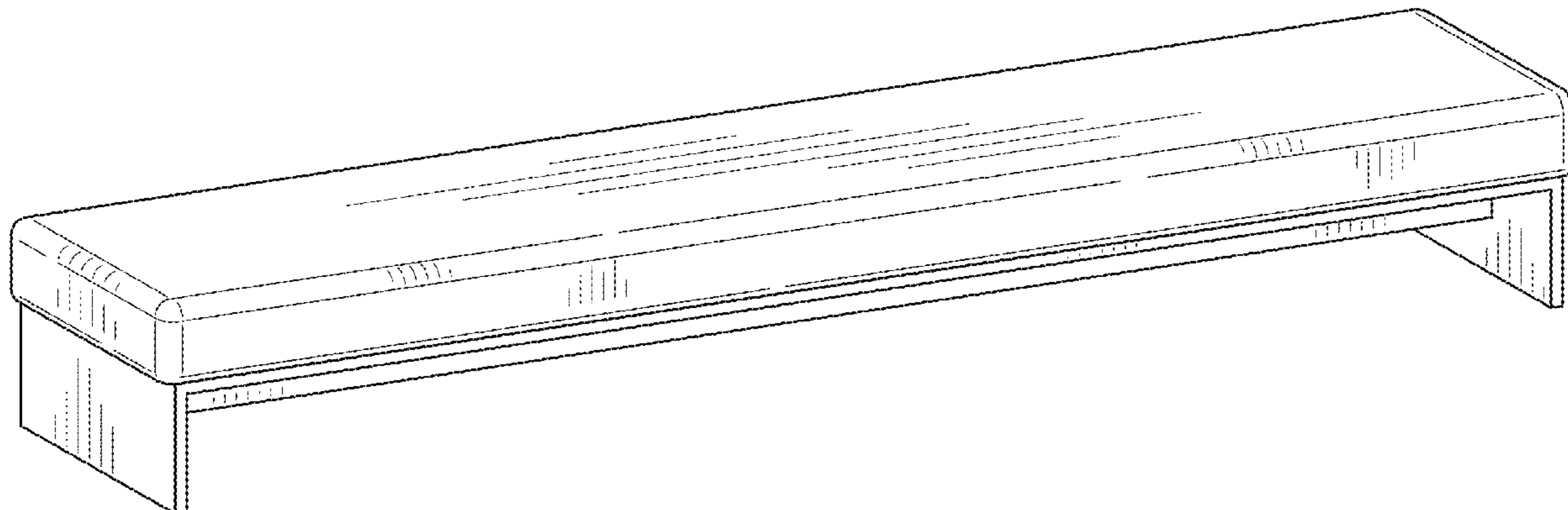
(57) **CLAIM**

The ornamental design for furniture (bench), as shown and described.

DESCRIPTION

FIG. 1 is a front perspective view of the furniture (bench) showing my new design;
FIG. 2 is a front view thereof;
FIG. 3 is a back view thereof;
FIG. 4 is a left side view thereof;
FIG. 5 is a right side view thereof;
FIG. 6 is a top view thereof; and,
FIG. 7 is a bottom view thereof.

1 Claim, 3 Drawing Sheets



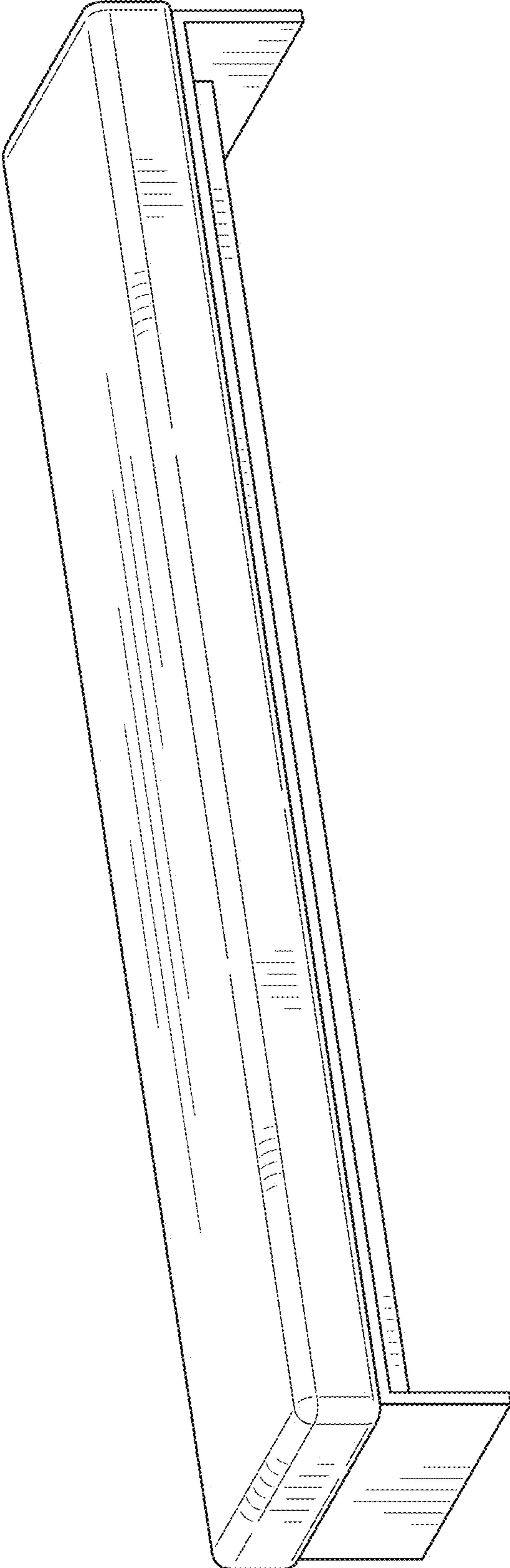


FIG. 1

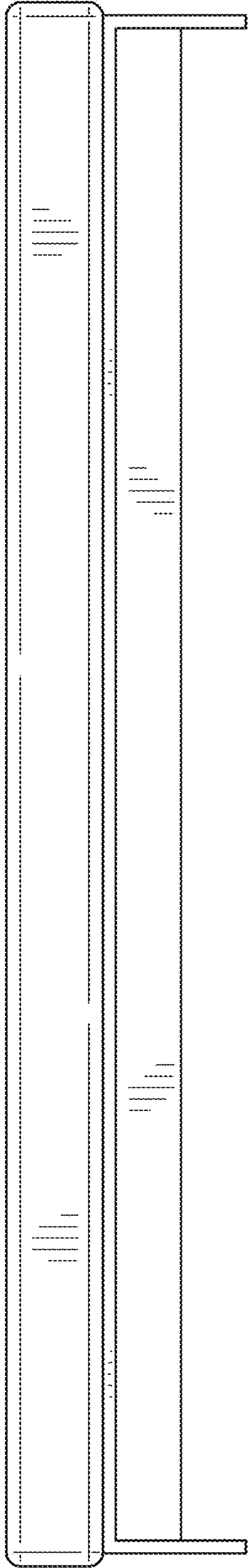


FIG. 2

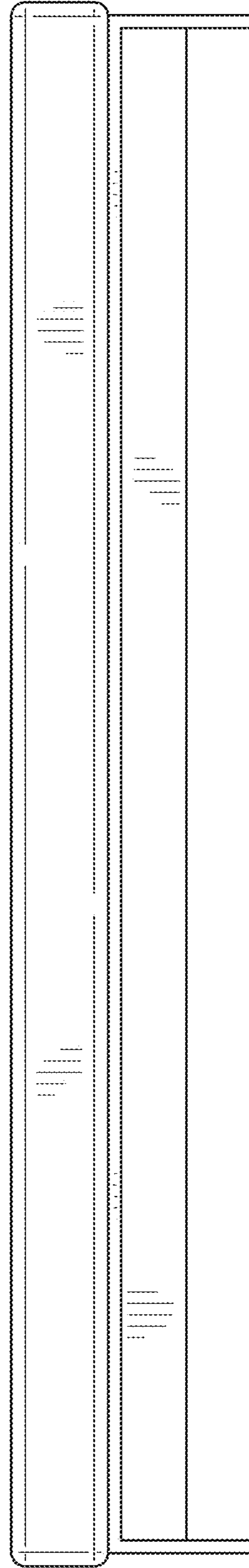


FIG. 3

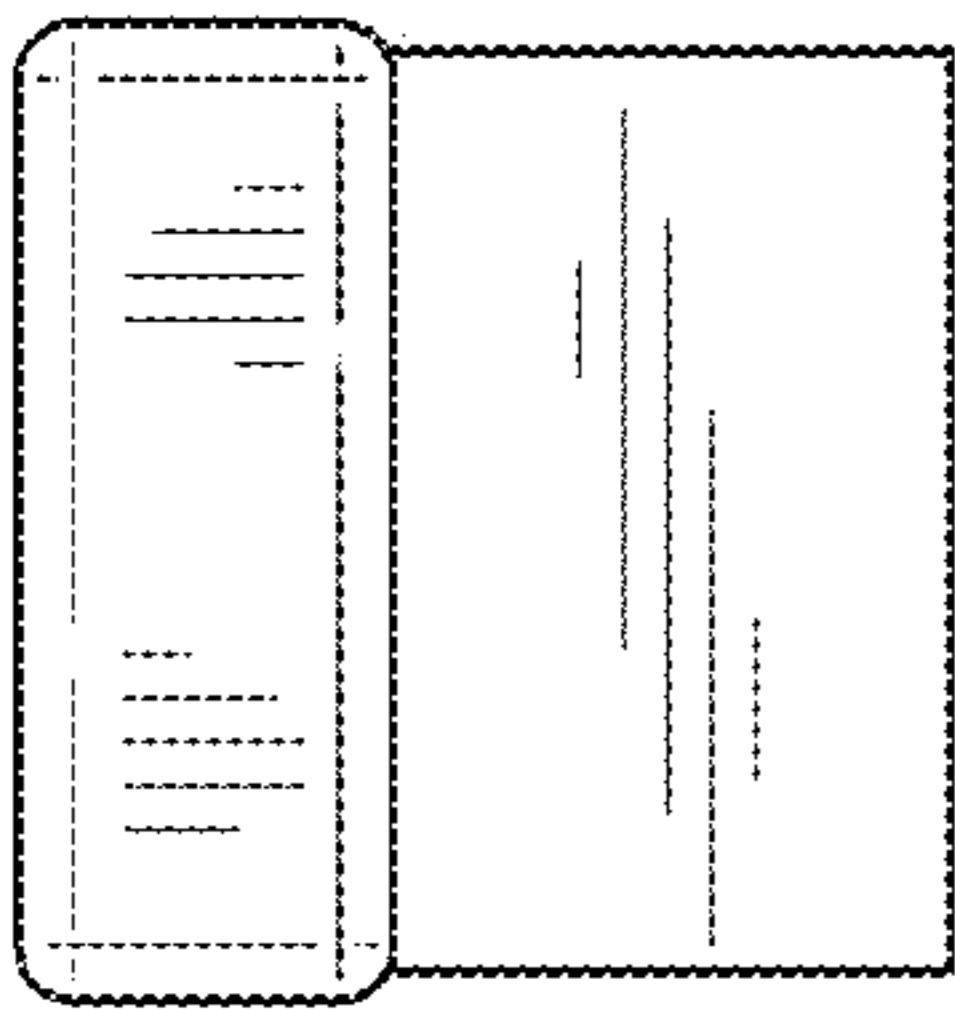


FIG. 4

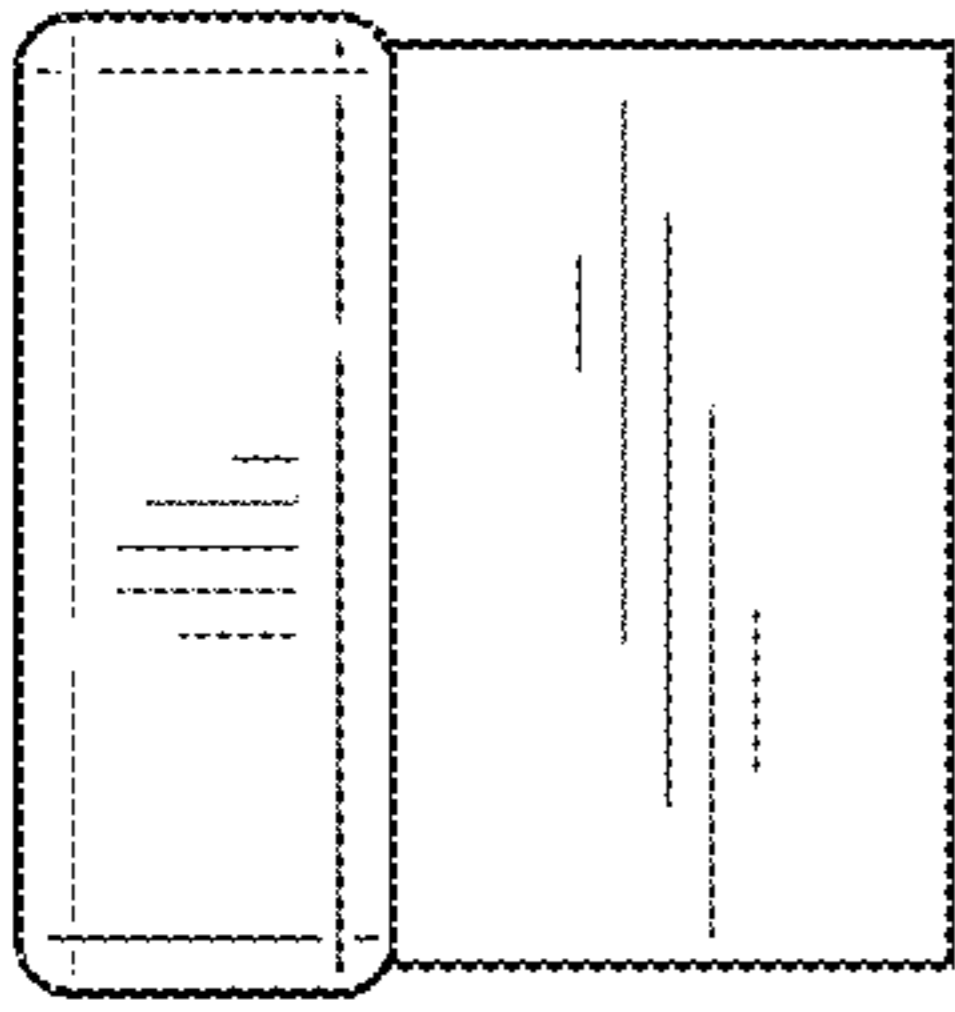


FIG. 5

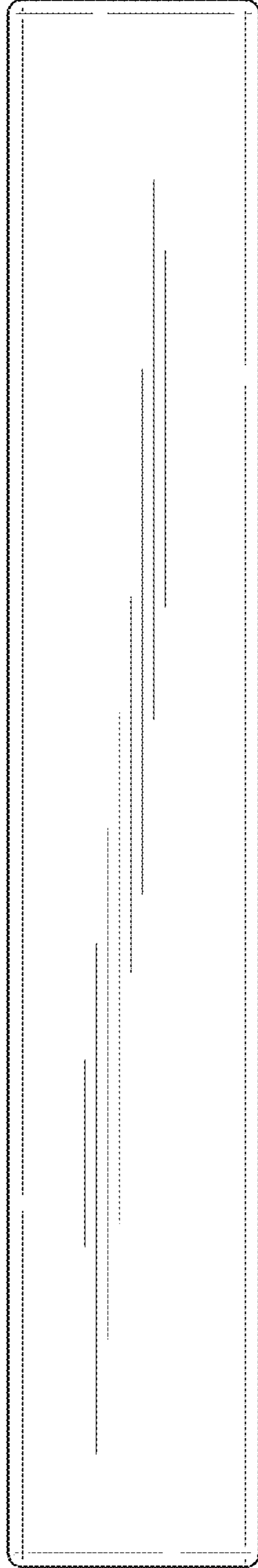


FIG. 6

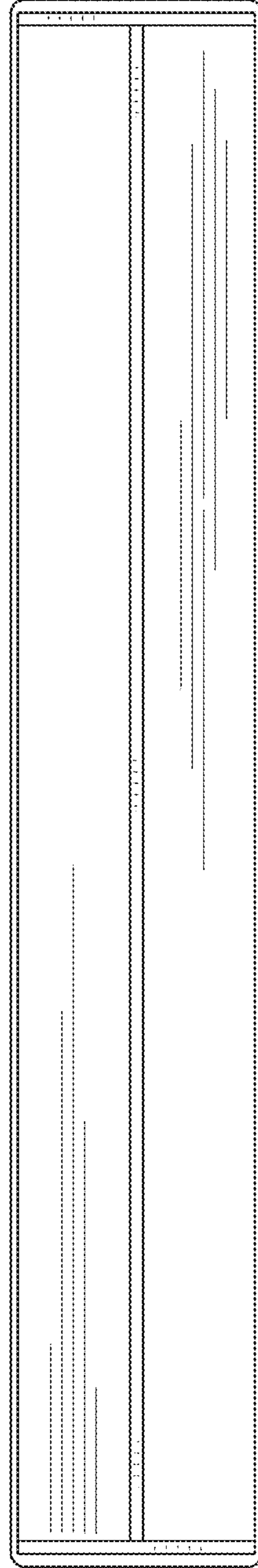


FIG. 7