



US00D895308S

(12) **United States Design Patent** (10) **Patent No.:** **US D895,308 S**
Czaja et al. (45) **Date of Patent:** **** Sep. 8, 2020**

(54) **CHAIR**
(71) Applicant: **Williams-Sonoma, Inc.**, San Francisco, CA (US)

D603,613 S * 11/2009 Wilson D6/334
D825,947 S * 8/2018 George, II D6/371
D859,859 S * 9/2019 Lopez D6/334
D874,167 S * 2/2020 Tian D6/334

(72) Inventors: **Megan Czaja**, Brooklyn, NY (US);
Edward Hale, Brooklyn, NY (US)

FOREIGN PATENT DOCUMENTS

EM 002938548-0008 * 1/2016

(73) Assignee: **Williams-Sonoma, Inc.**, San Francisco, CA (US)

OTHER PUBLICATIONS

Frostwood Seafoam Accent Chair [online], [site visited Apr. 2, 2020]. Available from internet, URL:<<https://www.roomstogo.com/furniture/product/frostwood-seafoam-accent-chair/10560440>> (Year: 2020).*

(**) Term: **15 Years**

* cited by examiner

(21) Appl. No.: **29/683,235**

(22) Filed: **Mar. 12, 2019**

(51) **LOC (12) Cl.** **06-01**

(52) **U.S. Cl.**
USPC **D6/334**

(58) **Field of Classification Search**
USPC D6/329, 334-335, 370-383, 716,
D6/716.1-716.8

CPC A47G 11/00; A47G 11/001; A47G 11/003;
A47G 11/008; A47G 19/00; A47G 21/00;
A47G 23/00

See application file for complete search history.

Primary Examiner — Cynthia Ramirez
Assistant Examiner — Xavier Marti-Santos
(74) *Attorney, Agent, or Firm* — Cook Alex Ltd.; R. Blake Johnston

(57) **CLAIM**

The ornamental design for a chair, as shown and described.

DESCRIPTION

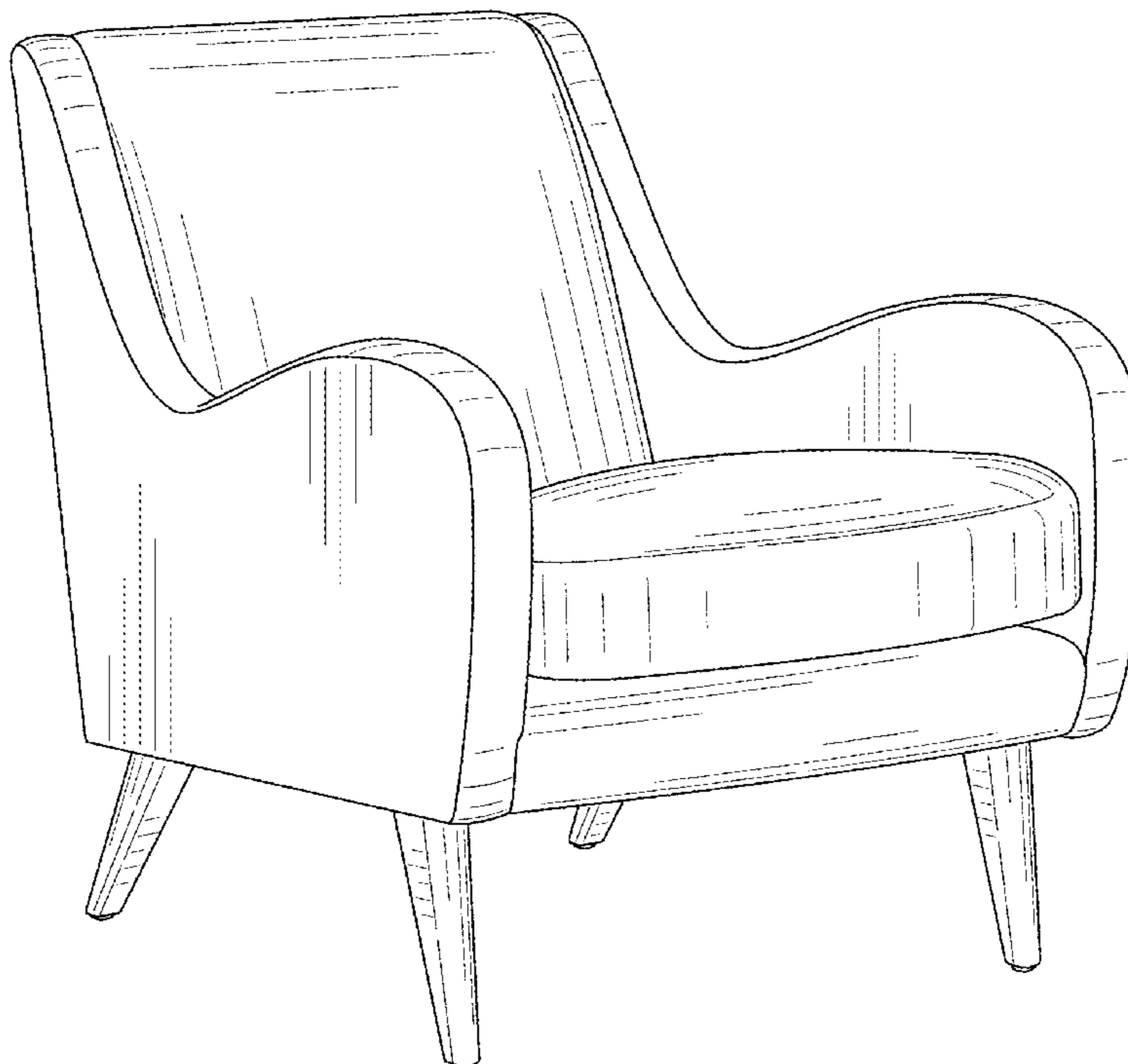
FIG. 1 is a perspective view of the chair;
FIG. 2 is a front elevational view of the chair;
FIG. 3 is a rear elevational view of the chair;
FIG. 4 is a left side elevational view of the chair, the opposite side of which is a mirror image;
FIG. 5 is a top plan view of the chair; and
FIG. 6 is a bottom plan view of the chair.
The broken lines shown in the drawings illustrate portions of the chair, which form no part of the claimed design.

(56) **References Cited**

U.S. PATENT DOCUMENTS

D158,046 S * 4/1950 Carr D6/334
D177,454 S * 4/1956 Young D6/334
D282,607 S * 2/1986 Palmer D6/334
D465,341 S * 11/2002 Hutton D6/334
D498,598 S * 11/2004 Schweikarth D6/334
D565,309 S * 4/2008 Cramer D6/334

1 Claim, 6 Drawing Sheets



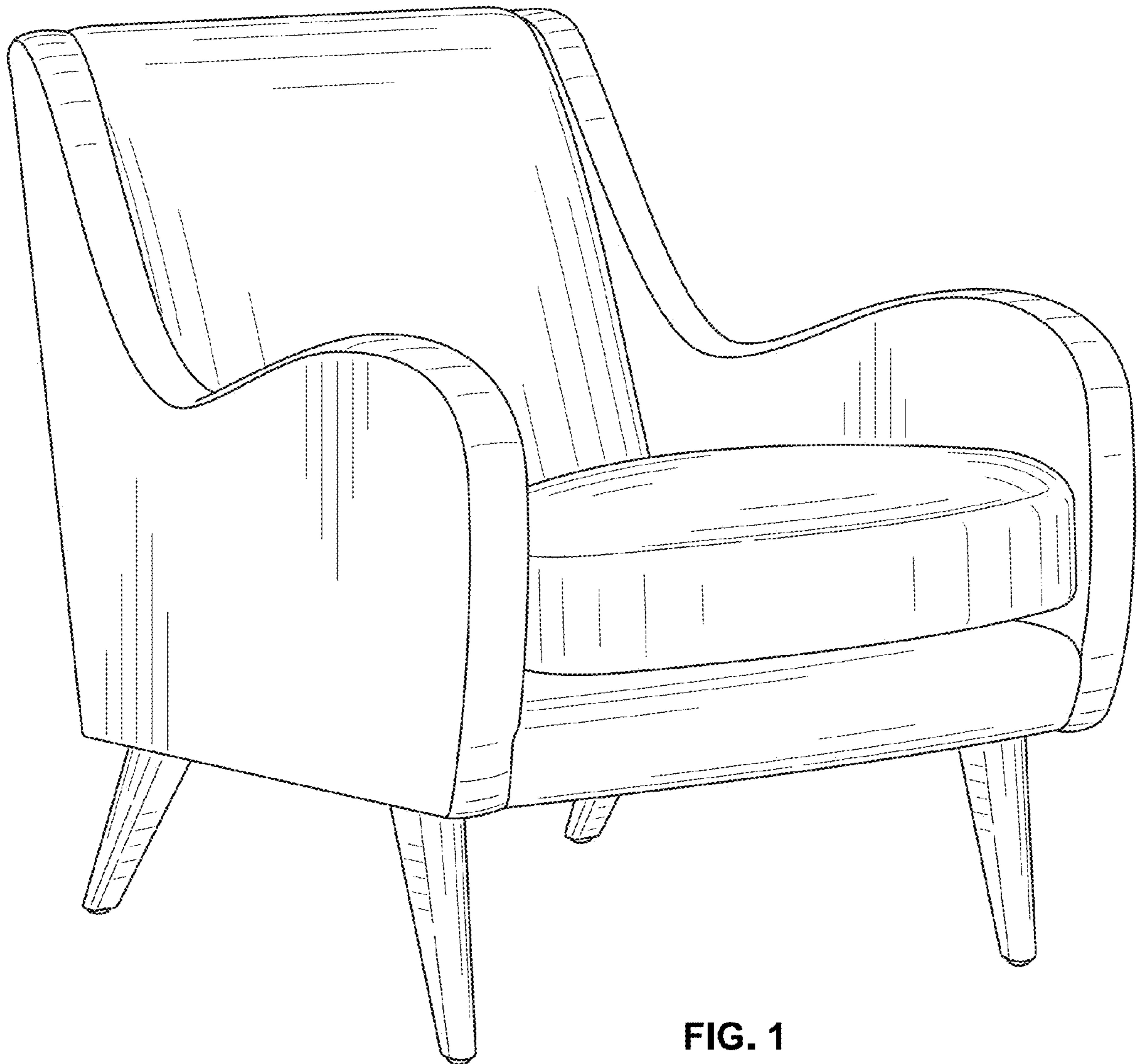


FIG. 1

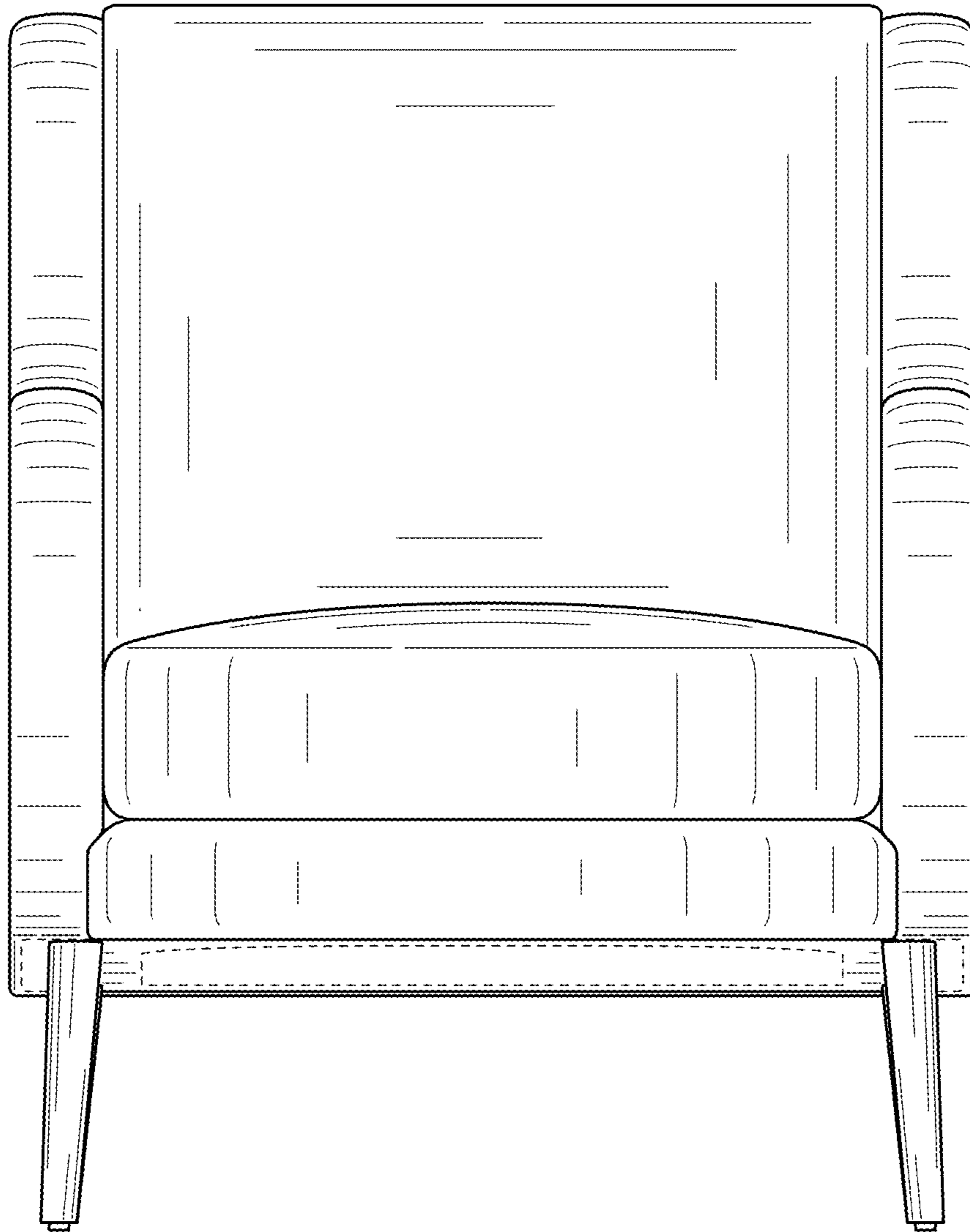


FIG. 2

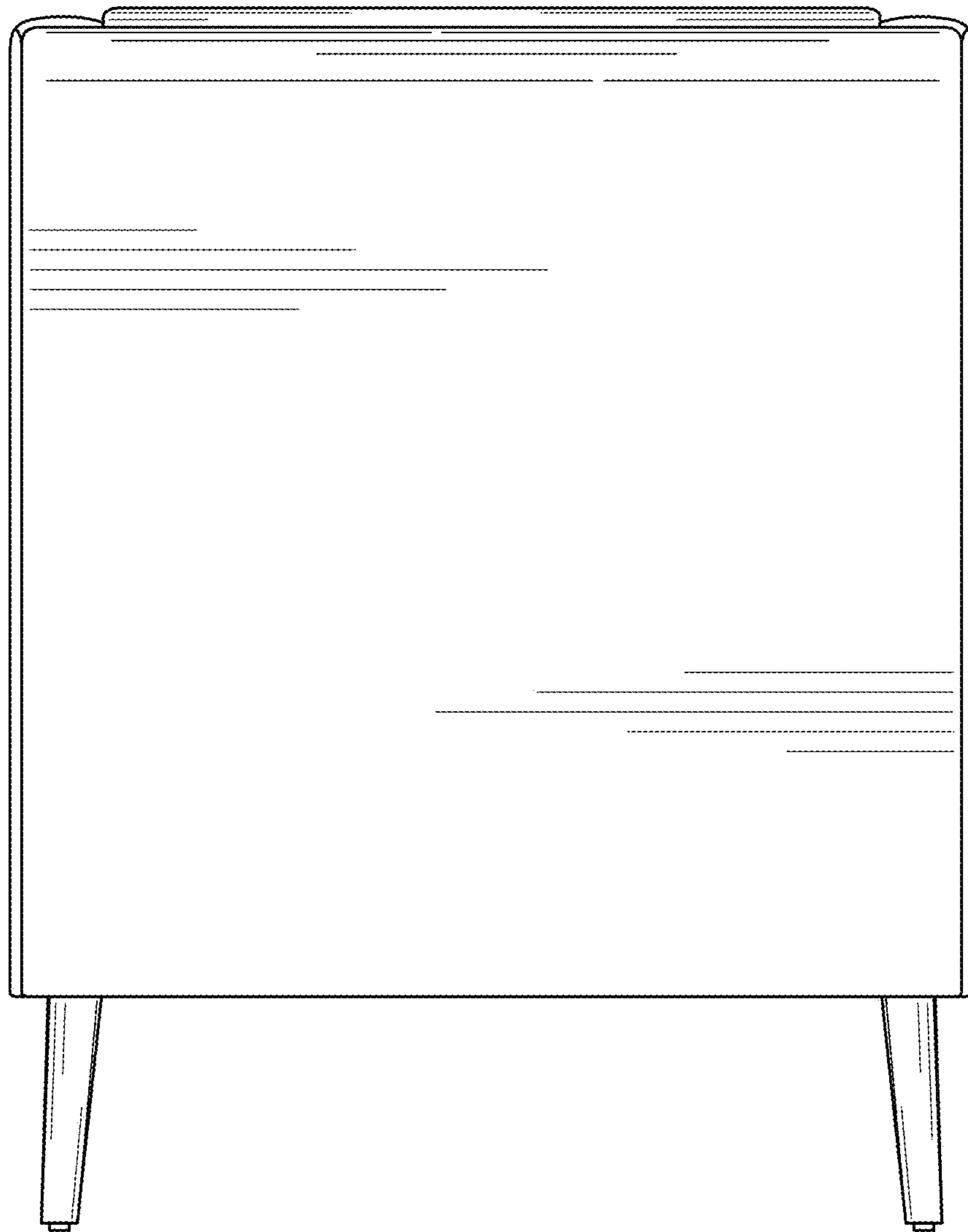


FIG. 3

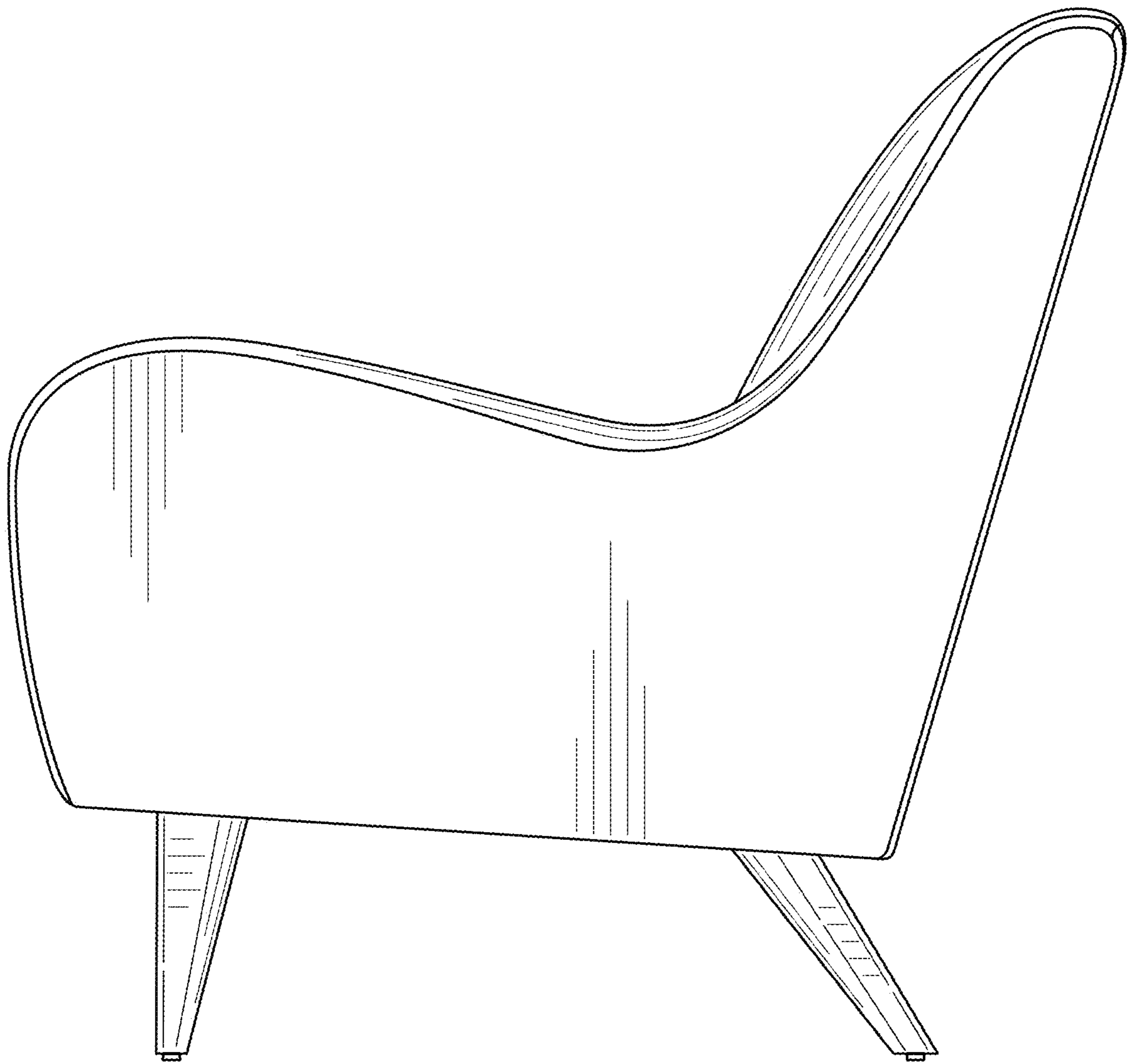


FIG. 4

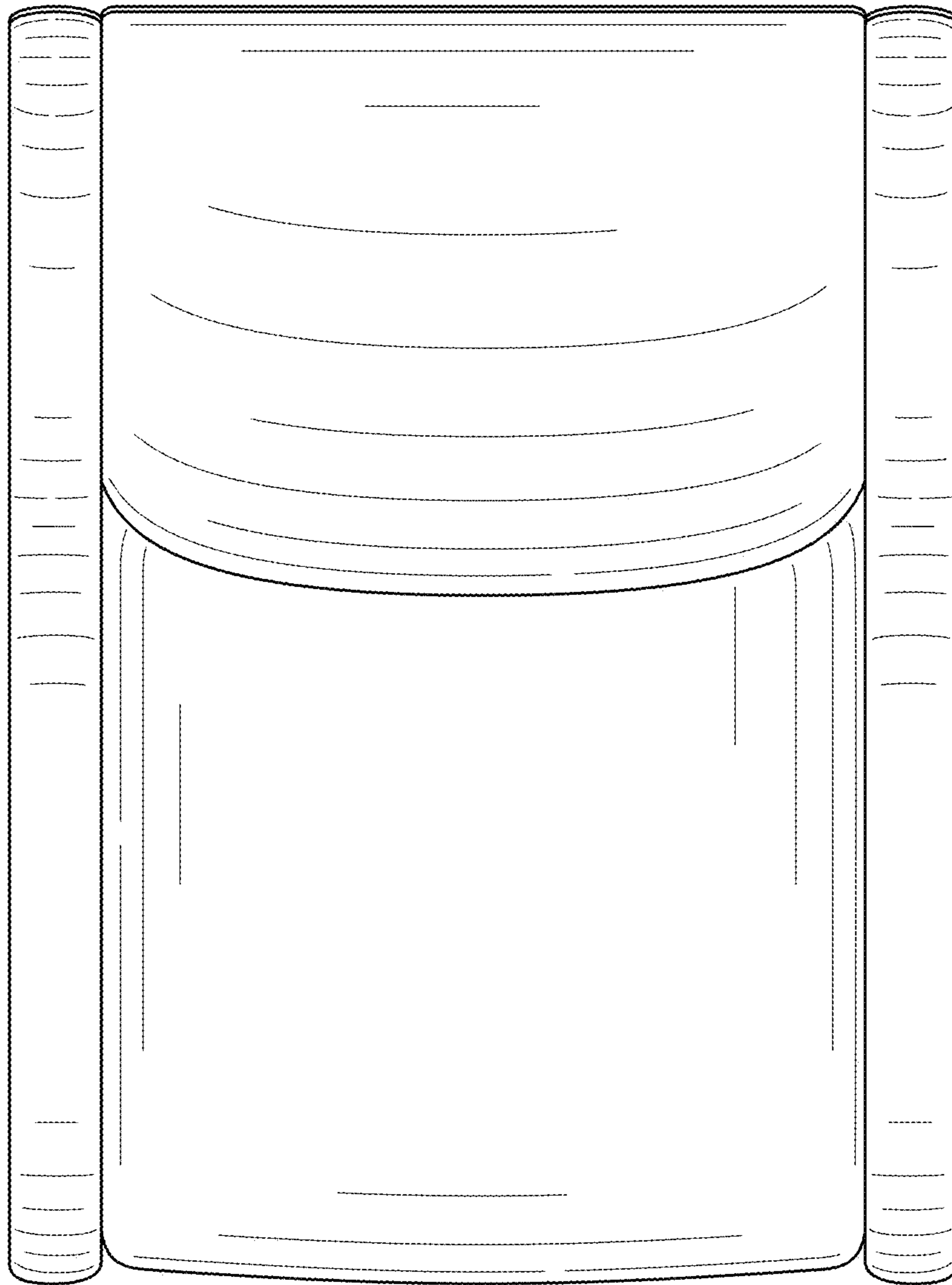


FIG. 5

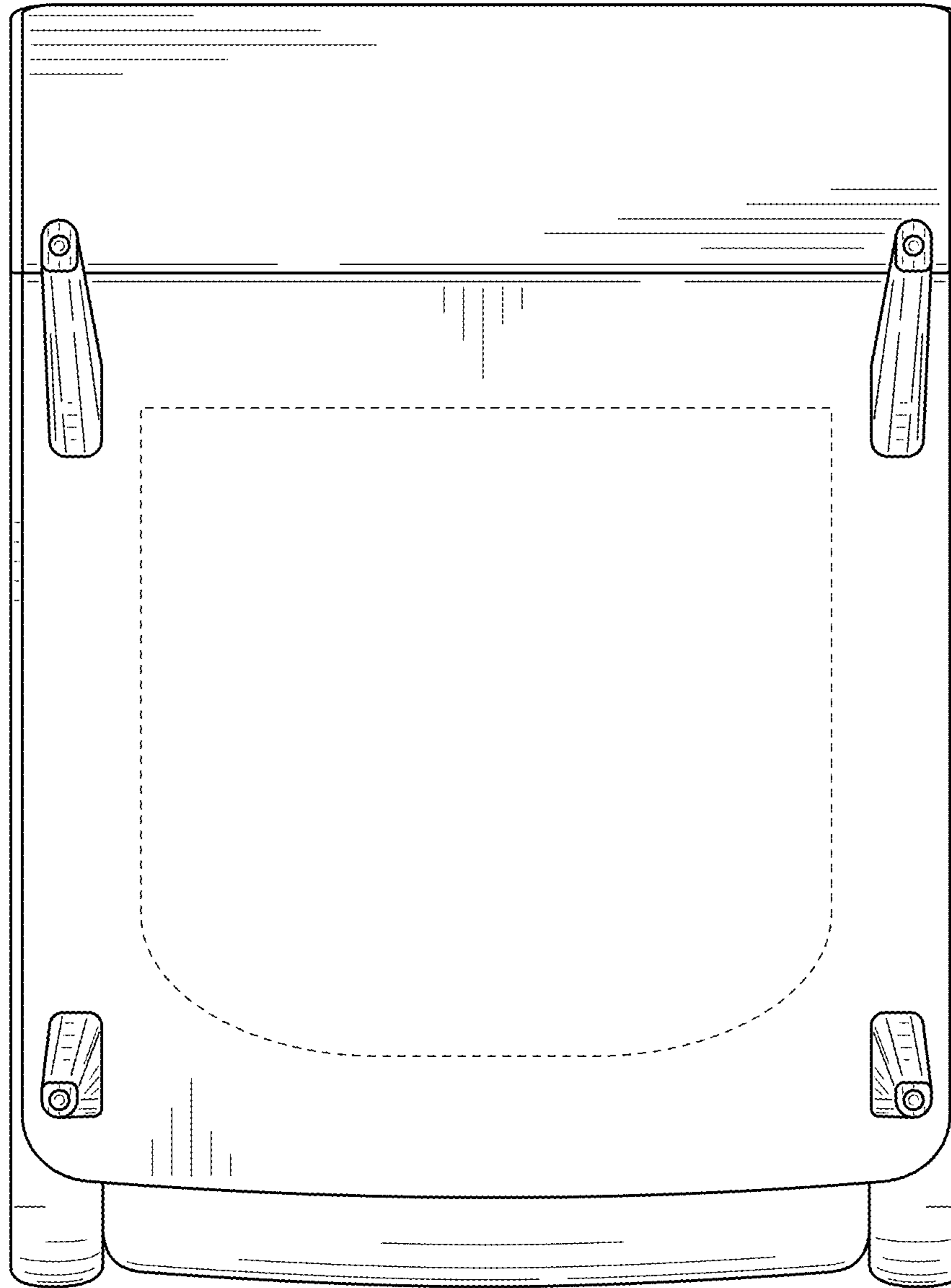


FIG. 6