



US00D895306S

(12) **United States Design Patent** (10) **Patent No.:** **US D895,306 S**
Liu (45) **Date of Patent:** **** Sep. 8, 2020**

(54) **MIRROR**

(71) Applicant: **Shenzhen JianYuanDa Mirror Technology Co., Ltd.**, Shenzhen, Guangdong Province (CN)

(72) Inventor: **Changwei Liu**, Shenzhen (CN)

(**) Term: **15 Years**

(21) Appl. No.: **29/689,993**

(22) Filed: **May 3, 2019**

(51) **LOC (12) Cl.** **06-07**

(52) **U.S. Cl.**
USPC **D6/310; D6/309**

(58) **Field of Classification Search**
USPC D6/300-314; D28/64.1, 64.8
CPC A45D 42/00; A45D 42/24; A45D 42/14;
A45D 42/16; A45D 42/10; A45D 42/08;
F21V 21/0965; F21V 21/30; F21V
33/004; A47G 1/00; A47G 1/06; A47G
1/0616; A47G 1/14; A47G 1/141
See application file for complete search history.

(56) **References Cited**

U.S. PATENT DOCUMENTS

D509,369 S *	9/2005	Snell	D6/310
D701,050 S *	3/2014	Yang	D6/309
D730,065 S *	5/2015	Tsai	D6/310
D736,001 S *	8/2015	Yang	D6/309
D779,836 S *	2/2017	Bailey	D6/309
D793,099 S *	8/2017	Bailey	D14/172
D825,940 S *	8/2018	Liu	D6/309
D840,699 S *	2/2019	Xie	D6/309
D846,288 S *	4/2019	Yang	D6/309
D871,084 S *	12/2019	Pestl	D6/309
D874,161 S *	2/2020	Yang	D6/309
D874,162 S *	2/2020	Greenwalt	D6/310
D877,522 S *	3/2020	Boehm	D6/309
D879,481 S *	3/2020	Yang	D6/309
D879,482 S *	3/2020	Yang	D6/309

D880,774 S *	4/2020	Babayan	D28/64.6
D882,280 S *	4/2020	Yang	D6/309
2005/0068646 A1 *	3/2005	Lev	A45D 42/24 359/871
2019/0003699 A1 *	1/2019	Mondora	A45D 42/10

FOREIGN PATENT DOCUMENTS

EM 006379103-0001 * 5/2019

OTHER PUBLICATIONS

Dimmable light three color lights effect rechargerable battery double sides hand held mirror, available May 11, 2020, [online], [site visited May 11, 2020]. Available from internet, URL: <https://huijia.manufacturer.globalsources.com/si/6008843386536/pdtl/Handheld-mirror/1171760768/hand-held-mirror.htm> (Year: 2020).*

LED Handheld Mirror, available May 11, 2020, [online], [site visited May 11, 2020]. Available from internet, URL: <https://www.hktdc.com/suppliers-products/LED-Handheld-Mirror/en/1X08YTC9/2708956/> (Year: 2020).*

* cited by examiner

Primary Examiner — W. A. Teddy Falloway
(74) *Attorney, Agent, or Firm* — Novoclaims Patent Services LLC; Mei Lin Wong

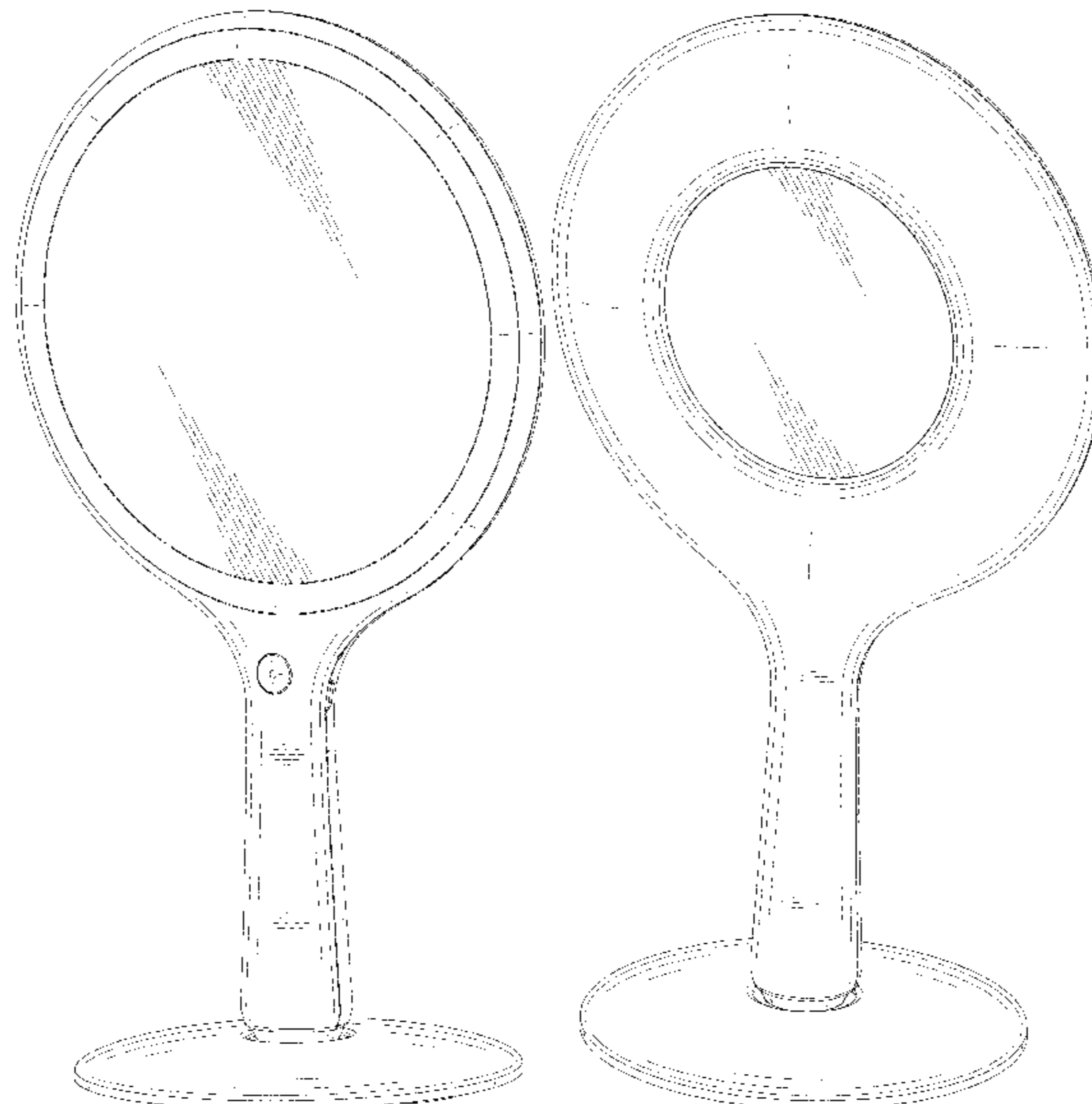
(57) **CLAIM**

The ornamental design for a mirror, as shown and described.

DESCRIPTION

FIG. 1 is a perspective view of a mirror, showing my new design;
FIG. 2 is another perspective view thereof;
FIG. 3 is another perspective view thereof;
FIG. 4 is a front view thereof;
FIG. 5 is a rear view thereof;
FIG. 6 is a left side view thereof;
FIG. 7 is a right side view thereof;
FIG. 8 is a top view thereof; and,
FIG. 9 is a bottom view thereof.

1 Claim, 9 Drawing Sheets



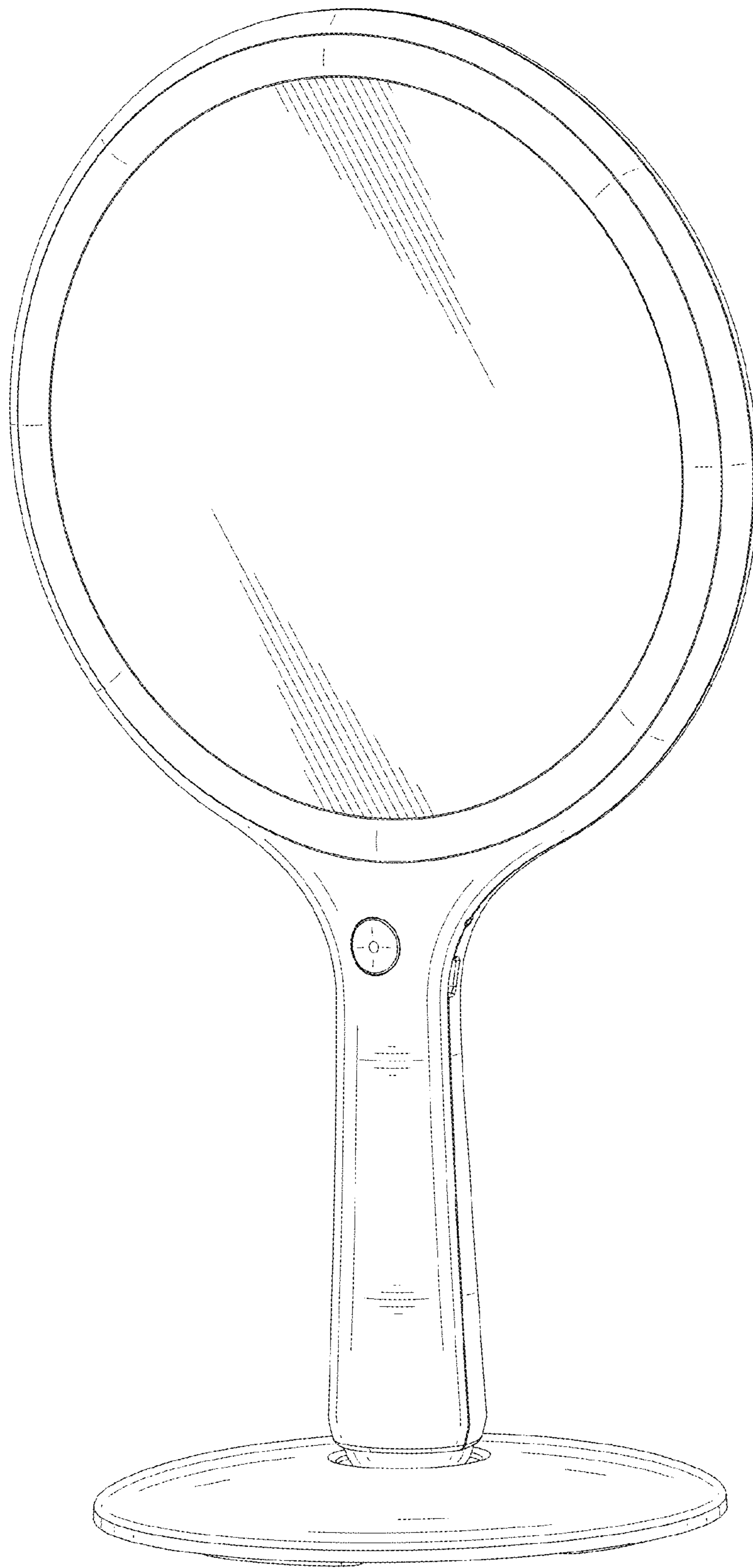


FIG. 1

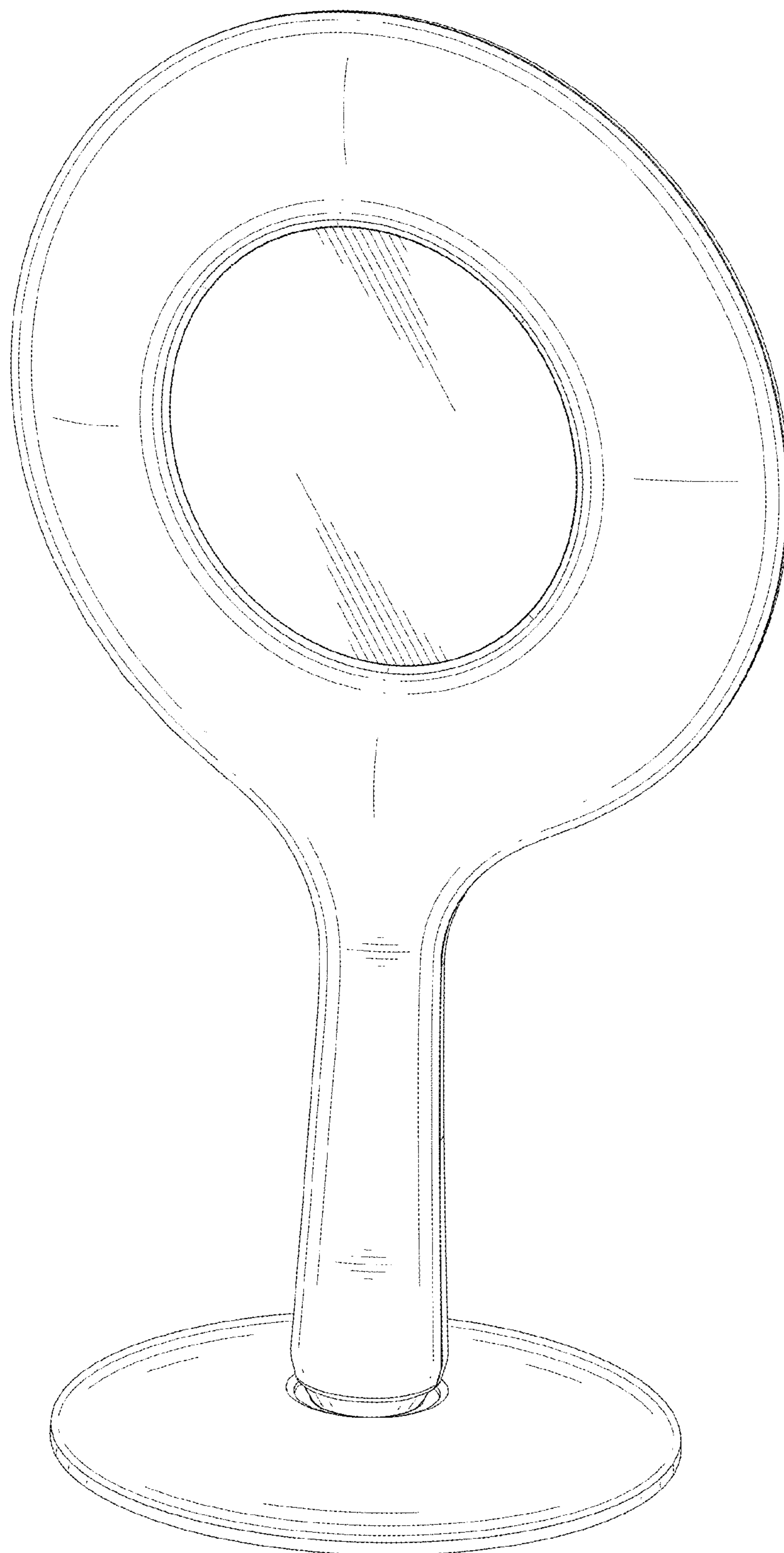


FIG. 2

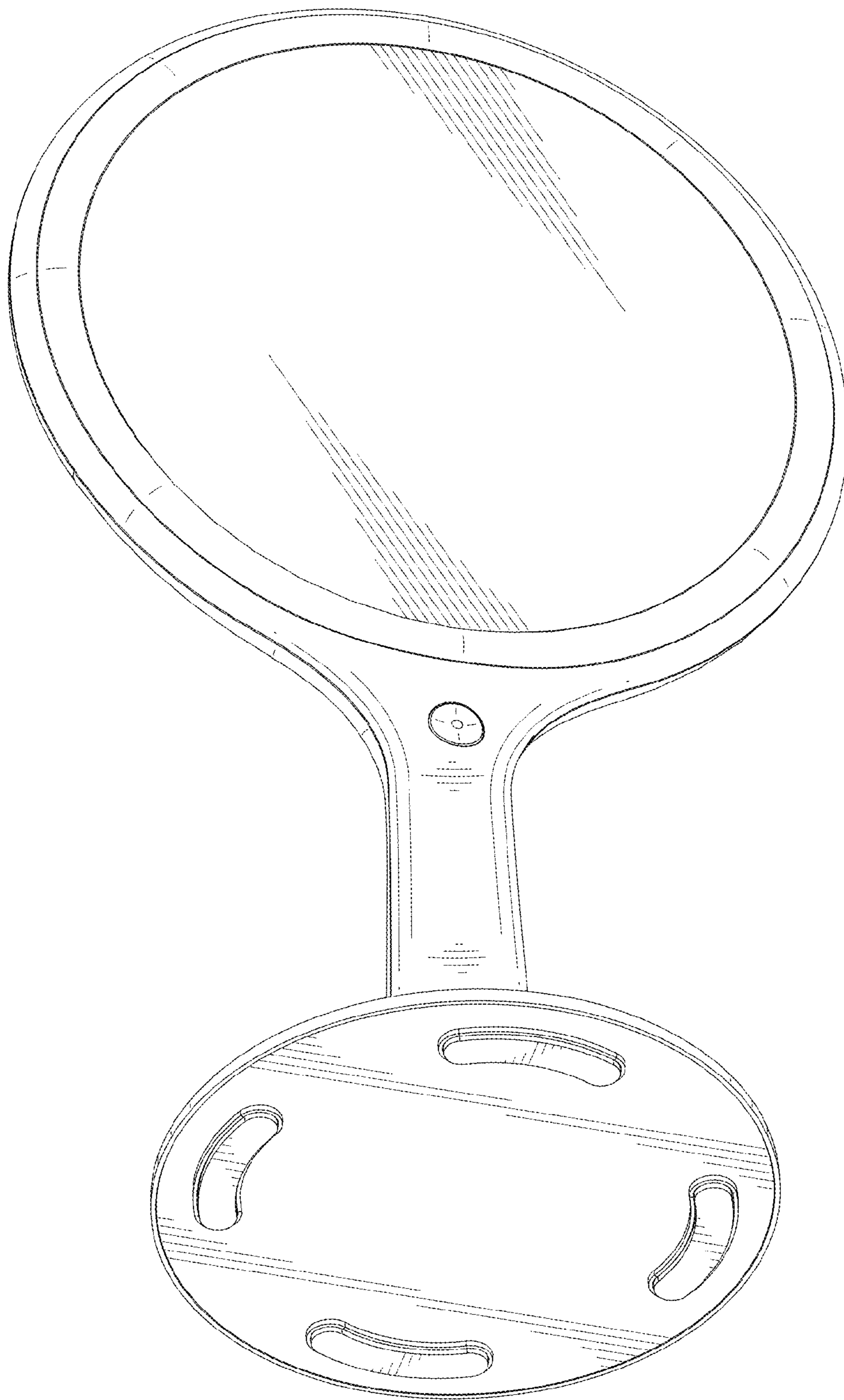


FIG.3

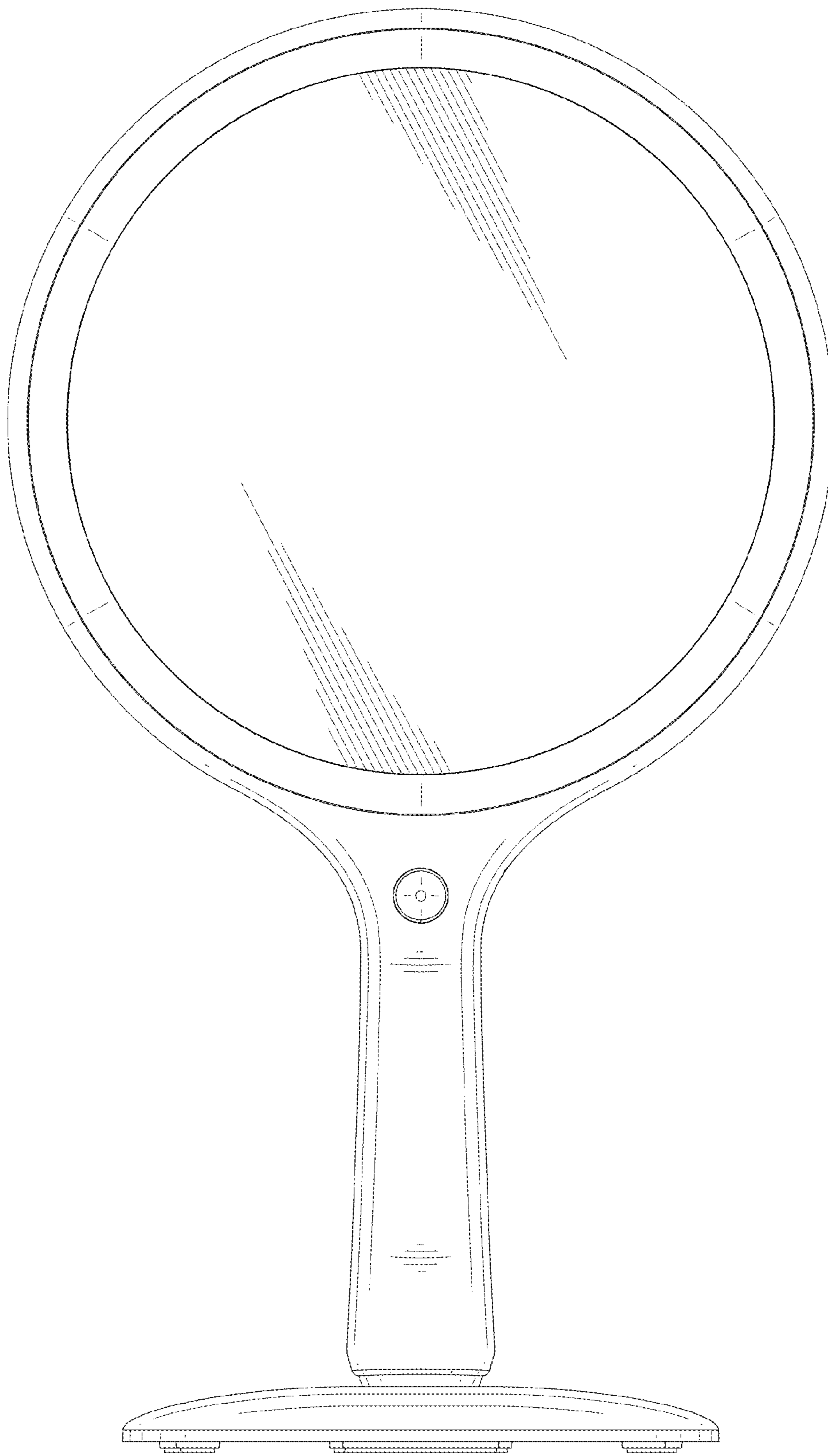


FIG.4

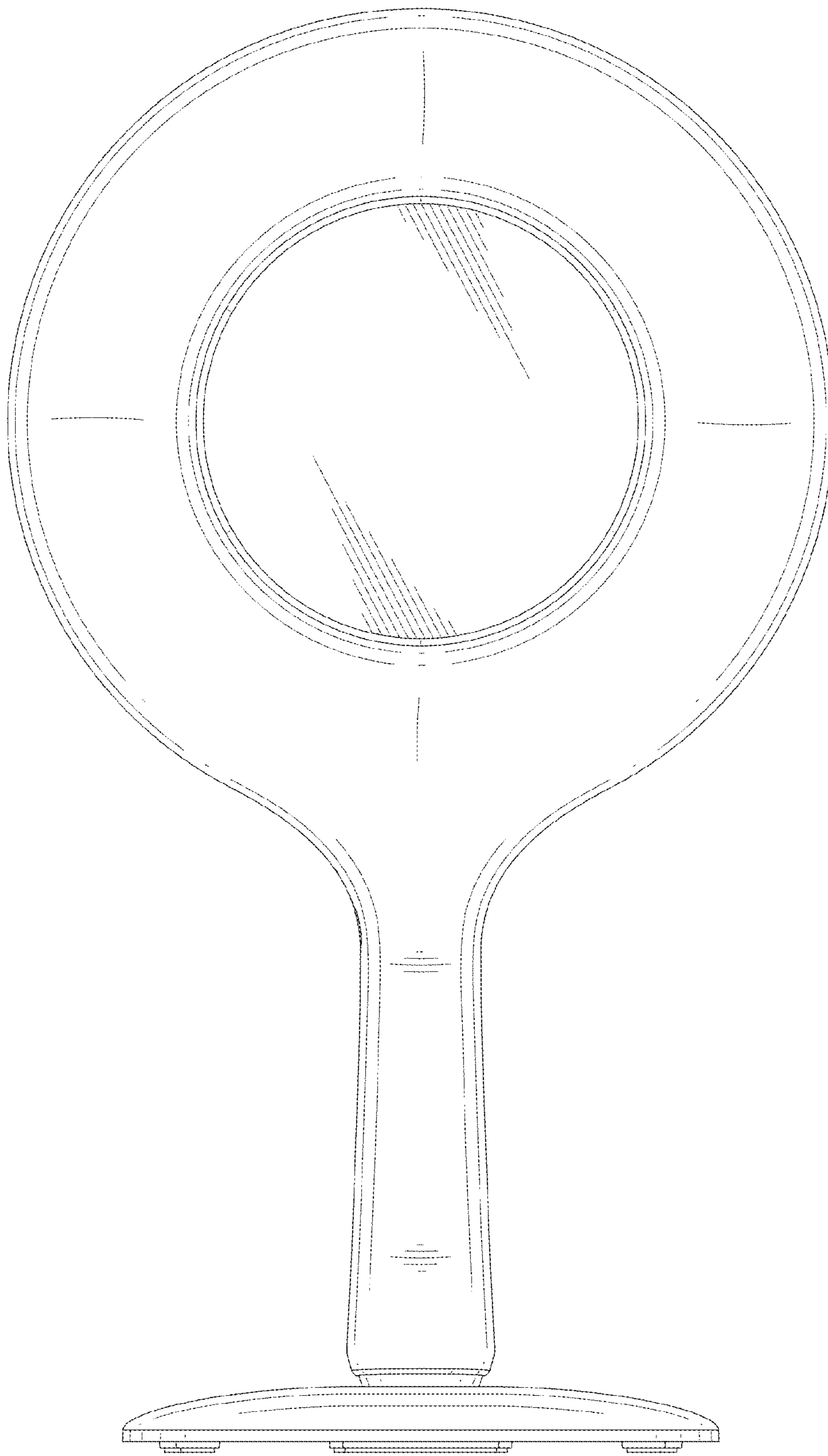


FIG.5

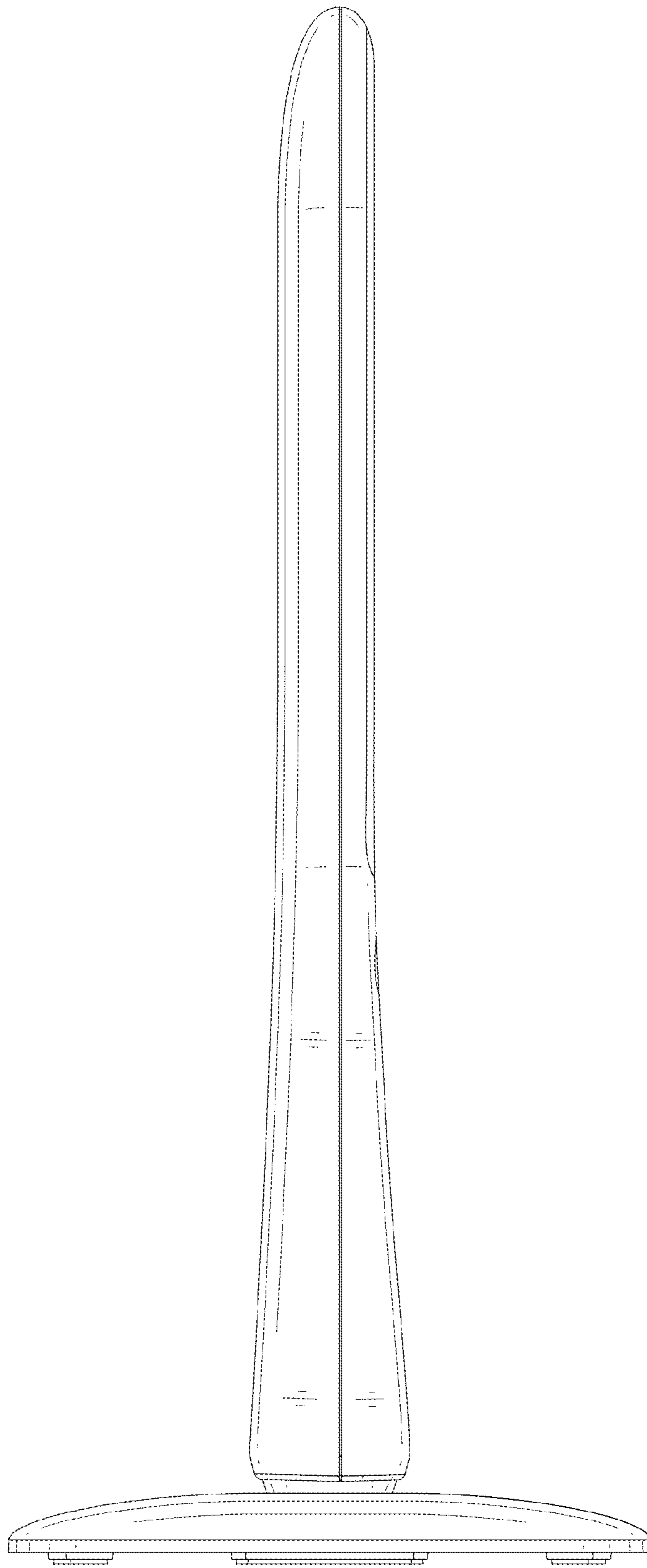


FIG.6

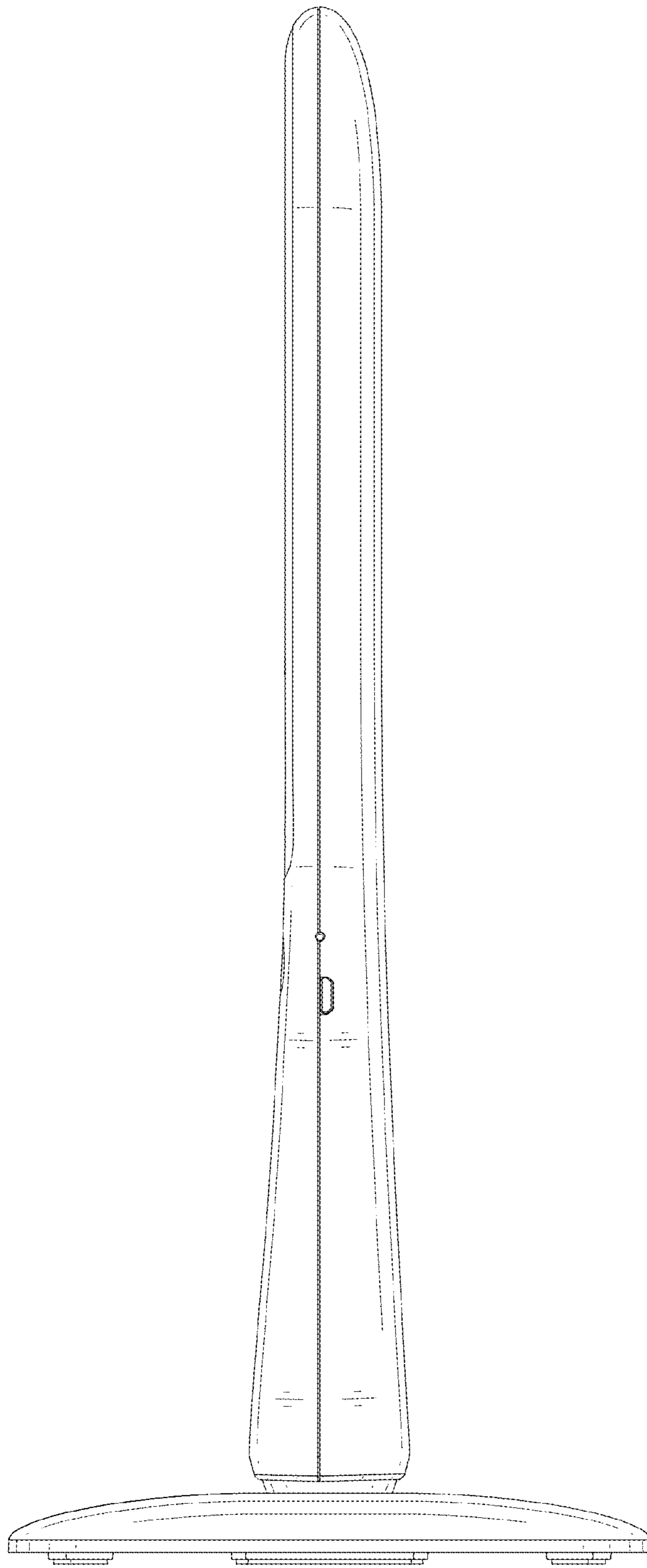


FIG.7

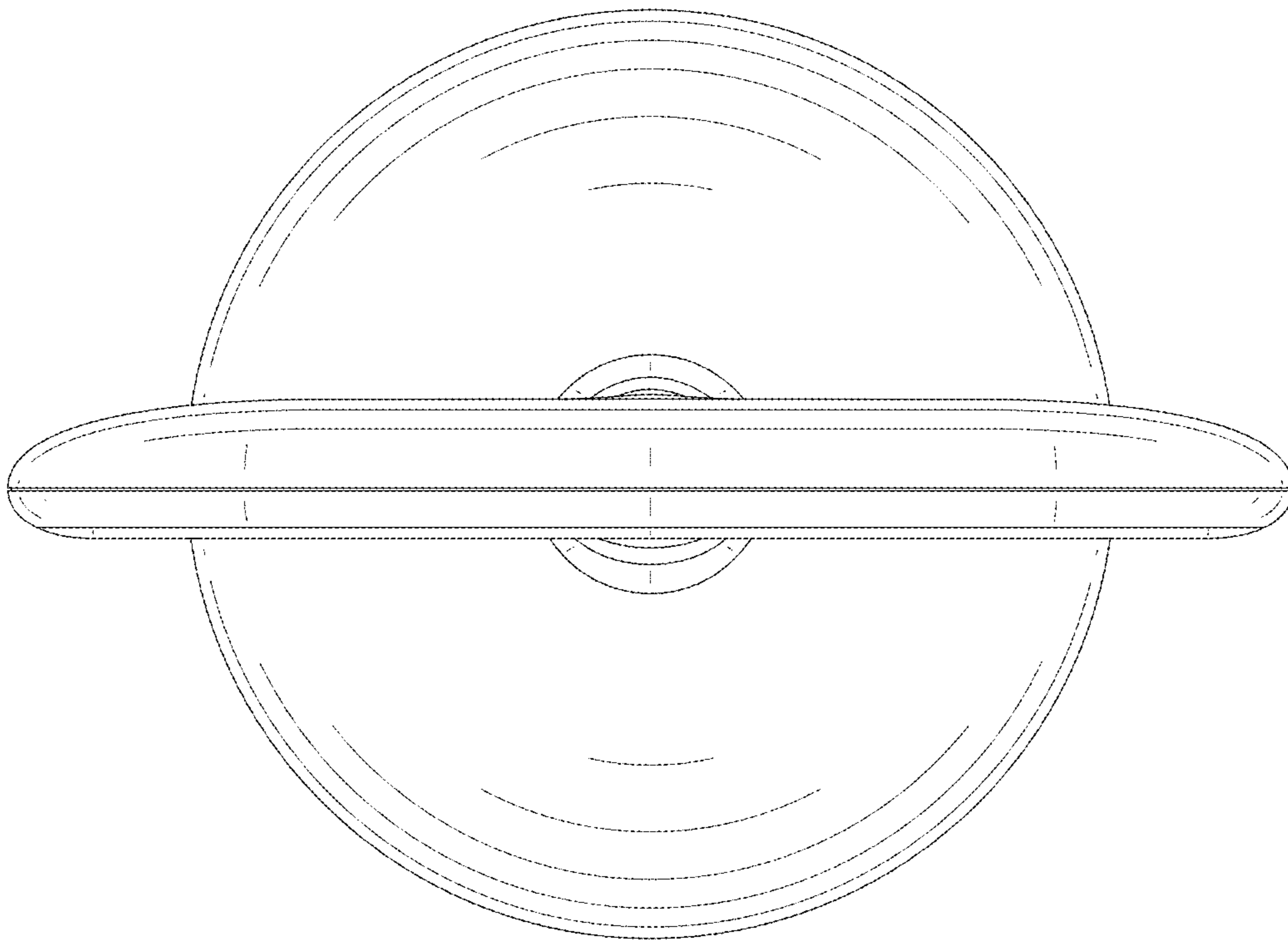


FIG.8

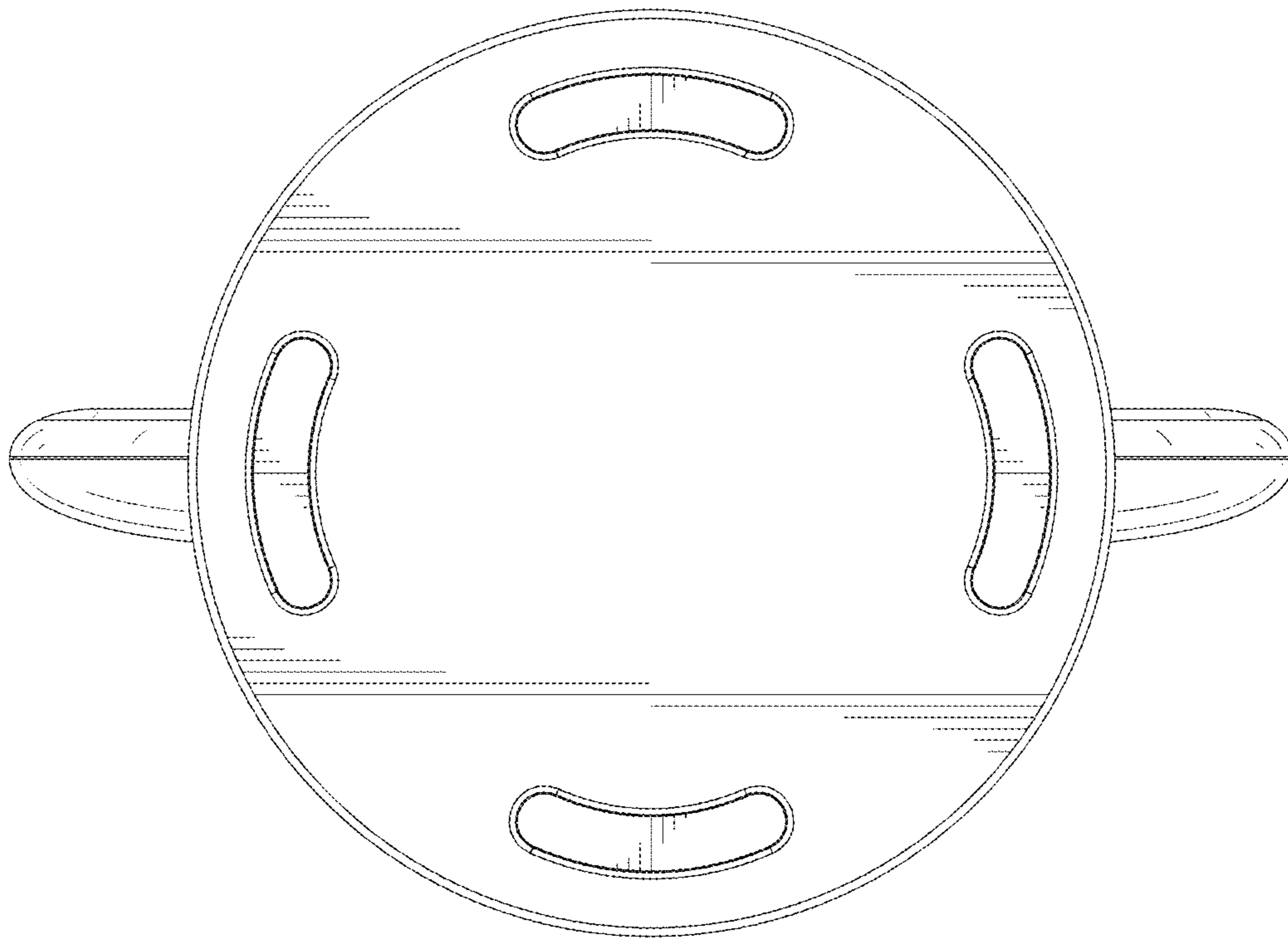


FIG.9