



US00D895300S

(12) **United States Design Patent** (10) **Patent No.:** **US D895,300 S**
Sun (45) **Date of Patent:** **** Sep. 8, 2020**

(54) **HAIRBRUSH**

(71) Applicant: **NINGBO BELAIR TRADING CO., LTD.**, Ningbo, Zhejiang (CN)

(72) Inventor: **Haili Sun**, Zhejiang (CN)

(73) Assignee: **NINGBO BELAIR TRADING CO., LTD.**, Ningbo, Zhejiang (CN)

(**) Term: **15 Years**

(21) Appl. No.: **29/667,137**

(22) Filed: **Oct. 18, 2018**

(51) **LOC (12) Cl.** **04-02**

(52) **U.S. Cl.**
USPC **D4/134**

(58) **Field of Classification Search**
USPC D4/100, 116, 121, 130, 132, 134, 136,
D4/138, 199; D28/13, 24, 28, 31, 35, 25,
D28/15

CPC A46B 9/02; A46B 9/023; A46B 9/028;
A46B 15/0059; A46B 2200/104

See application file for complete search history.

(56) **References Cited**

U.S. PATENT DOCUMENTS

- 674,120 A * 5/1901 Montgomery A46B 7/04
15/176.5
- 2,770,827 A * 11/1956 Brandenburg A46B 11/063
401/291
- 3,314,096 A * 4/1967 Berliner A46B 9/10
15/207.2
- D319,924 S * 9/1991 Carranza D4/138

- D543,705 S * 6/2007 Leung D4/133
- D803,574 S * 11/2017 Munitz D4/132
- D820,603 S * 6/2018 Yoon D4/138
- D828,040 S * 9/2018 Rosenzweig D4/138
- D845,644 S * 4/2019 Kuo D4/134
- D874,833 S * 2/2020 York D4/116
- D879,476 S * 3/2020 Rennette D4/138

FOREIGN PATENT DOCUMENTS

- EM 004023935-0002 * 6/2017
- EM 005818028-0005 * 11/2018

* cited by examiner

Primary Examiner — Karen E Eldridge Powers

(74) *Attorney, Agent, or Firm* — Muncy, Geissler, Olds & Lowe, P.C.

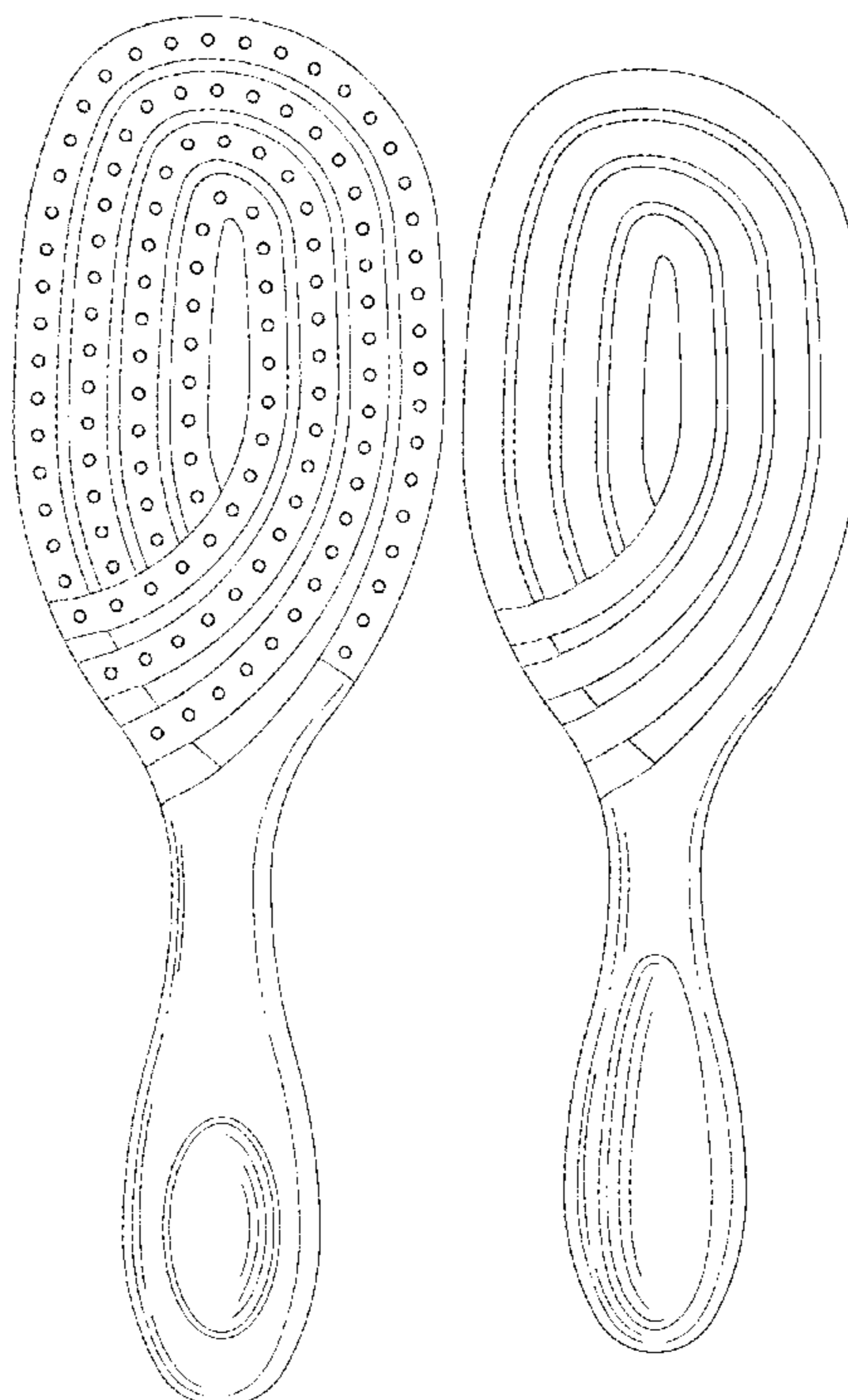
(57) **CLAIM**

The ornamental design for a hairbrush, as shown and described.

DESCRIPTION

FIG. 1 is a Perspective view of a hairbrush showing my new design;
 FIG. 2 is a Front elevational view thereof;
 FIG. 3 is a Rear elevational view thereof;
 FIG. 4 is a Right side elevational view thereof;
 FIG. 5 is a Left side elevational view thereof;
 FIG. 6 is an enlarged Top plan view thereof; and,
 FIG. 7 is an enlarged Bottom plan view thereof.

1 Claim, 7 Drawing Sheets



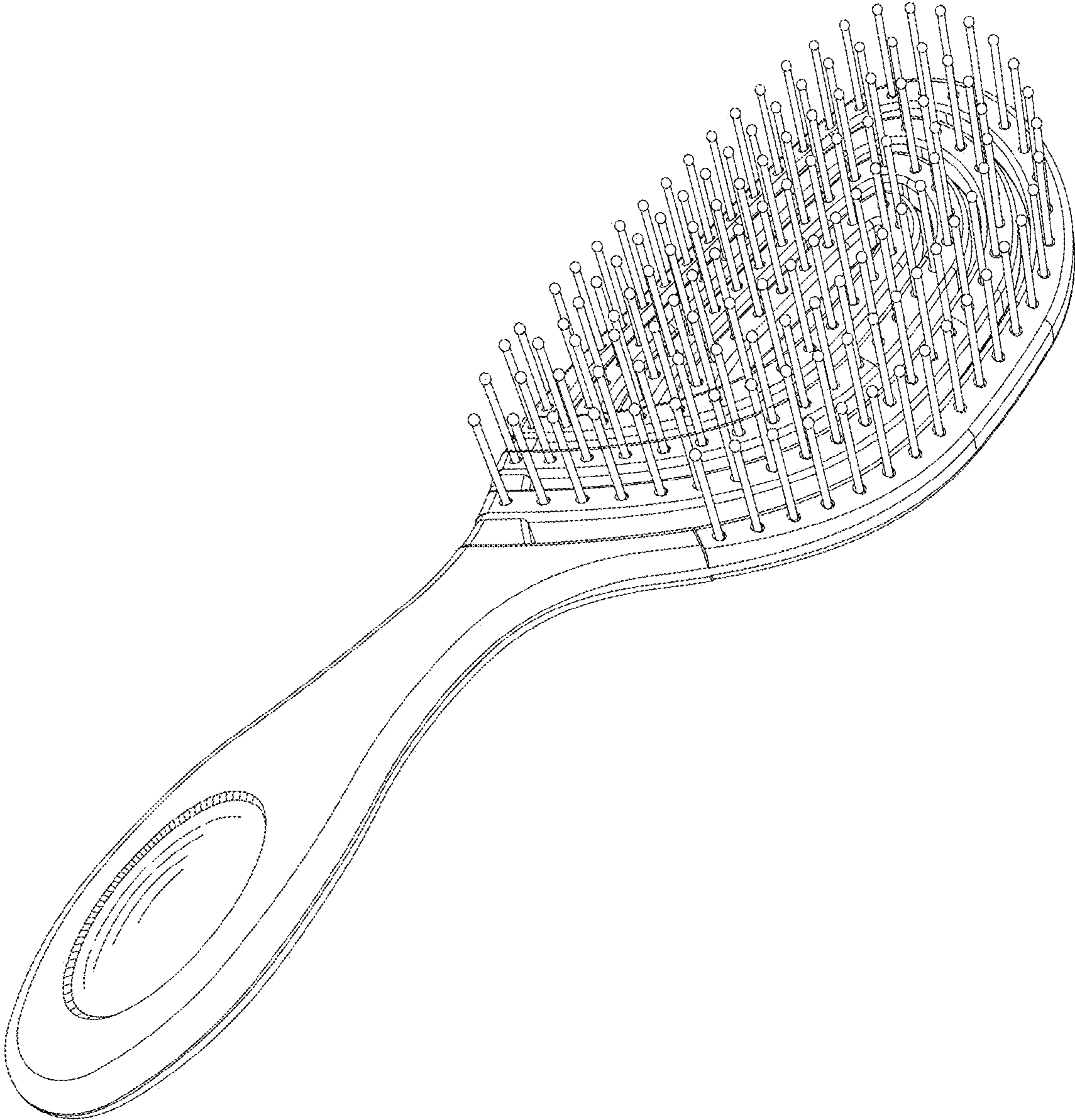


Fig. 1

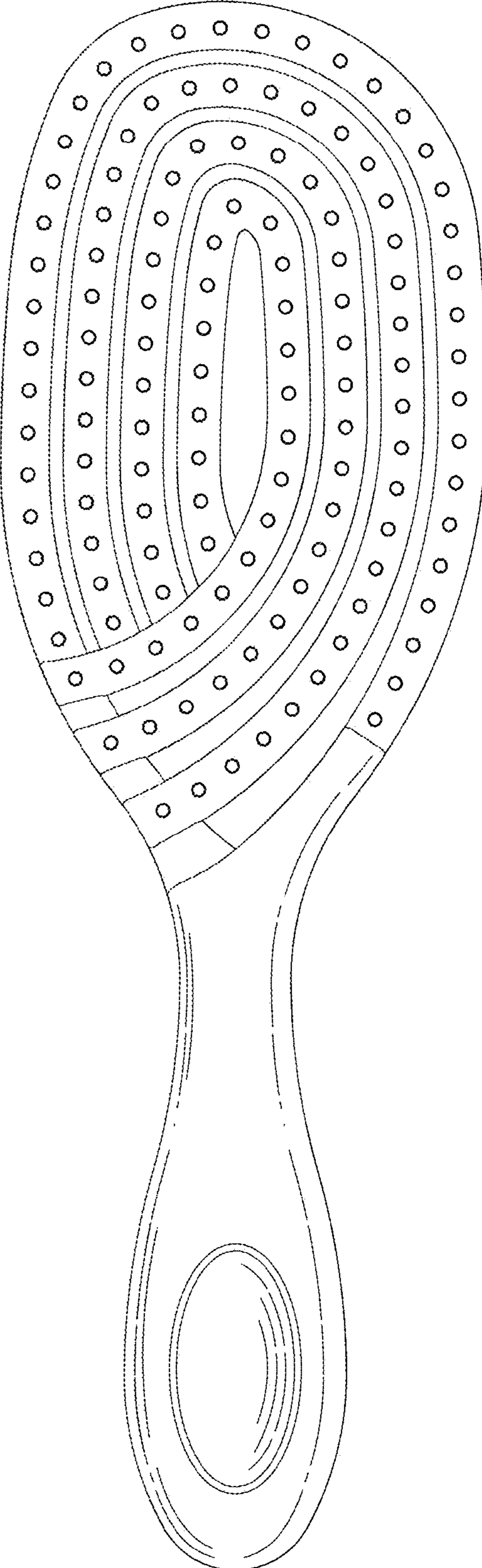


Fig. 2

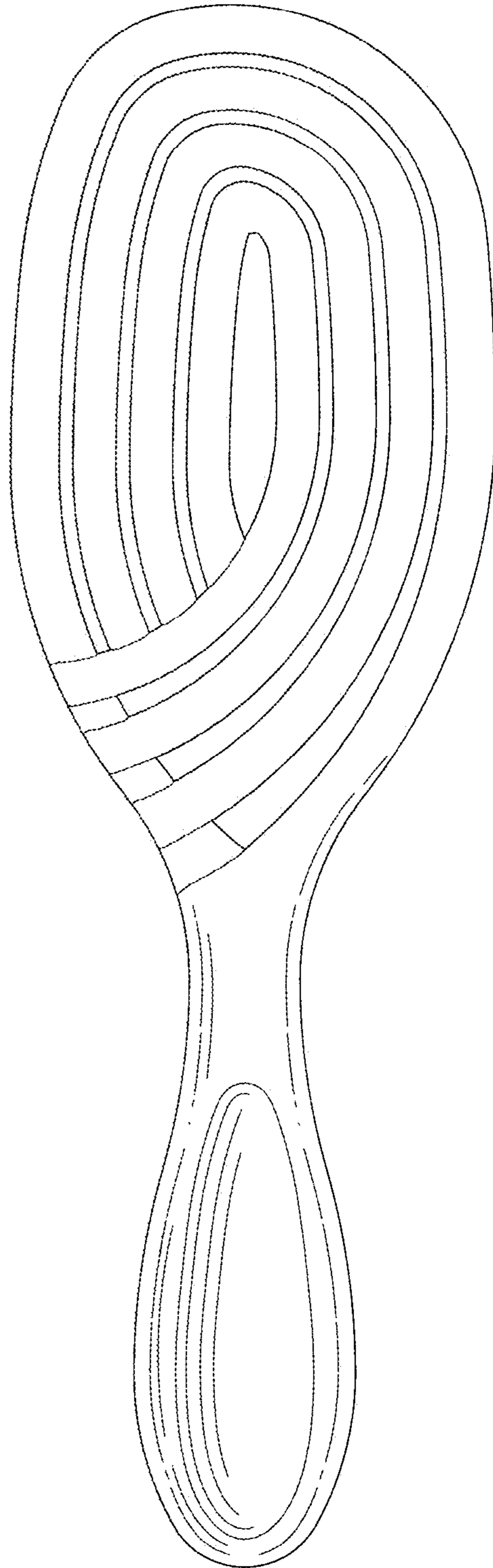


Fig. 3

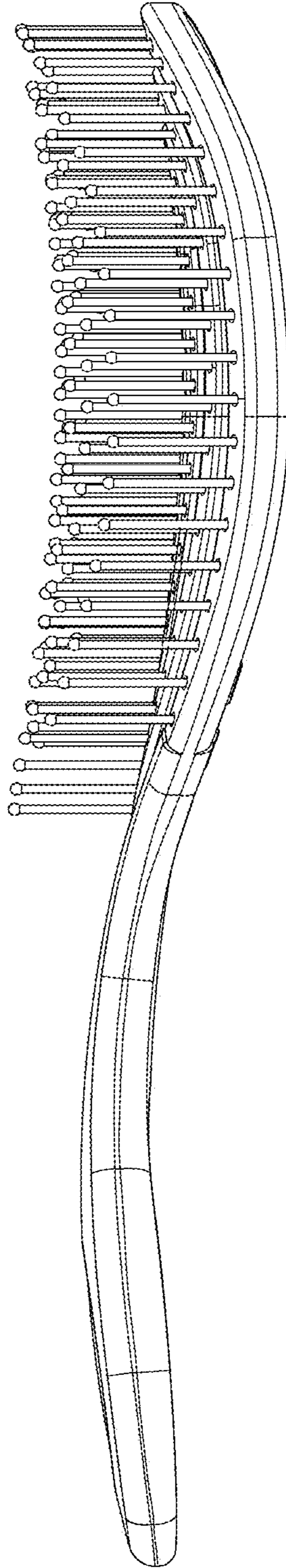


Fig. 4

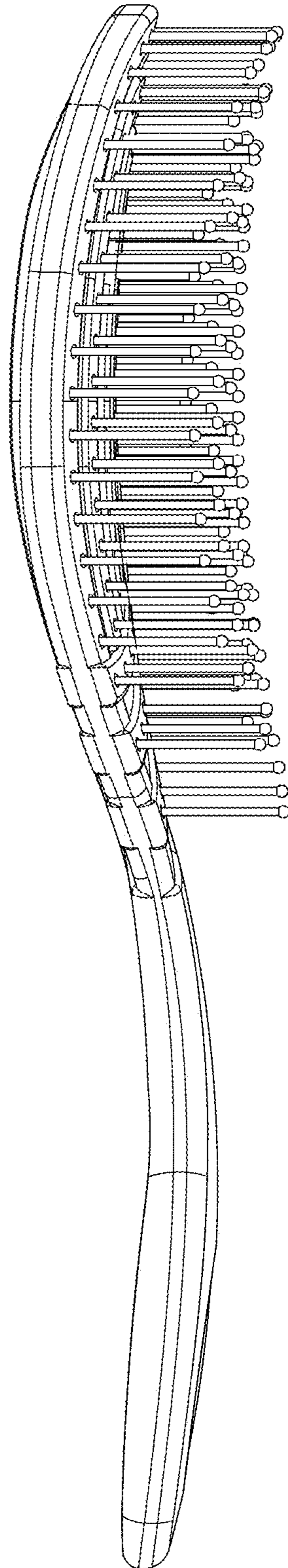


Fig. 5

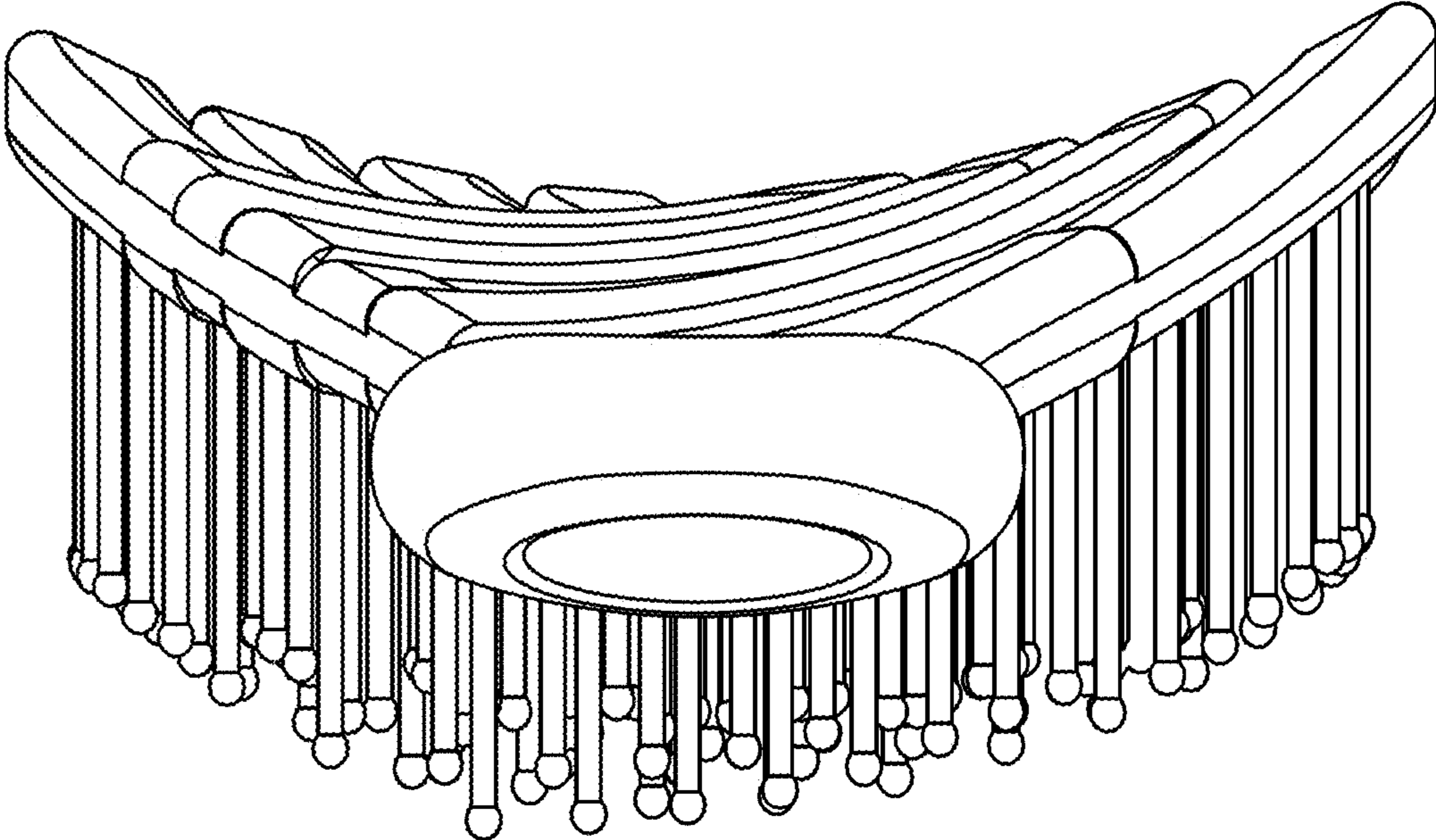


Fig. 6

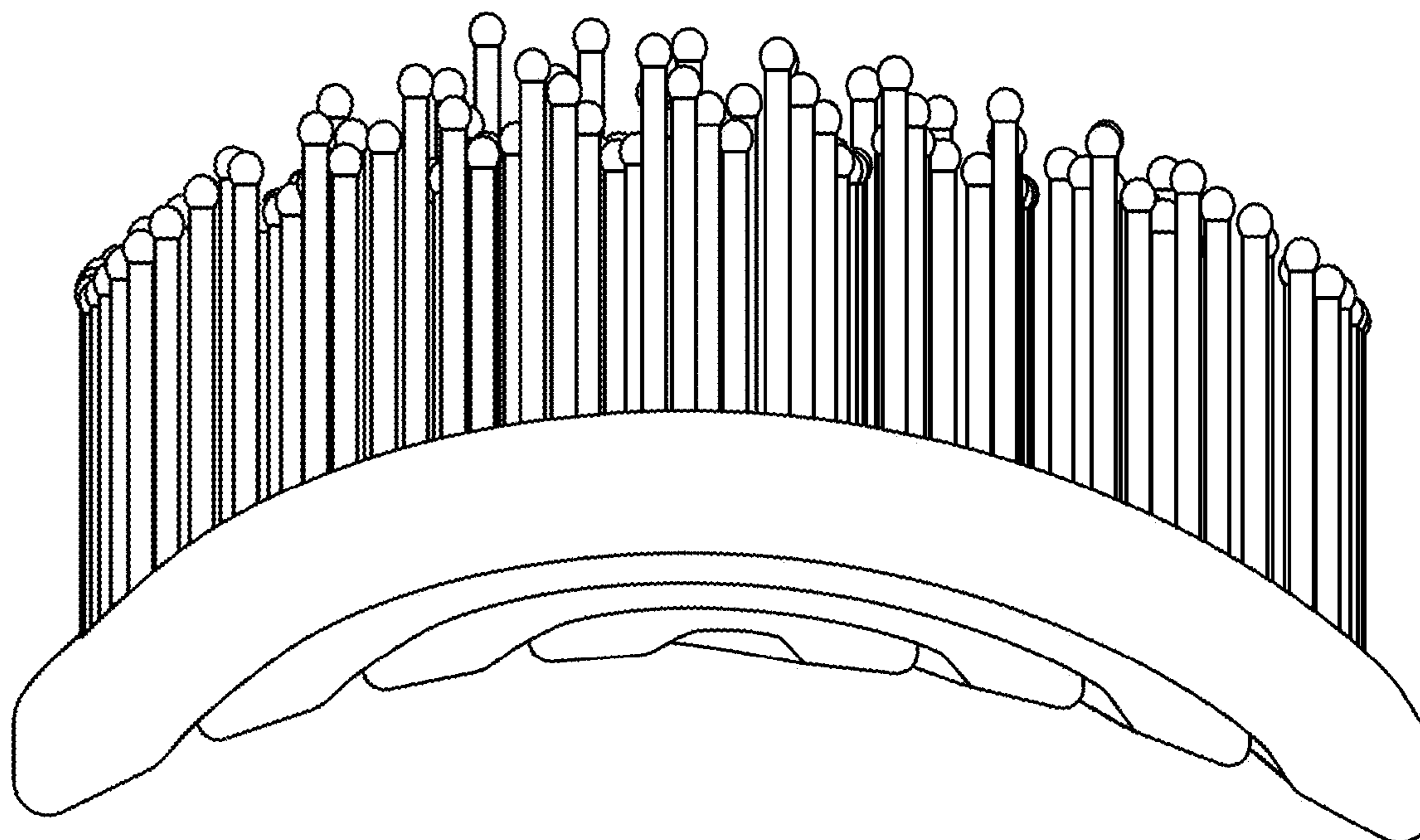


Fig. 7