



US00D895299S

(12) **United States Design Patent** (10) **Patent No.:** **US D895,299 S**
Sun (45) **Date of Patent:** **** Sep. 8, 2020**

(54) **MAZE BRUSH**
(71) Applicant: **NINGBO BELAIR TRADING CO., LTD.**, Zhejiang (CN)
(72) Inventor: **Haili Sun**, Zhejiang (CN)
(73) Assignee: **NINGBO BELAIR TRADING CO., LTD.**, Ningbo, Zhejiang (CN)
(**) Term: **15 Years**
(21) Appl. No.: **29/659,815**
(22) Filed: **Aug. 13, 2018**
(51) **LOC (12) Cl.** **04-02**
(52) **U.S. Cl.**
USPC **D4/134**
(58) **Field of Classification Search**
USPC D4/100, 116, 121, 130, 132, 134, 136,
D4/138, 199; D28/13, 24, 28, 31, 35, 25,
D28/15
CPC A46B 9/02; A46B 9/023; A46B 9/028;
A46B 15/0059; A46B 2200/104
See application file for complete search history.

D656,734 S * 4/2012 Carpenter D4/104
D764,808 S * 8/2016 Rosenzweig D4/132
D782,829 S * 4/2017 Park D4/138
D815,839 S * 4/2018 Rosenzweig D4/136
D828,040 S * 9/2018 Rosenzweig D4/138
D834,332 S * 11/2018 Chen D4/134
D841,339 S * 2/2019 Rosenzweig D4/134
D847,517 S * 5/2019 Rosenzweig D4/138
D863,782 S * 10/2019 Sze D4/134
D874,833 S * 2/2020 York D4/116
D879,476 S * 3/2020 Rennette D4/138
2018/0344021 A1* 12/2018 Delzell A46B 5/02

FOREIGN PATENT DOCUMENTS

CN 304759445 * 8/2018
EM 005818028-0006 * 11/2018
KR 300872475.0000 * 9/2016

* cited by examiner

Primary Examiner — Karen E Eldridge Powers
(74) *Attorney, Agent, or Firm* — Muncy, Geissler, Olds & Lowe, P.C.

(57) **CLAIM**

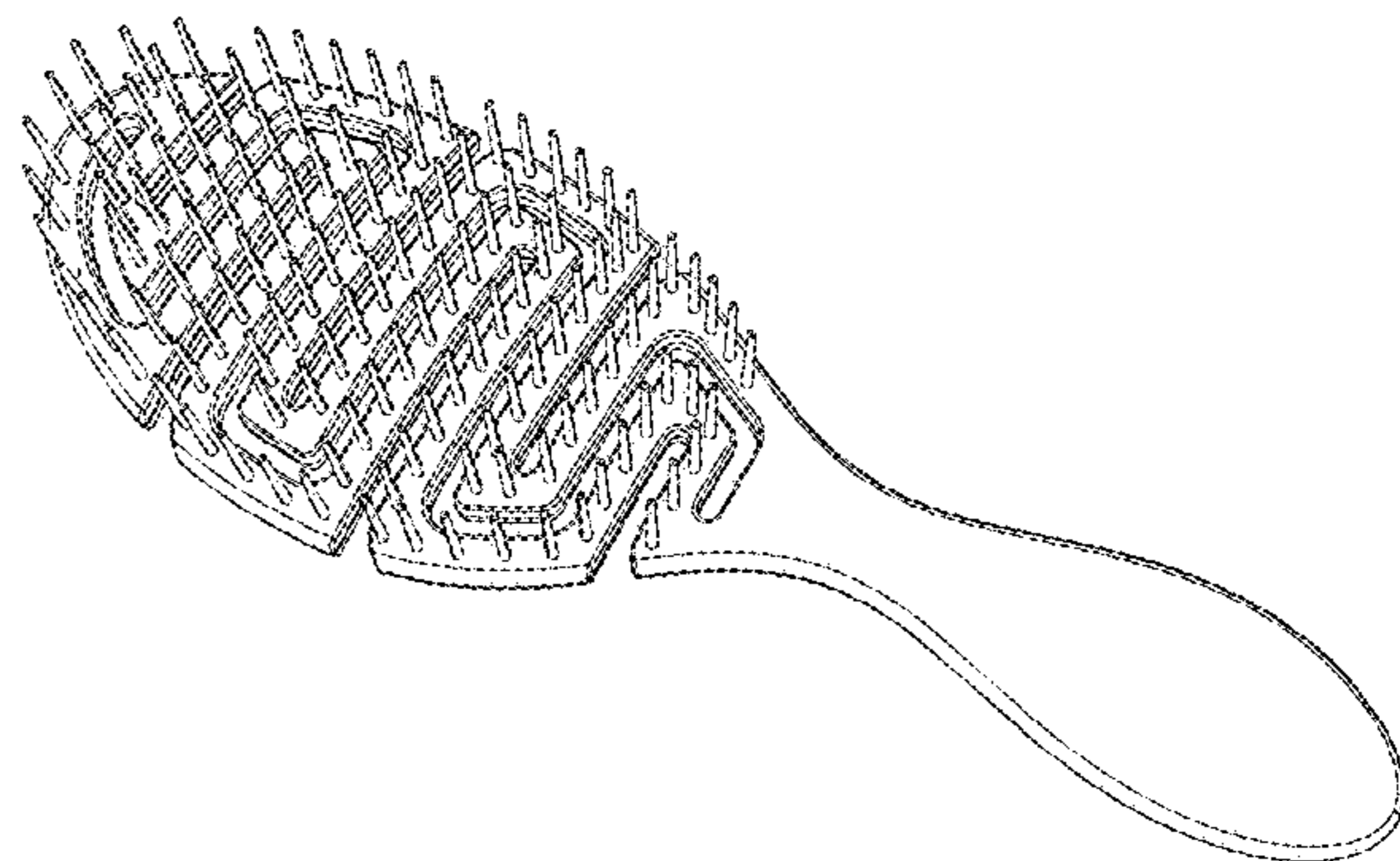
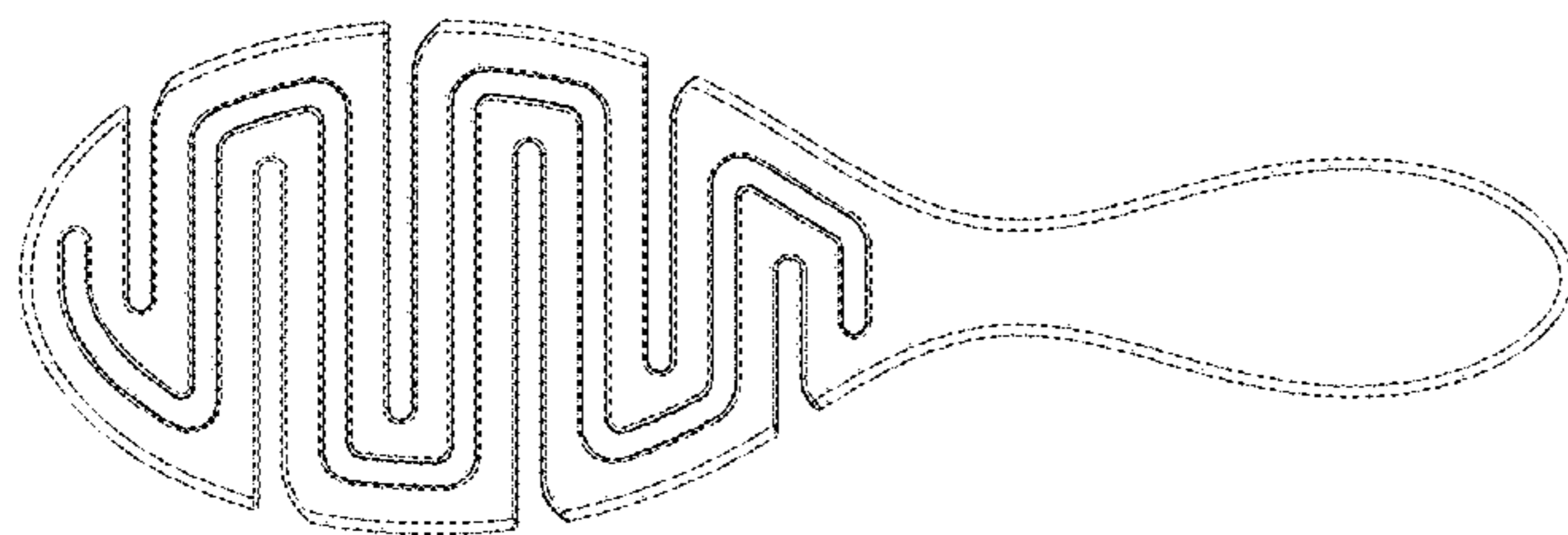
The ornamental design for a maze brush, as shown and described.

DESCRIPTION

FIG. 1 is a Front elevational view of a maze brush showing my new design;
FIG. 2 is an enlarged Left side elevational view thereof;
FIG. 3 is an enlarged Right side elevational view thereof;
FIG. 4 is a Top plan view thereof;
FIG. 5 is a Bottom plan view thereof; and,
FIG. 6 is a Perspective view thereof.

1 Claim, 6 Drawing Sheets

(56) **References Cited**
U.S. PATENT DOCUMENTS
1,860,924 A * 5/1932 Cooke A46B 5/0025
15/167.1
1,948,990 A * 2/1934 Mitlehner A46B 15/00
607/79
D249,909 S * 10/1978 Epstein D4/136
D286,952 S * 12/1986 Leroux D4/136
D349,792 S * 8/1994 Mulholland D32/35
D357,810 S * 5/1995 Evans D4/114
D543,705 S * 6/2007 Leung D4/133



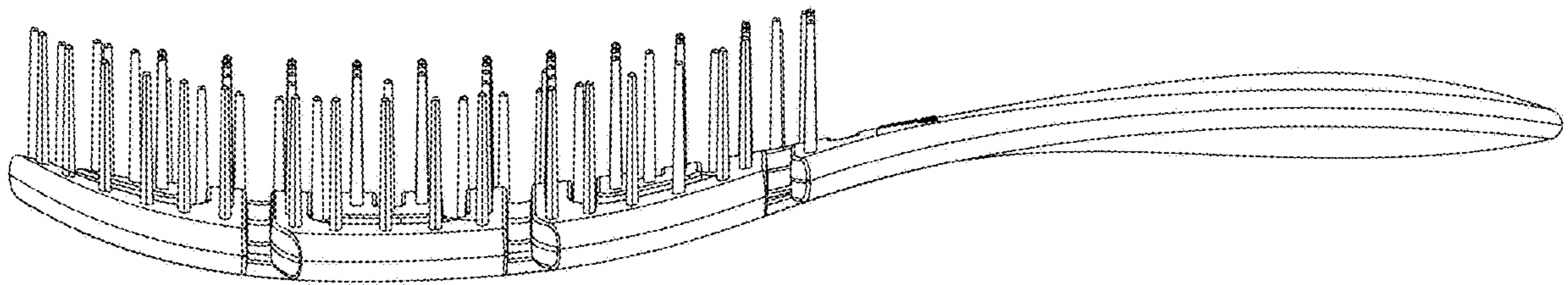


Fig. 1

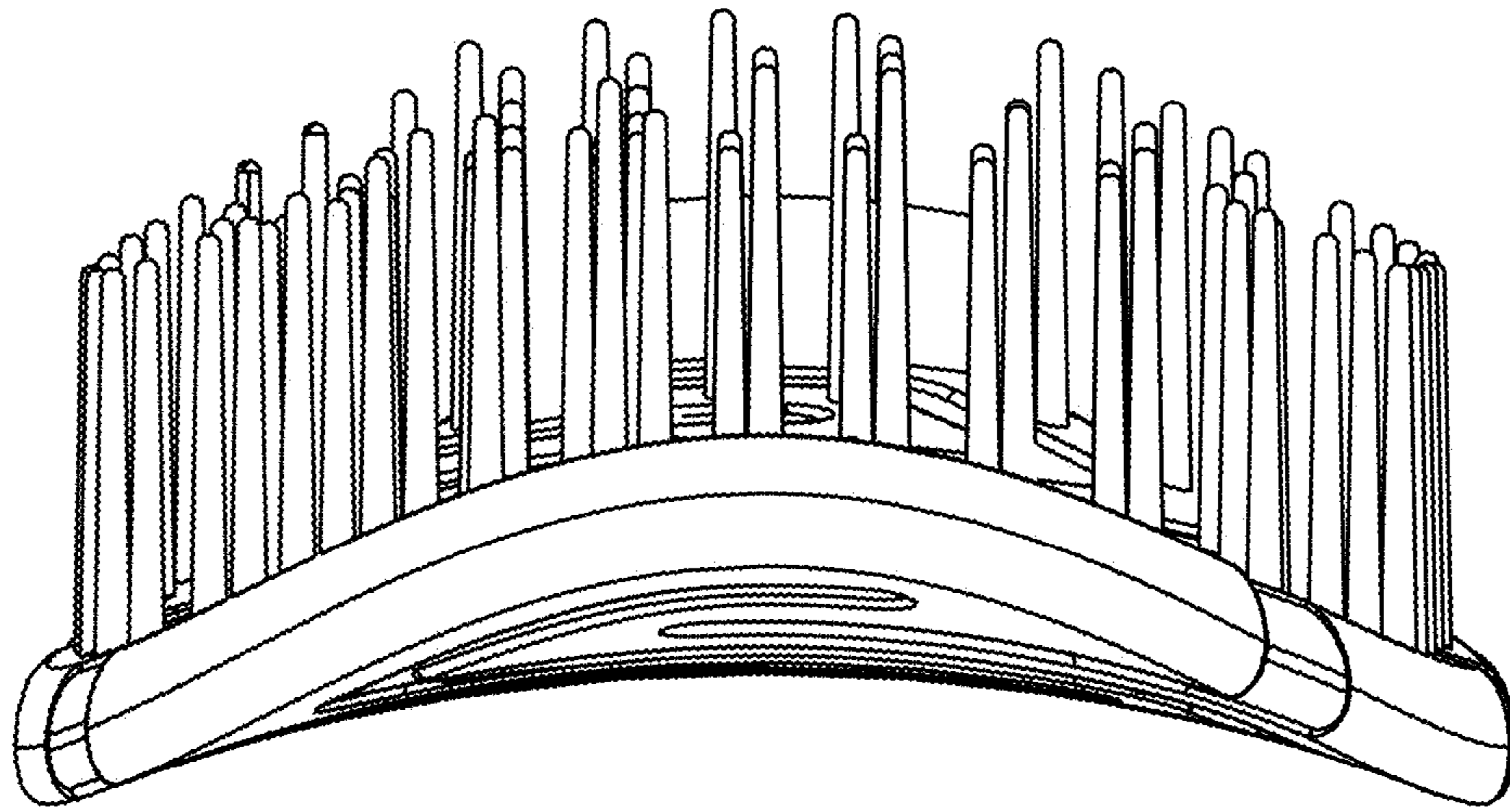


Fig. 2

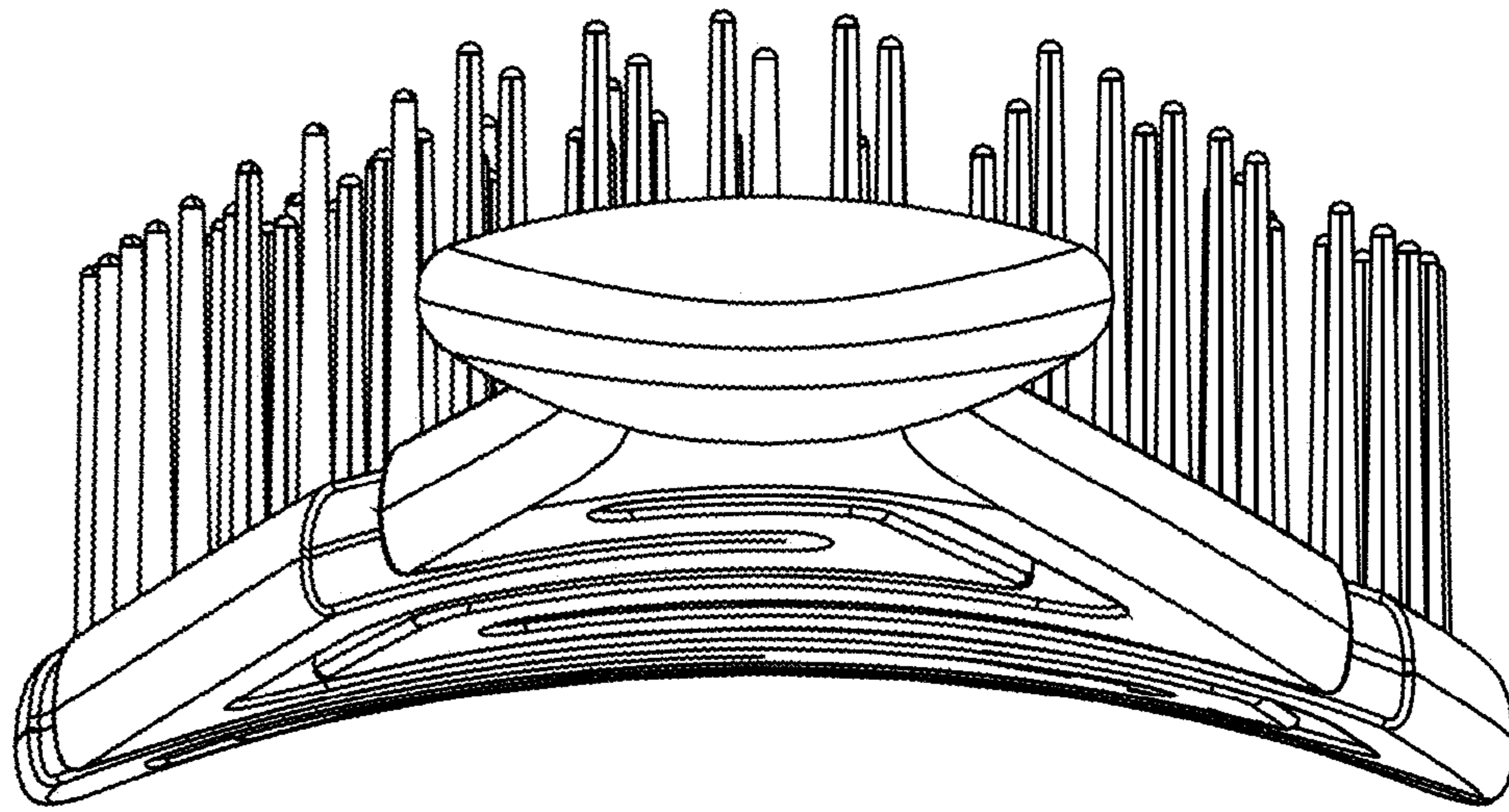


Fig. 3

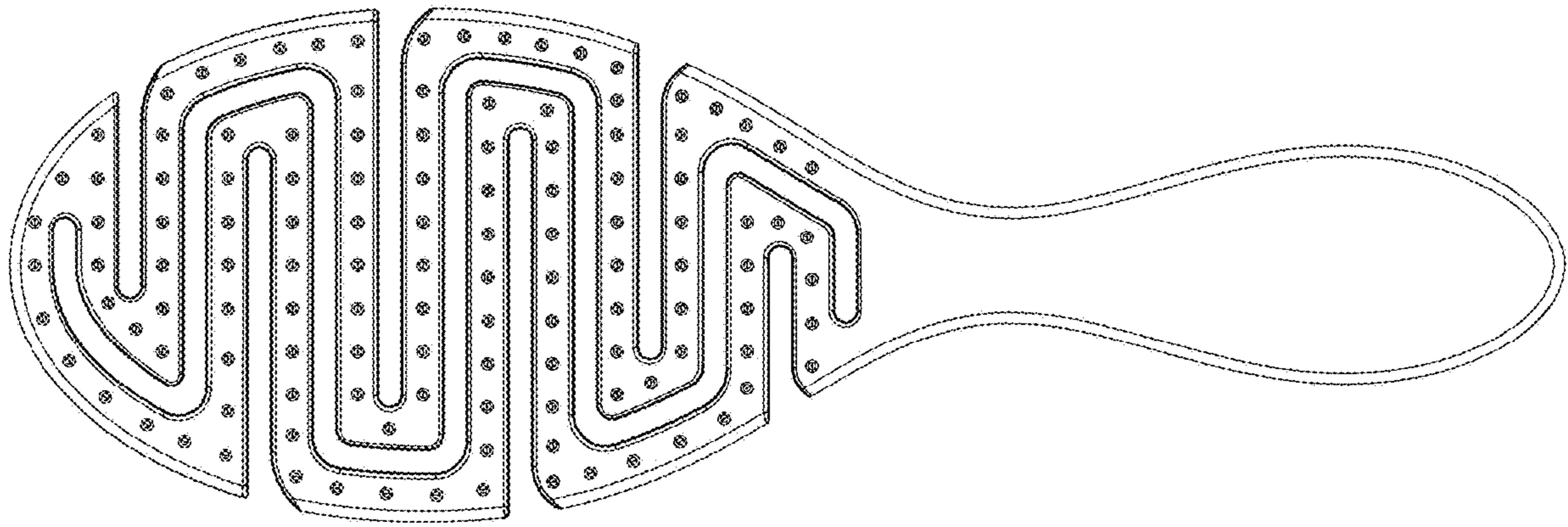


Fig. 4

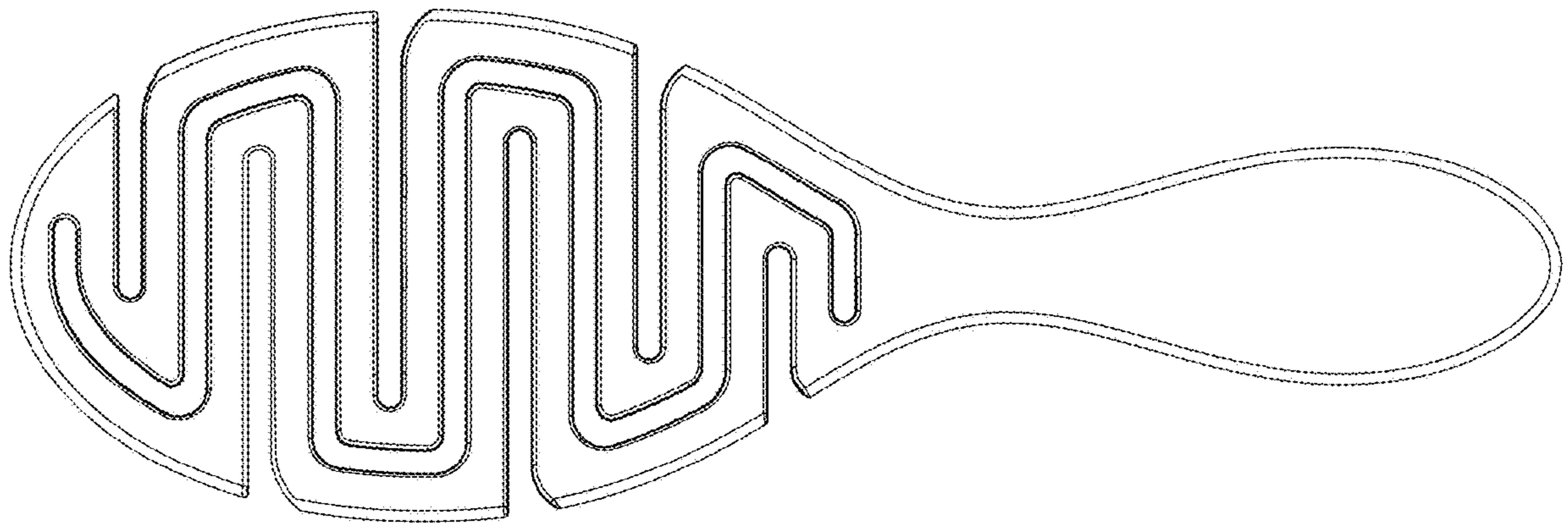


Fig. 5

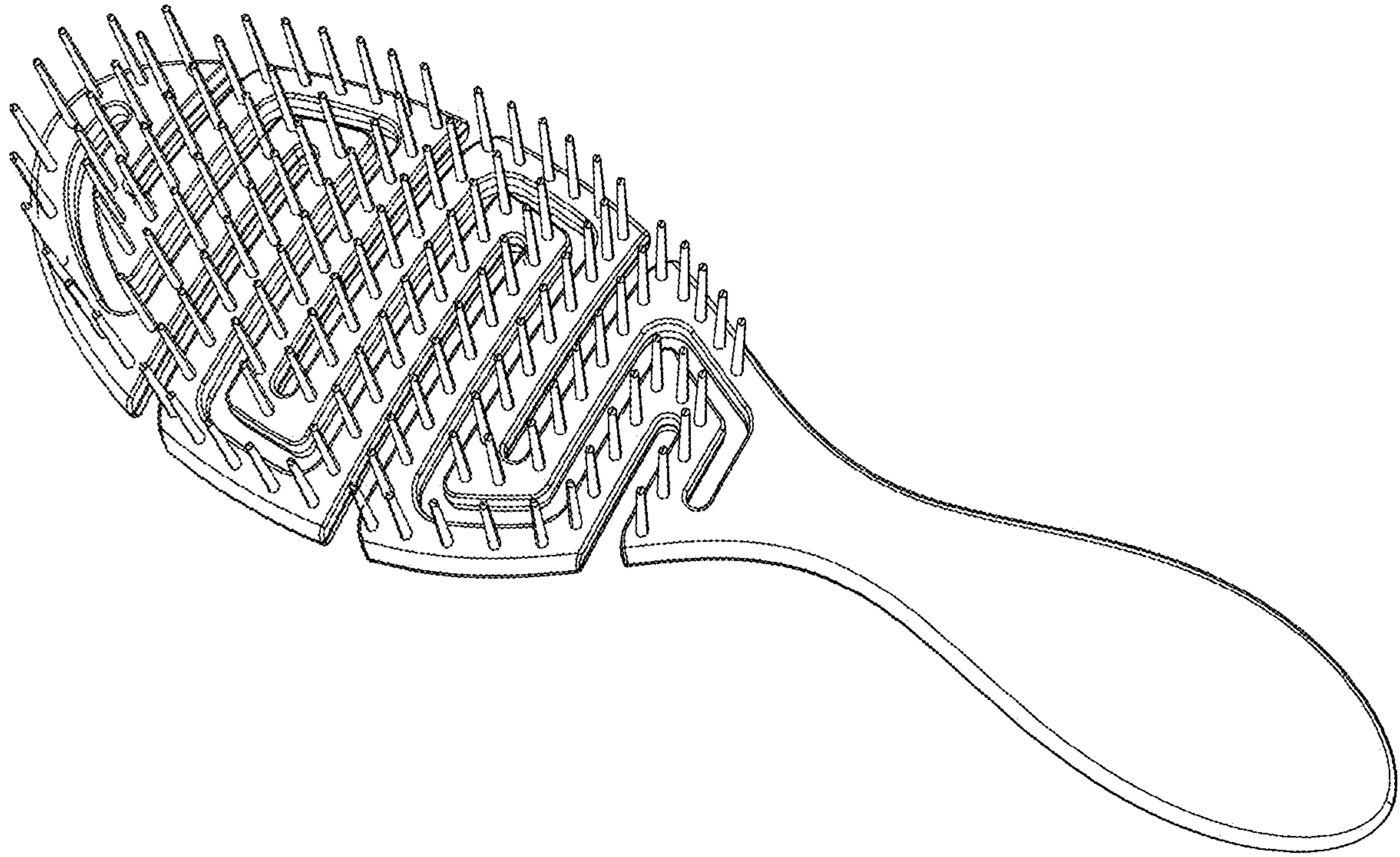


Fig. 6