



US00D895298S

(12) **United States Design Patent** (10) **Patent No.:** **US D895,298 S**
Marrelli et al. (45) **Date of Patent:** **** Sep. 8, 2020**

(54) **TOWEL CLIP WITH BRUSH**
 (71) Applicants: **Marguerite Marrelli**, Mentor, OH
 (US); **John R. Marrelli, Jr.**, Mentor,
 OH (US)
 (72) Inventors: **Marguerite Marrelli**, Mentor, OH
 (US); **John R. Marrelli, Jr.**, Mentor,
 OH (US)

D758,839 S * 6/2016 Kaalberg D8/395
 9,659,510 B2 * 5/2017 Myoung G09D 3/10
 D816,472 S * 5/2018 Kim D8/395
 D829,541 S * 10/2018 Montgomery D8/395
 D873,126 S * 1/2020 Tang D8/395
 D876,212 S * 2/2020 Waldman A61H 7/001
 D878,693 S * 3/2020 Spater D32/35
 D886,665 S * 6/2020 Swims D11/200

(Continued)

(**) Term: **15 Years**
 (21) Appl. No.: **29/680,670**

Primary Examiner — George A Bugg
Assistant Examiner — Tamara L Hahn
 (74) *Attorney, Agent, or Firm* — Carl A. Hjort, III

(22) Filed: **Feb. 19, 2019**
 (51) **LOC (12) Cl.** **04-99**
 (52) **U.S. Cl.**
 USPC **D4/116**
 (58) **Field of Classification Search**
 USPC D4/100–113, 116–138, 199; D8/18, 33,
 D8/34, 72, 73, 80, 83, 394, 395; D28/7,
 D28/154
 CPC A46B 3/08; A47G 25/485; A47G 25/48;
 A47G 25/483; B65D 33/1675; D06F
 55/02; D06F 5/00; F16B 2/10; F16B 2/20
 See application file for complete search history.

(57) **CLAIM**

The ornamental design for a towel clip with brush, as shown and described.

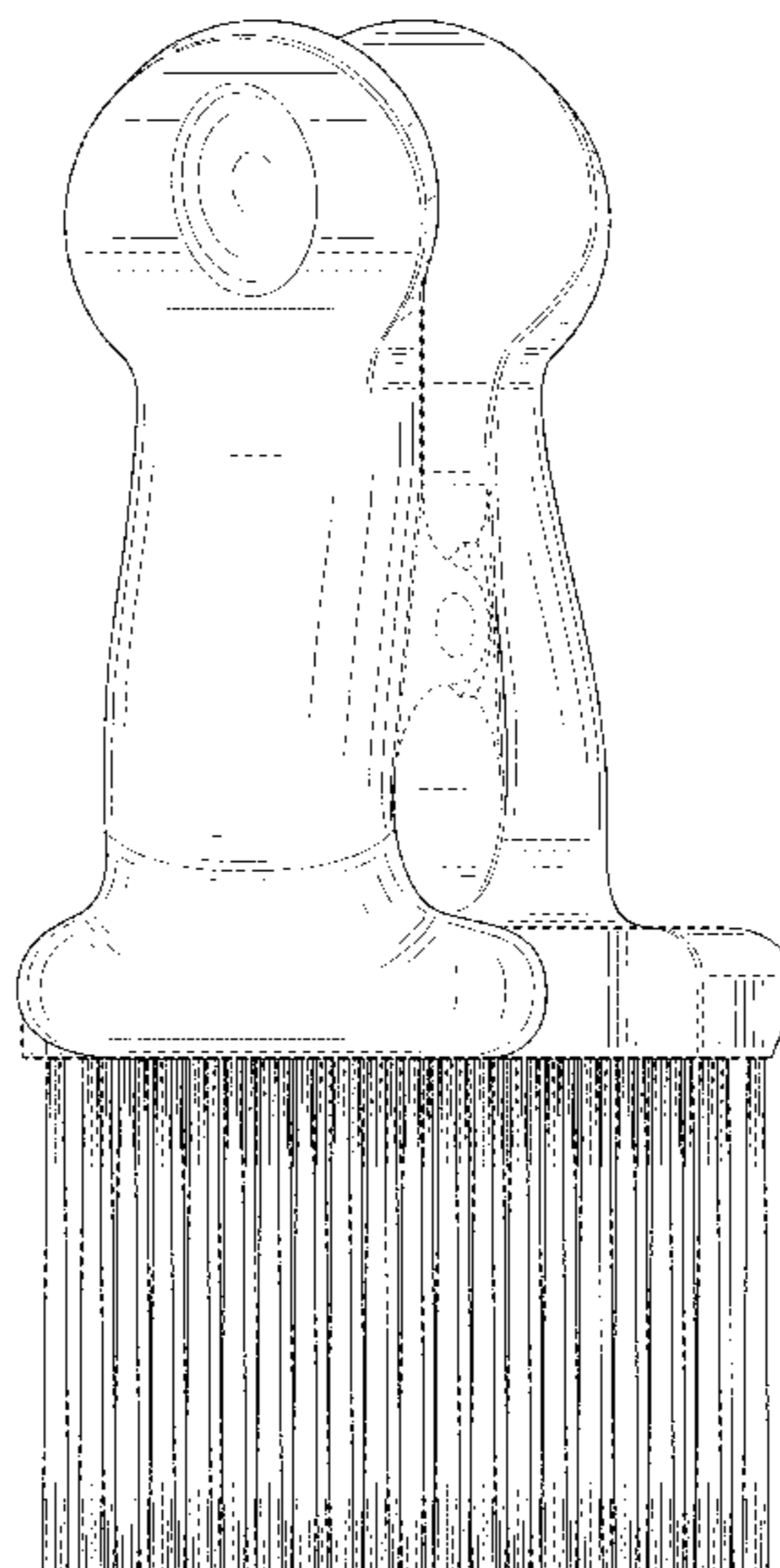
DESCRIPTION

FIG. 1 is a front perspective view of a towel clip with brush according to the present design;
 FIG. 2 is a front view of a towel clip with brush according to the present design;
 FIG. 3 is a rear view of a towel clip with brush according to the present design;
 FIG. 4 is a right side view of a towel clip with brush according to the present design;
 FIG. 5 is a left side view a towel clip with brush according to the present design;
 FIG. 6 is a top view of a towel clip with brush according to the present design;
 FIG. 7 is a bottom view of a towel clip with brush according to the present design; and,
 FIG. 8 is a front perspective view of a towel dip with brush in use.
 The broken lines in FIG. 8 depict environment and forms no part of the claimed design. All other broken lines depict portions of the towel clip with brush that form no part of the claimed design.

(56) **References Cited**
 U.S. PATENT DOCUMENTS

D342,890 S * 1/1994 Ramierz D8/395
 5,584,456 A * 12/1996 Stephens A47C 1/143
 24/339
 D544,787 S * 6/2007 Dash D8/395
 D599,651 S * 9/2009 Riggsbee D8/395
 D622,922 S * 8/2010 Kou D32/40
 D638,697 S * 5/2011 Zemel D8/395
 D665,246 S * 8/2012 Laguella D8/395
 D711,216 S * 8/2014 Monteleone D8/395
 D715,632 S * 10/2014 White D8/395
 D718,999 S * 12/2014 Robinson D8/72
 D731,912 S * 6/2015 Beverly D10/121
 D753,991 S * 4/2016 Pan D8/395

1 Claim, 6 Drawing Sheets



(56)

References Cited

U.S. PATENT DOCUMENTS

10,683,602 B1 * 6/2020 Henry A47G 25/483
2003/0126725 A1 * 7/2003 Housley A47G 25/485
24/510
2010/0258599 A1 * 10/2010 Sugita D06F 55/02
223/96
2017/0036818 A1 * 2/2017 Henry B65D 33/1675
2017/0036819 A1 * 2/2017 Agüero-Hernandez
B65D 33/1675
2017/0039895 A1 * 2/2017 Henry B65D 33/1675
2017/0265665 A1 * 9/2017 Wright F16B 2/005

* cited by examiner

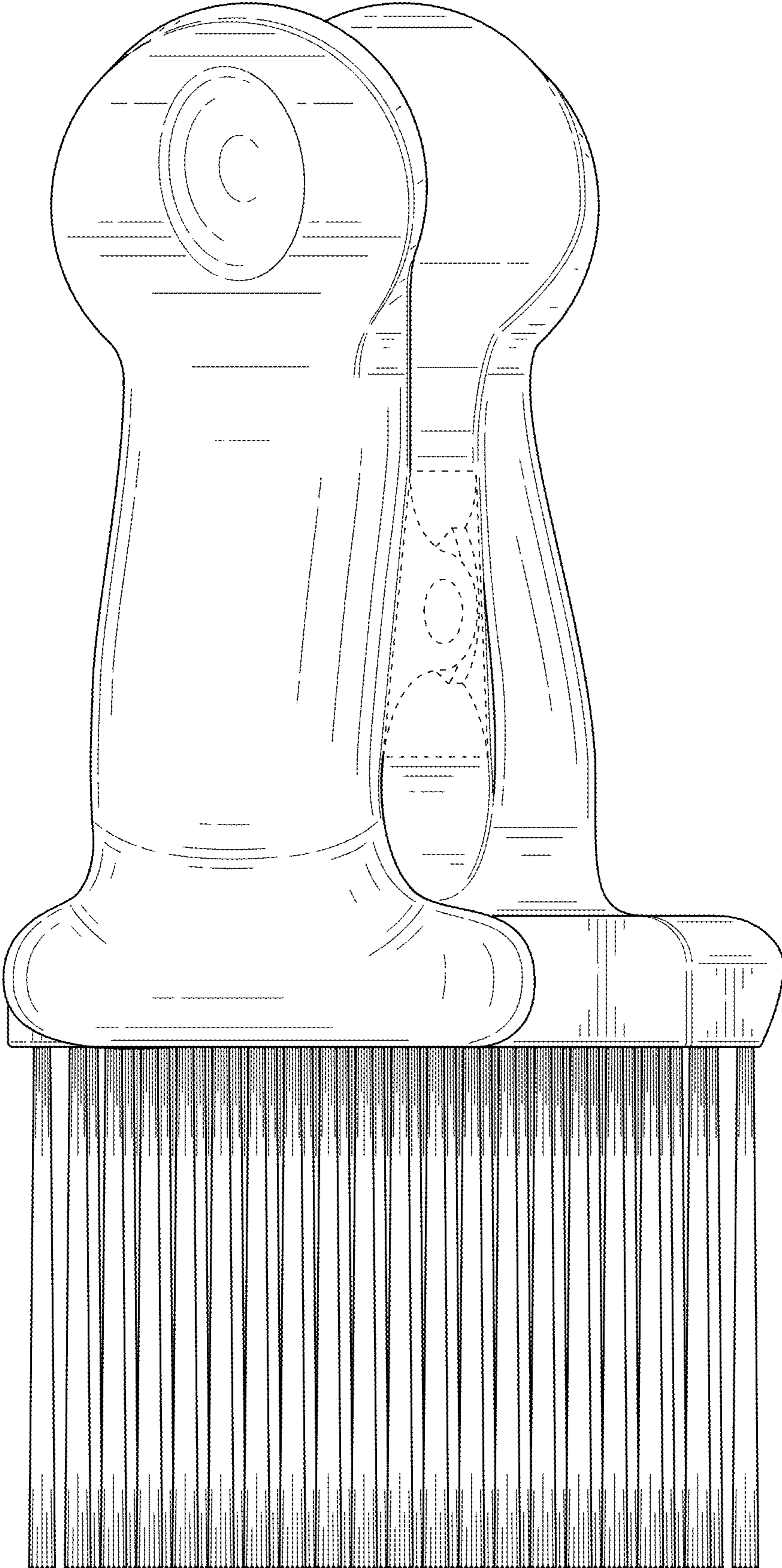


FIG. 1

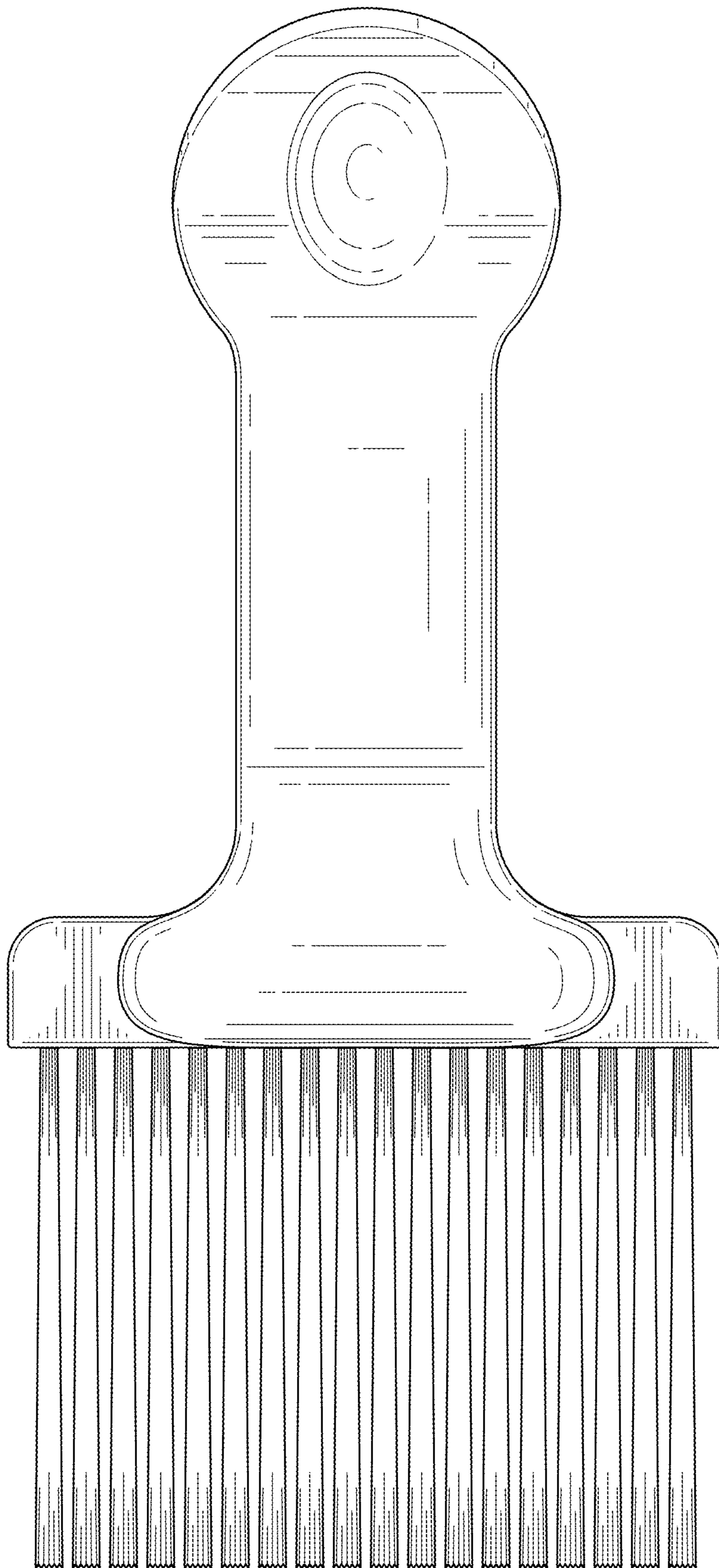


FIG. 2

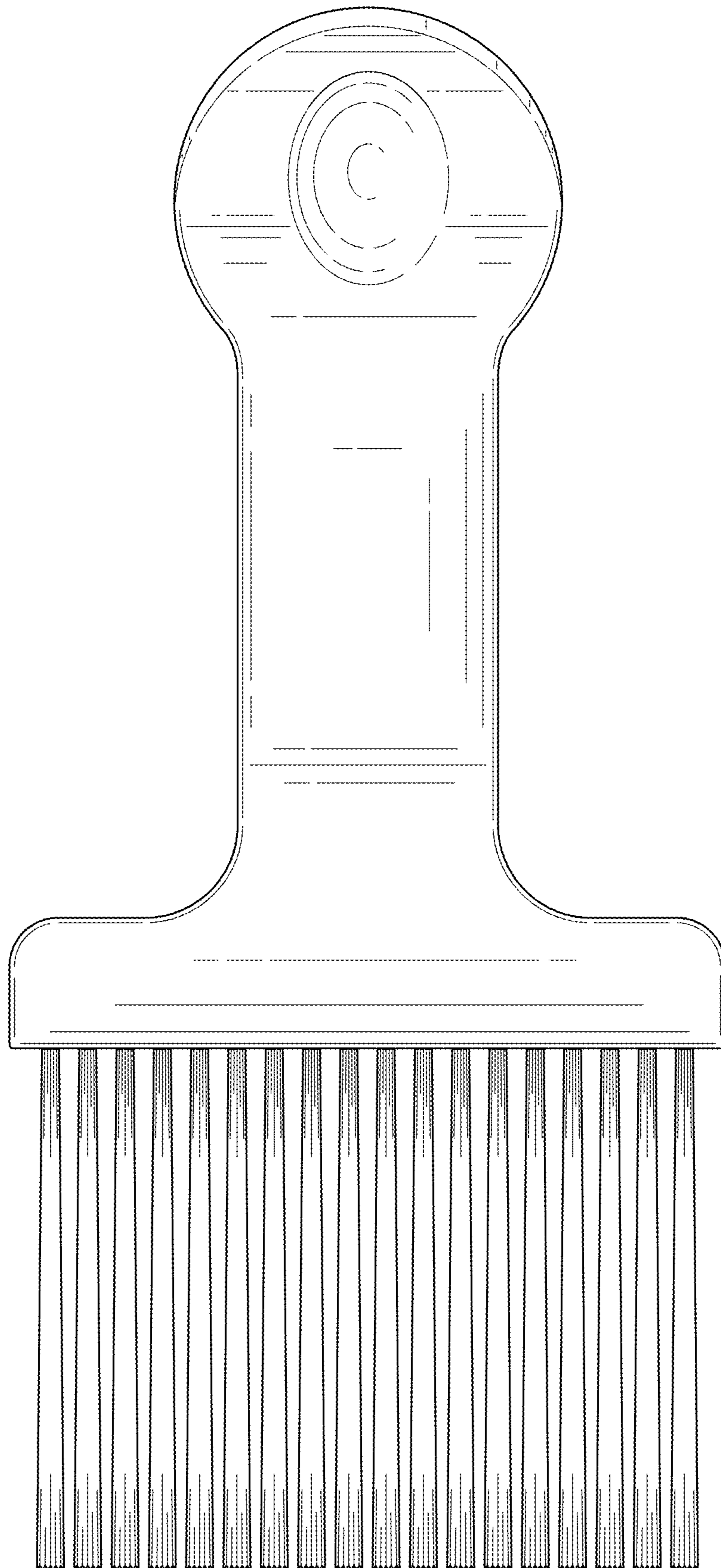


FIG. 3

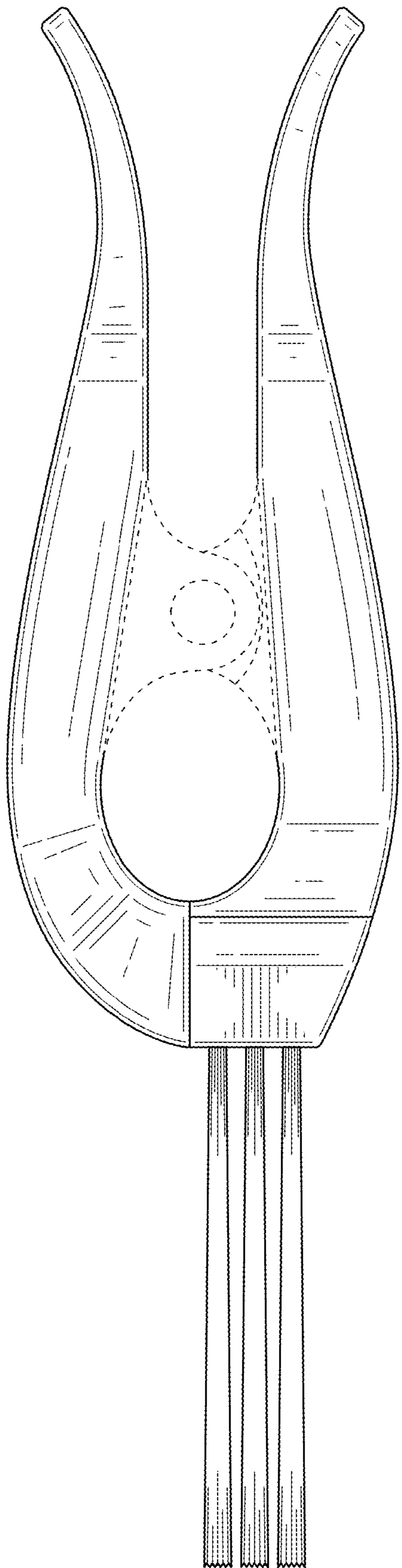


FIG. 4

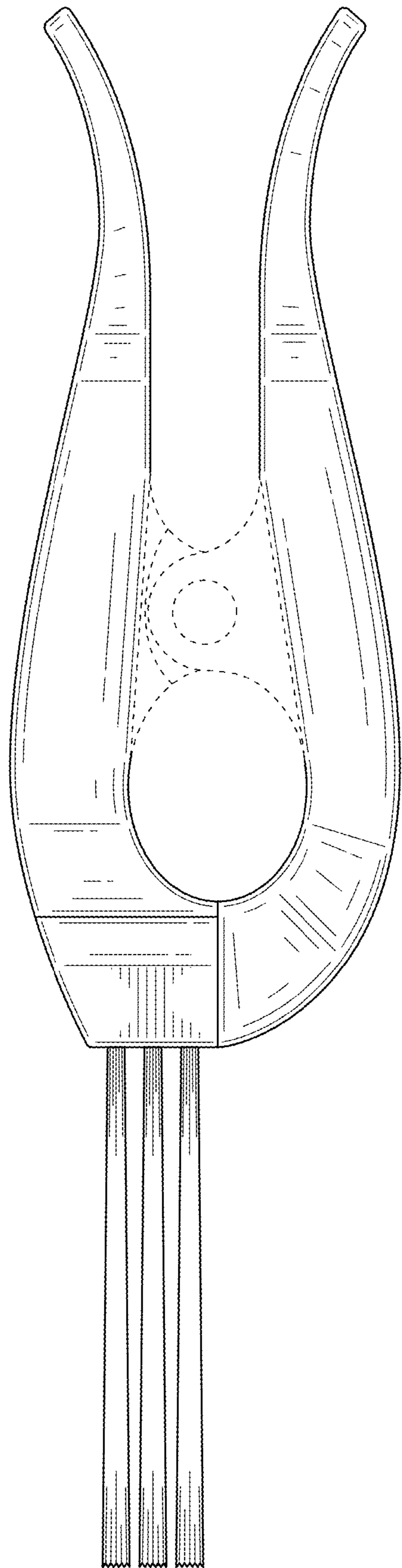


FIG. 5

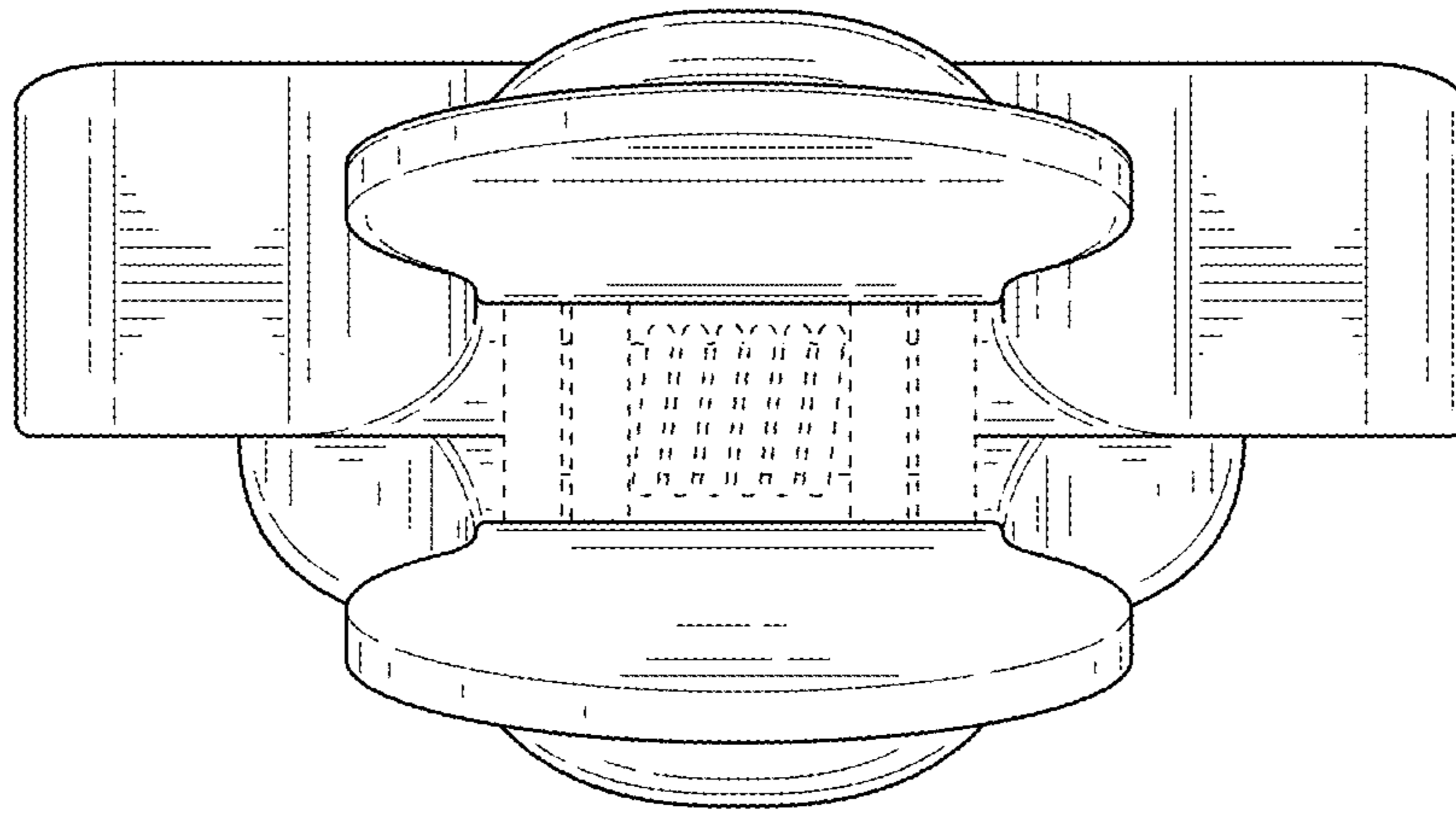


FIG. 6

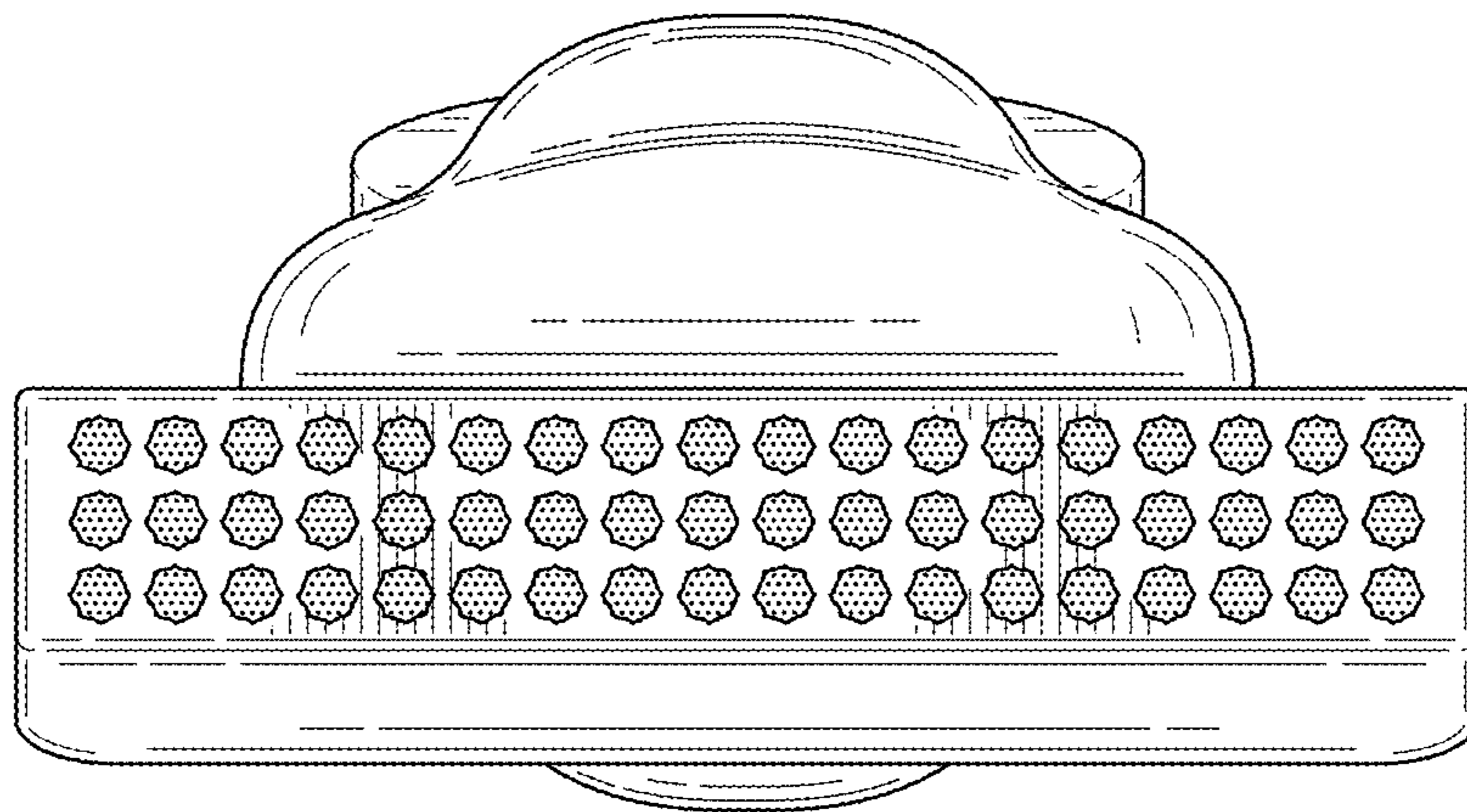


FIG. 7

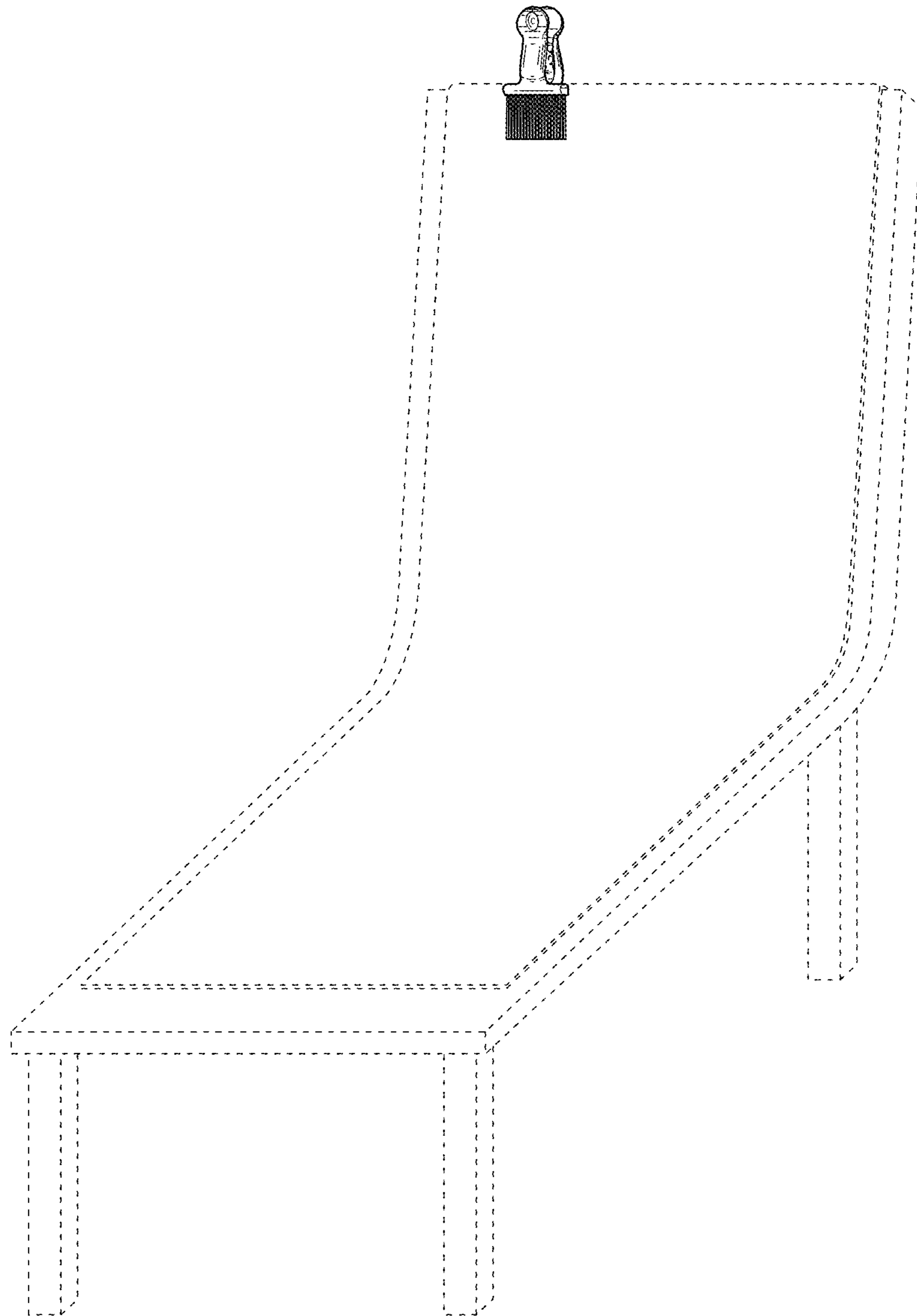


FIG. 8