



US00D895296S

(12) **United States Design Patent**
Hu et al.

(10) **Patent No.:** **US D895,296 S**
(45) **Date of Patent:** **** Sep. 8, 2020**

(54) **COMBINATION ELECTRIC TOOTHBRUSH
AND CHARGING STAND**

(71) Applicant: **Shenzhen Ya Bei Kang Technology
Co., Ltd., ShenZhen (CN)**

(72) Inventors: **HanSheng Hu, Gaozhou (CN);
Xiaohua Yang, Nanxiong (CN)**

(**) Term: **15 Years**

(21) Appl. No.: **29/734,605**

(22) Filed: **May 13, 2020**

(30) **Foreign Application Priority Data**

Apr. 17, 2020 (CN) 2020 3 0156613
Apr. 17, 2020 (CN) 2020 3 0157255

(51) **LOC (12) Cl.** **28-03**

(52) **U.S. Cl.**
USPC **D4/101; D4/116**

(58) **Field of Classification Search**
USPC D4/100, 101, 102, 104, 105, 106, 107,
D4/108, 109, 110, 111, 112, 113, 114,
D4/115, 116, 119, 130, 132, 133, 134,
D4/136, 137, 138, 199
CPC ... A46B 2200/1066; A46B 5/02; A61C 17/16;
A61C 17/22
See application file for complete search history.

(56) **References Cited**

U.S. PATENT DOCUMENTS

6,035,476 A * 3/2000 Underwood A46B 9/045
15/22.1
D424,808 S * 5/2000 Beals D4/104
D437,688 S * 2/2001 Beals D4/104
D443,985 S * 6/2001 Beals D4/104
6,553,604 B1 * 4/2003 Braun A46B 9/04
15/167.1

6,564,416 B1 * 5/2003 Claire A46B 9/045
15/167.1
D477,465 S * 7/2003 Reilly D4/104
D653,035 S * 1/2012 GebSKI D4/101
D657,565 S * 4/2012 GebSKI D4/101
D696,517 S * 12/2013 GebSKI D4/101
RE44,819 E * 4/2014 Braun A46B 9/04
15/167.1
D718,057 S * 11/2014 Masee D4/101
D758,743 S * 6/2016 Cessot D4/199
D759,383 S * 6/2016 Watkins D4/101
9,723,912 B2 * 8/2017 Chun A46B 9/04
D824,175 S 7/2018 Yan
D861,352 S * 10/2019 Xu D4/101

(Continued)

Primary Examiner — Karen E Eldridge Powers

(74) *Attorney, Agent, or Firm* — ZANIP

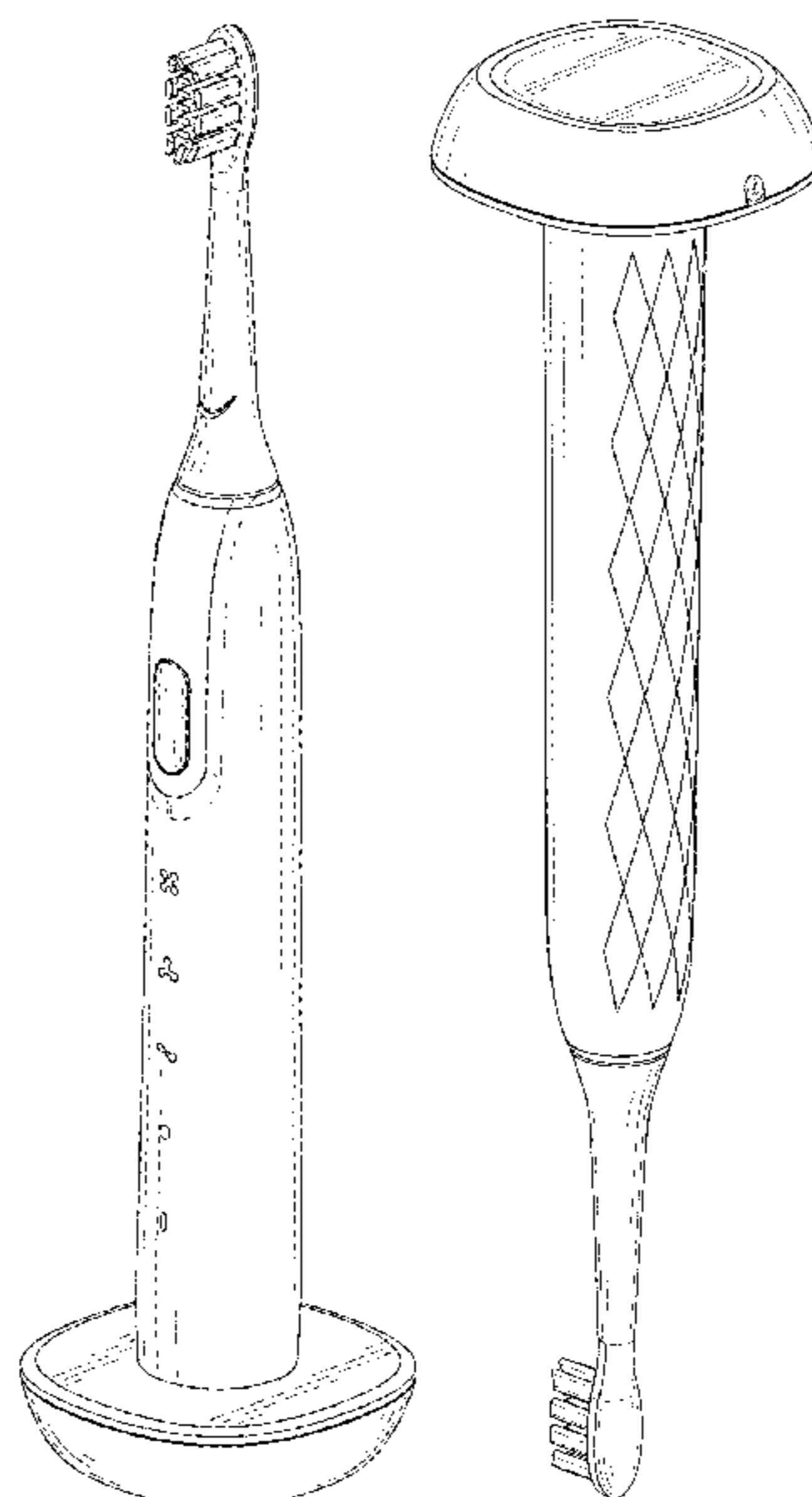
(57) **CLAIM**

The ornamental design for an combination electric toothbrush and charging stand, as shown and described.

DESCRIPTION

FIG. 1 is a front and top perspective view of an combination electric toothbrush and charging stand, showing our new design;
FIG. 2 is a rear and bottom perspective view thereof;
FIG. 3 is a front elevational view thereof;
FIG. 4 is a rear elevational view thereof;
FIG. 5 is a left side elevational view thereof;
FIG. 6 is a right side elevational view thereof;
FIG. 7 is a top plan view thereof;
FIG. 8 is a bottom plan view thereof; and,
FIG. 9 is an enlarged view of a portion indicated in FIG. 1. The broken lines in the figures illustrate portions of the article that form no part of the claimed design. The dash dot dash lines in FIGS. 1 and 9 are for the purpose of depicting the cut line of the enlarged view and form no part of the claim.

1 Claim, 9 Drawing Sheets



(56)

References Cited

U.S. PATENT DOCUMENTS

D862,088 S *	10/2019	Walter	D4/101
D864,575 S *	10/2019	Meng	D4/101
D866,980 S *	11/2019	Manhas	D4/101
D869,855 S *	12/2019	Khayat	D4/101
D881,583 S *	4/2020	Huang	D4/101
D887,145 S *	6/2020	Hu	D4/101
D887,719 S *	6/2020	Kuang	D4/101
2008/0028558 A1 *	2/2008	Kwon	A46D 1/0276 15/167.1

* cited by examiner

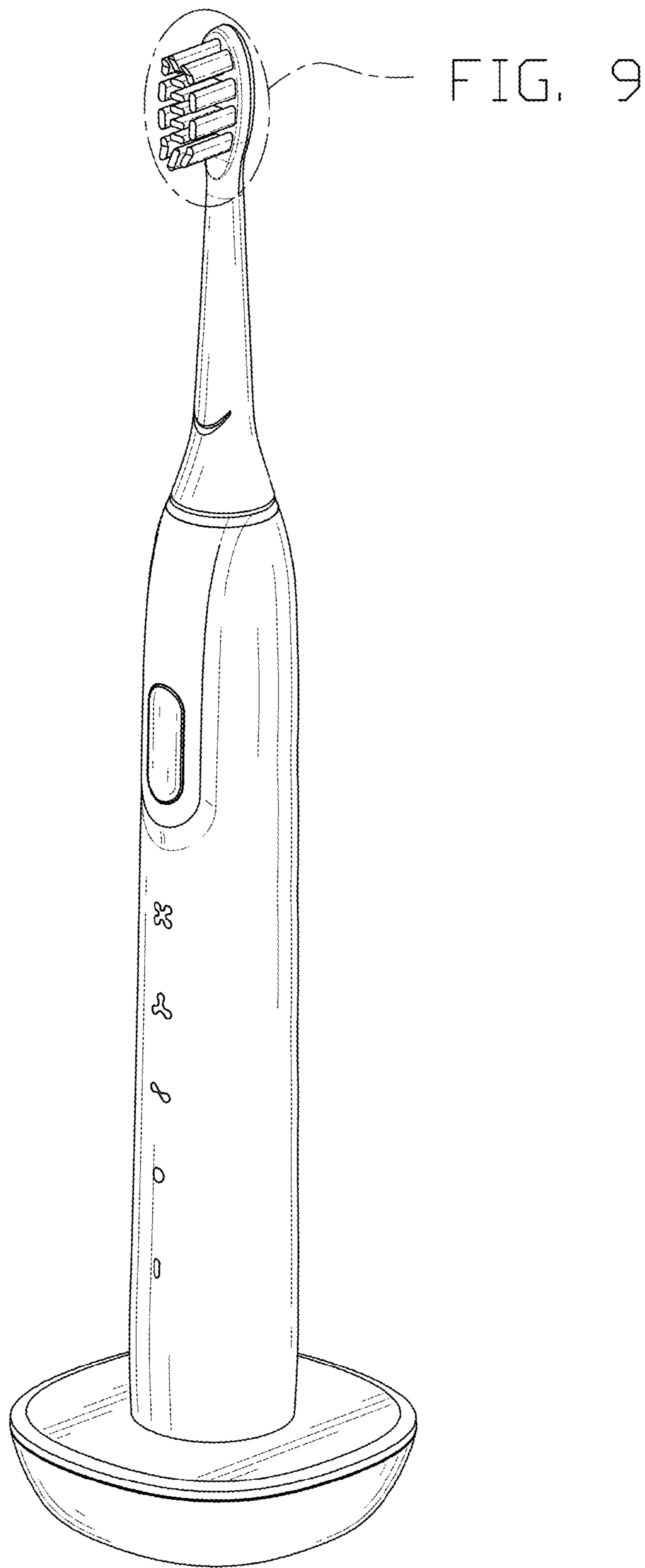


FIG. 1

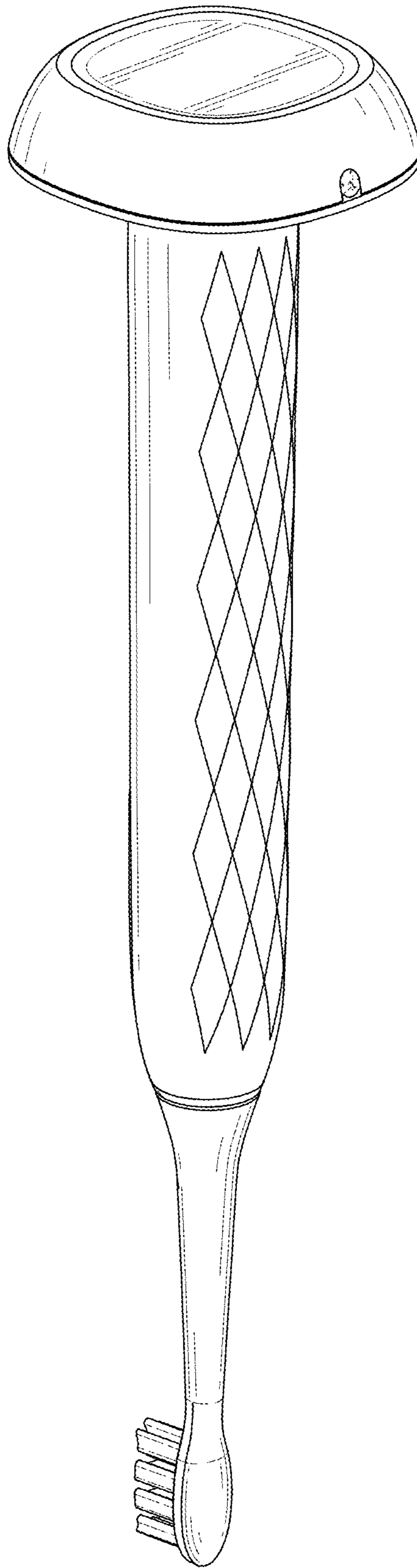


FIG. 2

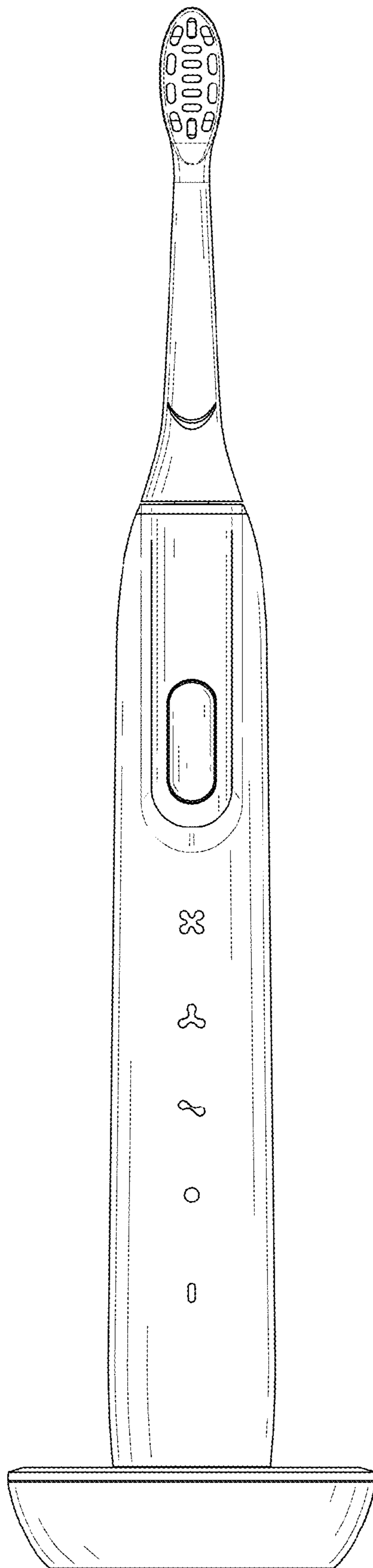


FIG. 3

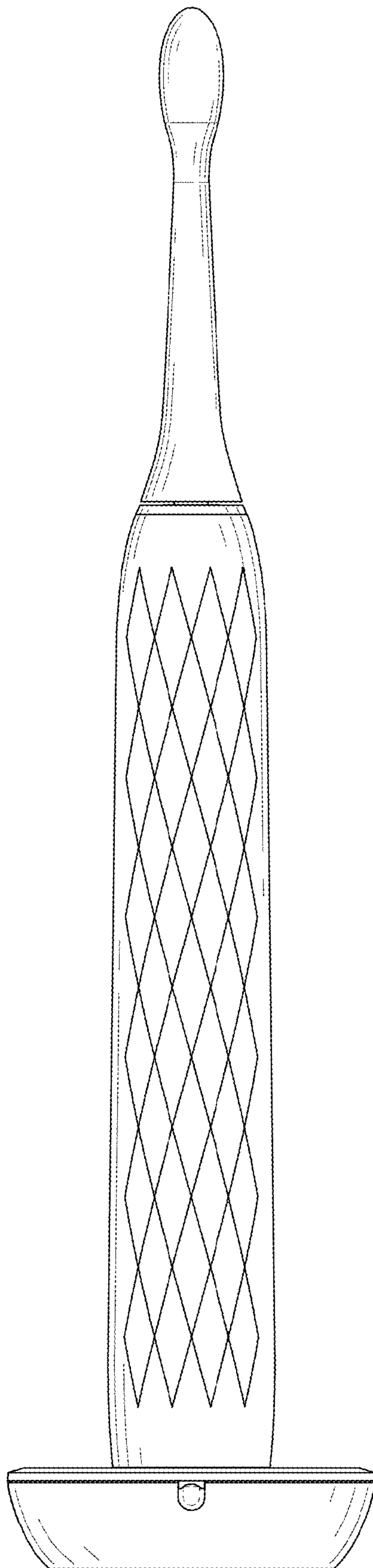


FIG. 4

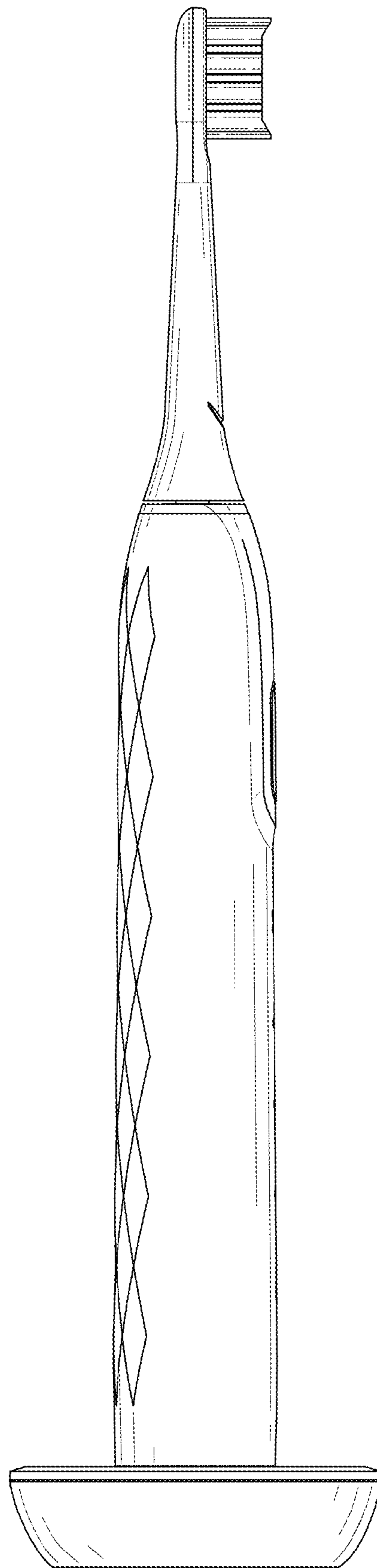


FIG. 5

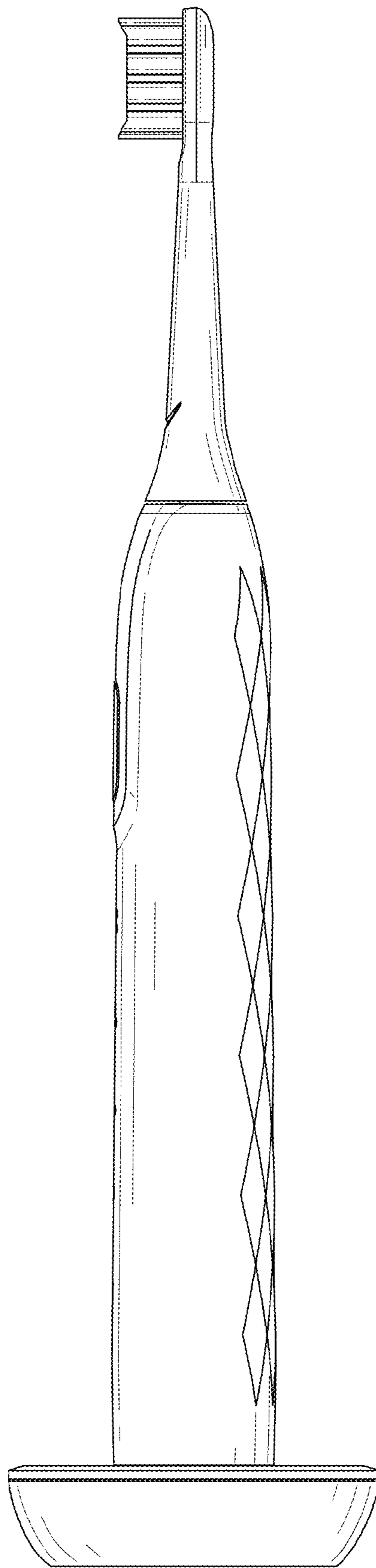


FIG. 6

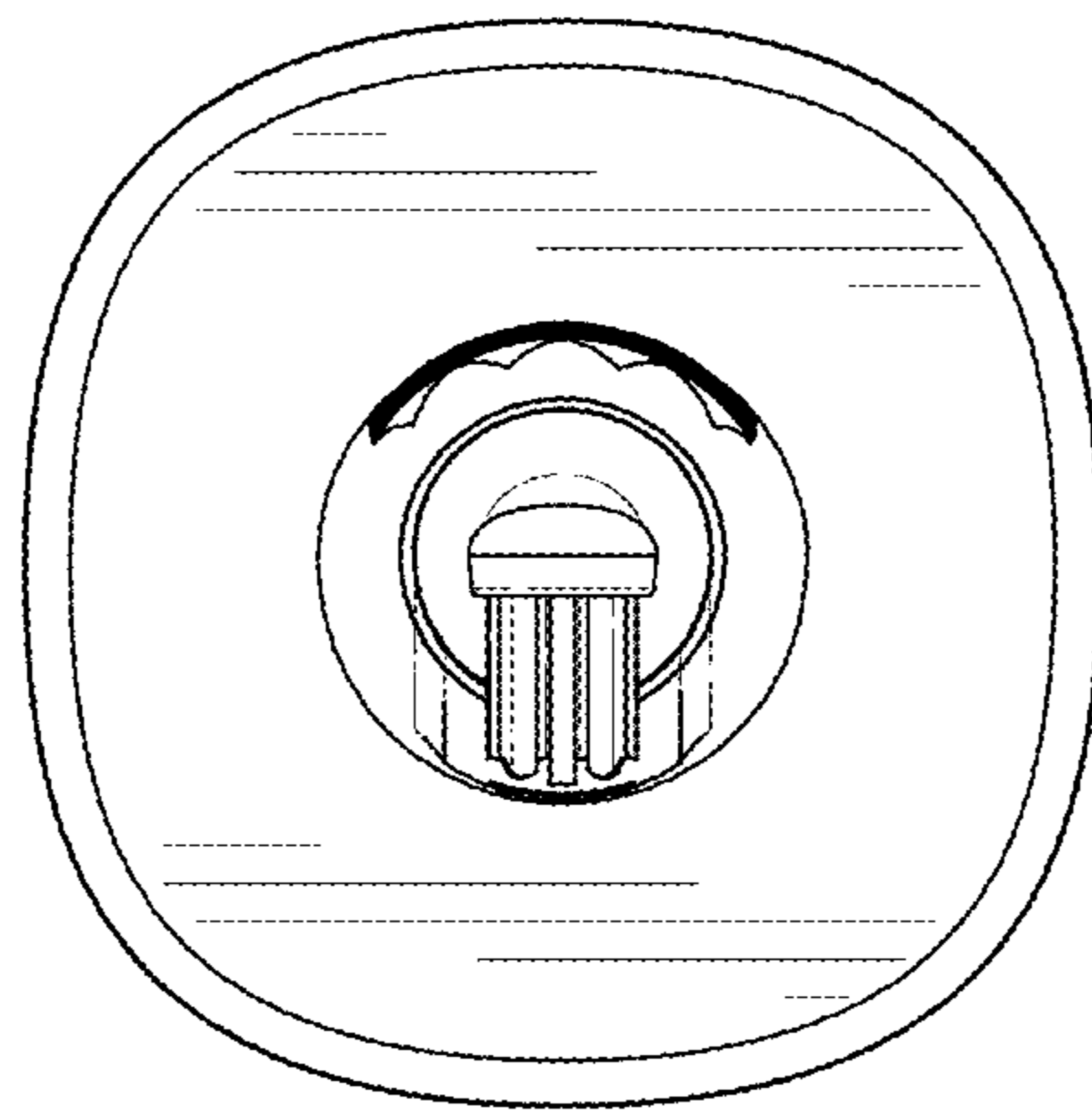


FIG. 7

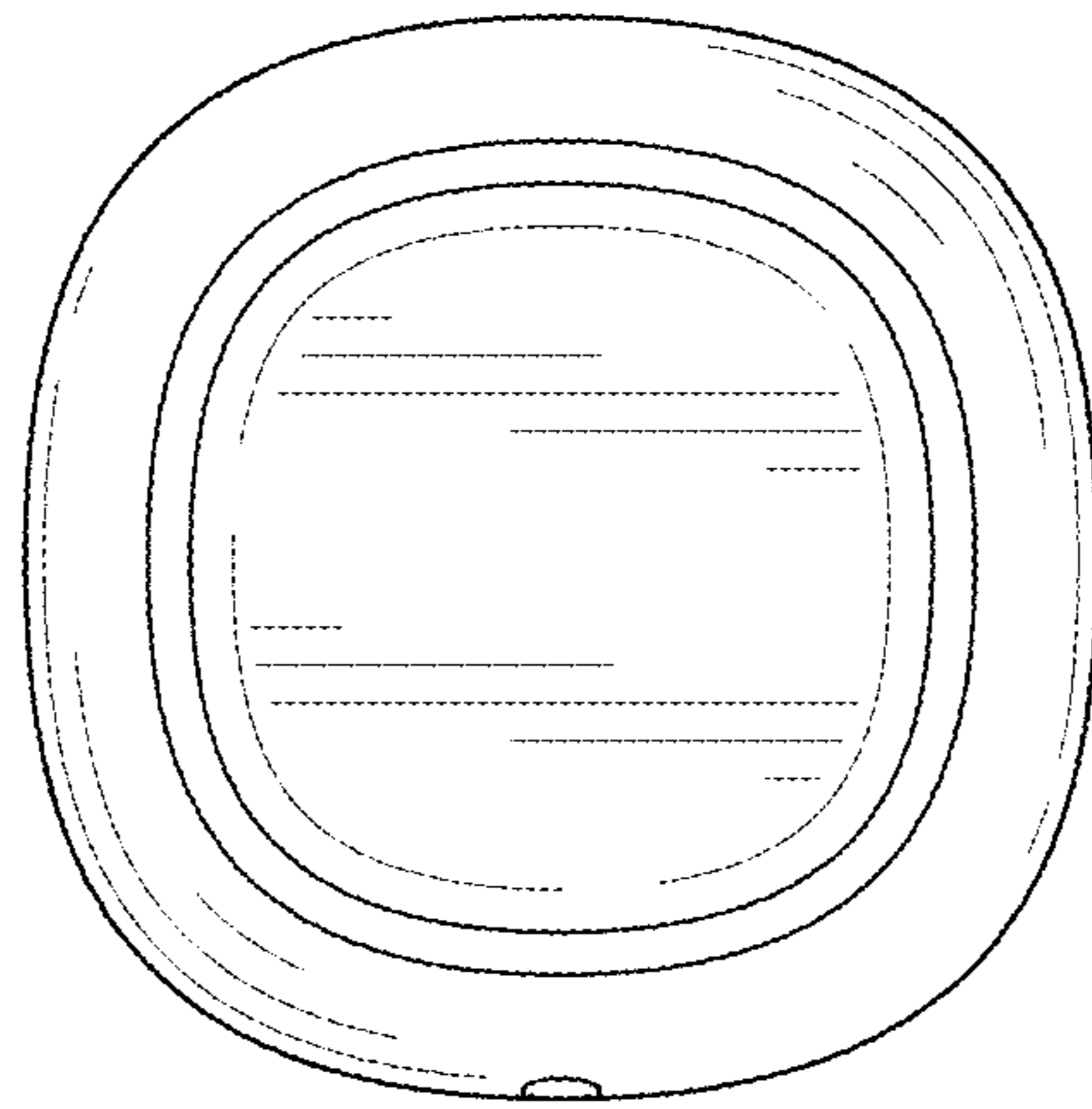


FIG. 8

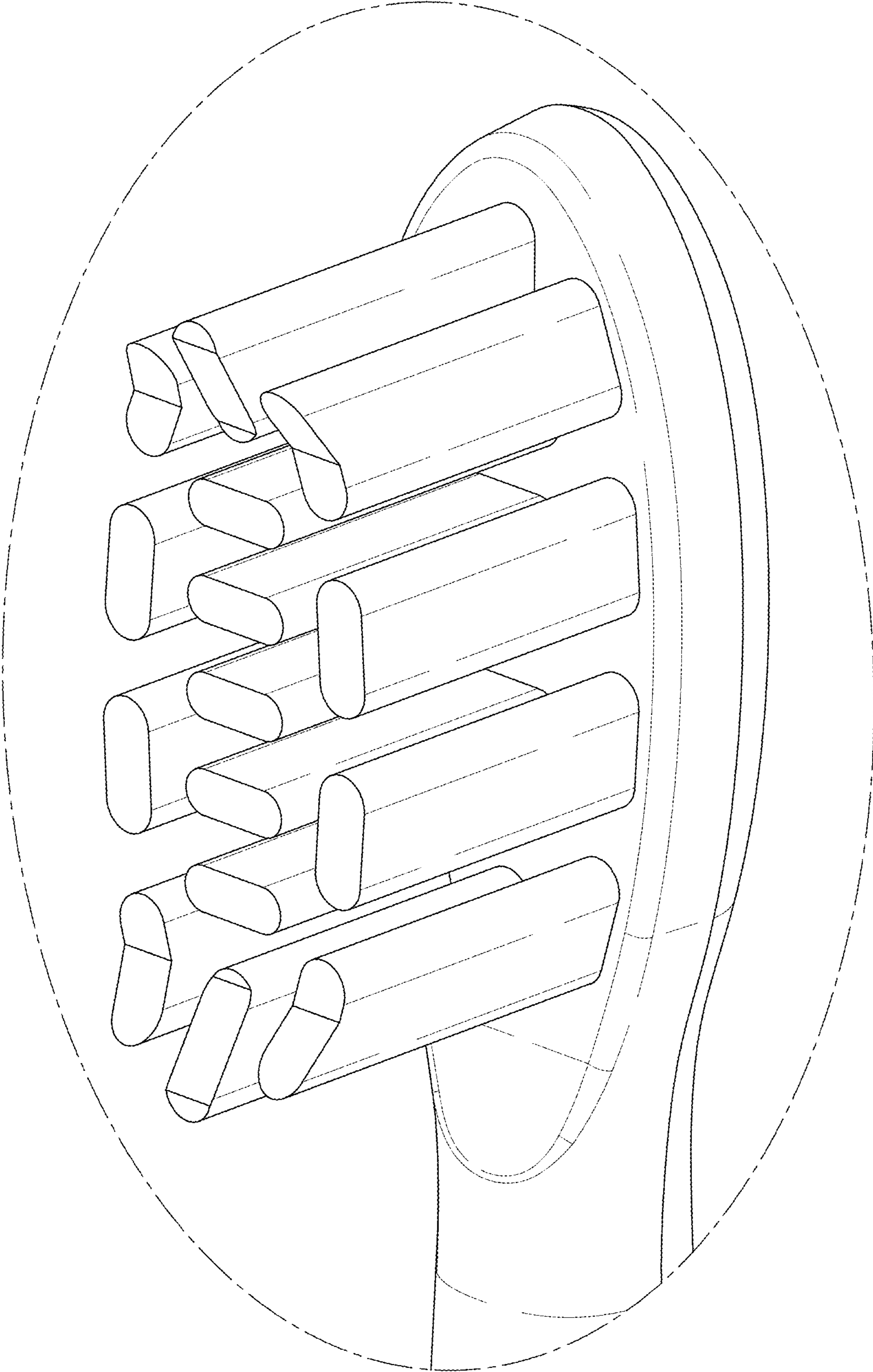


FIG. 9