



US00D895294S

(12) **United States Design Patent** (10) **Patent No.:** **US D895,294 S**
Xie (45) **Date of Patent:** **** Sep. 8, 2020**

(54) **POWER STRAIGHTENER BRUSH**

FOREIGN PATENT DOCUMENTS

(71) Applicant: **Shenzhen Delong Electronic Co., Ltd,**
Shenzhen (CN)

CN	304463323	*	1/2018
CN	305461920	*	11/2019
CN	305546961	*	1/2020
CN	305614068	*	2/2020
CN	305673920	*	3/2020
CN	305700895	*	4/2020
EM	007983218-0001	*	7/2020

(72) Inventor: **Junwei Xie,** Puning (CN)

(**) Term: **15 Years**

(21) Appl. No.: **29/735,147**

OTHER PUBLICATIONS

(22) Filed: **May 19, 2020**

Averil Beard Straightener by scree [on-line]. [Original publication date unknown.] [Retrieved from the Internet Apr. 22, 2020.] URL: > https://www.amazon.com/Straightener-Multifunctional-Electric-Straightening-110-240V/dp/B081CY32LQ/ref=psdc_11058131_t1_B07FXR53CY (Year: 2020).*

(51) **LOC (12) Cl.** **28-03**

(52) **U.S. Cl.**

USPC **D4/100; D28/35**

(58) **Field of Classification Search**

USPC D4/100, 116, 117, 118, 121, 122, 123, D4/127, 128, 129, 130, 132, 133, 134, D4/135, 136, 138, 199; D28/7, 13, 24, D28/25, 26, 15; 15/207.2; 132/120, 210, 132/271, 222

CPC .. A46B 9/06; A46B 9/023; A46B 5/00; A46B 5/02; A46B 15/003; A46B 9/028; A46B 2200/104; A45D 20/48; A45D 20/50

See application file for complete search history.

* cited by examiner

Primary Examiner — Karen E Eldridge Powers
(74) *Attorney, Agent, or Firm* — KA Filing LLC; Wayne V. Harper; Cynthia Flanigan

(57) **CLAIM**

I claim the ornamental design for a power straightener brush, as shown and described.

DESCRIPTION

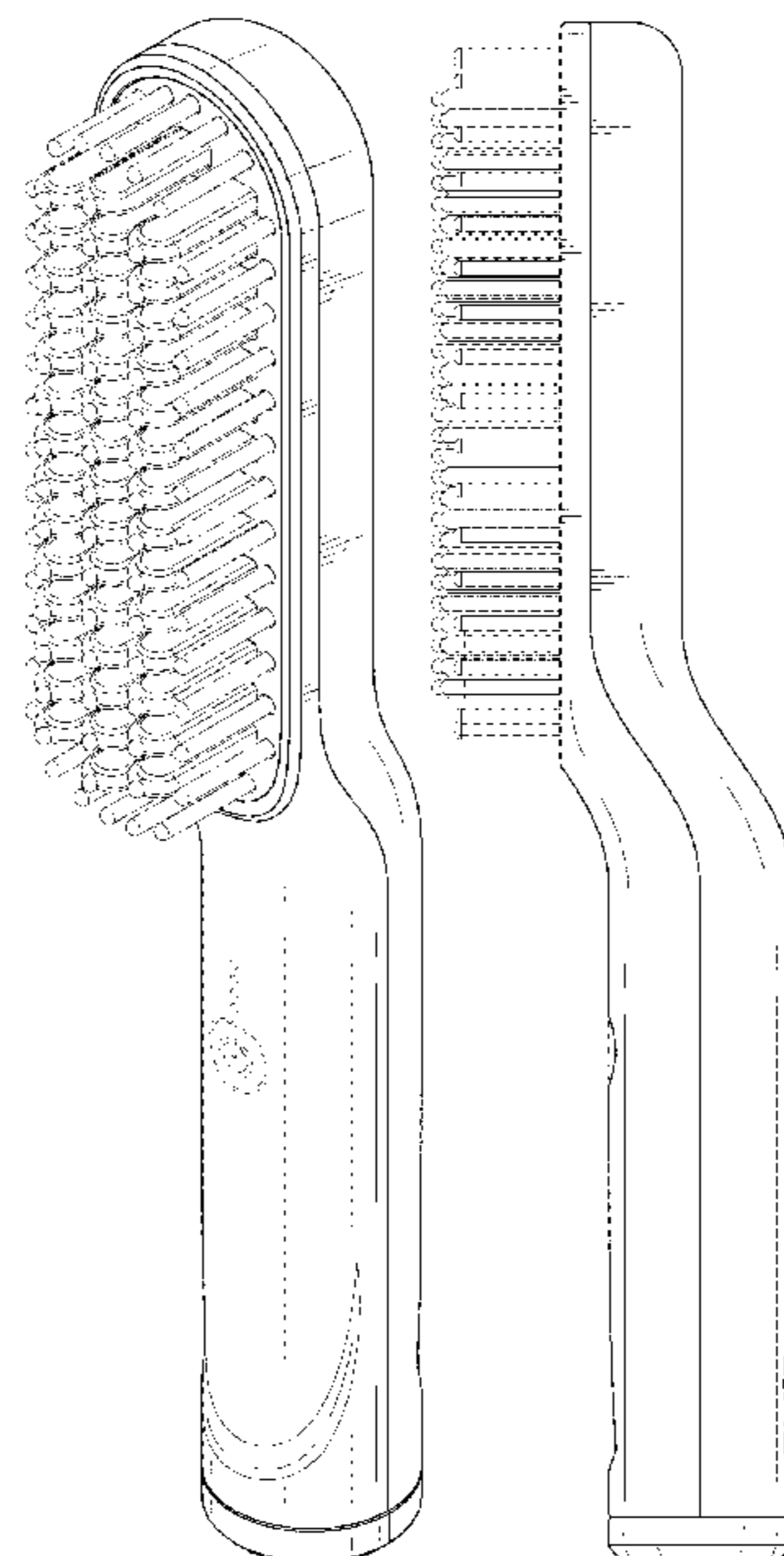
FIG. 1 is a perspective view of a power straightener brush showing my new design;
FIG. 2 is a front elevation view thereof;
FIG. 3 is a rear elevation view thereof;
FIG. 4 is a right-side elevation view thereof;
FIG. 5 is a left-side elevation view thereof;
FIG. 6 is a top plan view thereof; and,
FIG. 7 is a bottom plan view thereof.
The broken lines illustrate environmental structure and form no part of the claimed design.

(56) **References Cited**

U.S. PATENT DOCUMENTS

4,364,142	A *	12/1982	Pangle	A46B 5/02 119/623
7,650,893	B2 *	1/2010	De Laforcade	A46B 9/021 132/218
D795,595	S	8/2017	Exley		
D817,007	S	5/2018	Guy-Rabi et al.		
D821,649	S	6/2018	Qin		
D862,087	S	10/2019	Ma		
D885,765	S *	6/2020	Yuan	D4/100

1 Claim, 6 Drawing Sheets



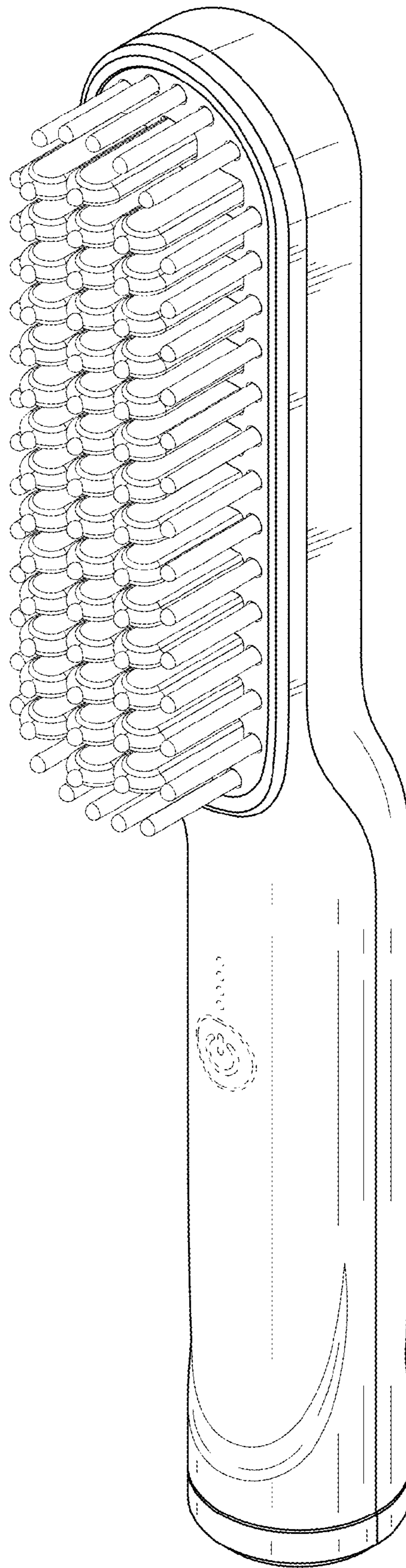


FIG. 1

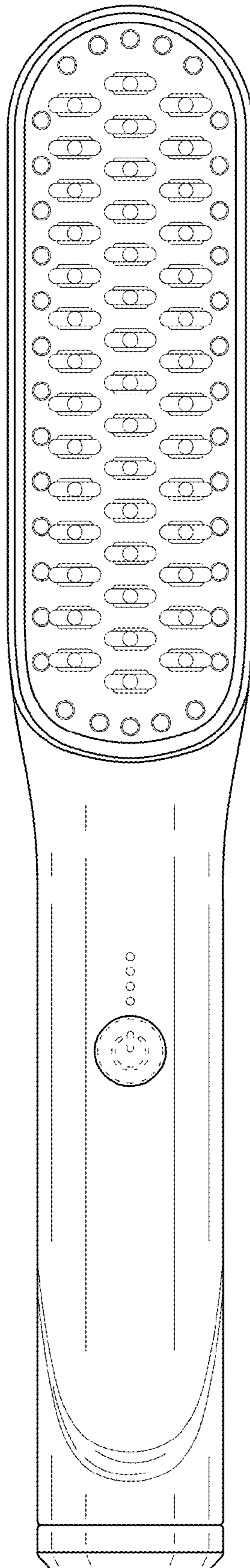


FIG. 2

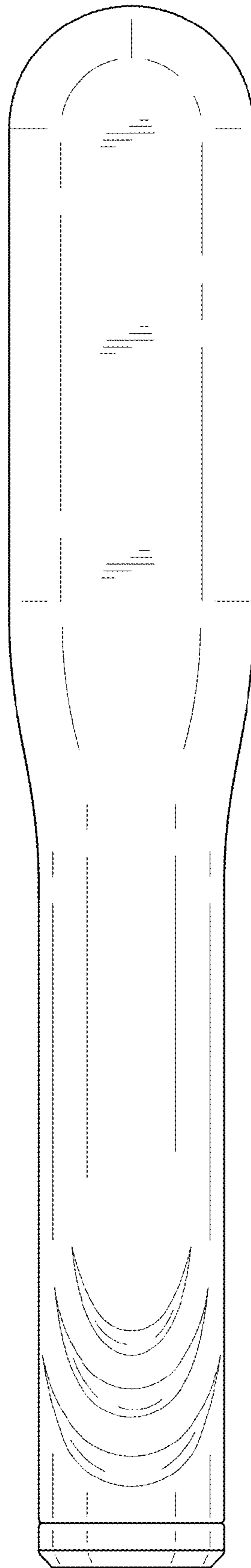


FIG. 3

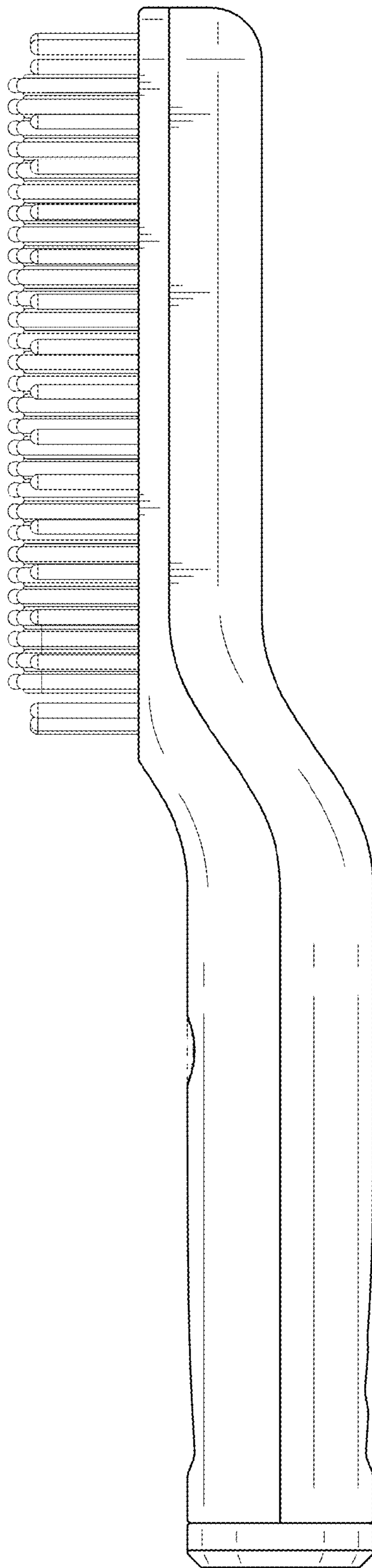


FIG. 4

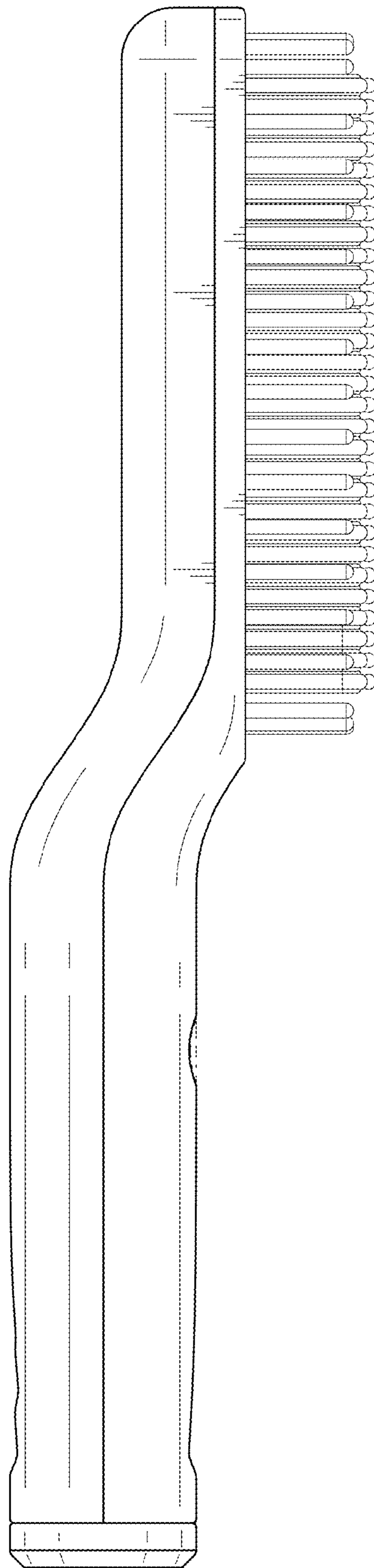


FIG. 5

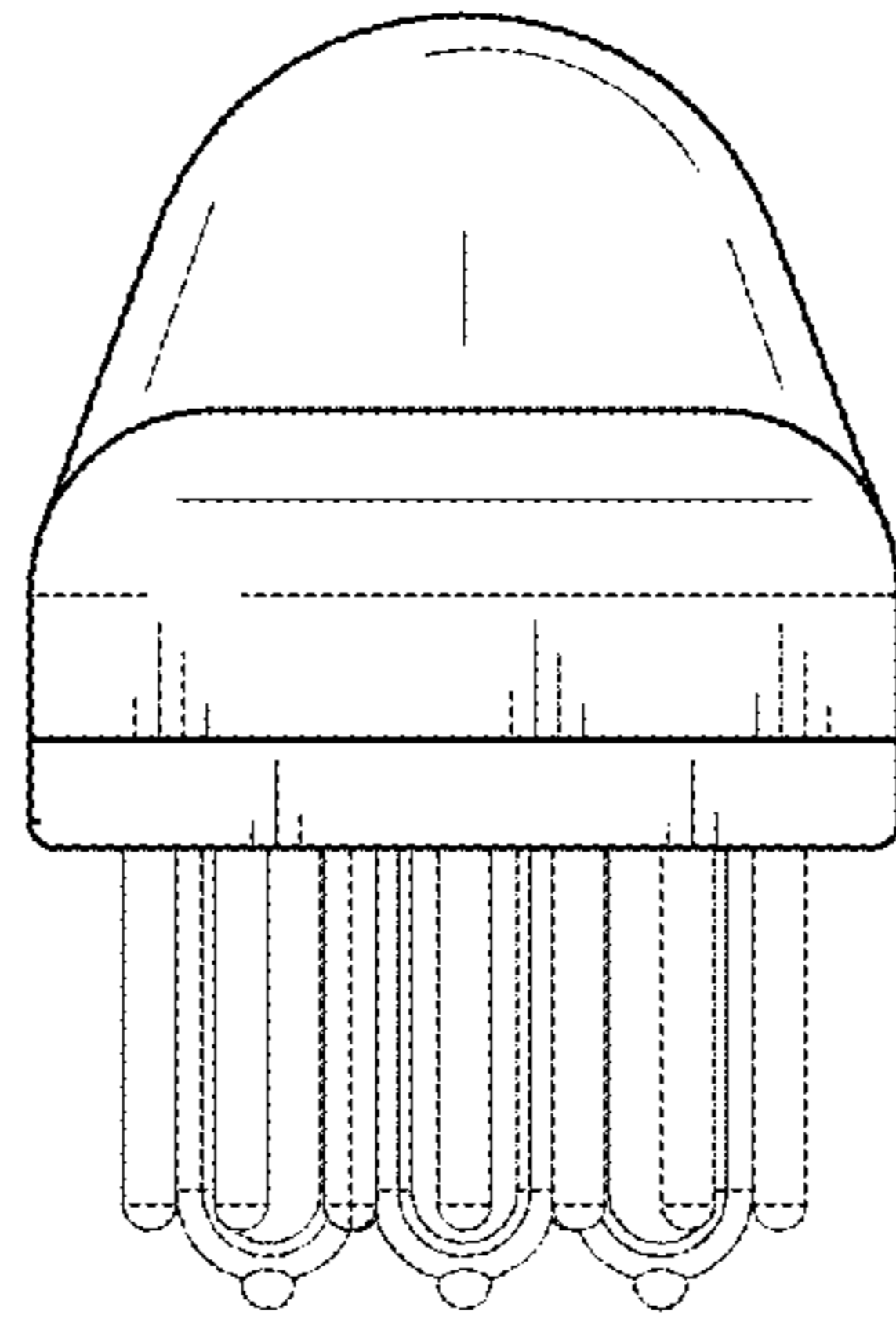


FIG. 6

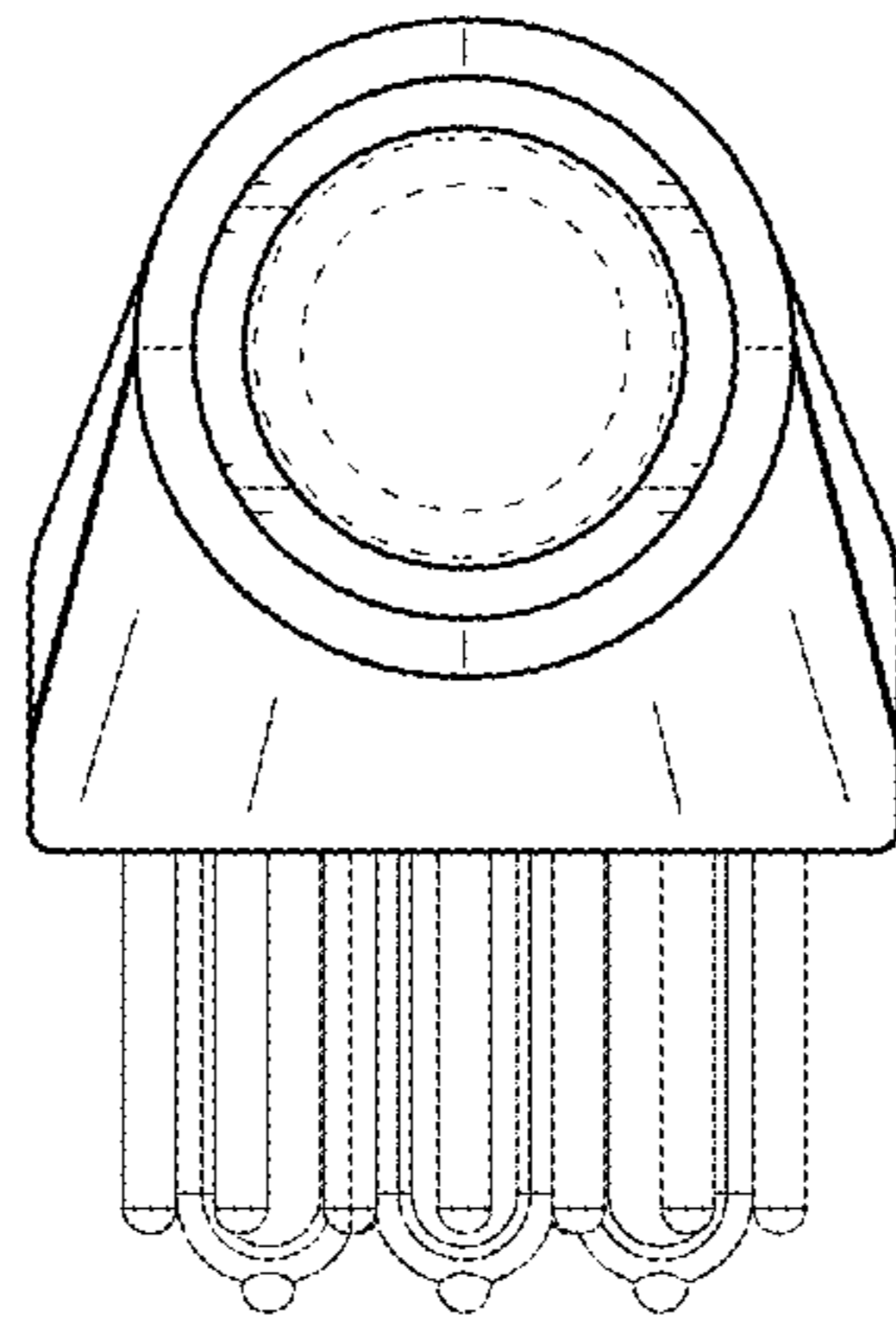


FIG. 7