



US00D895292S

(12) **United States Design Patent** (10) **Patent No.:** **US D895,292 S**  
**Barness** (45) **Date of Patent:** **\*\* Sep. 8, 2020**

(54) **PROTECTIVE LINER FOR SHOPPING BASKET**

(71) Applicant: **Safe Products LLC**, Scottsdale, AZ (US)

(72) Inventor: **Andrea L. Barness**, Scottsdale, AZ (US)

(\*\*) Term: **15 Years**

(21) Appl. No.: **29/737,036**

(22) Filed: **Jun. 4, 2020**

(51) **LOC (12) Cl.** ..... **03-01**

(52) **U.S. Cl.**  
USPC ..... **D3/310**

(58) **Field of Classification Search**  
USPC ..... D3/303–315, 318–319, 328; D7/590,  
D7/600.1, 601–602, 701

(Continued)

(56) **References Cited**

**U.S. PATENT DOCUMENTS**

2,235,293 A 3/1941 Mellon  
2,728,485 A \* 12/1955 Howard ..... B65D 71/0014  
206/200

(Continued)

**OTHER PUBLICATIONS**

American Metalcraft WBCLINER Plastic Liner for 7" Metal Baskets ([https://www.webstaurantstore.com/american-metalcraft-wbcliner-plastic-liner-for-7-metal-baskets/124WBCLINER.html?utm\\_source=bing&utm\\_medium=cpc&utm\\_campaign=Shopping%20LP&utm\\_term=1100404860340&utm\\_content=Disposables](https://www.webstaurantstore.com/american-metalcraft-wbcliner-plastic-liner-for-7-metal-baskets/124WBCLINER.html?utm_source=bing&utm_medium=cpc&utm_campaign=Shopping%20LP&utm_term=1100404860340&utm_content=Disposables)), Jun. 4, 2020.

(Continued)

*Primary Examiner* — Kelley A Donnelly

(74) *Attorney, Agent, or Firm* — Thomas W. Galvani, P.C.; Thomas W. Galvani

(57) **CLAIM**

The ornamental design for a protective liner for shopping basket, as shown and described.

**DESCRIPTION**

FIG. 1 is a left perspective view of a protective liner for shopping basket of embodiment 1 shown in accordance with my new design;

FIG. 2 is a right-side, front top perspective view of the protective liner for shopping basket shown in FIG. 1;

FIG. 3 is a left-side, front bottom perspective view of the protective liner for shopping basket shown in FIG. 1;

FIG. 4 is a right-side, front bottom perspective view of the protective liner for shopping basket shown in FIG. 1;

FIG. 5 is a front elevation view of the protective liner for shopping basket shown in FIG. 1;

FIG. 6 is a rear elevation view of the protective liner for shopping basket shown in FIG. 1;

FIG. 7 is a left side elevation view of the protective liner for shopping basket shown in FIG. 1;

FIG. 8 is a right side elevation view of the protective liner for shopping basket shown in FIG. 1;

FIG. 9 is a top plan view of the protective liner for shopping basket shown in FIG. 1;

FIG. 10 is a bottom plan view of the protective liner for shopping basket shown in FIG. 1;

FIG. 11 is a left perspective view of a protective liner for shopping basket of embodiment 2 shown in accordance with my new design;

FIG. 12 is a right-side, front top perspective view of the protective liner for shopping basket shown in FIG. 11;

FIG. 13 is a left-side front bottom perspective view of the protective liner for shopping basket shown in FIG. 11;

FIG. 14 is a right-side, front bottom perspective view of the protective liner for shopping basket shown in FIG. 11;

FIG. 15 is a front elevation view of the protective liner for shopping basket shown in FIG. 11;

FIG. 16 is a rear elevation view of the protective liner for shopping basket shown in FIG. 11;

FIG. 17 is a left side elevation view of the protective liner for shopping basket shown in FIG. 11;

FIG. 18 is a right side elevation view of the protective liner for shopping basket shown in FIG. 11;

(Continued)

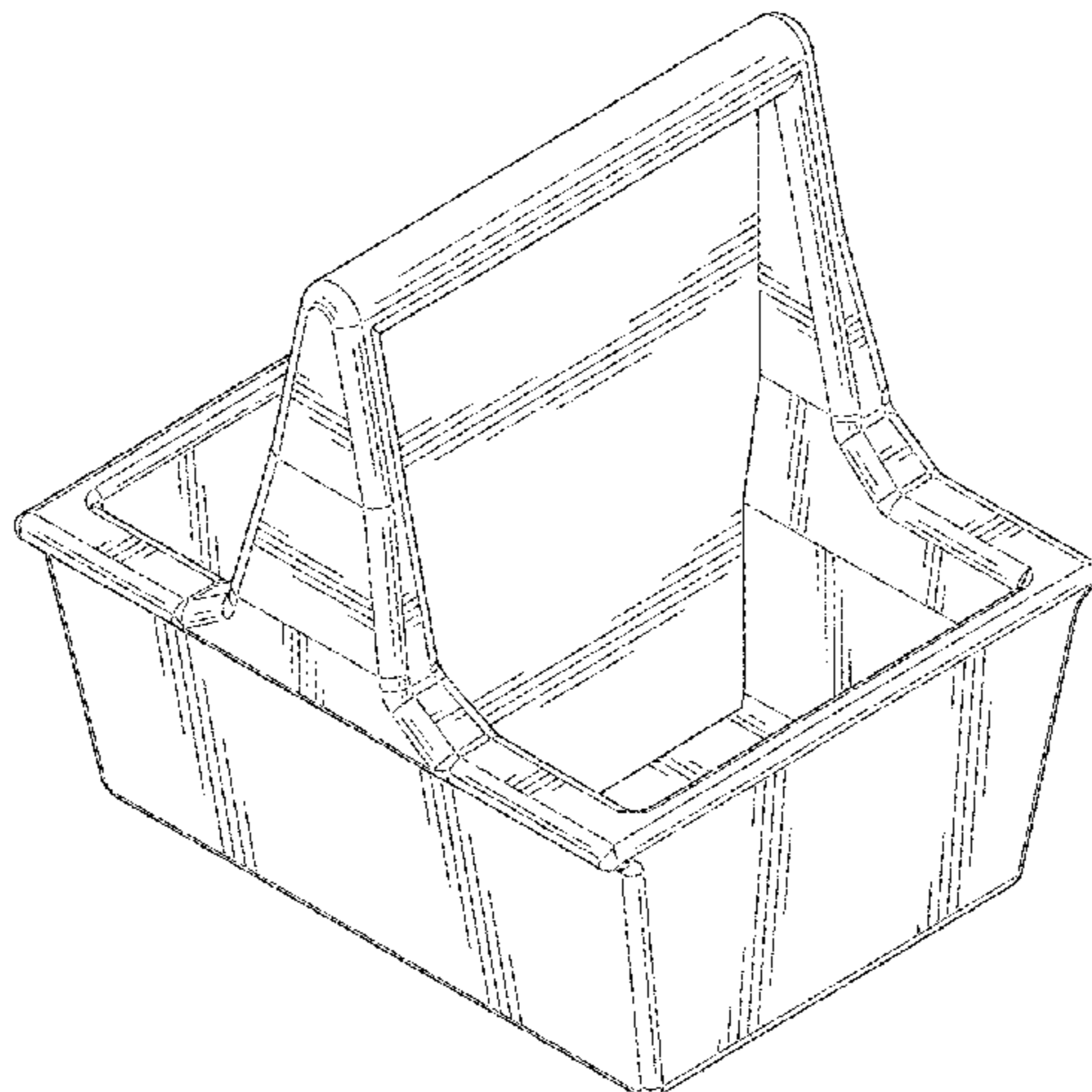


FIG. 19 is a top plan view of the protective liner for shopping basket shown in FIG. 11; and, FIG. 20 is a bottom plan view of the protective liner for shopping basket shown in FIG. 11. The features shown in broken lines are for the purposes of showing portions of the article which form no part of the claimed design.

**1 Claim, 20 Drawing Sheets**

(58) **Field of Classification Search**

CPC ... B65D 1/00; B65D 1/34; B65D 1/36; B65D 85/00; B65D 90/04; B65D 90/046  
See application file for complete search history.

(56) **References Cited**

U.S. PATENT DOCUMENTS

3,349,936	A	10/1967	Morton et al.	
D305,469	S	1/1990	Mautner	
5,097,979	A	3/1992	McDermott et al.	
5,240,134	A	8/1993	McDermott et al.	
5,310,077	A	5/1994	McDermott et al.	
D358,937	S	6/1995	Duckworth	
D376,477	S *	12/1996	Patterson, Jr. ....	D3/304
5,865,407	A	2/1999	Effa	
5,941,408	A	8/1999	Sherman	
D448,169	S	9/2001	Rine et al.	
6,296,138	B1	10/2001	Hannah et al.	
6,615,543	B1	9/2003	Palsrok	
D484,011	S *	12/2003	Strobel .....	D3/309
7,320,411	B1	1/2008	Shenosky et al.	
D649,786	S *	12/2011	Lipfert .....	D3/308

D676,241	S	2/2013	Merrill	
D688,589	S *	8/2013	Hung .....	D11/148
8,636,169	B2 *	1/2014	Sampaio .....	B65D 25/2891 220/500
D714,059	S *	9/2014	Blackwell .....	D3/304
D773,238	S	12/2016	Matthews et al.	
D790,857	S *	7/2017	Pabonan .....	D3/310
10,086,977	B2	10/2018	Ruha et al.	
D843,113	S *	3/2019	Carter .....	D3/315
D876,835	S *	3/2020	Libman .....	D3/310
2006/0027469	A1 *	2/2006	Irwin .....	A47L 13/51 206/216
2009/0020657	A1	1/2009	Dayton et al.	
2010/0018937	A1 *	1/2010	Goto .....	B65D 1/24 211/117

OTHER PUBLICATIONS

Berry Basket Colander and Storage Container—3 Piece Set (<https://www.walmart.com/ip/Berry-Basket-Colander-and-Storage-Container-3-Piece-Set/438307309>), Jun. 4, 2020.

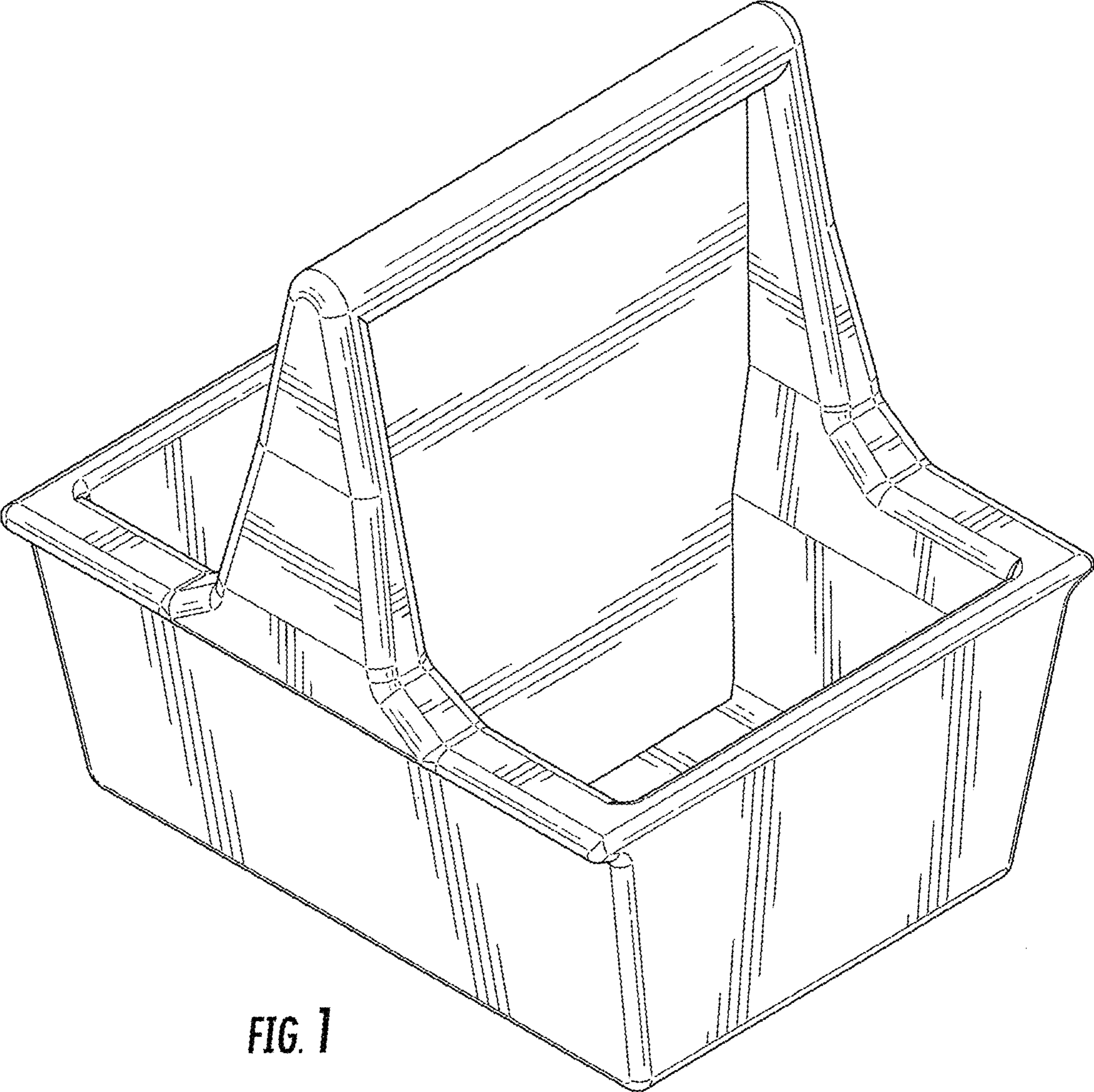
LOOKAT Bread Basket Picnic Basket Wire Basket Wire Fruit Basket Wire Storage Basket, Metal Wire Basket with Removable Liner, Great for Bread, Snacks, Household Items, Kitchen Storage ([https://www.amazon.com/dp/B0812722BX?tag=4778\\_v\\_others-20&linkCode=osi&th=1&psc=1](https://www.amazon.com/dp/B0812722BX?tag=4778_v_others-20&linkCode=osi&th=1&psc=1)), Jun. 4, 2020.

Page 16 Plastic bucket liner (<https://www.micronova-mfg.com/media/1953/micronova-catalog-2015.pdf>).

Paint Scuttle Liners (<https://www.brooklyntrading.co.uk/products/wooster-paint-scuttle-5-x-liners-8l>), Jun. 4, 2020.

Stonebriar Farmhouse Metal Chicken Wire Picnic Basket with Hinged Lids, Handles, and Heart Detail, 10.5"x6.5", Cream ([https://www.amazon.com/dp/B01MT9TN2Z?tag=1\\_dk\\_v\\_others\\_tn3\\_t2g1-20&linkCode=osi&th=1&psc=1](https://www.amazon.com/dp/B01MT9TN2Z?tag=1_dk_v_others_tn3_t2g1-20&linkCode=osi&th=1&psc=1)), Jun. 4, 2020.

\* cited by examiner



**FIG. 1**

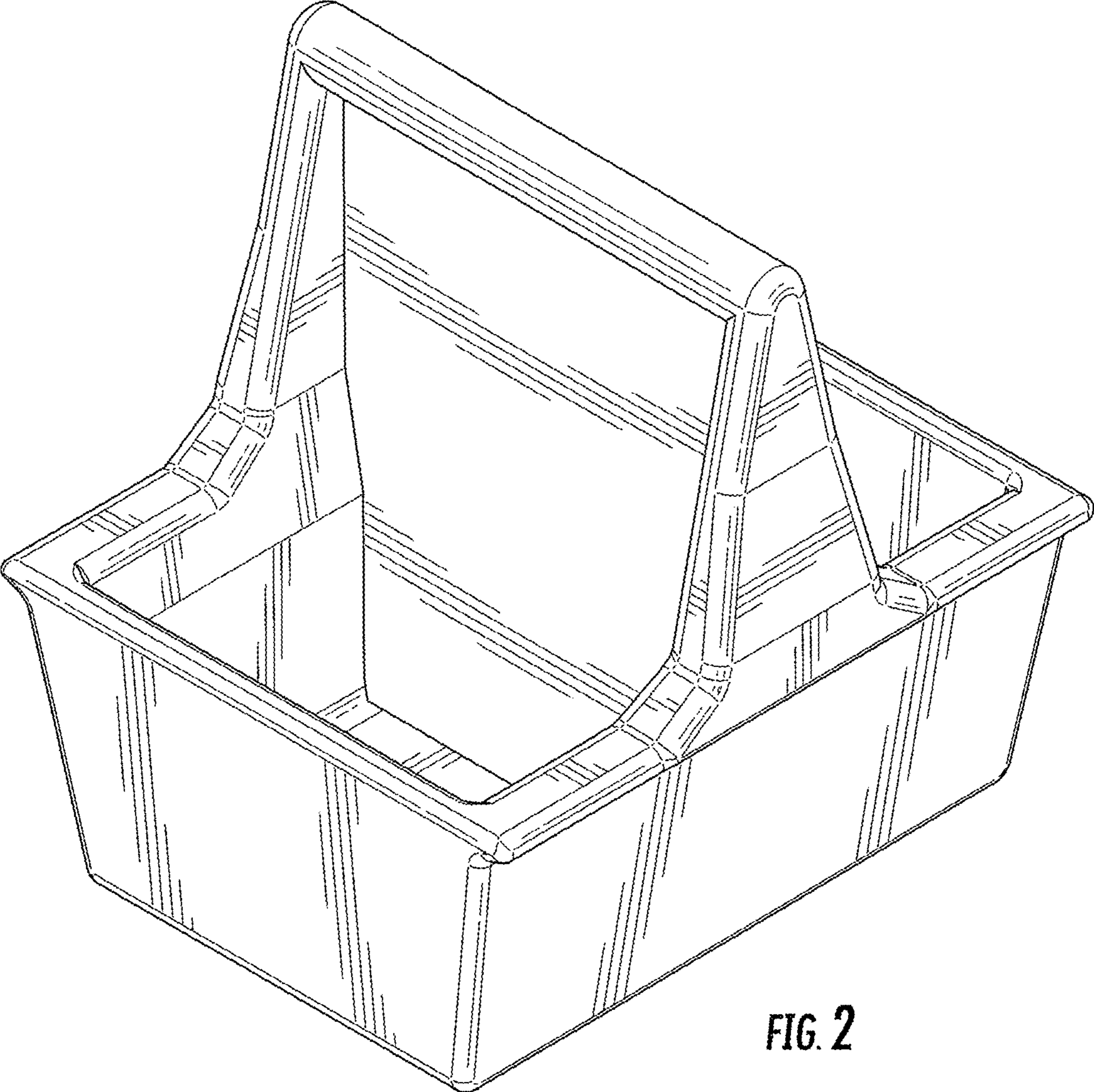


FIG. 2

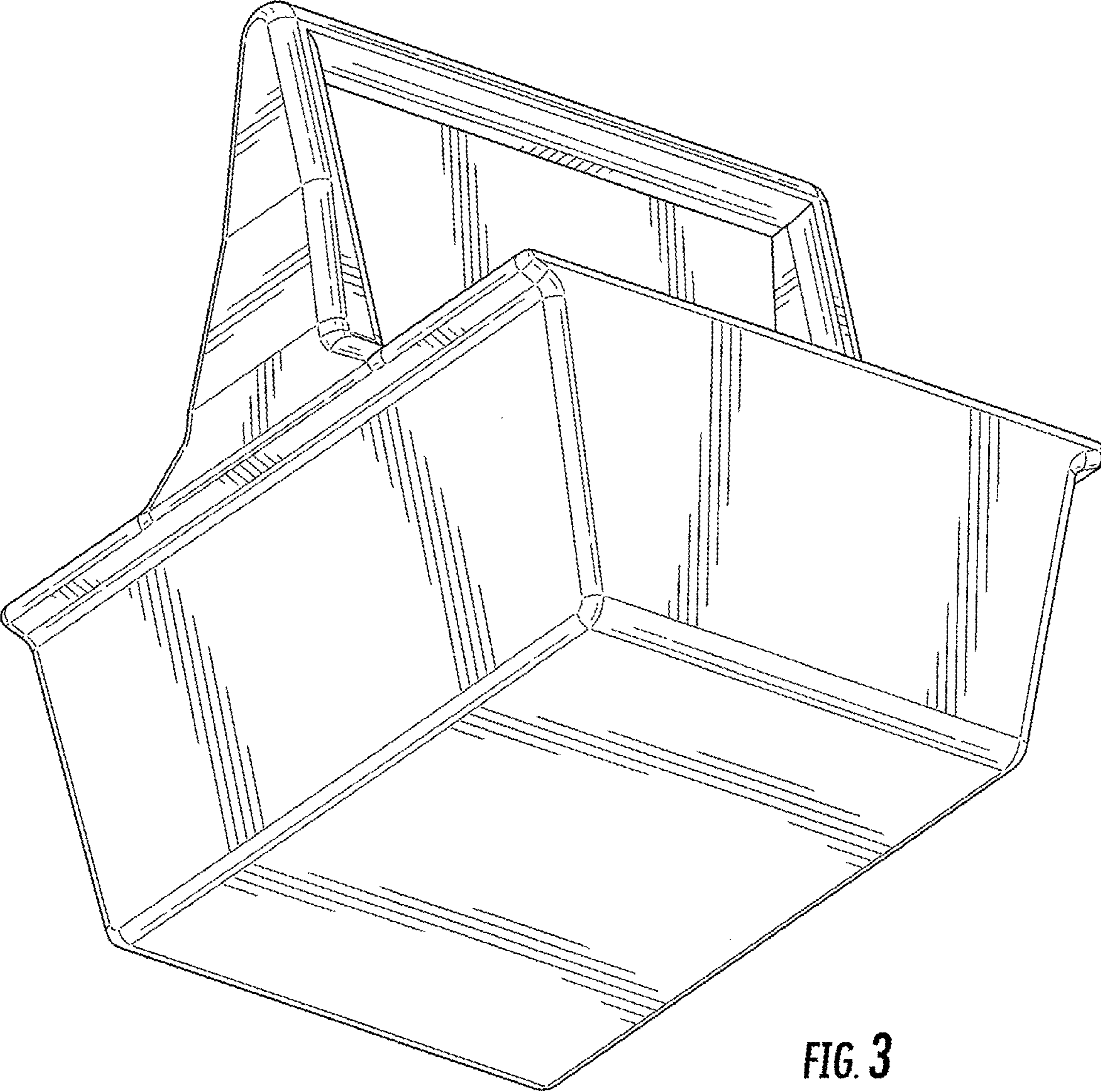


FIG. 3

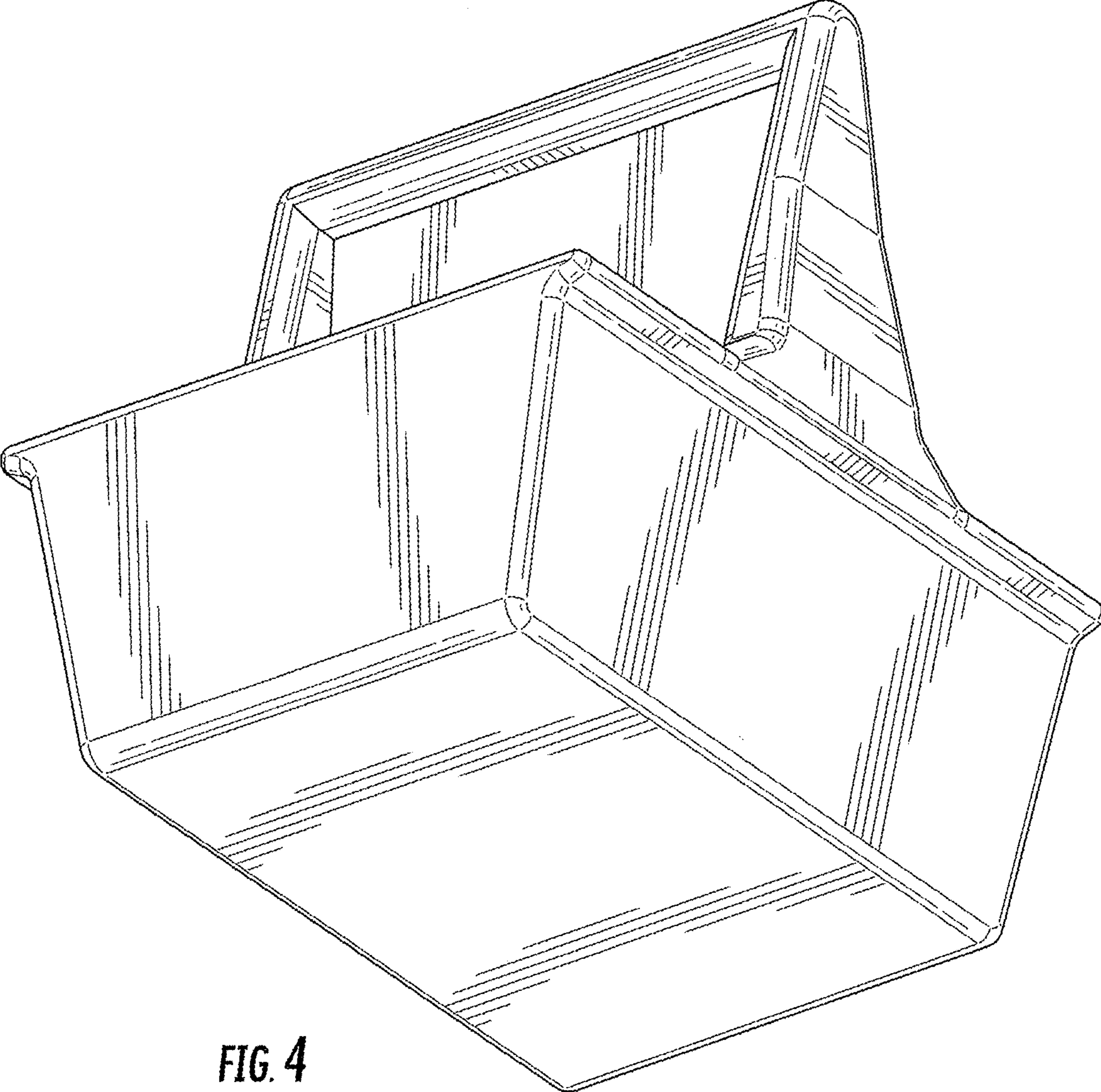


FIG. 4

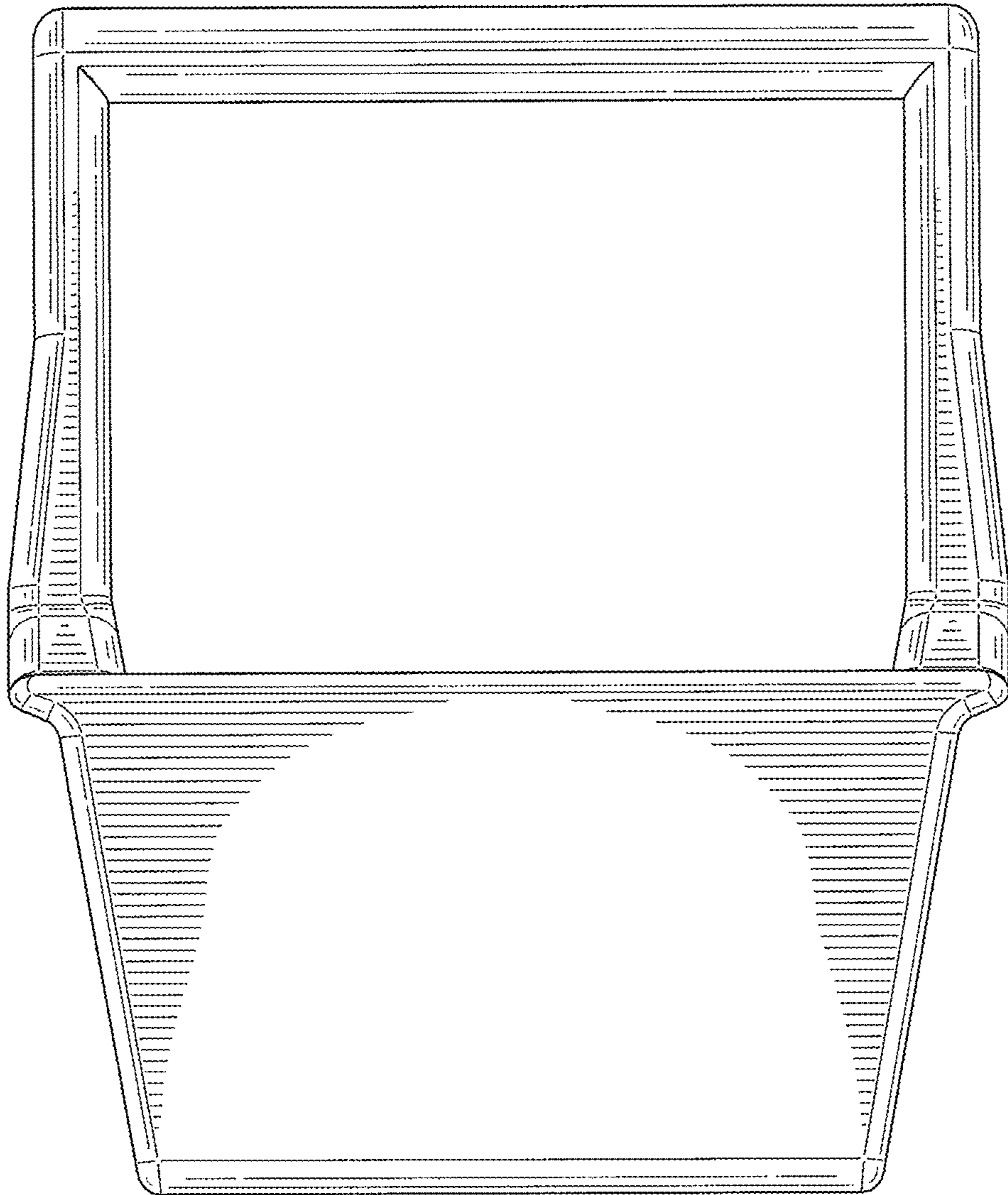


FIG. 5

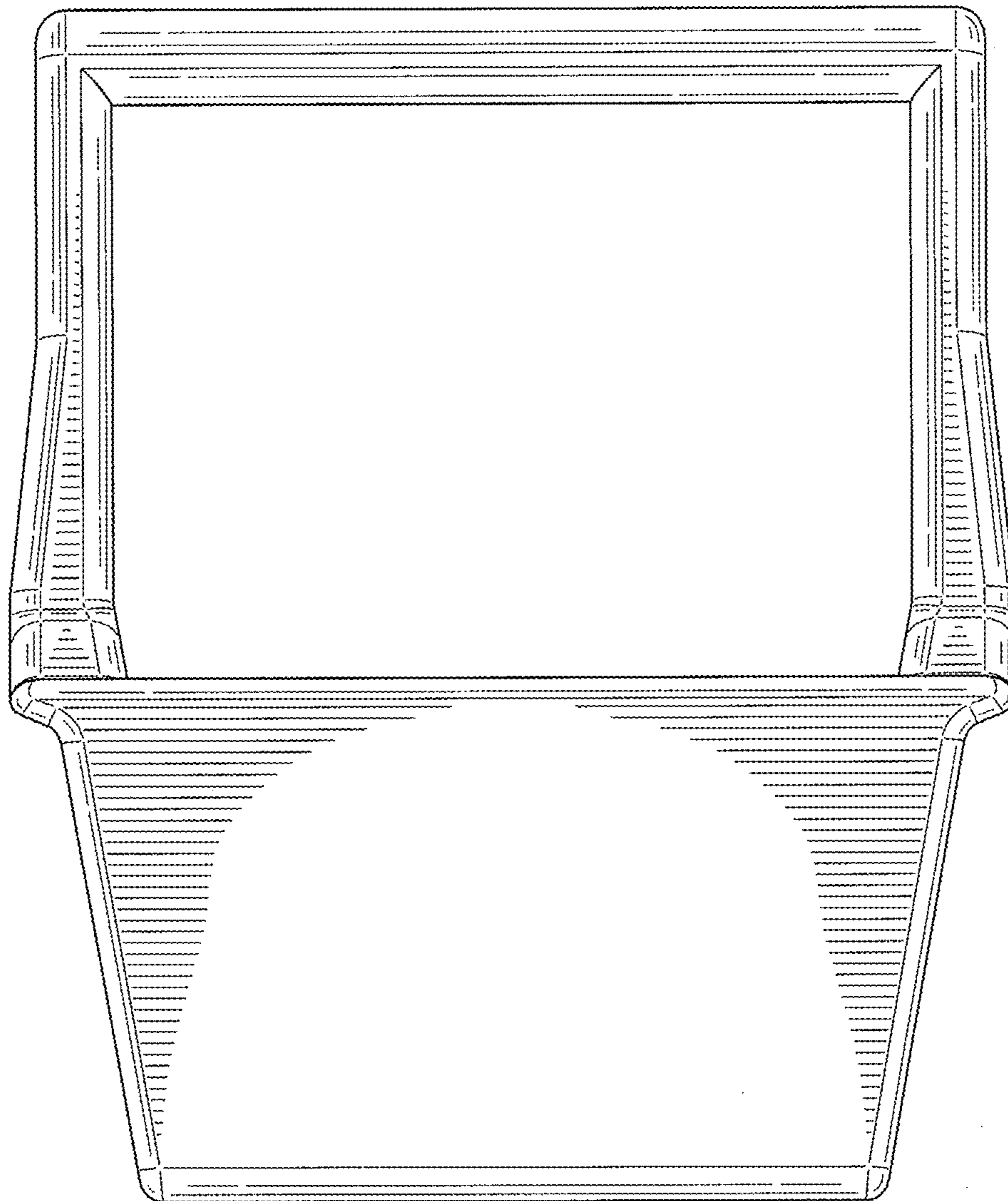


FIG. 6



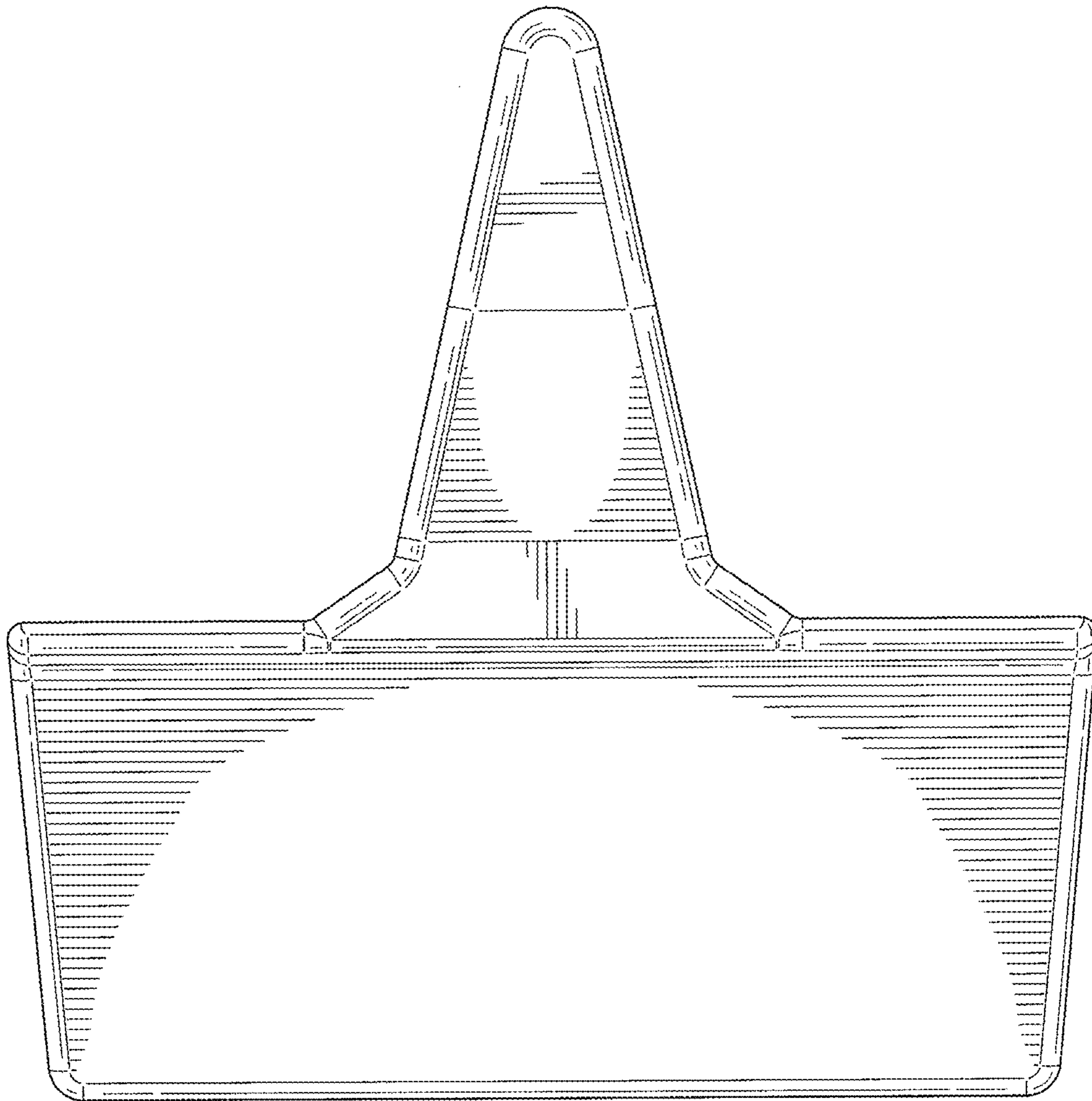


FIG. 7

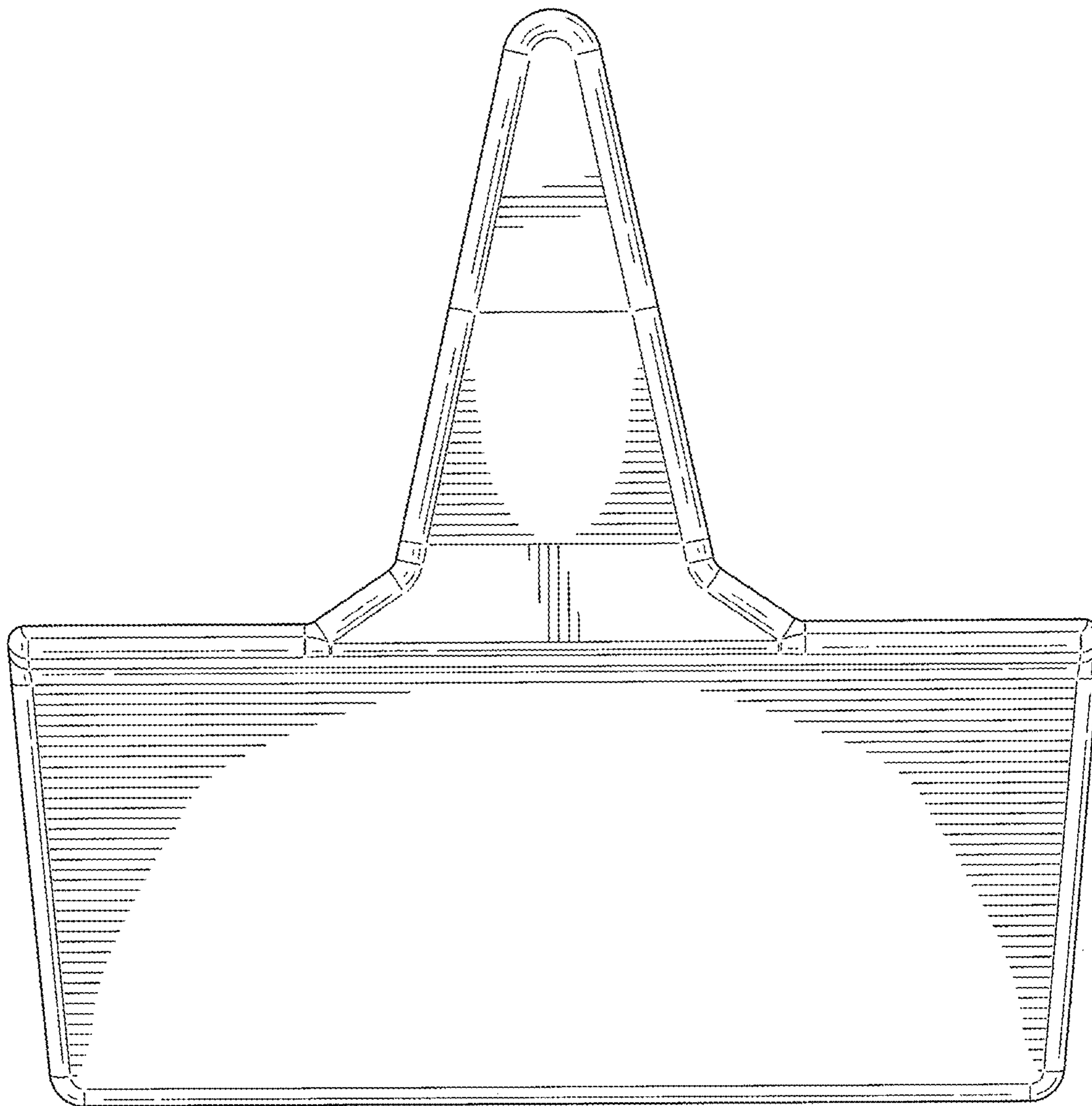


FIG. 8

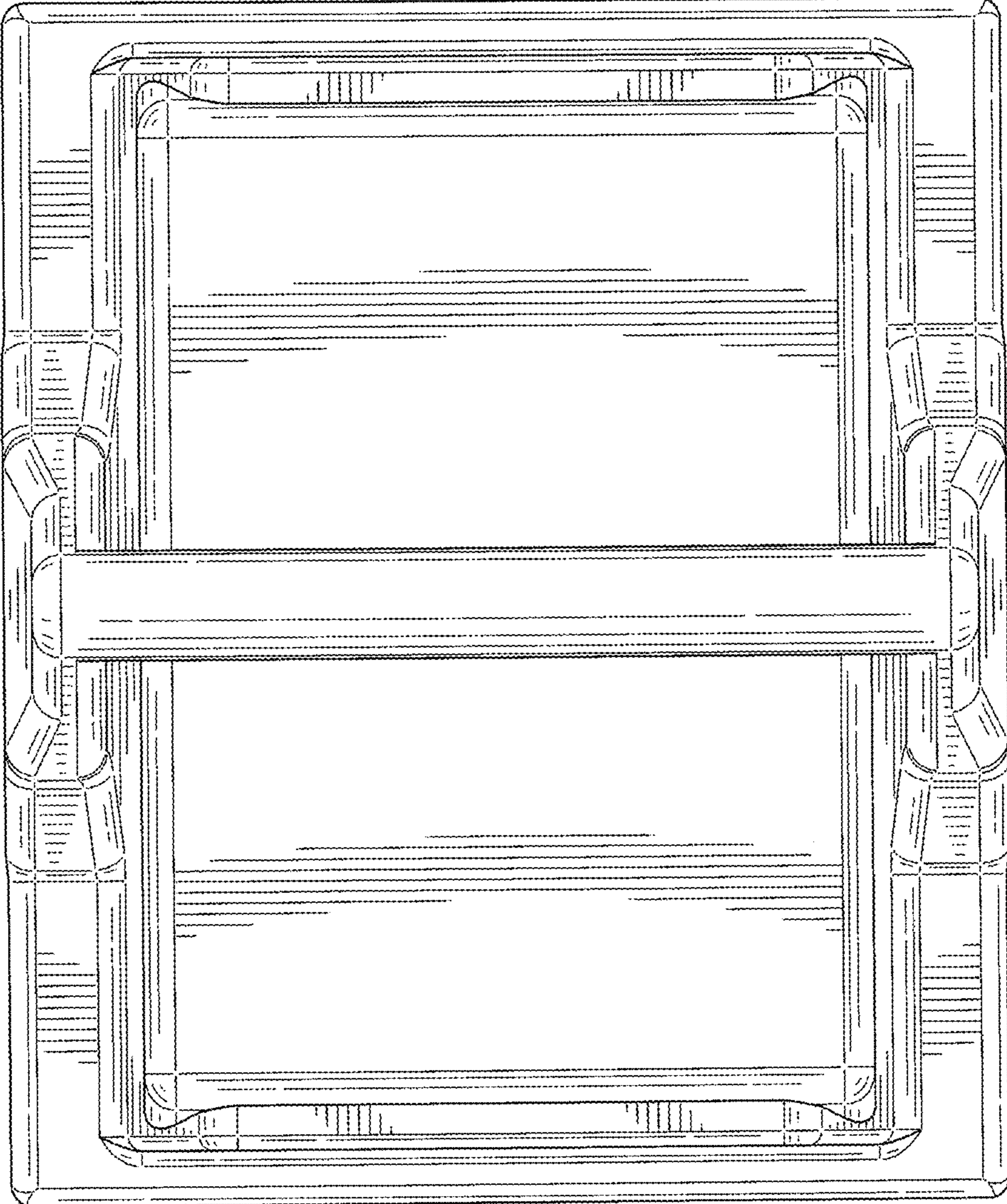


FIG. 9

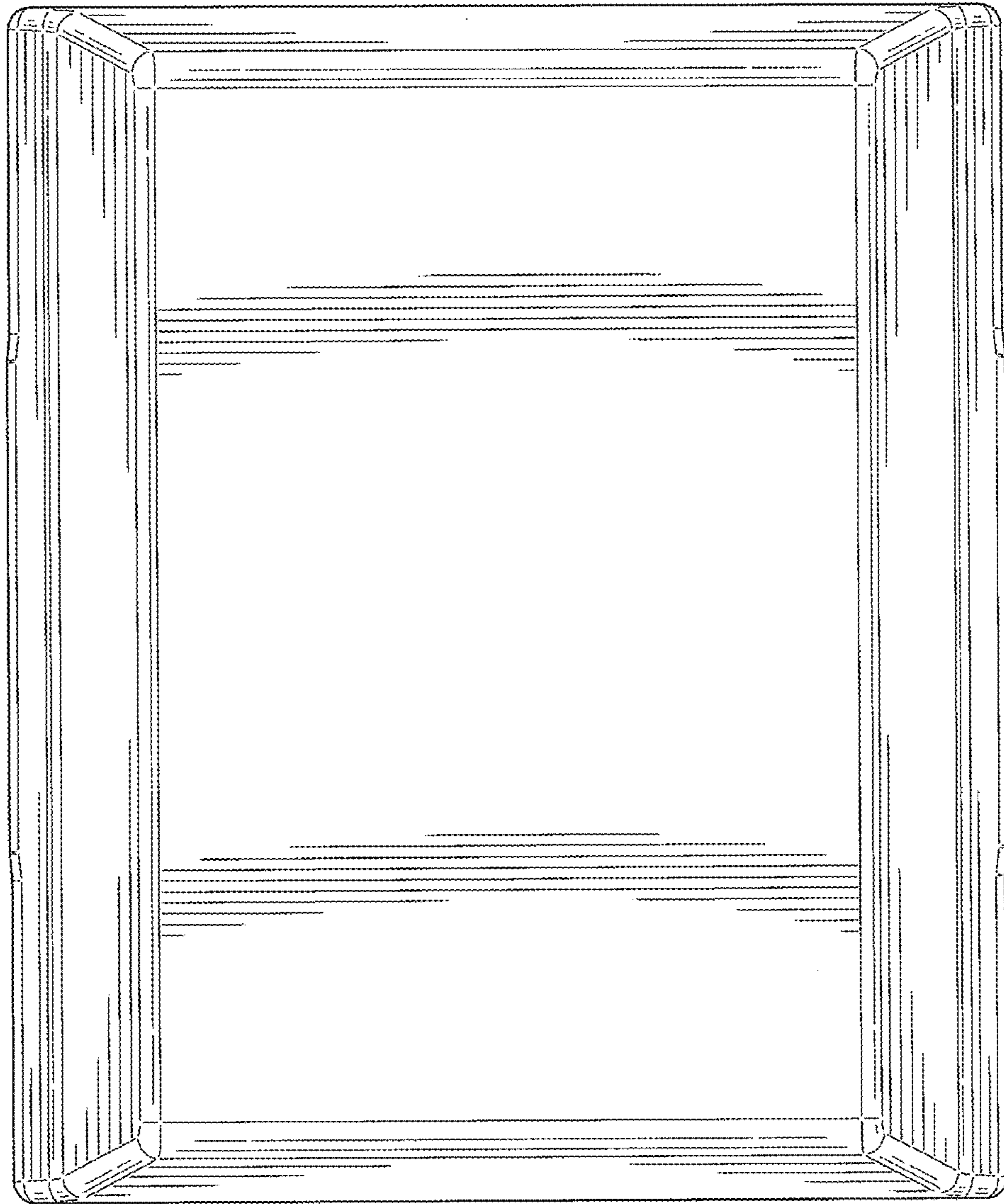
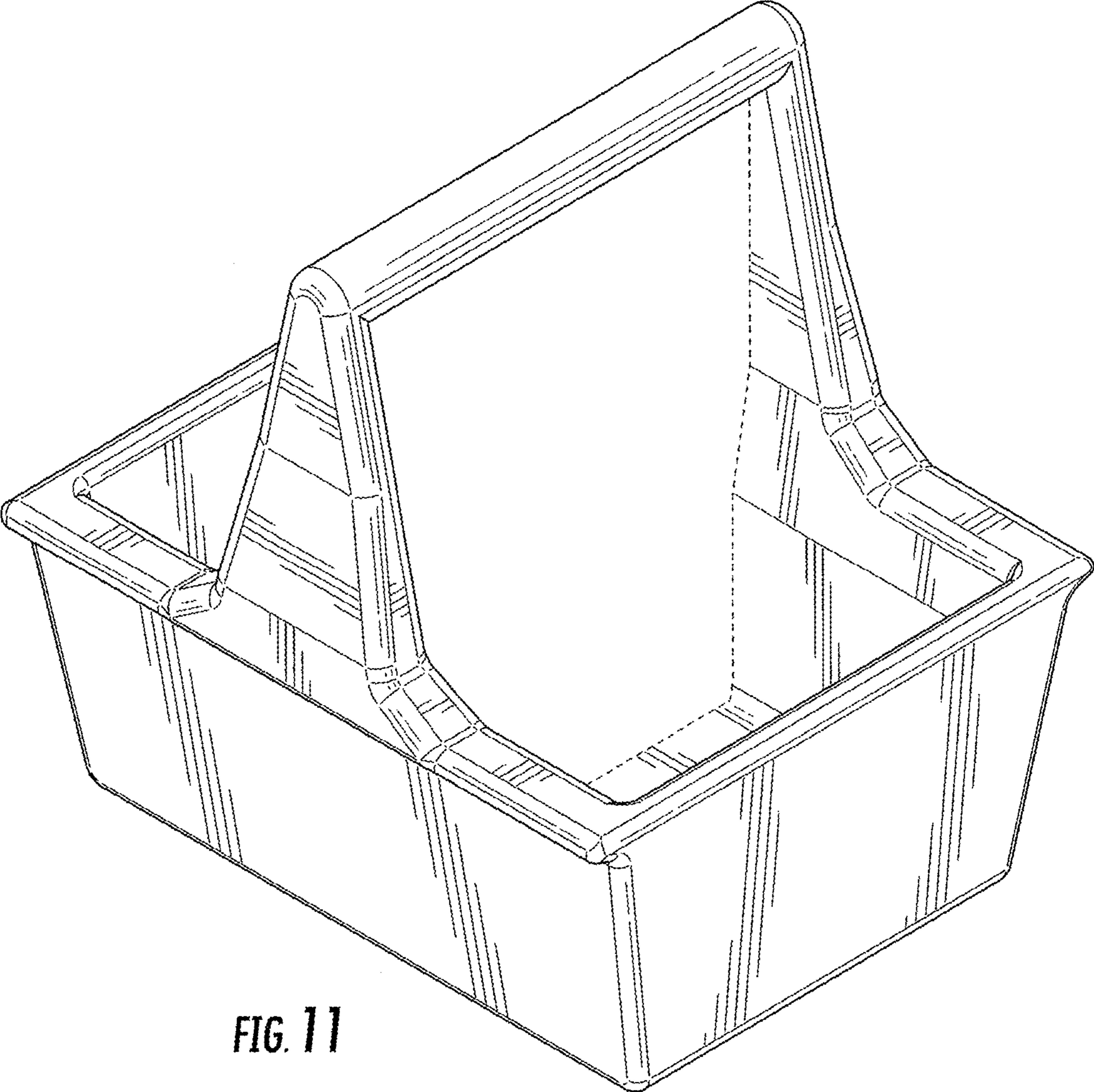
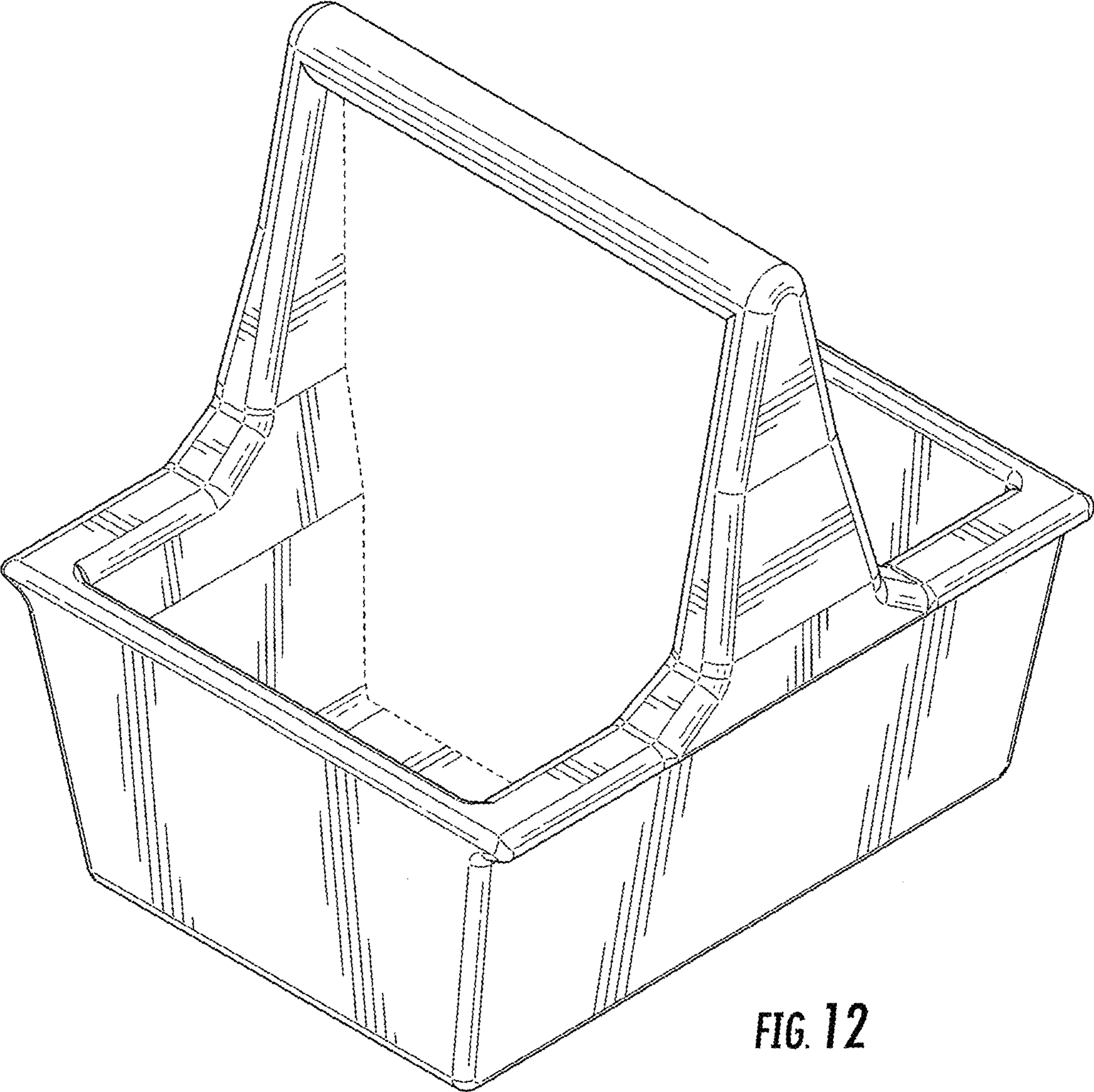


FIG. 10



**FIG. 11**



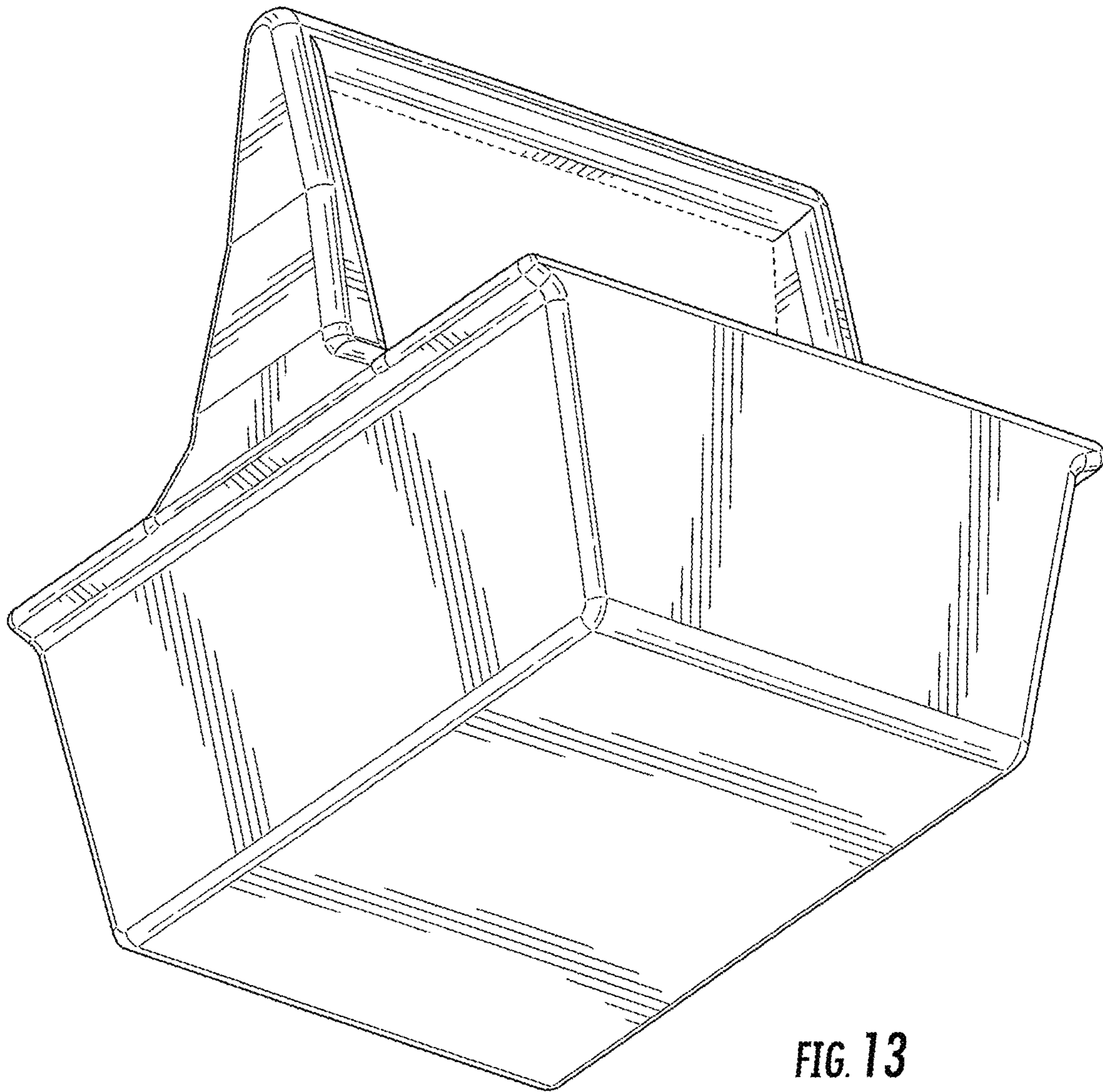


FIG. 13

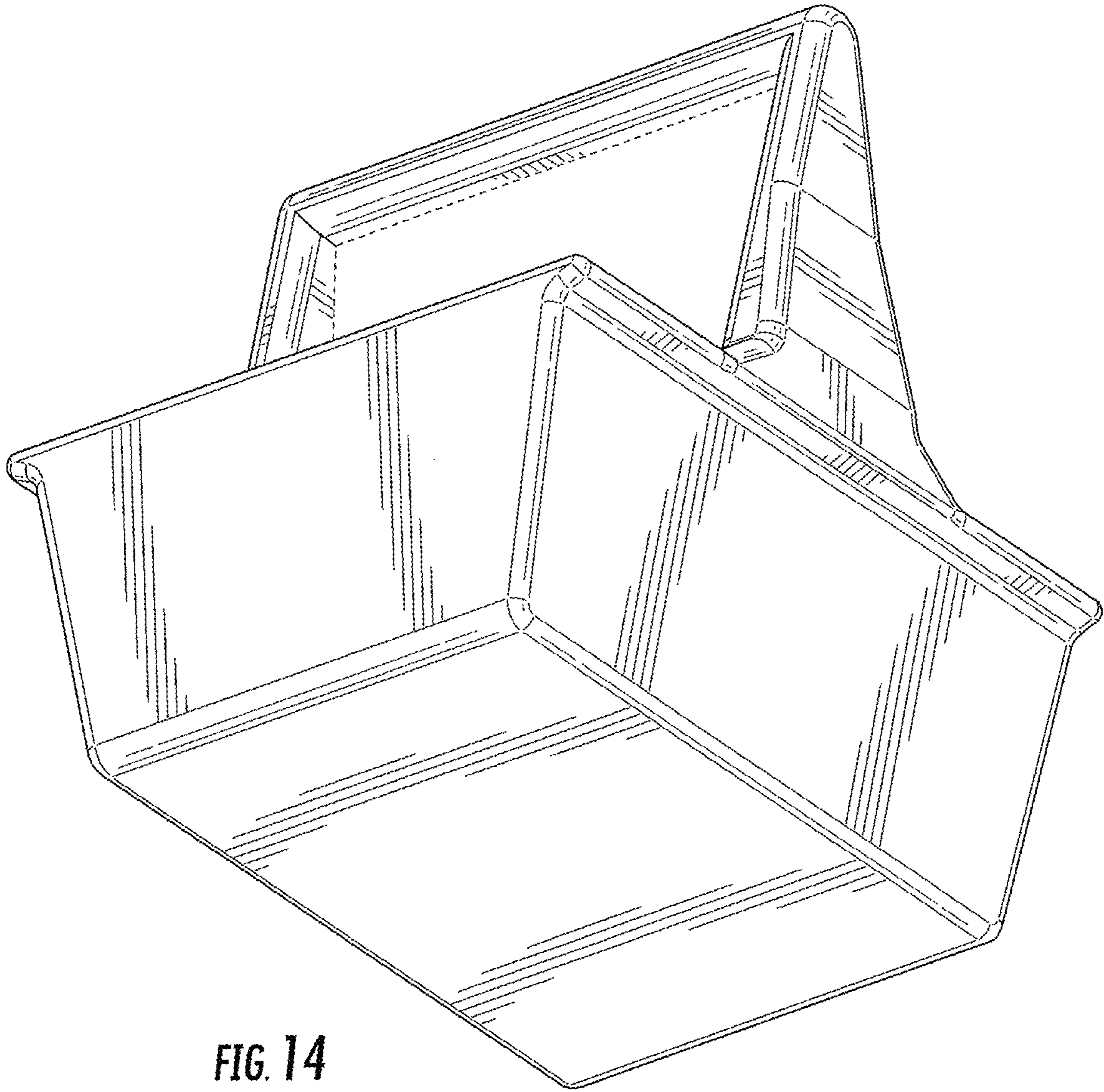


FIG. 14



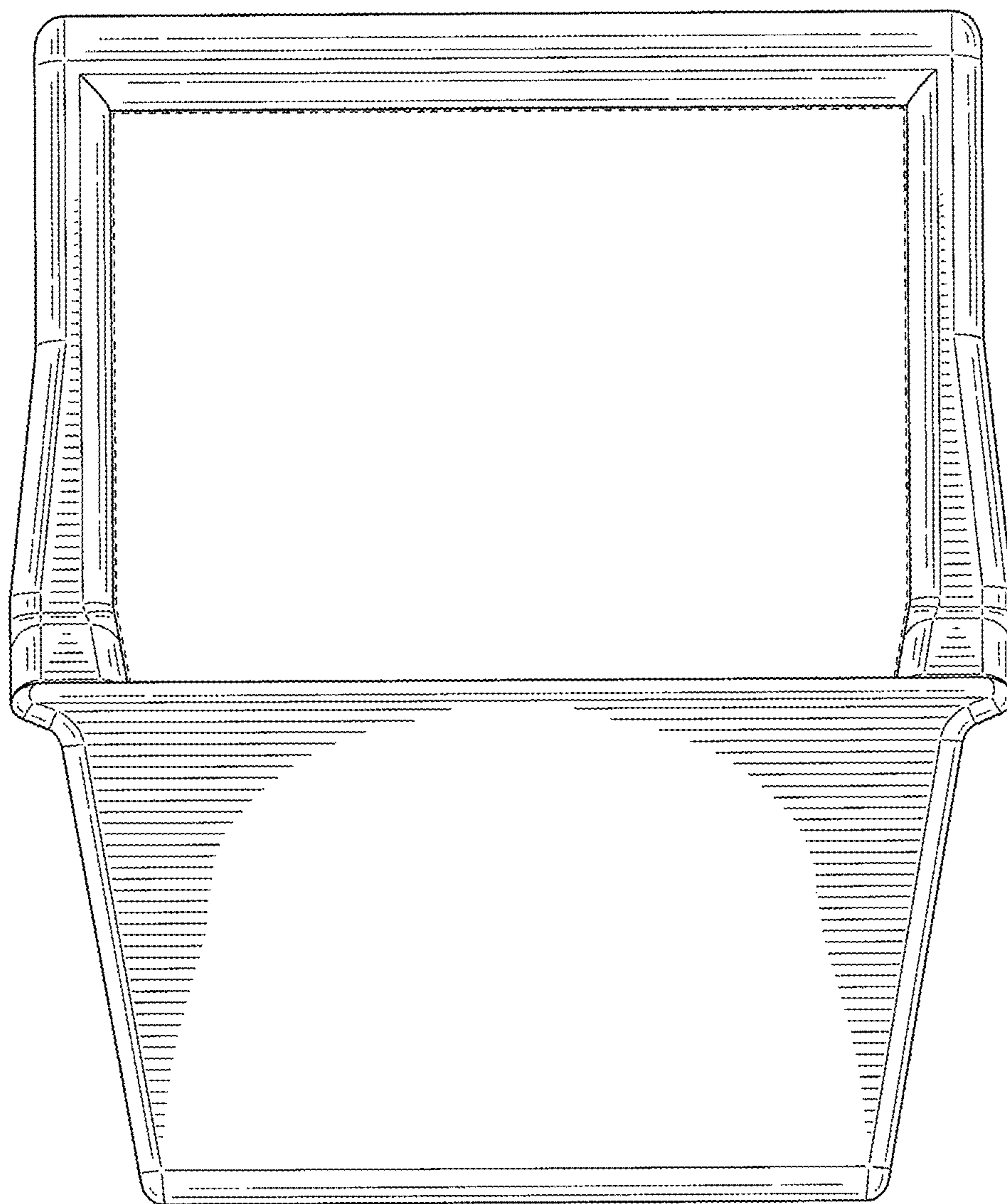


FIG. 15

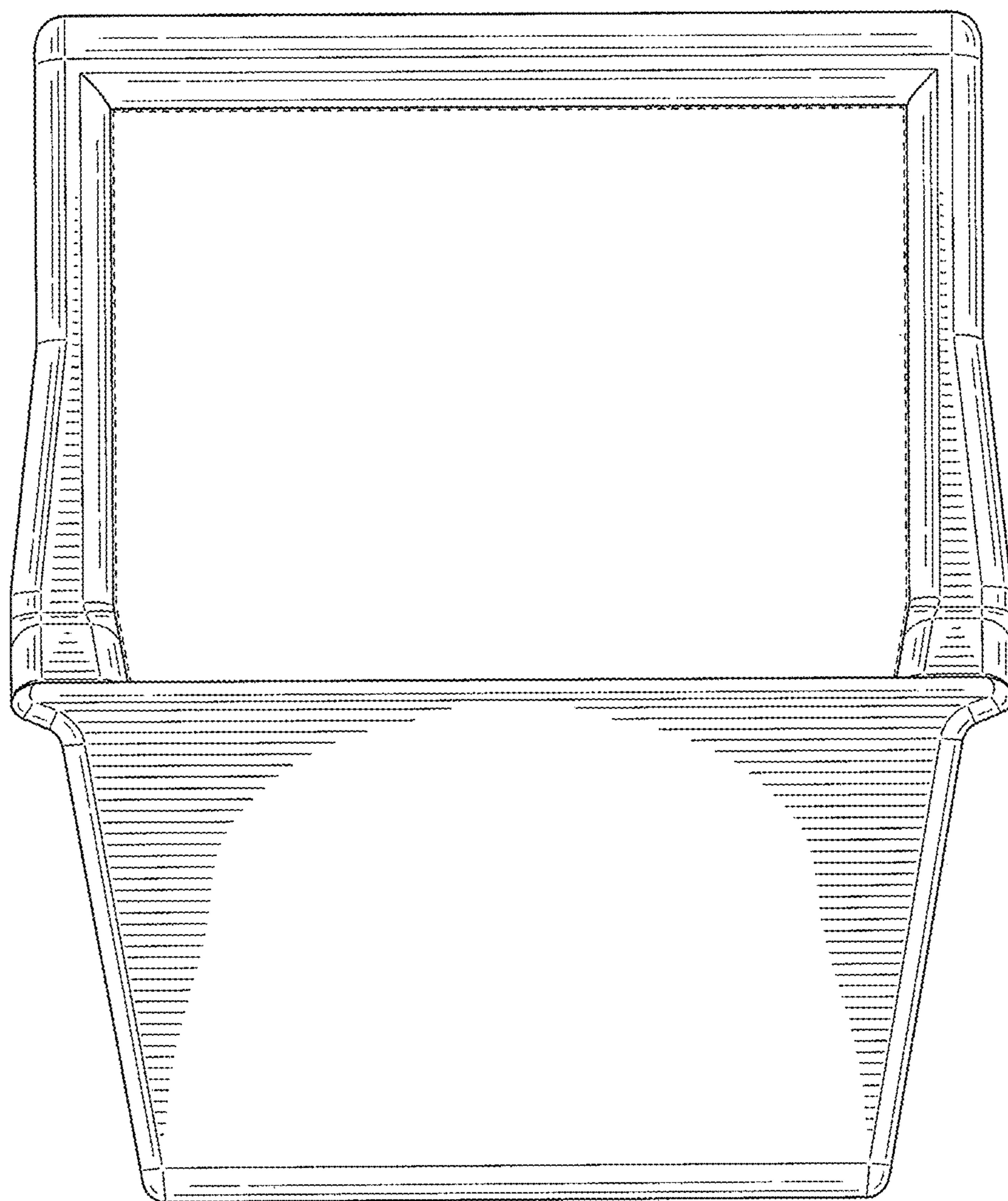


FIG. 16

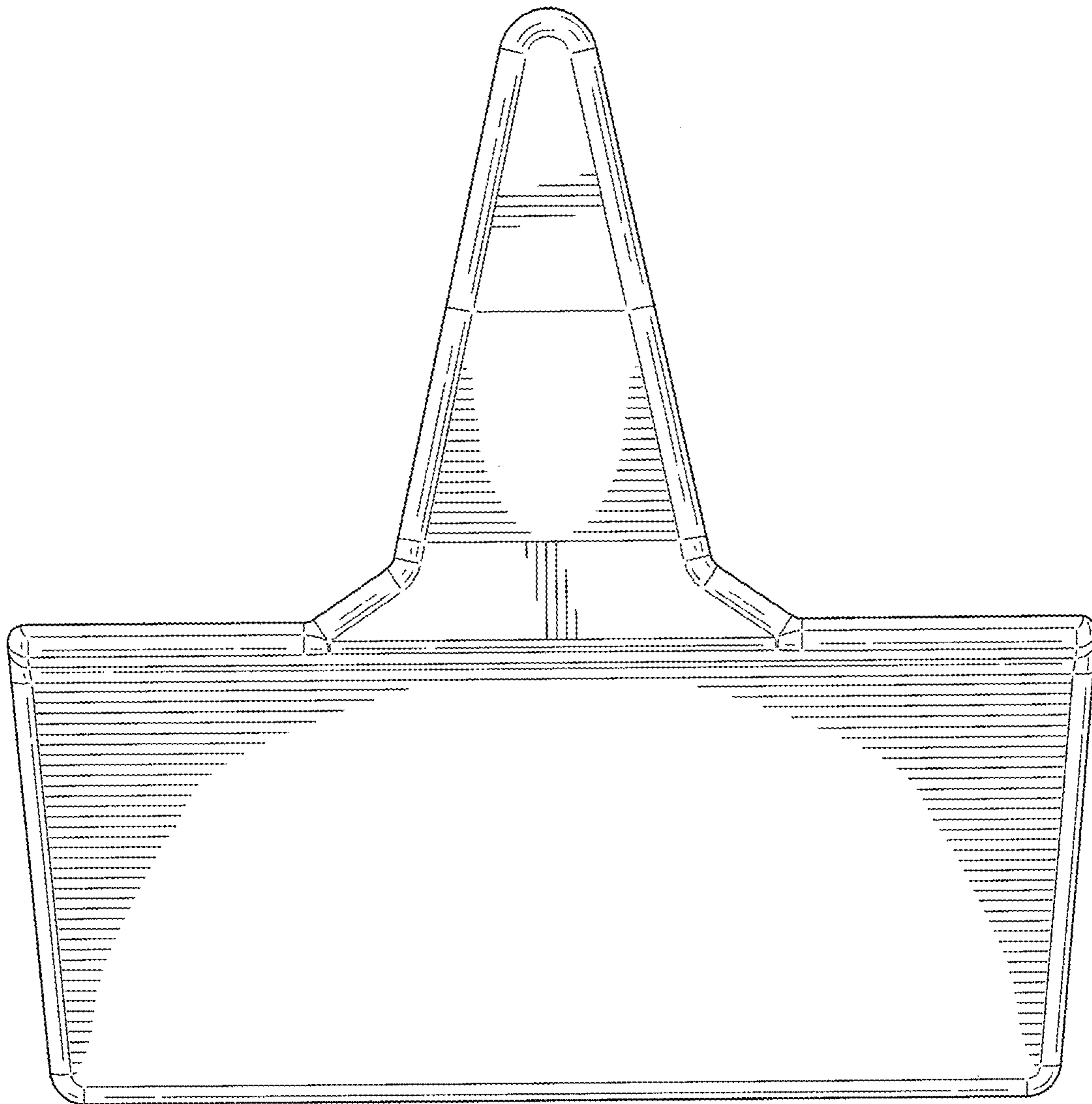


FIG. 17

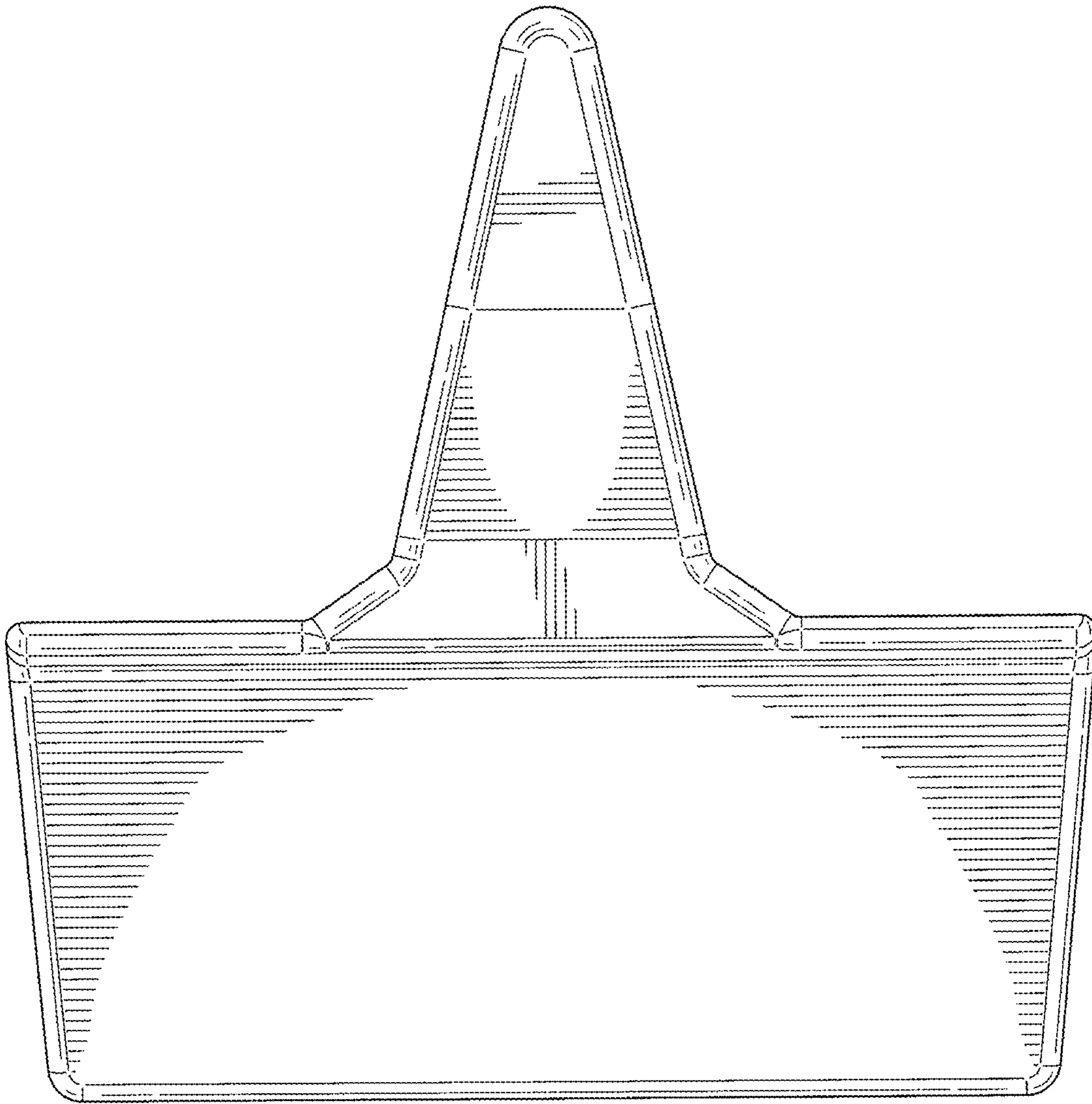


FIG. 18

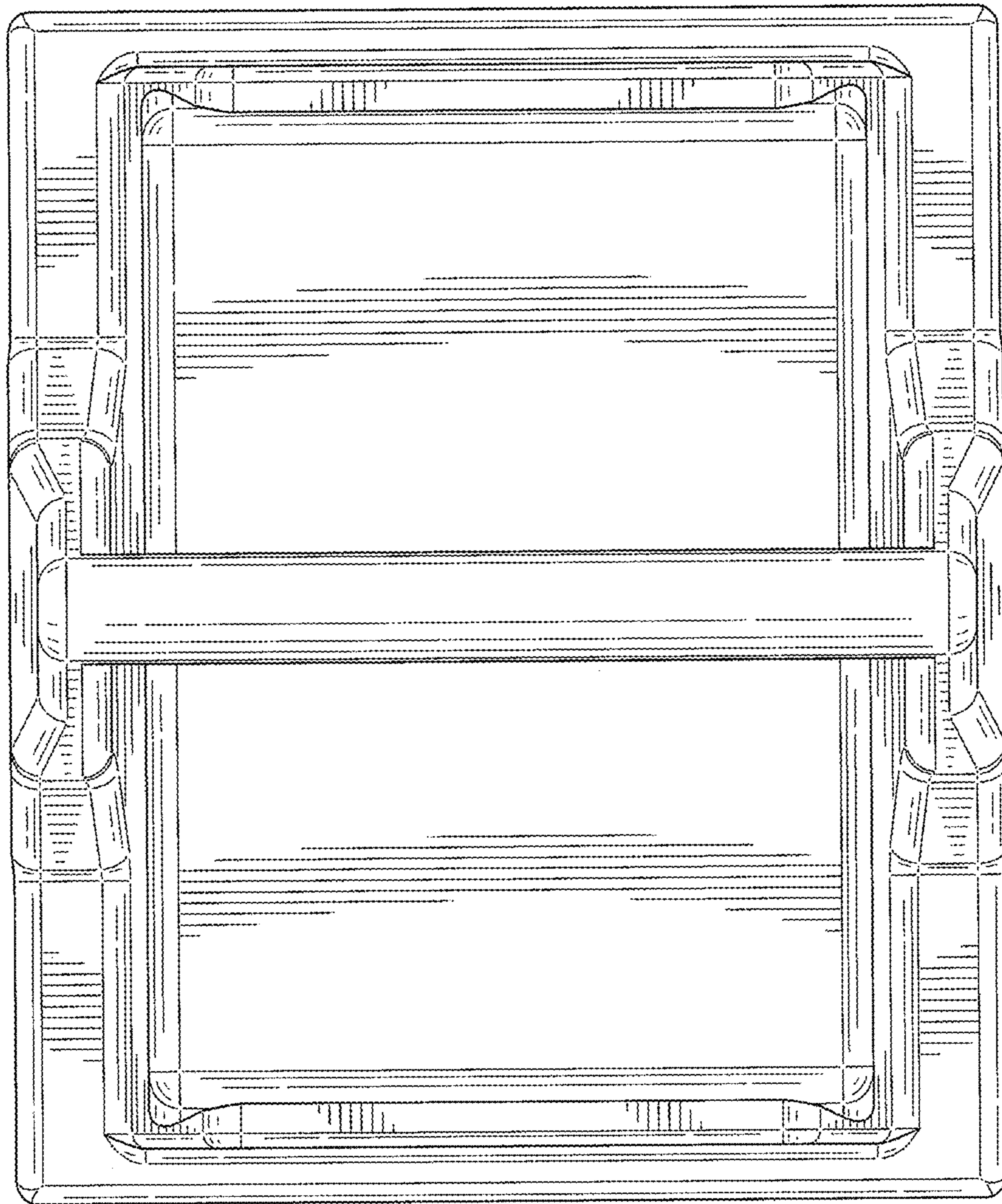


FIG. 19

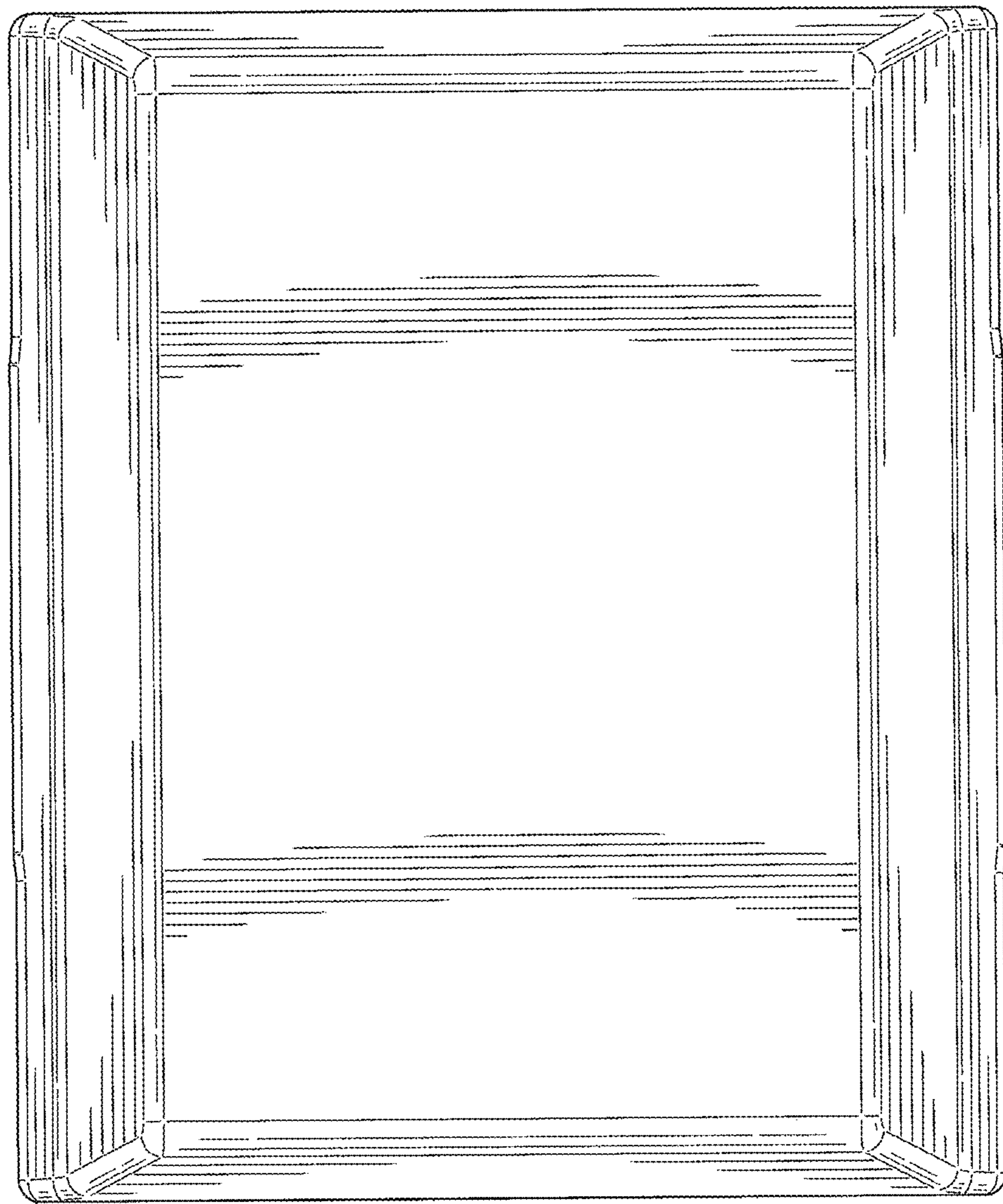


FIG. 20