



US00D895287S

(12) **United States Design Patent** (10) **Patent No.:** **US D895,287 S**
Hyun (45) **Date of Patent:** **** Sep. 8, 2020**

(54) **CASE FOR CHARGING CASE**
(71) Applicant: **SPIGEN KOREA CO., LTD.**, Seoul (KR)
(72) Inventor: **Young Kwang Hyun**, Seoul (KR)
(73) Assignee: **Spigen Korea CO., LTD.**, Seoul (KR)
(**) Term: **15 Years**

D738,110 S 9/2015 Jiang et al.
D740,018 S 10/2015 Zhang et al.
D747,303 S 1/2016 Su et al.
D756,626 S 5/2016 Tollefsbol et al.
D762,631 S 8/2016 Kim
D786,787 S 5/2017 Yang
D791,754 S 7/2017 Armstrong et al.

(Continued)

(21) Appl. No.: **29/721,873**
(22) Filed: **Jan. 23, 2020**

Related U.S. Application Data

(63) Continuation of application No. 29/684,401, filed on Mar. 20, 2019.
(51) **LOC (12) Cl.** **03-01**
(52) **U.S. Cl.**
USPC **D3/302; D13/103**
(58) **Field of Classification Search**
USPC D3/201, 218, 273, 274, 294, 295, 208,
D3/212, 302, 266; D14/217, 221, 223,
D14/496; D13/118, 103
CPC A45C 13/002; A45C 2011/001; H04R
1/1025
See application file for complete search history.

(56) **References Cited**

U.S. PATENT DOCUMENTS

D259,596 S 6/1981 Gray
D452,611 S 1/2002 Redgrave
D475,696 S 6/2003 Hussaini et al.
D513,451 S * 1/2006 Richardson D3/273
D586,557 S 2/2009 Jalet
D604,501 S 11/2009 Lee
D614,048 S 4/2010 Smith
D636,598 S 4/2011 Tseng et al.
D676,654 S 2/2013 Weremchuk et al.
D733,154 S 6/2015 Armstrong et al.

OTHER PUBLICATIONS

Amazon, "Airpods Case, Airpods Accessory Kit . . .", Jun. 1, 2019. (<https://www.amazon.com/Accessories-Silicone-Protective-Shockproof-armor-black/dp/B07WS72KGJ>) (Year: 2020).*

(Continued)

Primary Examiner — April Rivas

(74) *Attorney, Agent, or Firm* — Heedong Chae; Lucem, PC

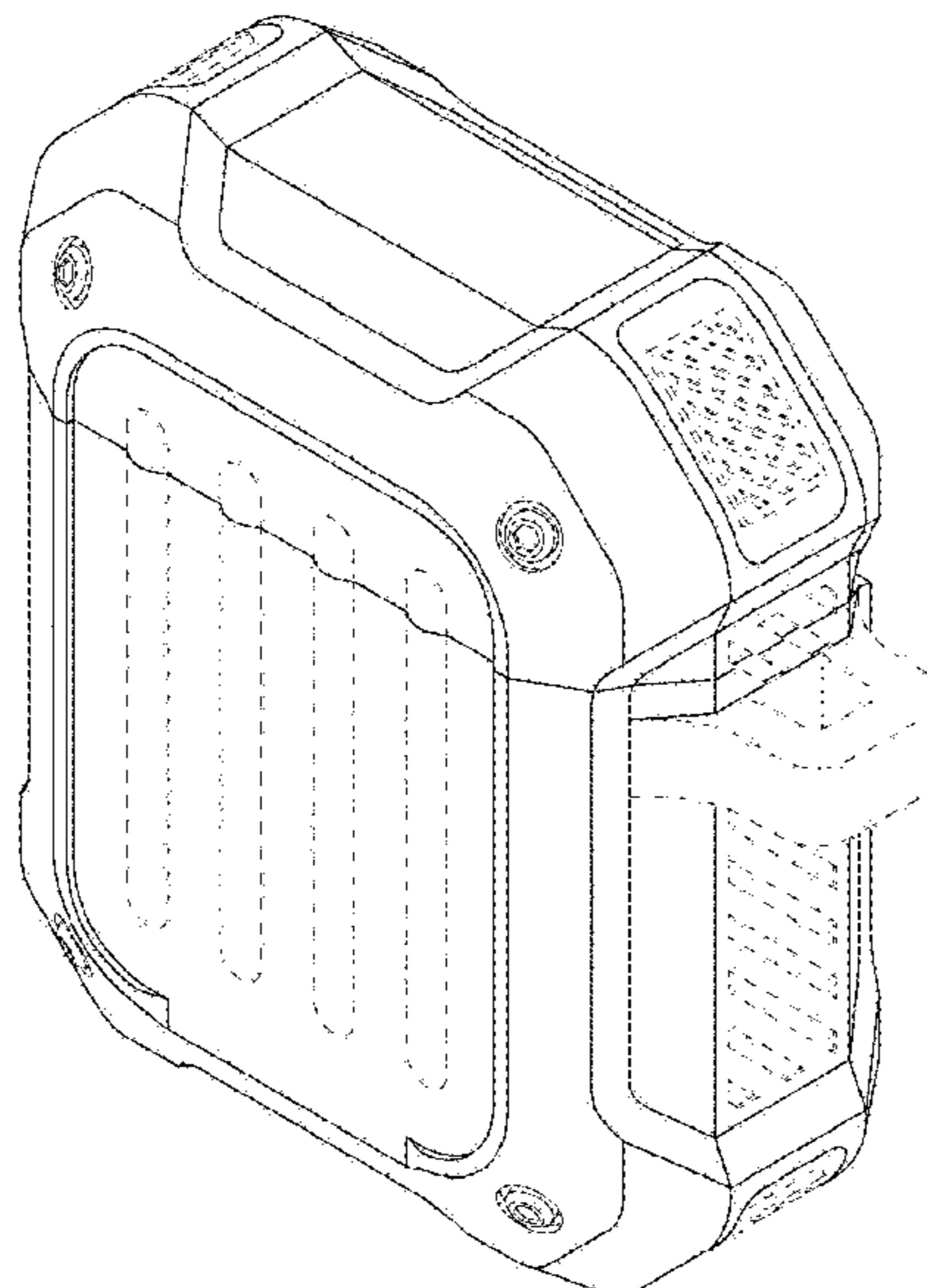
(57) **CLAIM**

The ornamental design for a case for charging case, as shown and described.

DESCRIPTION

FIG. 1 is a front perspective view of a case for charging case showing my new design;
FIG. 2 is a rear perspective view thereof;
FIG. 3 is a front elevational view thereof;
FIG. 4 is a rear elevational view thereof;
FIG. 5 is a left side elevational view thereof;
FIG. 6 is a right side elevational view thereof;
FIG. 7 is a top plan view thereof;
FIG. 8 is a bottom plan view thereof; and,
FIG. 9 is an exploded front perspective view of the case separated from the charging case.
The broken lines throughout the drawing figures depict an environmental charging case, and portions of the case for charging case that form no part of the claimed design.

1 Claim, 9 Drawing Sheets



(56)

References Cited

OTHER PUBLICATIONS

“Spigen Tough Armor [2nd Generation] Designed for Apple Watch Case for 42mm Series 3 / Series 2 / Nike+ Sport Edition—Black”, <https://www.amazon.com/Spigen-Tough-Armor-Generation-Designed/dp/B075FJT3FK>, Earliest review date of Dec. 30, 2017, downloaded on Jan. 15, 2019.

“Spigen Tough Armor [2nd Generation] for Apple Watch Case 38mm with Extreme Heavy Duty Protection and No Built in Screen Protector for Apple Watch Series 3 / Series 2 / Nike+ Sport Edition—Matte Black”, <https://www.amazon.com/Spigen-Generation-Extreme-Protection-Protector/dp/B075FL41B5>, Earliest review date of Jan. 6, 2017, downloaded on Jan. 15, 2019.

“Spigen Tough Armor Galaxy S9 Plus Case with Reinforced Kickstand and Heavy Duty Protection and Air Cushion Technology for Samsung Galaxy S9 Plus (2018)—Lilac Purple”, <http://www.amazon.com/dp/B078BBPY98>, Earliest review date of Mar. 1, 2018, downloaded on Jan. 15, 2019.

“Spigen Apple Watch 38mm Slim Armor Case—Space Gray”, <https://www.amazon.com/Spigen-Apple-Watch-38mm-Armor/dp/B076CDNZ4V>, Earliest review date of Mar. 9, 2018, downloaded on Jan. 16, 2019.

Unlockboot, “8 Best AirPods Cases Reviewed —Protective AirPods Covers”, <https://www.unlockboot.com/best-airpods-cases/>, Published on Aug. 22, 2018, Downloaded on Feb. 24, 2020.

Allison Bowsher, “These AirPod Cases Survive Big Drops—Even in the Water”, <https://spy.com/articles/gadgets/mobile/best-airpods-cases-waterproof-amazon-148420/>, Published on Jan. 2, 2019, Downloaded on Feb. 24, 2020.

* cited by examiner

FIG. 1

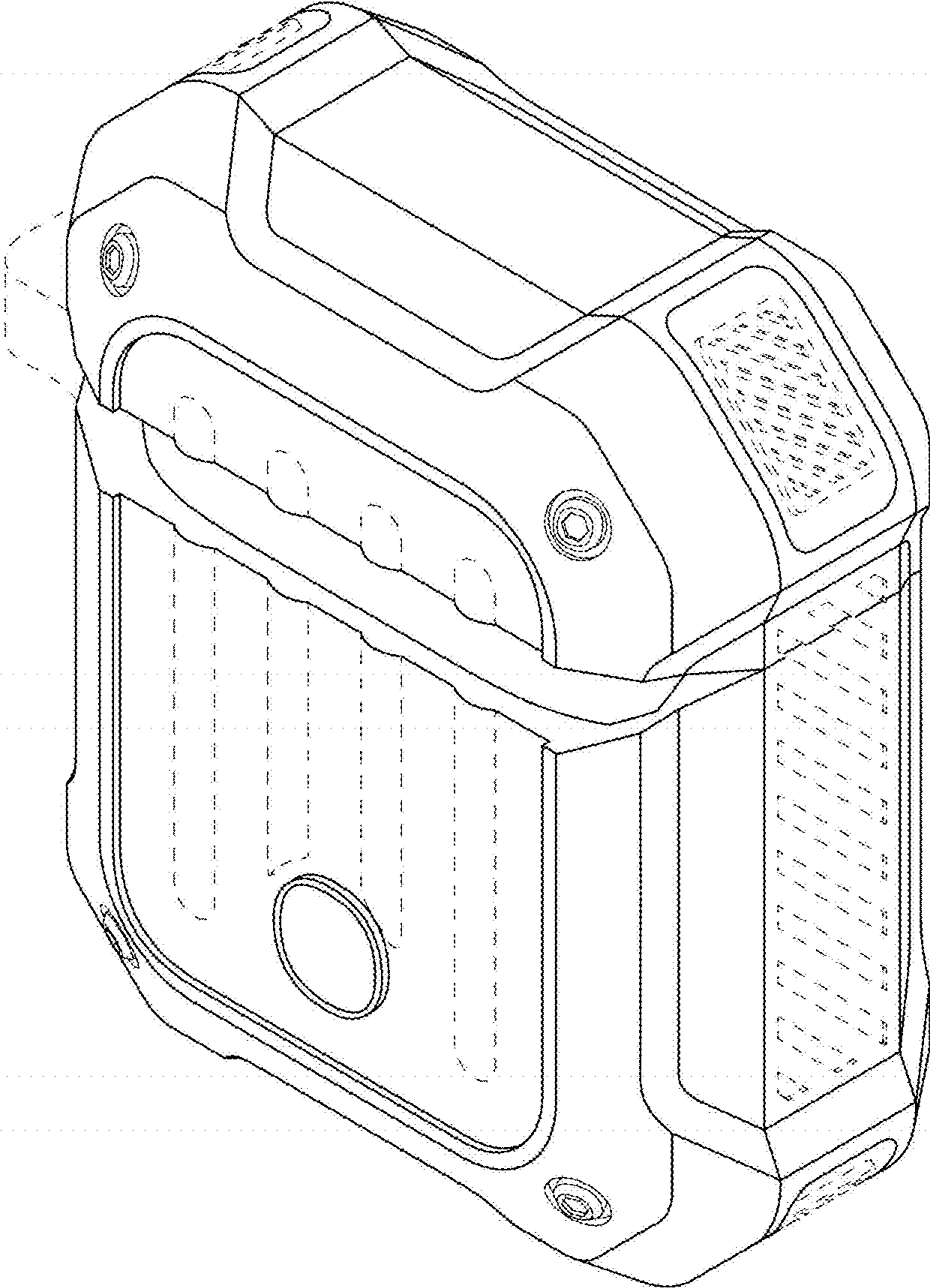


FIG. 2

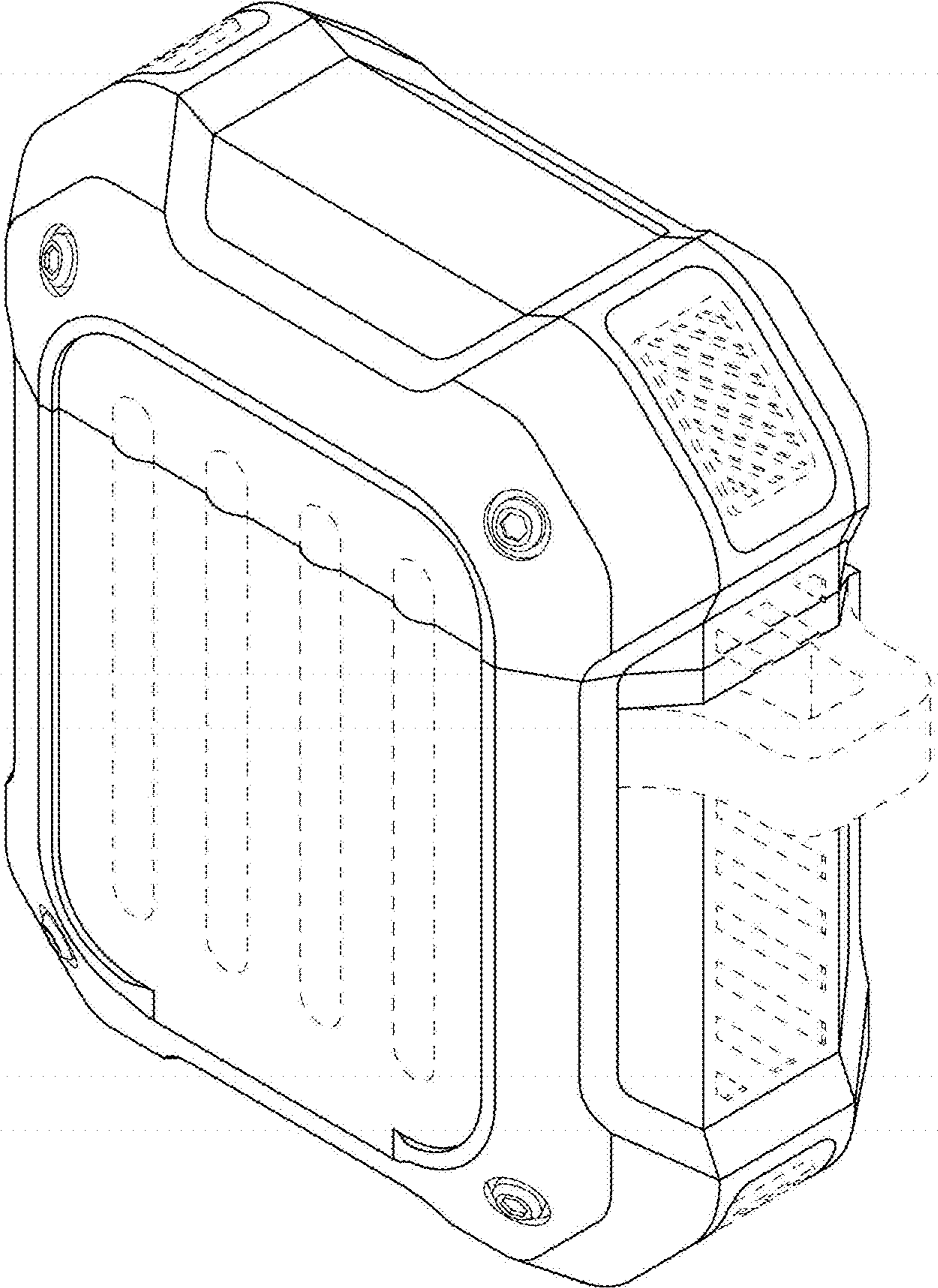


FIG. 3

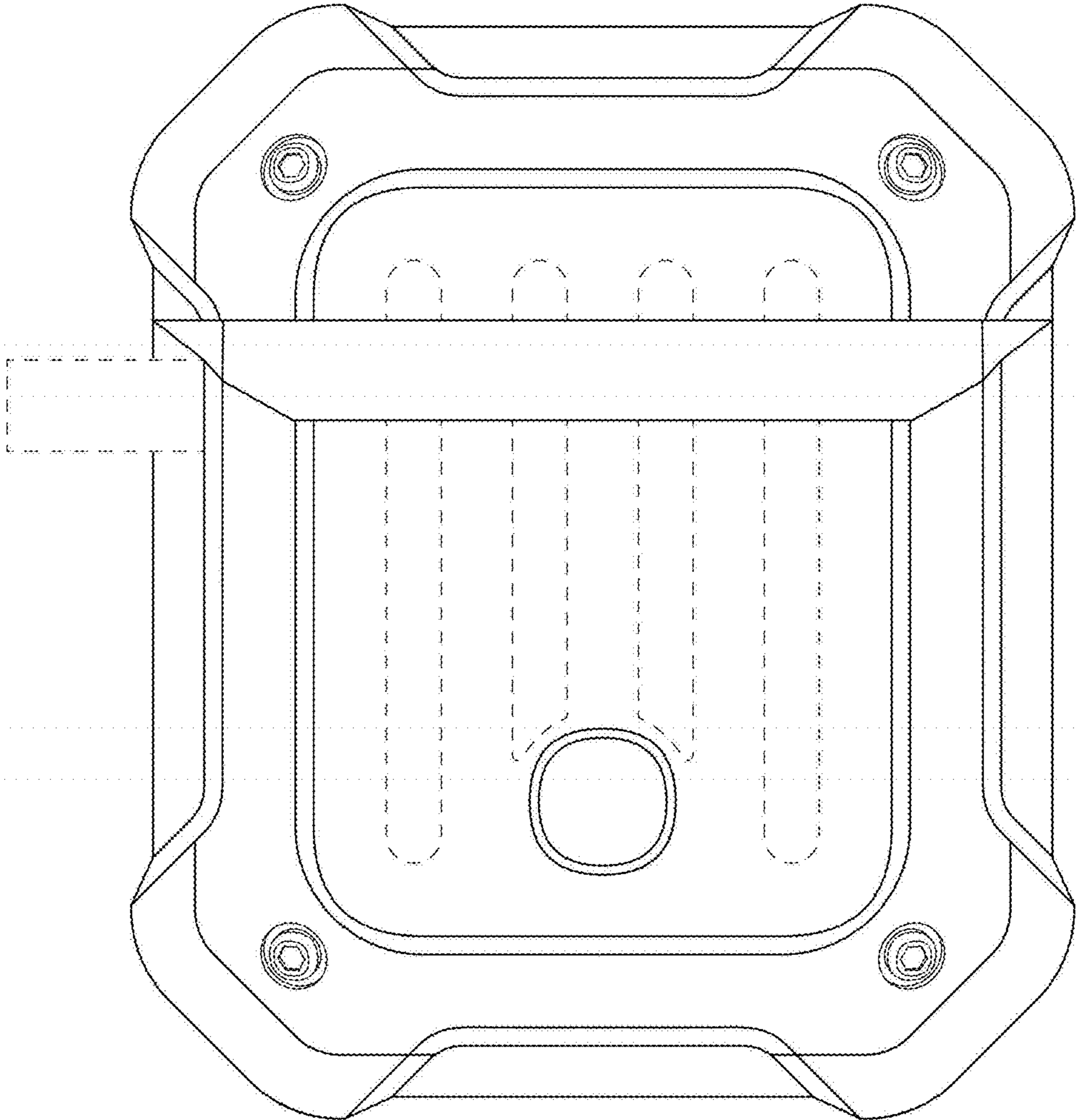


FIG. 4

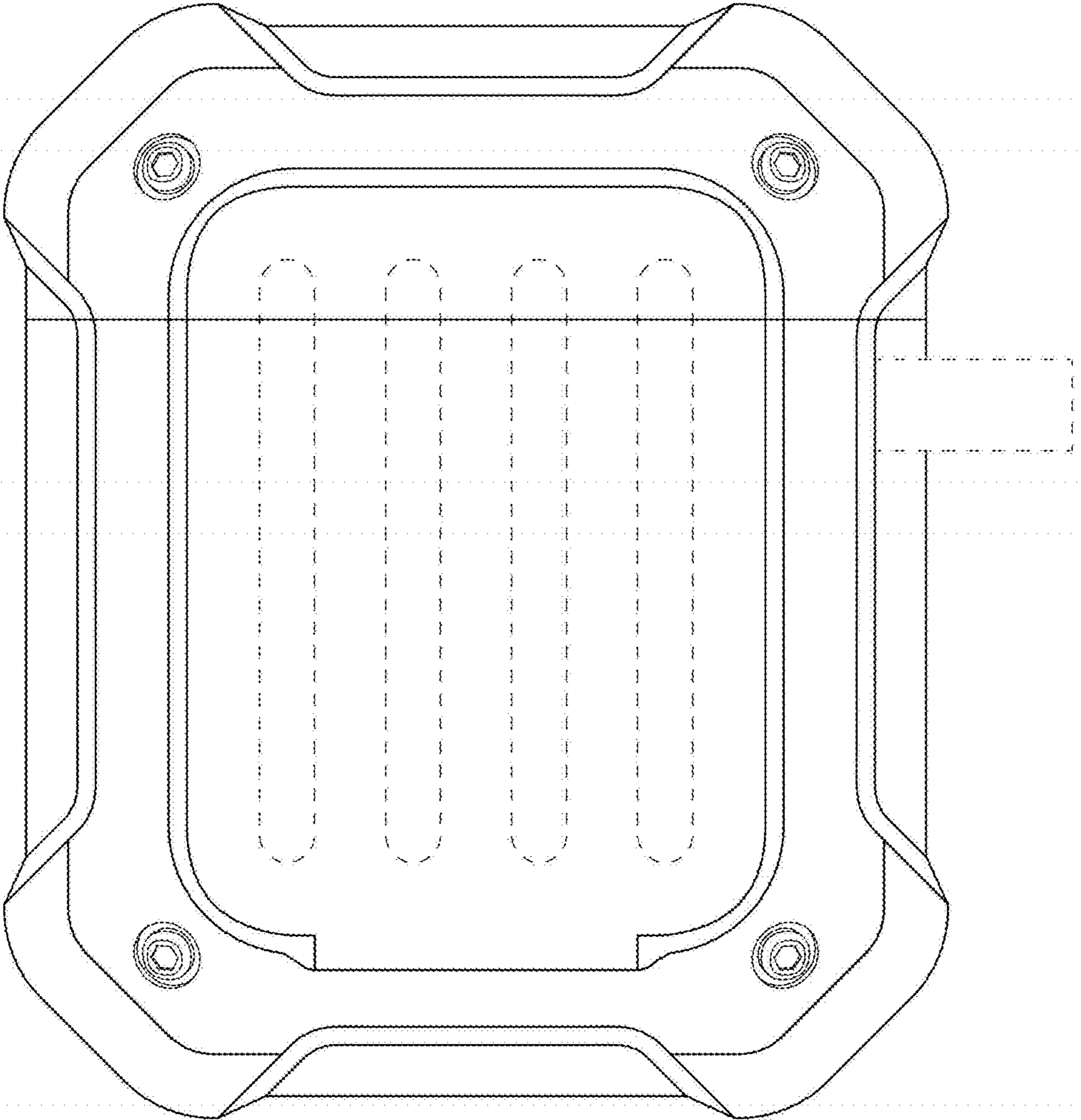


FIG. 5

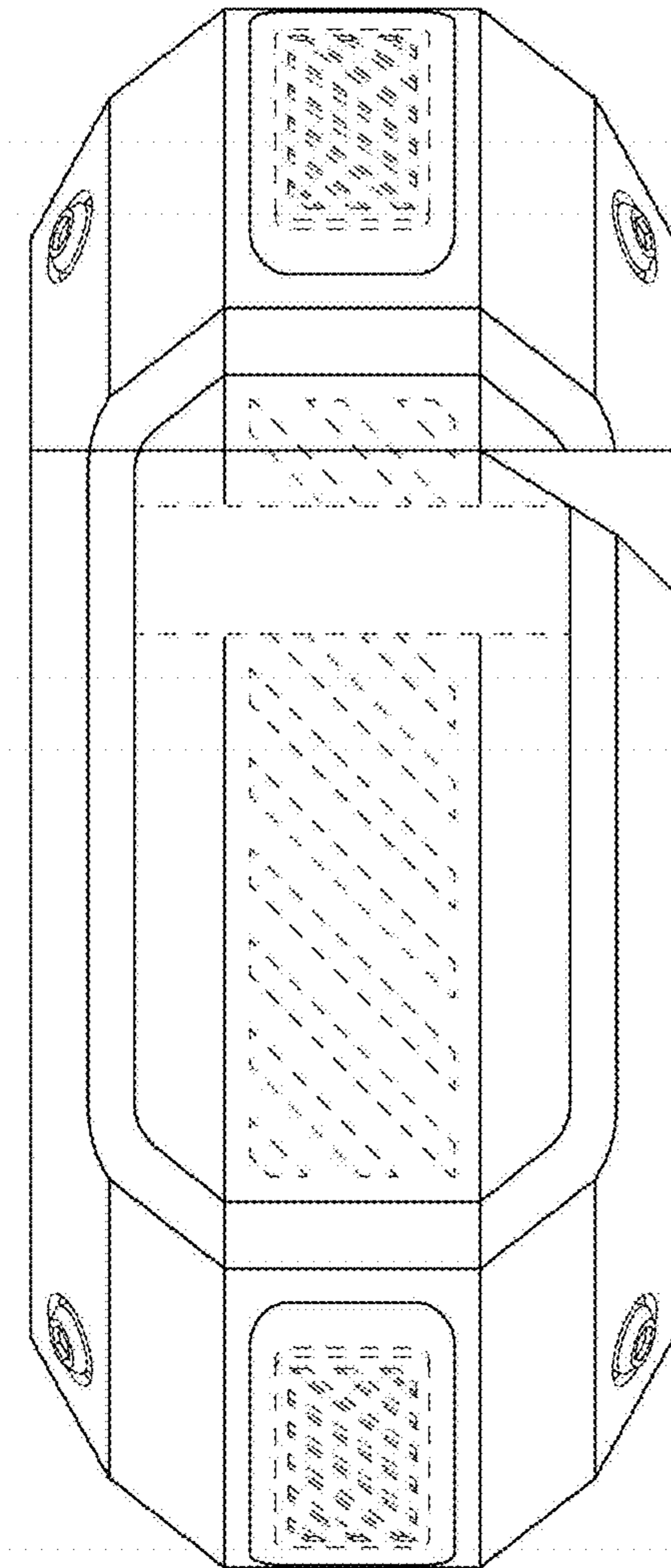


FIG. 6

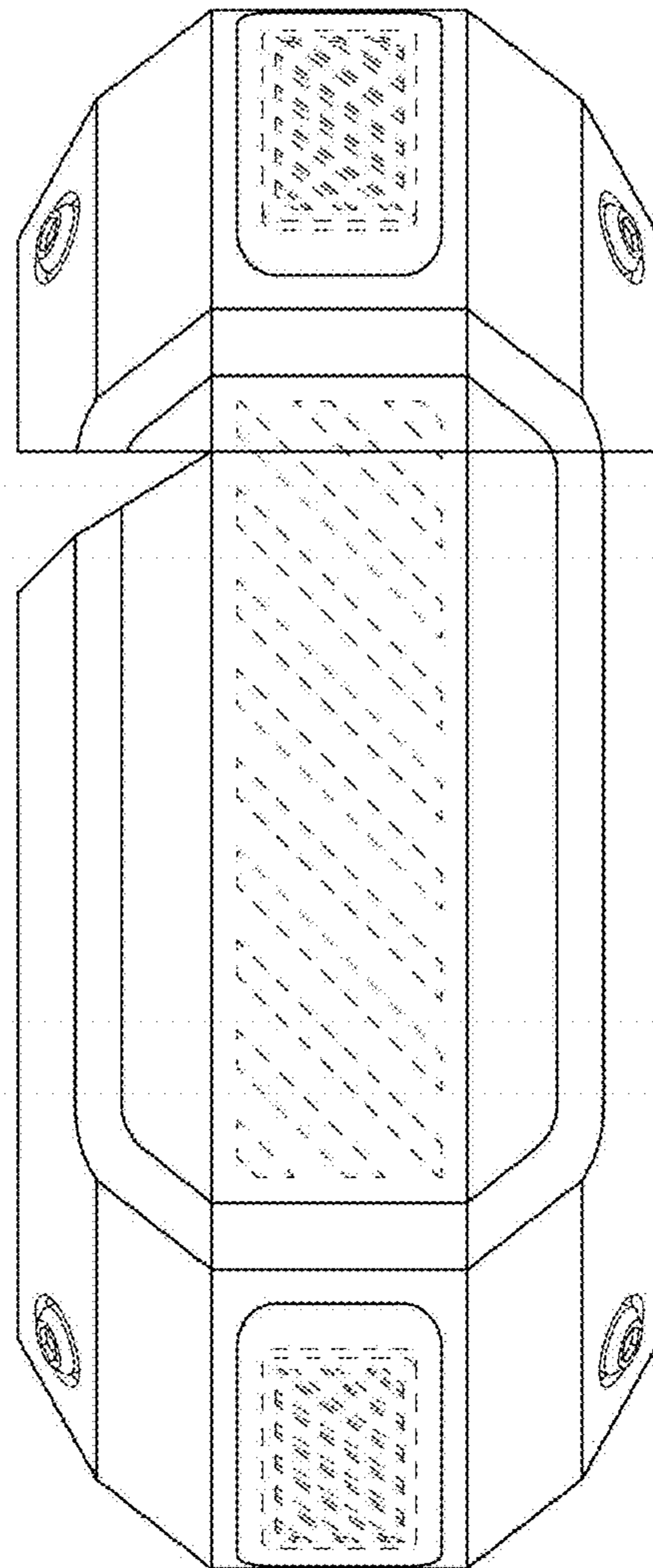


FIG. 7

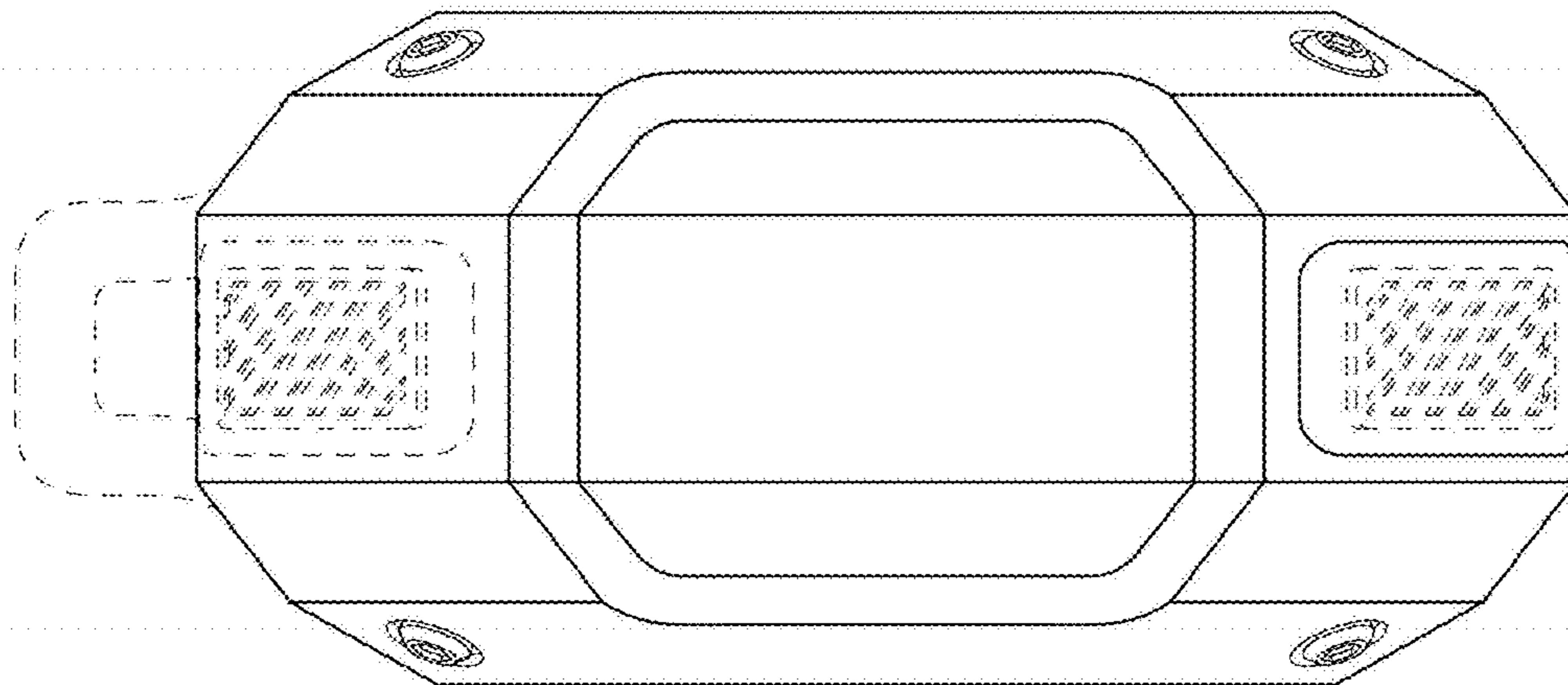


FIG. 8

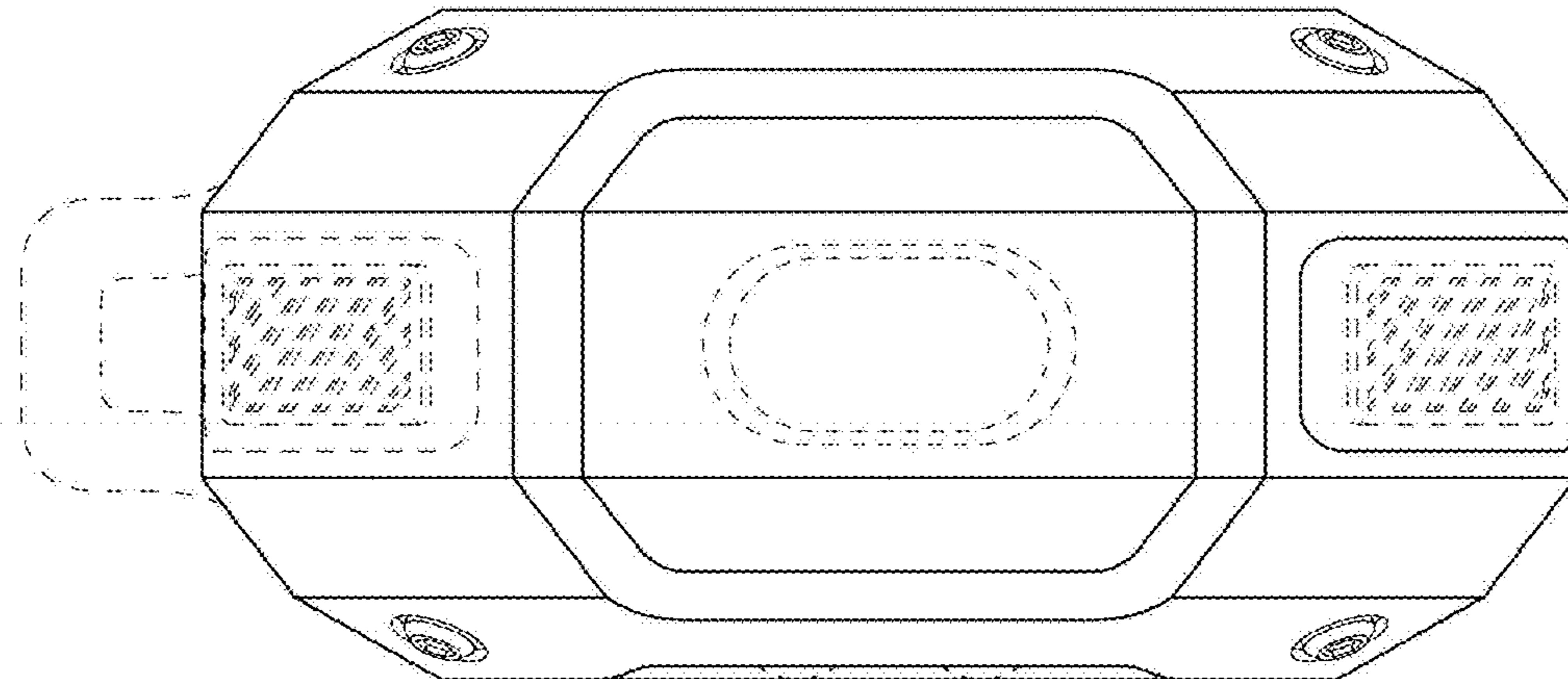


FIG. 9

