

US00D895284S

(12) **United States Design Patent**
Sun

(10) **Patent No.:** **US D895,284 S**

(45) **Date of Patent:** **** Sep. 8, 2020**

(54) **MULTI-FUNCTIONAL GARMENT BAG**

2008/0283350 A1* 11/2008 Vorderkuntz A45C 13/03
190/115

(71) Applicant: **Xiaojun Sun**, Chongqing (CN)

* cited by examiner

(72) Inventor: **Xiaojun Sun**, Chongqing (CN)

Primary Examiner — Holly E Thurman

(**) Term: **15 Years**

(74) *Attorney, Agent, or Firm* — ZANIP

(21) Appl. No.: **29/709,901**

(57) **CLAIM**

(22) Filed: **Oct. 18, 2019**

The ornamental design for a multi-functional garment bag, as shown and described.

(51) **LOC (12) Cl.** **03-01**

(52) **U.S. Cl.**
USPC **D3/287**

(58) **Field of Classification Search**

USPC D3/273, 274, 276, 278, 281, 283, 284,
D3/285, 286, 287, 288, 289, 290, 291,
D3/293, 294, 295, 299, 301

CPC A45C 13/03

See application file for complete search history.

DESCRIPTION

(56) **References Cited**

U.S. PATENT DOCUMENTS

4,655,343	A *	4/1987	Lane	A45C 3/004 190/111
7,416,066	B2 *	8/2008	Chernoff	A45C 3/004 190/108
D587,012	S *	2/2009	Webb	D3/299
D687,633	S	8/2013	Deutschendorf		
D745,778	S *	12/2015	Shabou	D3/229
D764,798	S *	8/2016	Manlove	D3/274
2006/0086628	A1 *	4/2006	Deutschendorf	A45C 3/004 206/287.1
2006/0266603	A1 *	11/2006	Godshaw	A45C 3/004 190/108

FIG. 1 is a front and top perspective view of a multi-functional garment bag, showing my new design; FIG. 2 is a front elevational view thereof; FIG. 3 is a rear elevational view thereof; FIG. 4 is a left side elevational view thereof; FIG. 5 is a right side elevational view thereof; FIG. 6 is a top plan view thereof; FIG. 7 is a bottom plan view thereof; FIG. 8 is a front and top perspective view thereof, showing an open side-bag; FIG. 9 is a front perspective view thereof, showing a half-unfolded status; FIG. 10 is a front perspective view thereof, showing an unfolded status; and, FIG. 11 is a front perspective view thereof, showing a folded status.

The broken lines shown in the figures depict environmental structure that form no part of the claimed design.

1 Claim, 11 Drawing Sheets

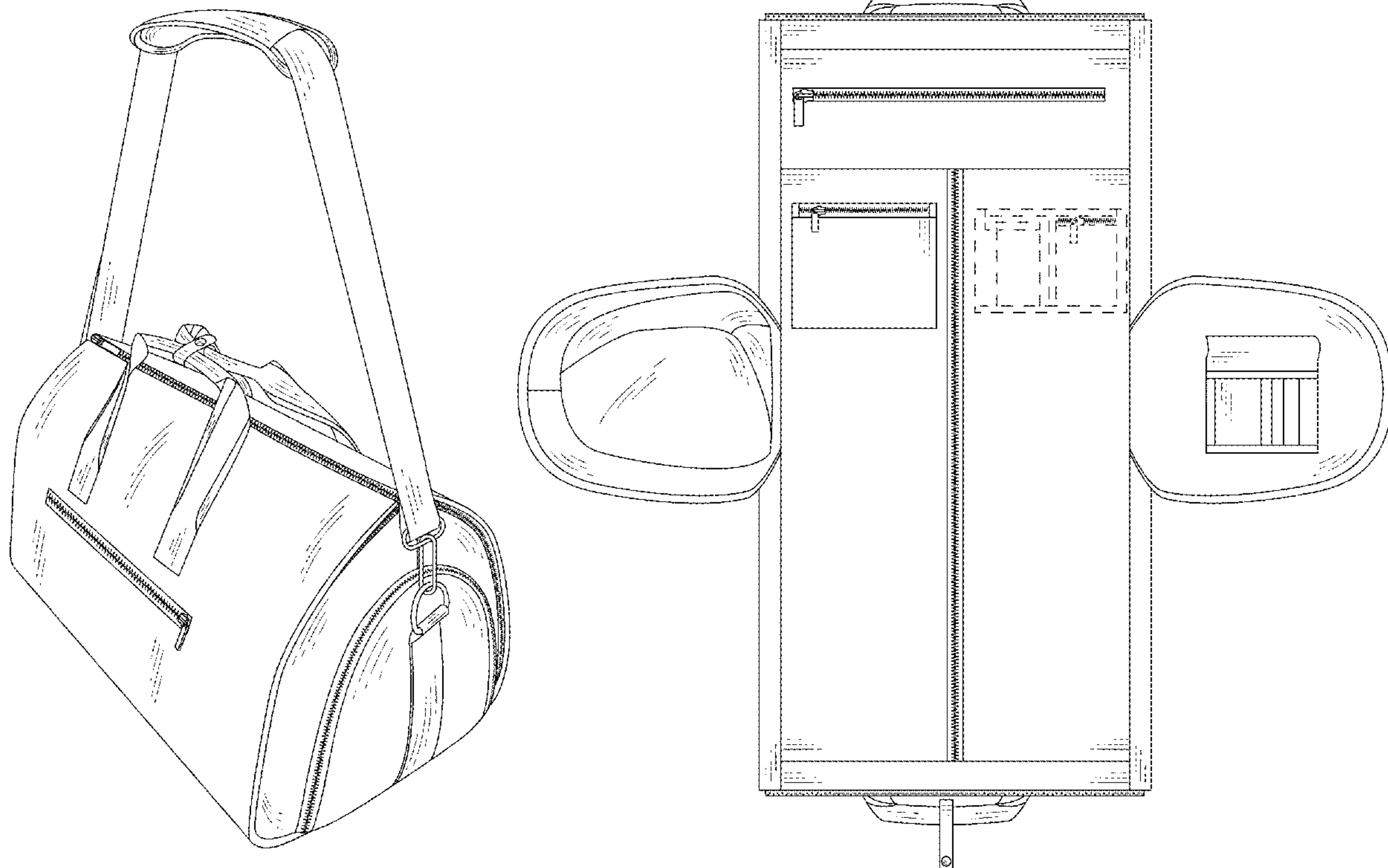




FIG. 1

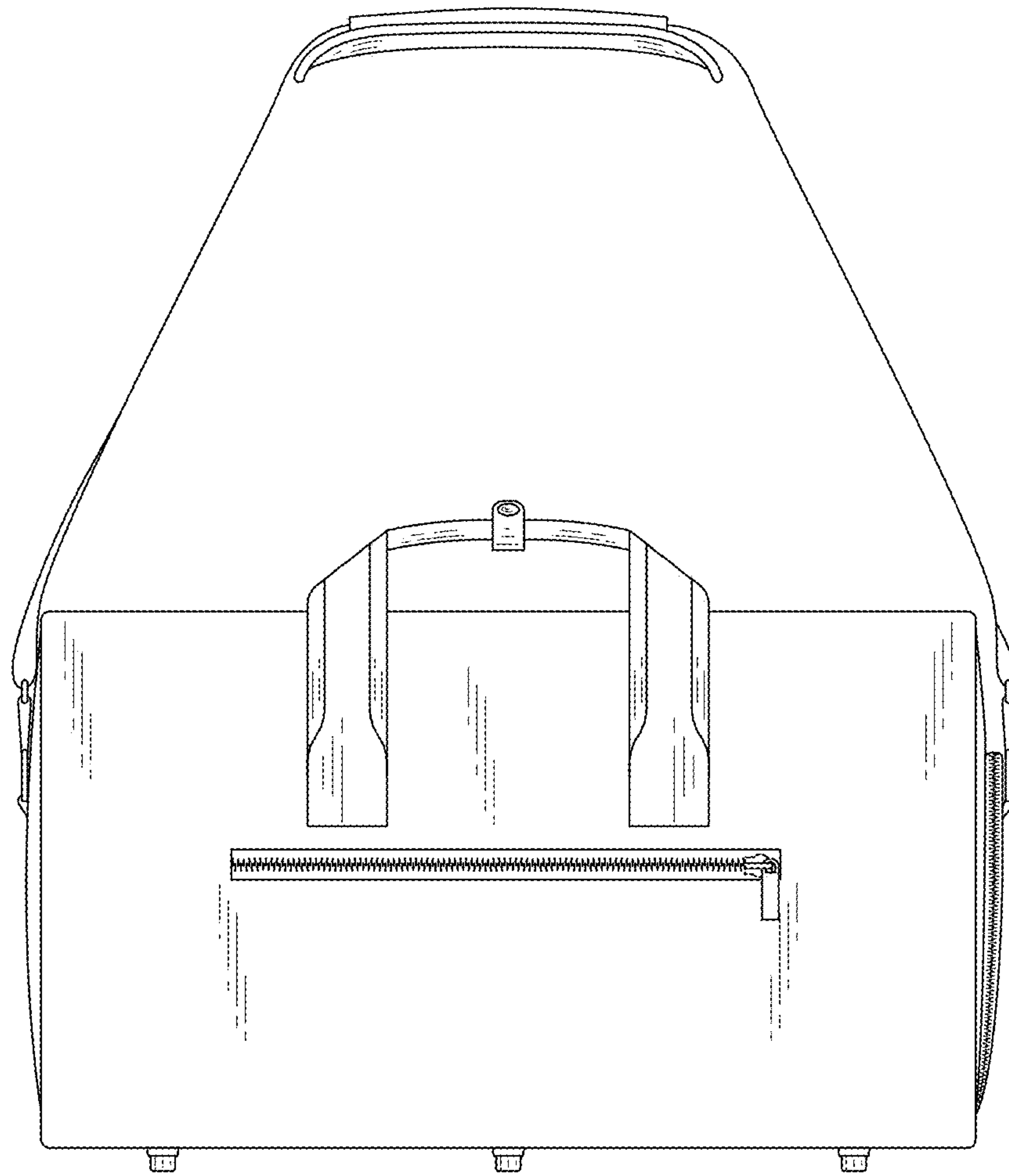


FIG.2

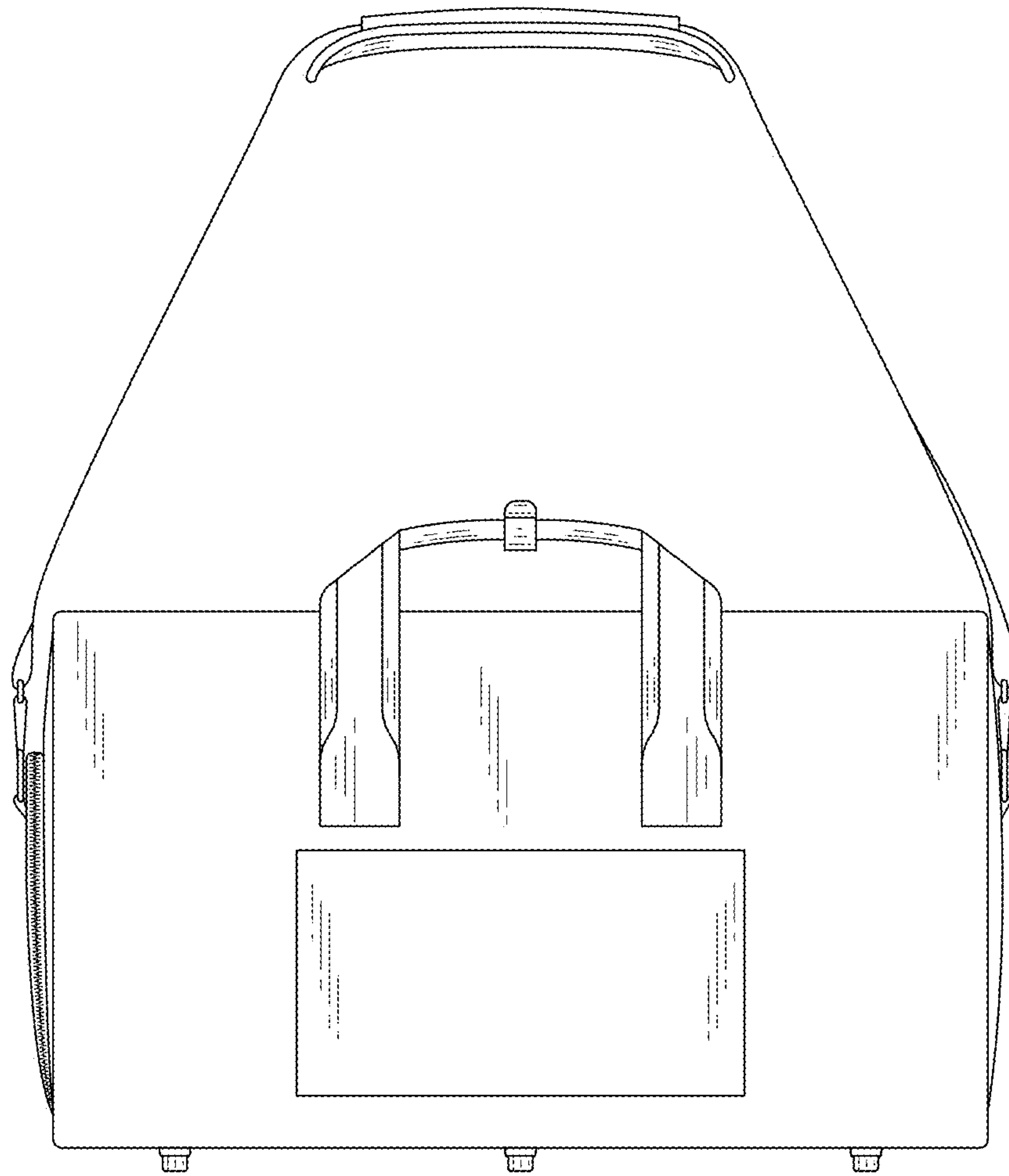


FIG.3

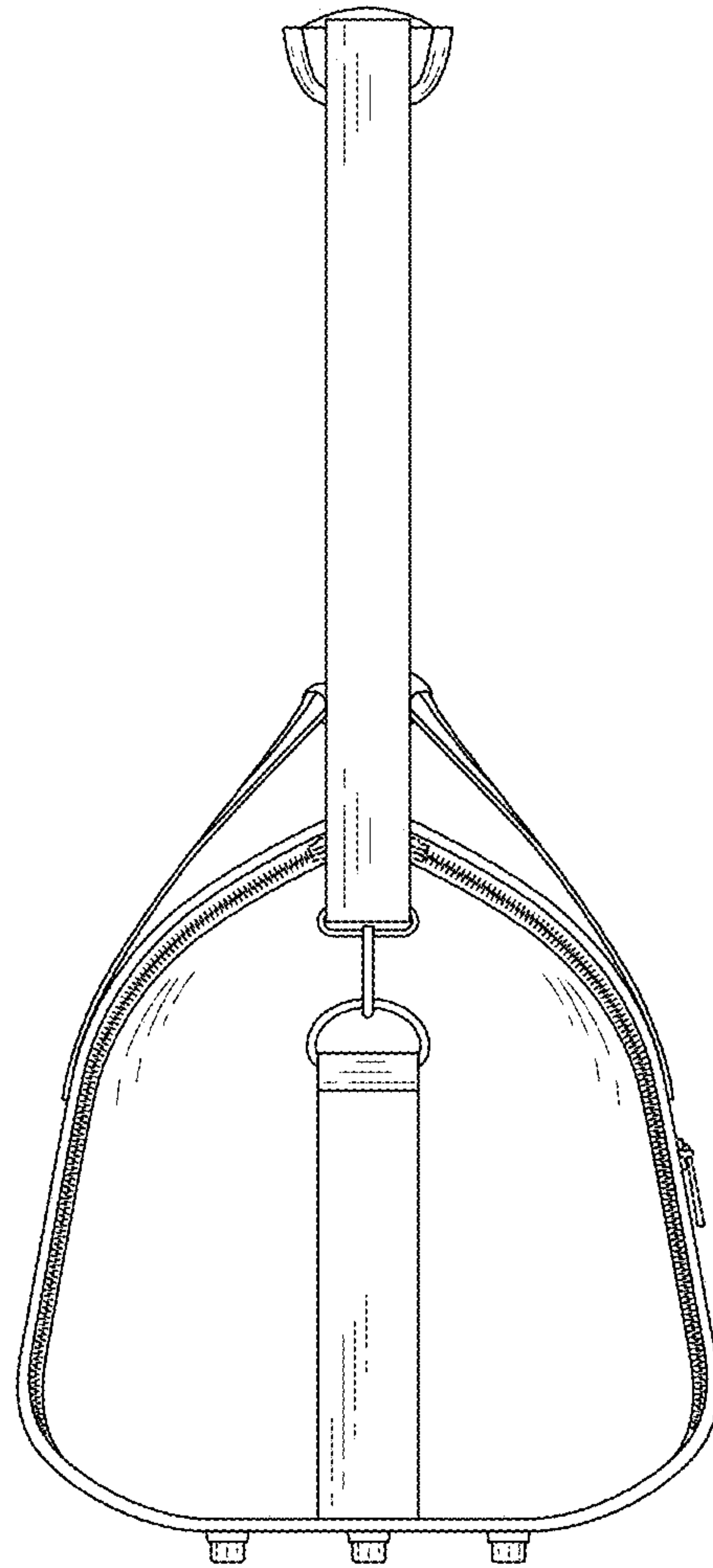


FIG. 4

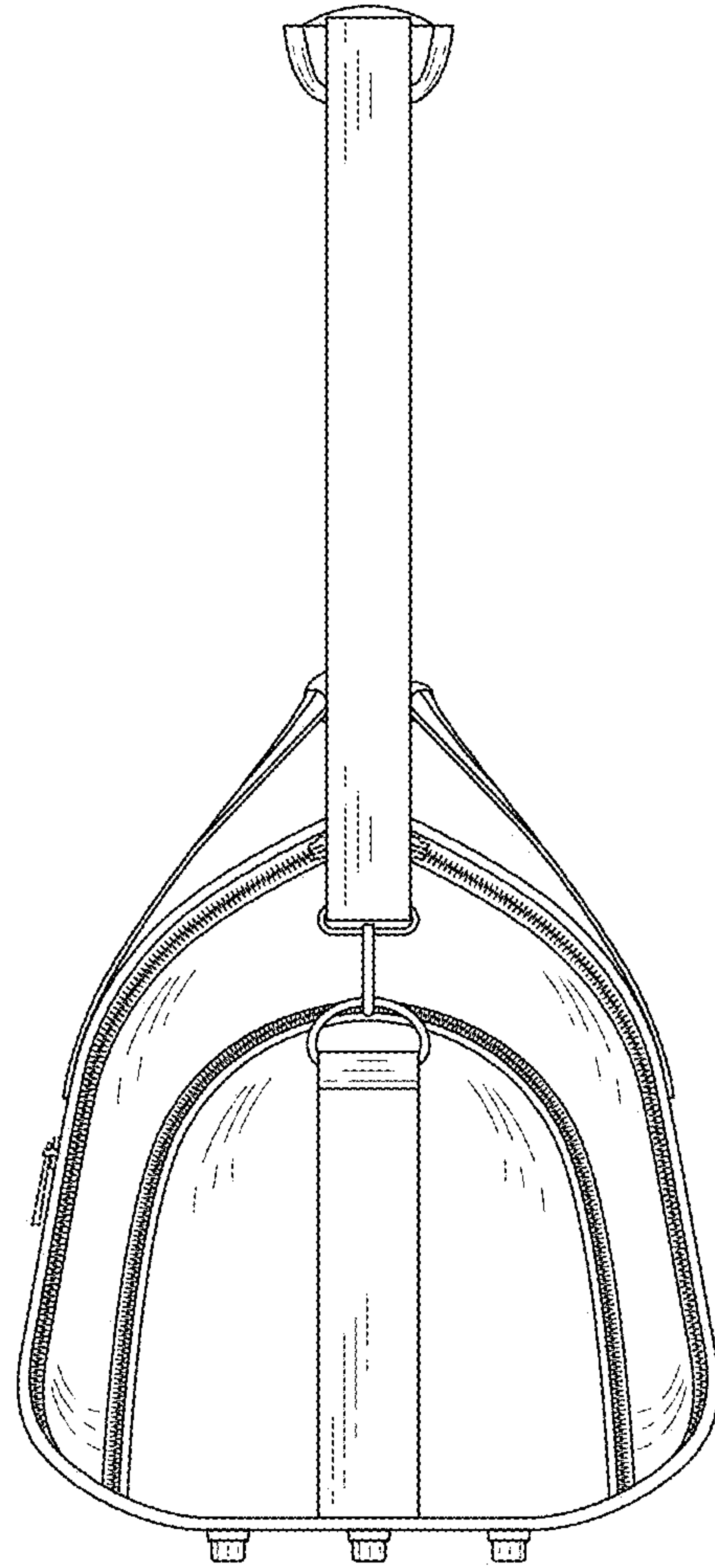


FIG.5

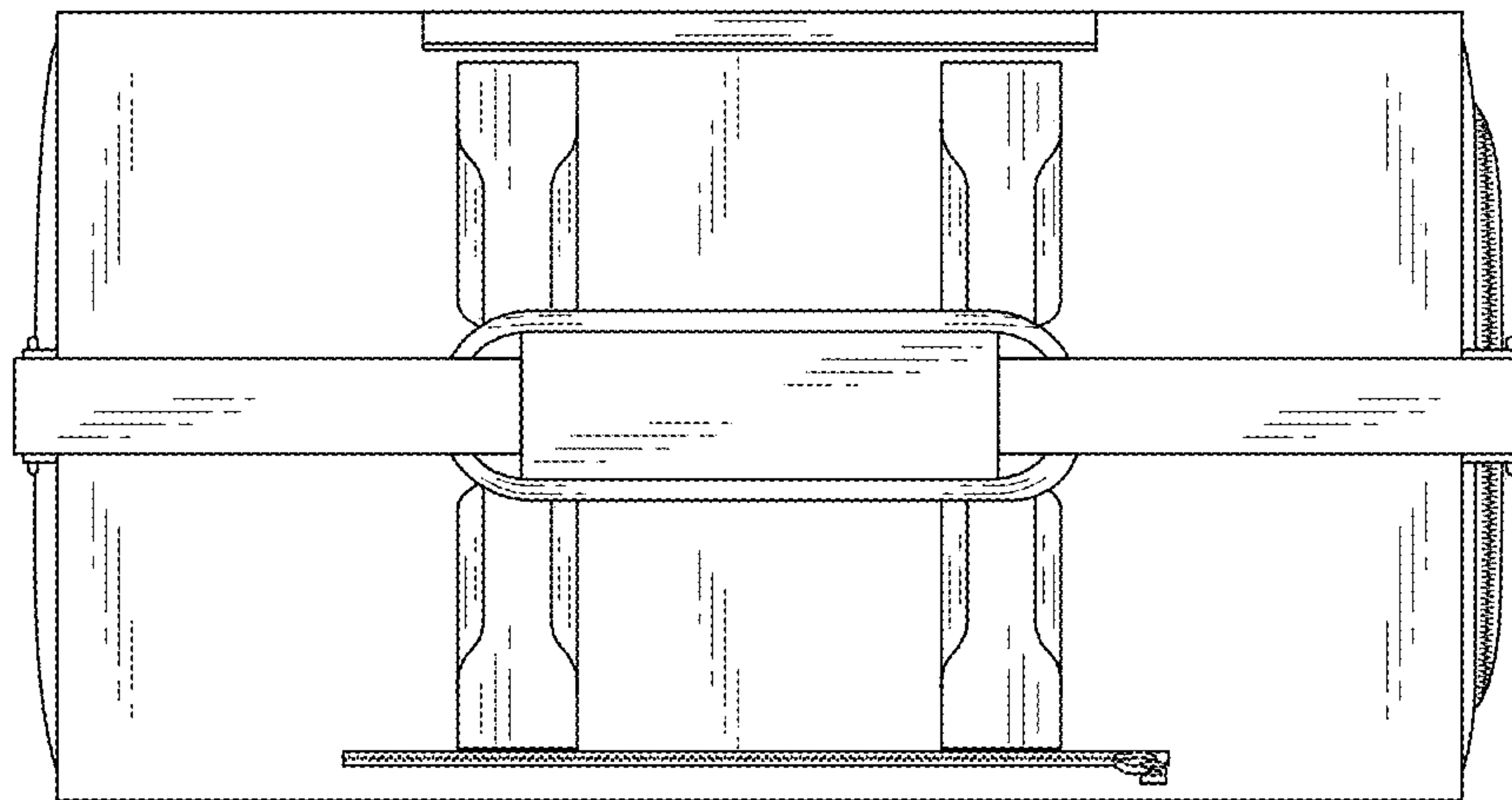


FIG.6

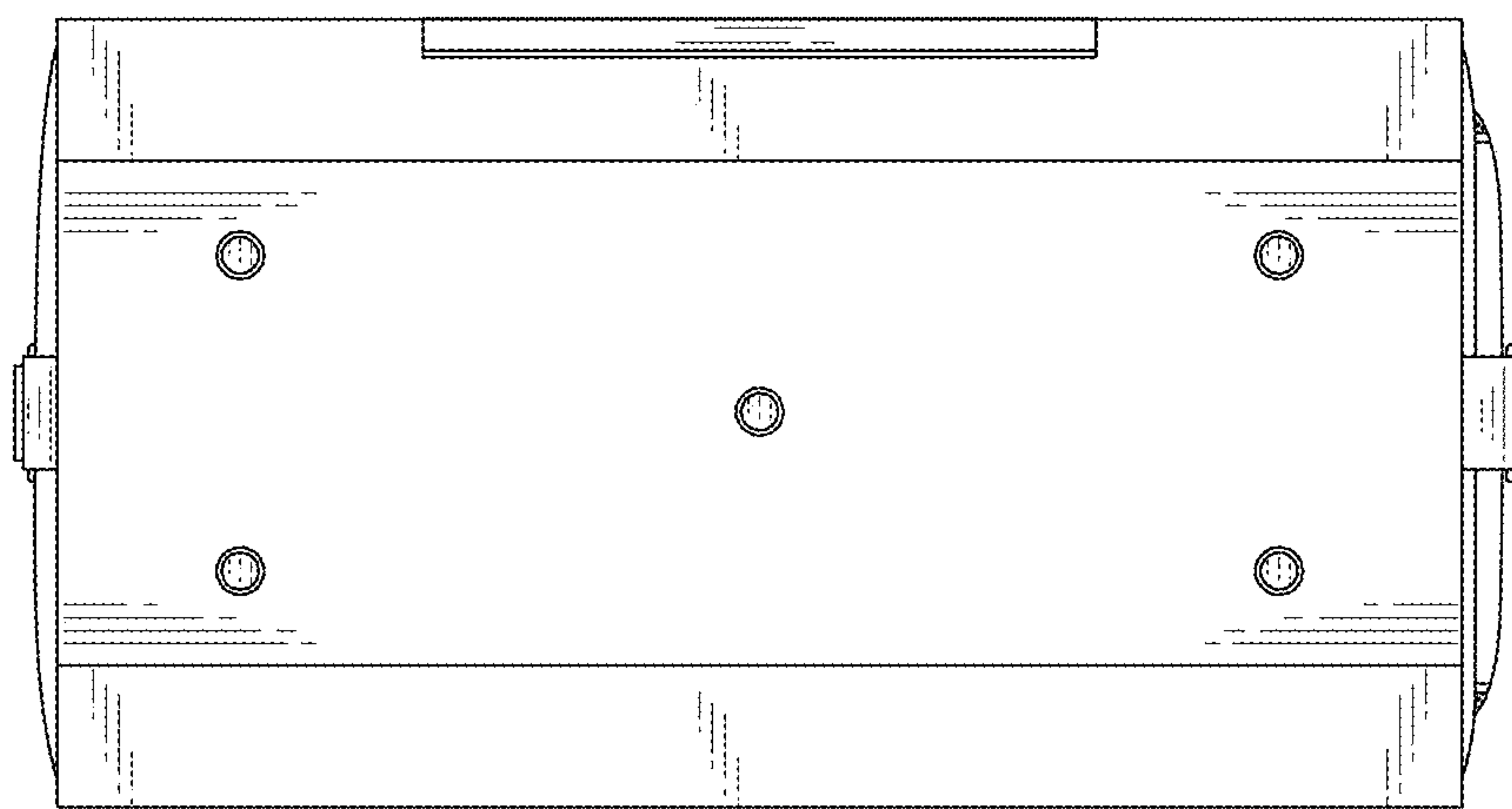


FIG.7

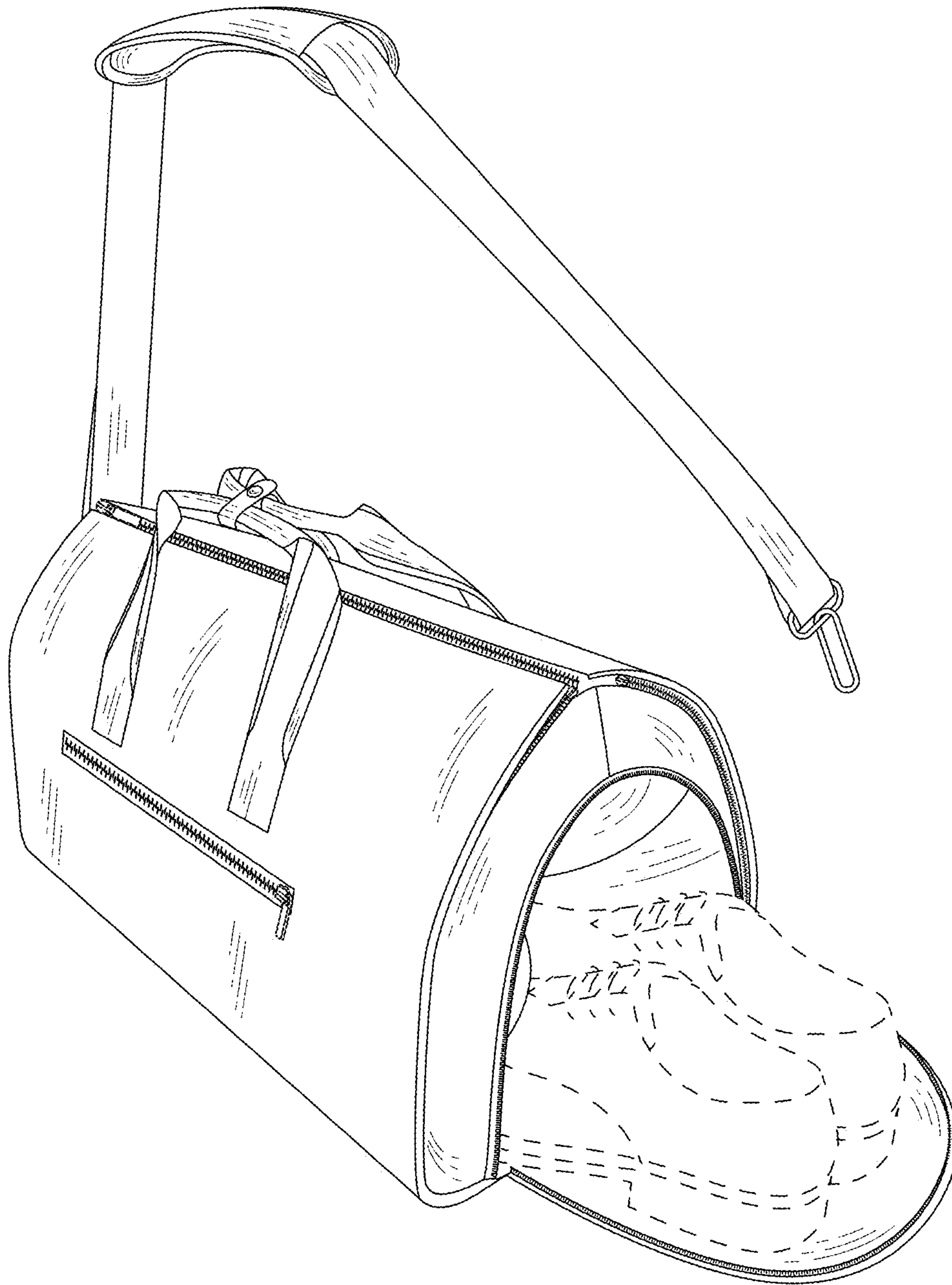


FIG.8

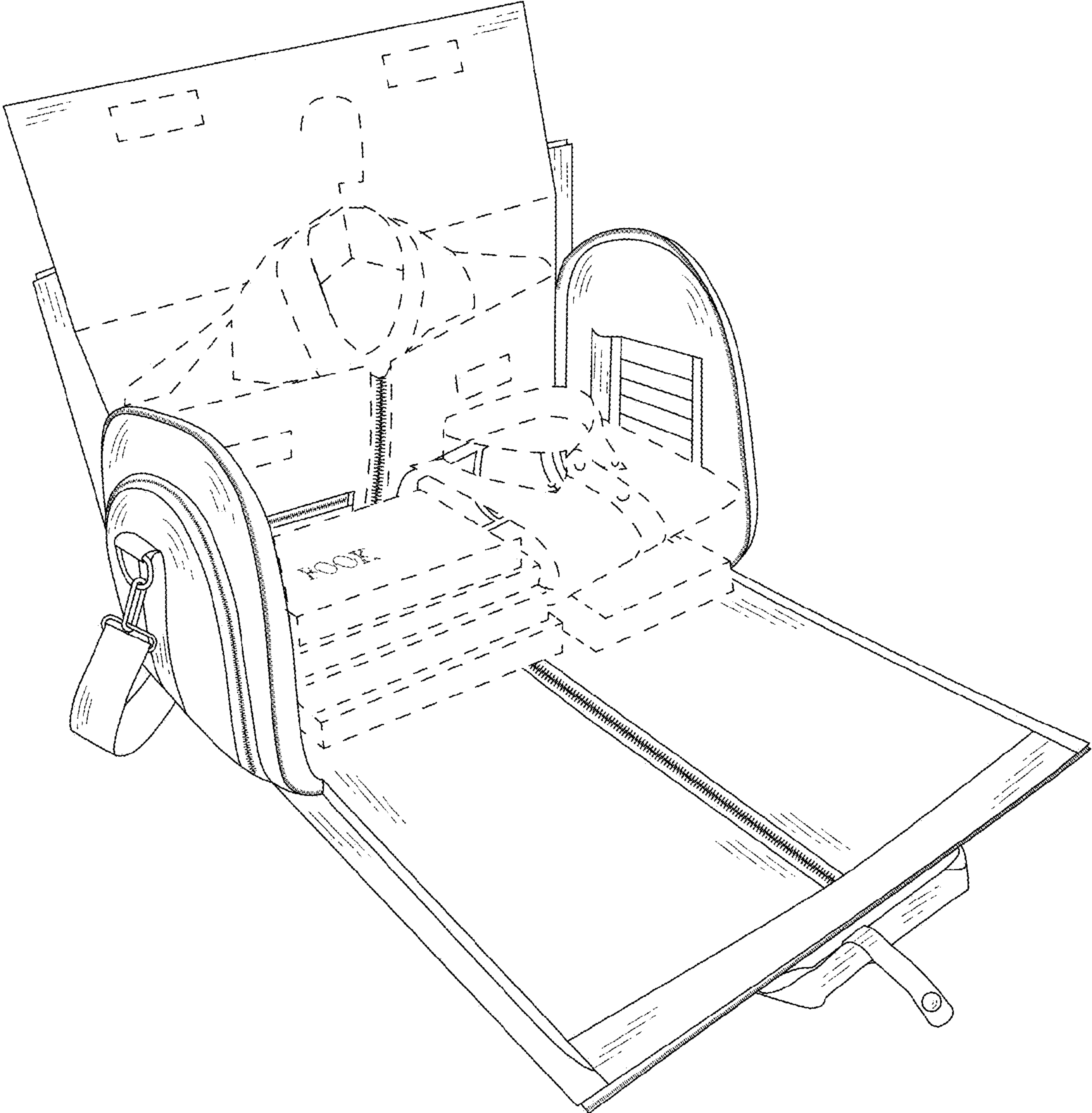


FIG.9

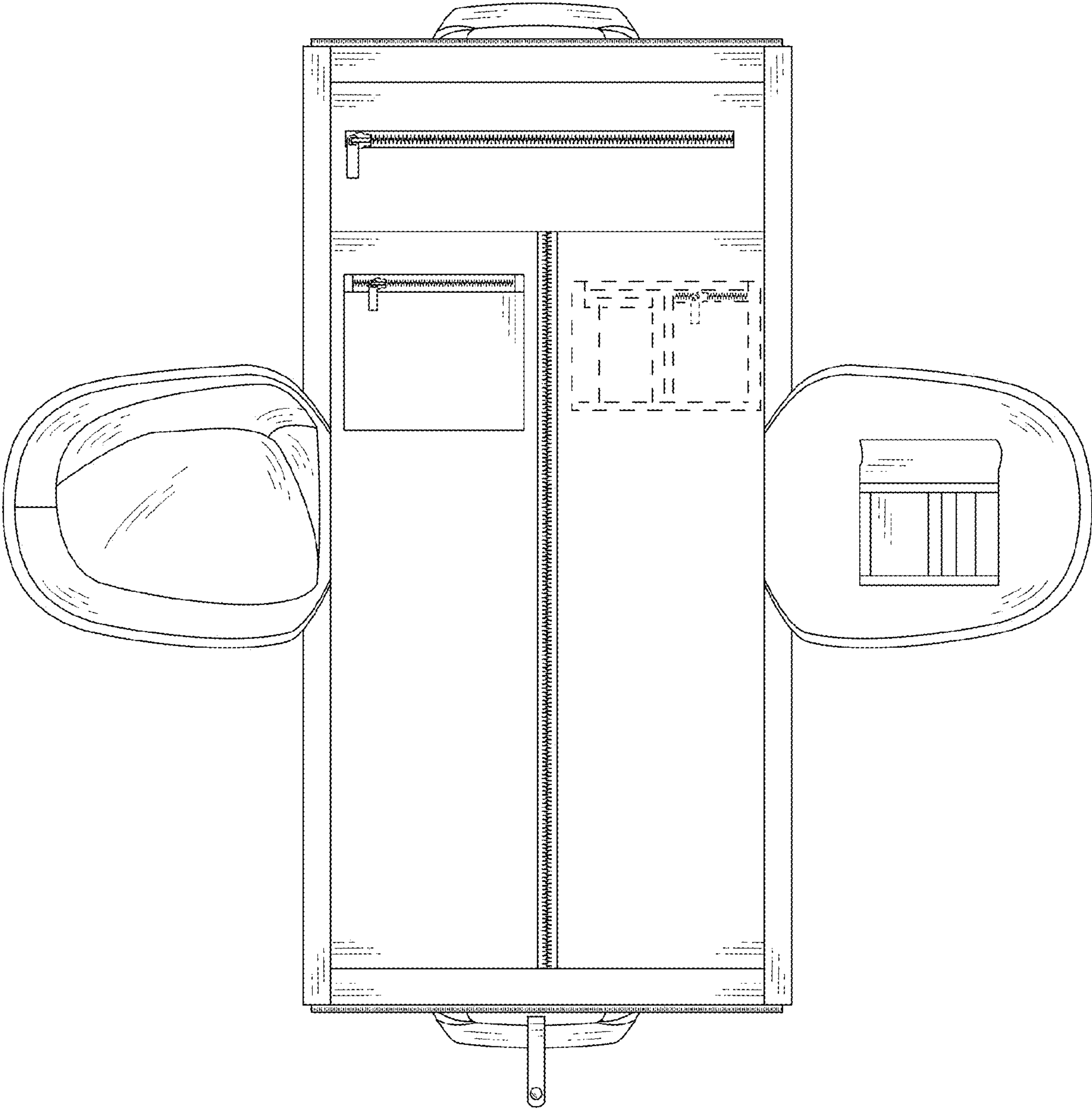


FIG.10

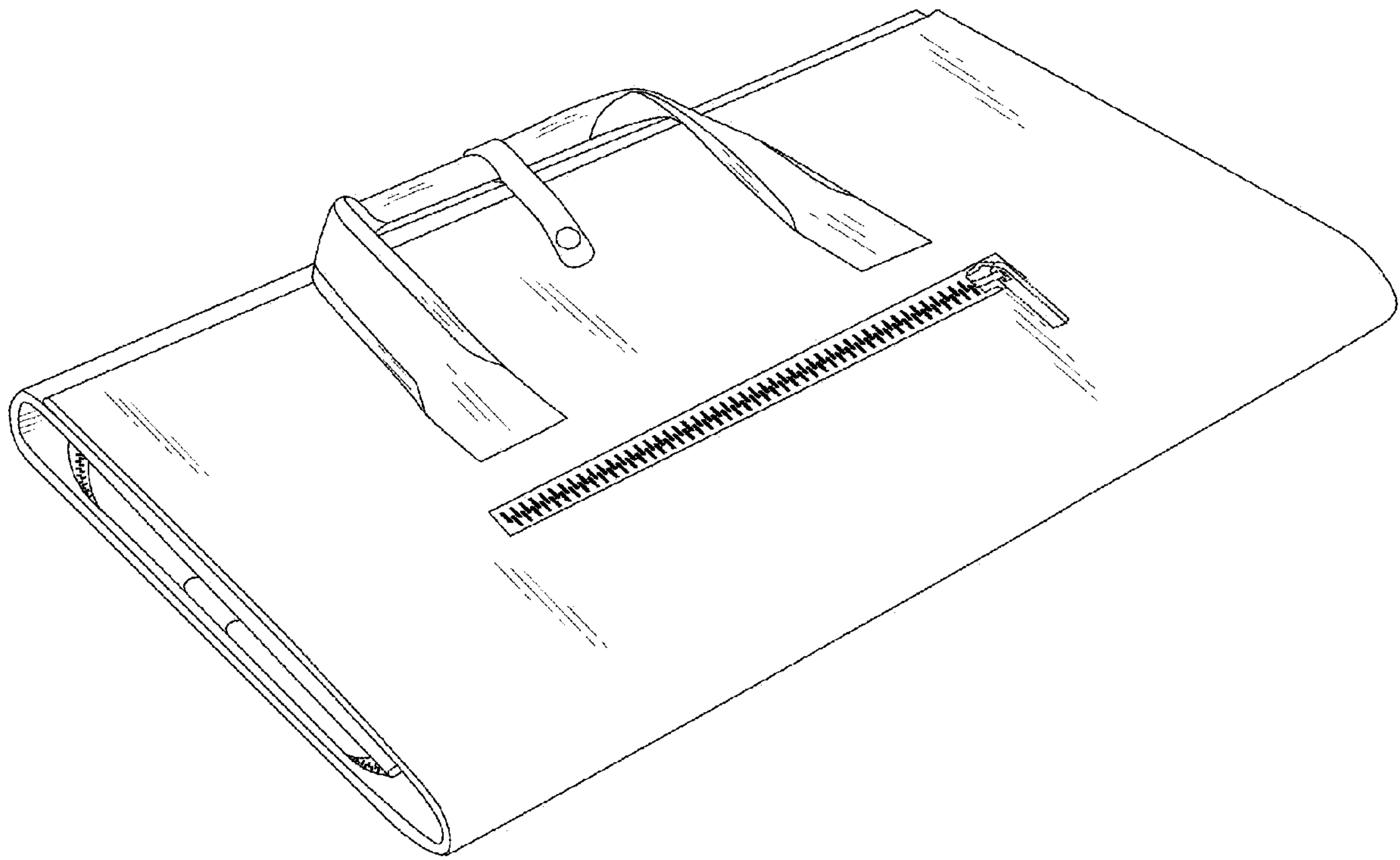


FIG. 11