



US00D895282S

(12) **United States Design Patent** (10) **Patent No.:** **US D895,282 S**
Plattner (45) **Date of Patent:** **** Sep. 8, 2020**

(54) **CONTAINER FOR TRANSPORT OF SOLID GOODS**

(71) Applicant: **Georg UTZ Holding AG**, Bremgarten (CH)

(72) Inventor: **Patrik Plattner**, Sarmenstorf (CH)

(73) Assignee: **Georg UTZ Holding AG**, Bremgarten (CH)

(**) Term: **15 Years**

(21) Appl. No.: **29/654,928**

(22) Filed: **Jun. 28, 2018**

(51) **LOC (12) Cl.** **03-01**

(52) **U.S. Cl.**
USPC **D3/272; D3/314**

(58) **Field of Classification Search**
USPC D3/273, 276, 278, 283, 284, 285, 289,
D3/290, 301, 900, 243, 245, 217, 901,
D3/205, 272, 314; D7/607, 335, 601
CPC A45C 11/20; B65D 21/0213
See application file for complete search history.

(56) **References Cited**

U.S. PATENT DOCUMENTS

D242,660	S	*	12/1976	Astle	D3/314
D245,760	S	*	9/1977	Box	D3/314
D331,306	S	*	11/1992	Sumpter	D3/272
D336,715	S	*	6/1993	Gora	D3/314
D366,363	S	*	1/1996	Berggren	D3/314
D421,183	S	*	2/2000	Koskinen	D3/304
D424,299	S	*	5/2000	Varfeldt	D3/304
D572,902	S	*	7/2008	Schafer	D3/272
D593,751	S	*	6/2009	McDade	D3/272
D597,383	S	*	8/2009	Masterton	D3/272
D701,044	S	*	3/2014	Kishimoto	D3/272
D797,453	S	*	9/2017	Shamp	D3/314
D810,439	S	*	2/2018	Martin Tellez	D3/314
2006/0096981	A1	*	5/2006	Schafer	B65D 11/1833 220/6
2016/0325885	A1	*	11/2016	Plattner	B65D 5/48

(Continued)

OTHER PUBLICATIONS

Kleinladungsträger, PDF, cached from Mar. 3, 2016. (https://web.archive.org/web/20160303215343/https://www.de-pack.de/files/KLT_6_7.pdf) (Year: 2016).*

(Continued)

Primary Examiner — April Rivas

(74) *Attorney, Agent, or Firm* — Henry M. Feiereisen LLC

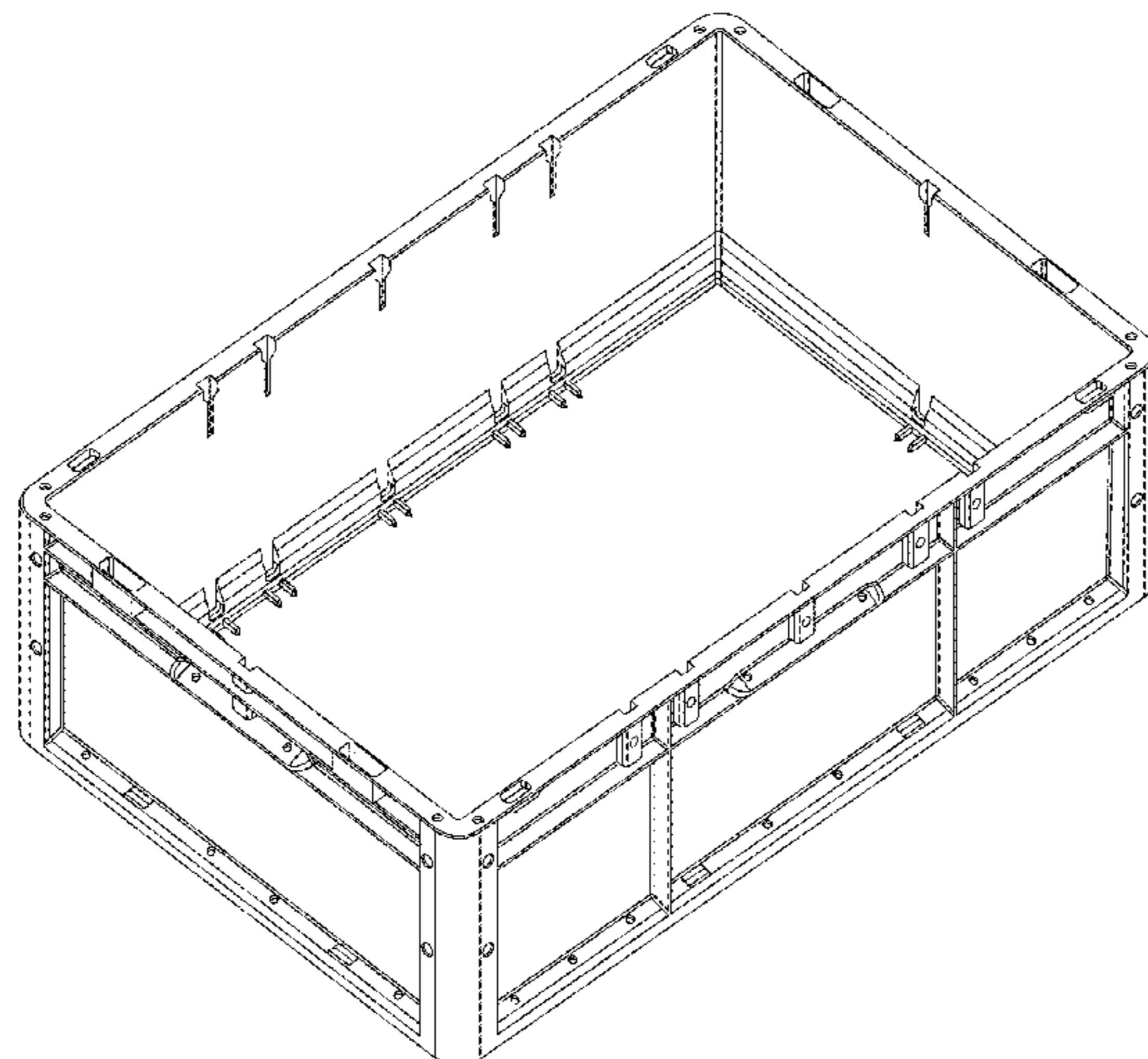
(57) **CLAIM**

The ornamental design for a container for transport of solid goods, as shown and described.

DESCRIPTION

FIG. 1 is a top, front and right side view of a first embodiment of a container for transporting solid goods, showing my new design;
FIG. 2 is a bottom, front and left side view thereof;
FIG. 3 is a right side view thereof, with the left side being a mirror image thereof;
FIG. 4 is a front view thereof, with the back side being a mirror image thereof;
FIG. 5 is a top view thereof;
FIG. 6 is a bottom view thereof;
FIG. 7 is a top, front and right side view of a second embodiment of a container for transporting solid goods, showing my new design;
FIG. 8 is a bottom, front and left side view thereof;
FIG. 9 is a right side view thereof, with the left side being a mirror image thereof;
FIG. 10 is a front view thereof, with the back side being a mirror image thereof;
FIG. 11 is a top view thereof; and,
FIG. 12 is a bottom view thereof.

1 Claim, 12 Drawing Sheets



(56)

References Cited

U.S. PATENT DOCUMENTS

2017/0001756 A1* 1/2017 Plattner B65D 21/0213

OTHER PUBLICATIONS

UTZ Eurotech catalog exert, Accessed Apr. 28, 2020.(<https://cdn.highspeed-network.com/1013/1483687474000/media/content/products/Produktsortiment-PDF/catalogue-utz-switzerland-06-EUROTEC.pdf>) (Year: 2020).*

* cited by examiner

FIG. 1

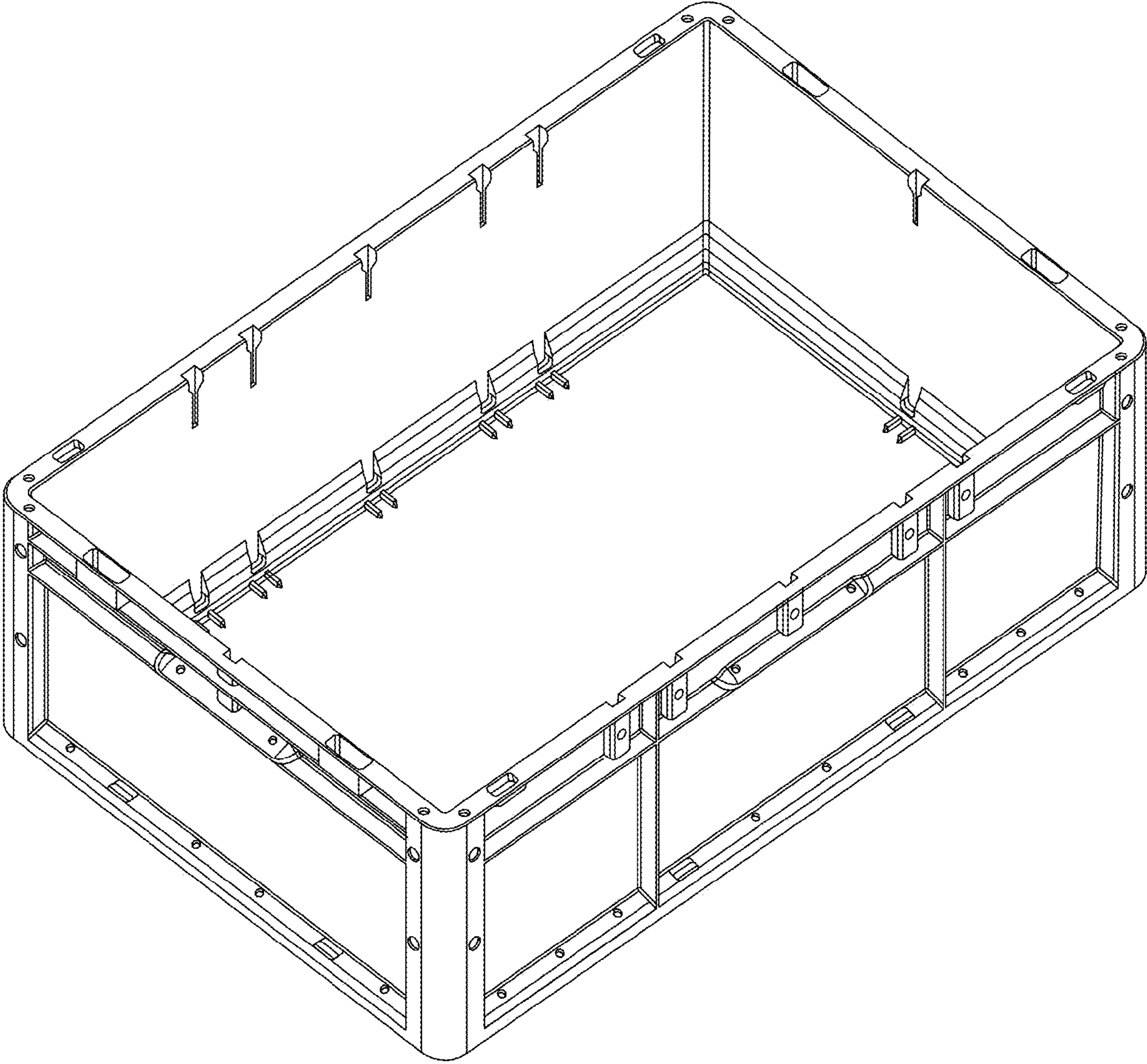


FIG. 2

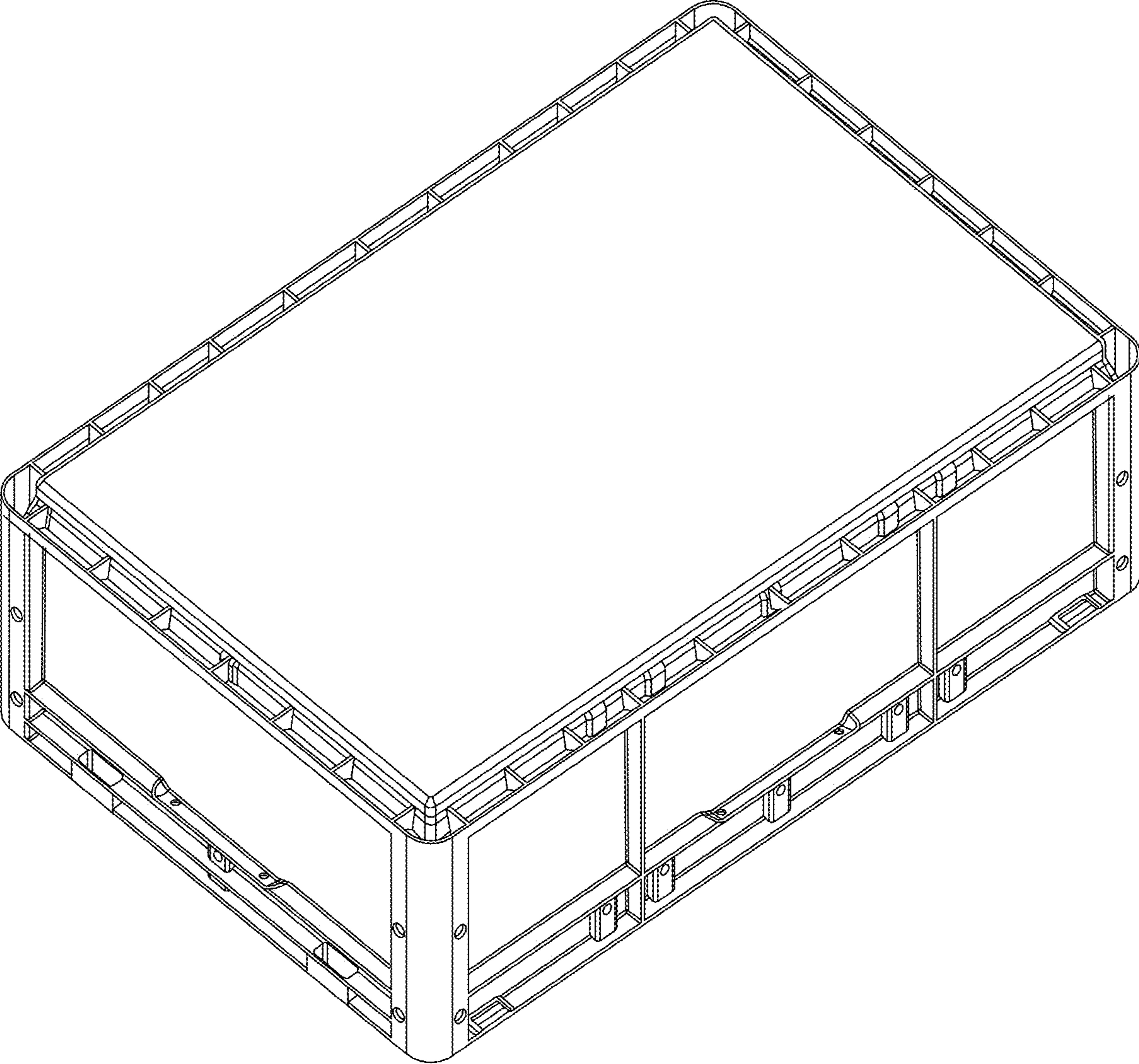


FIG. 3

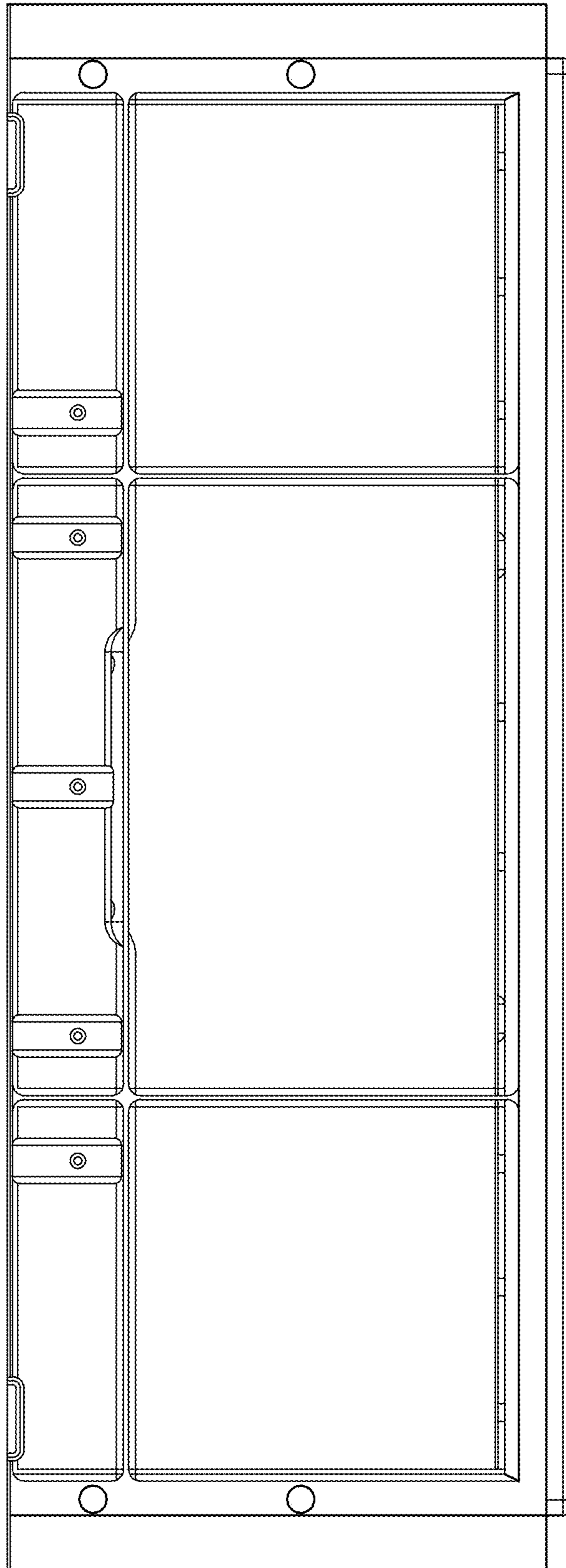


FIG. 4

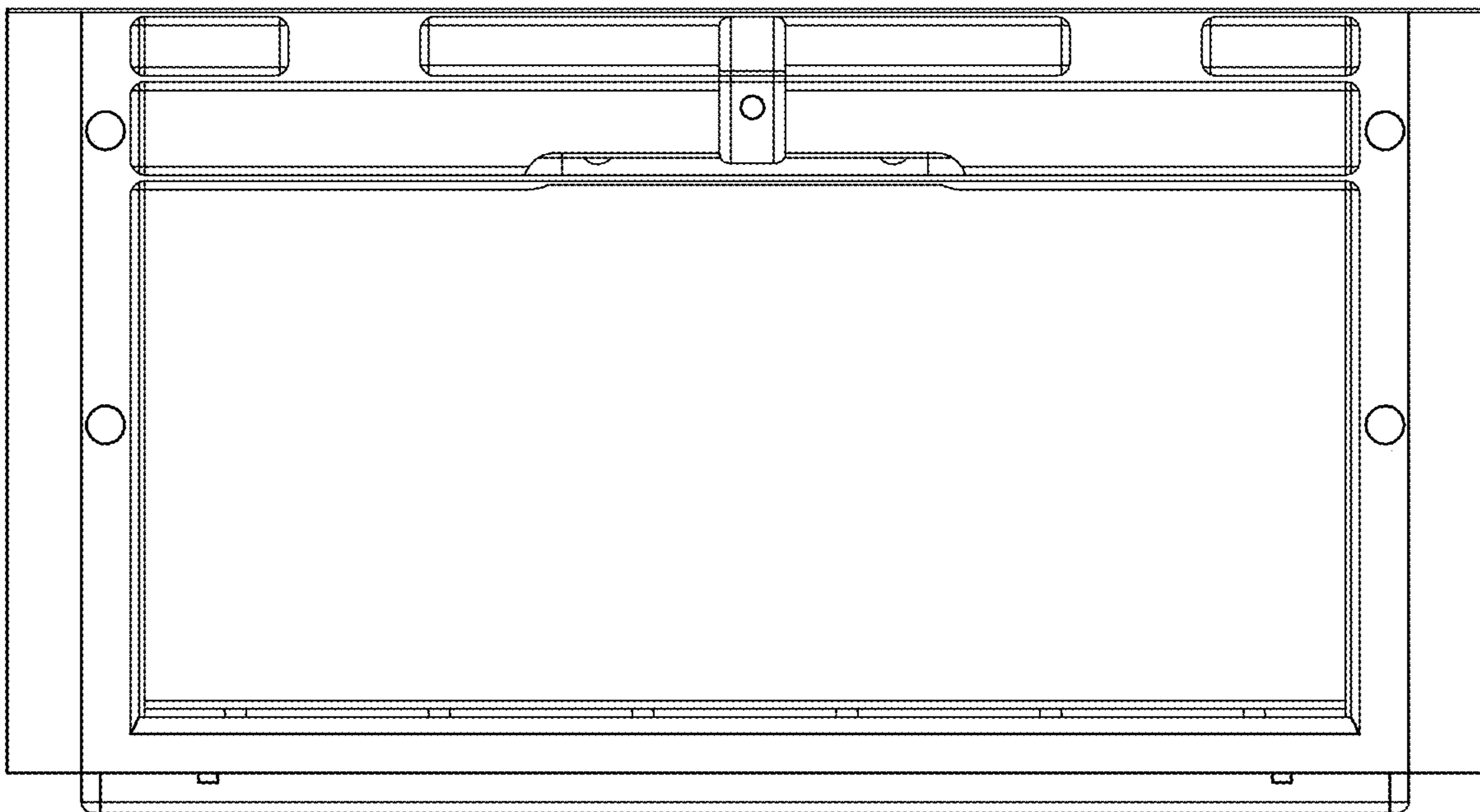


FIG. 5

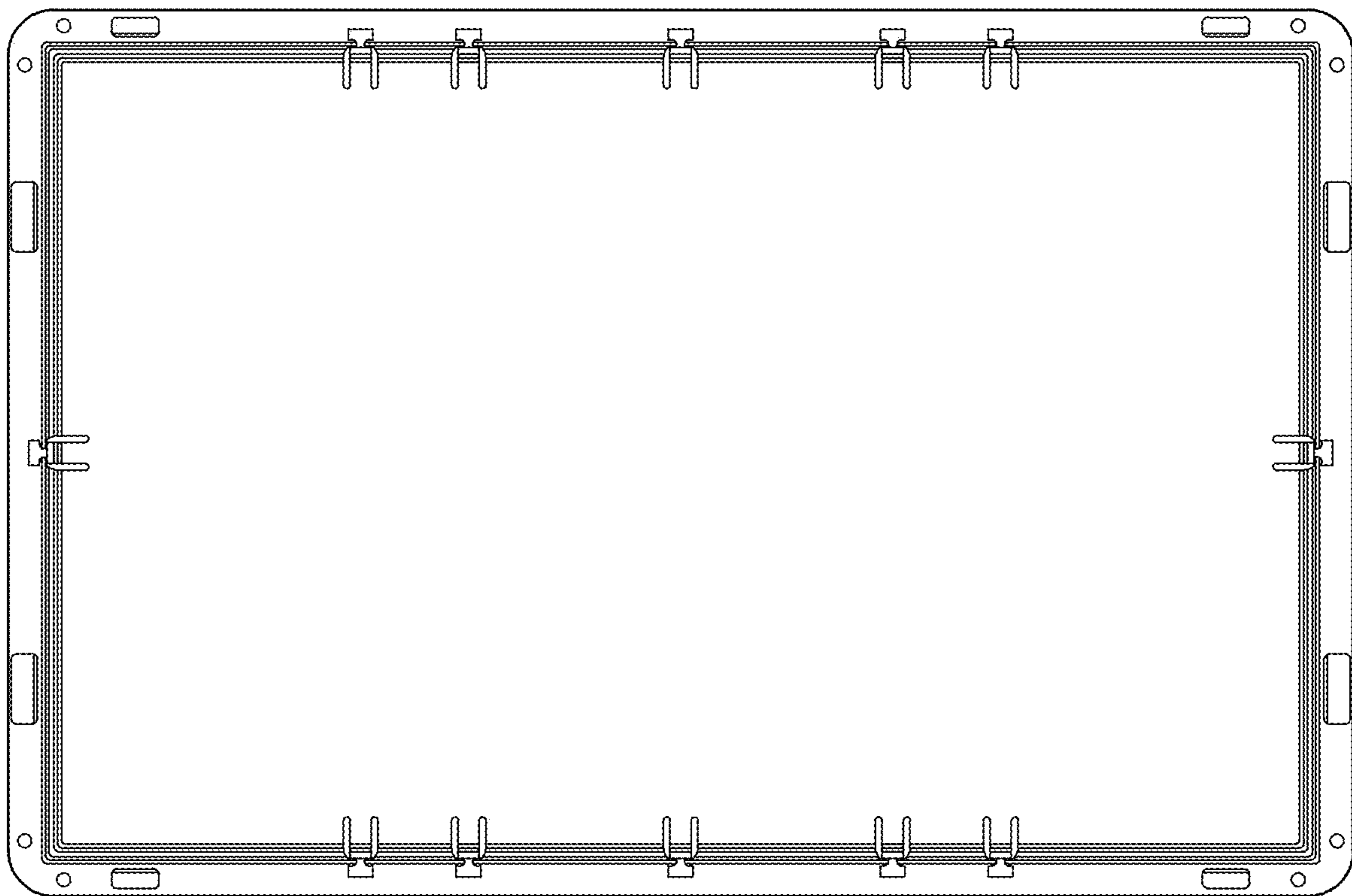


FIG. 6

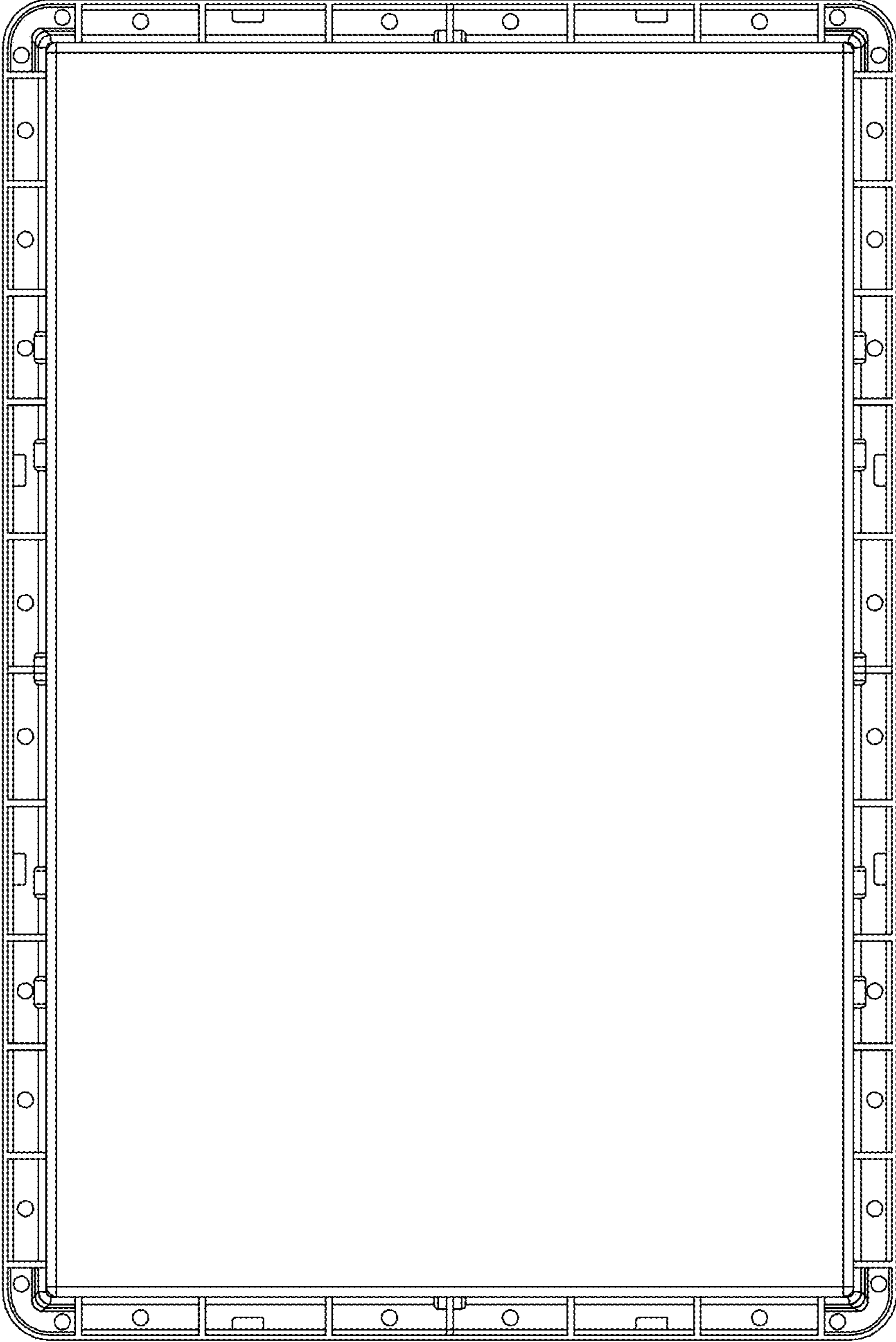


FIG. 7

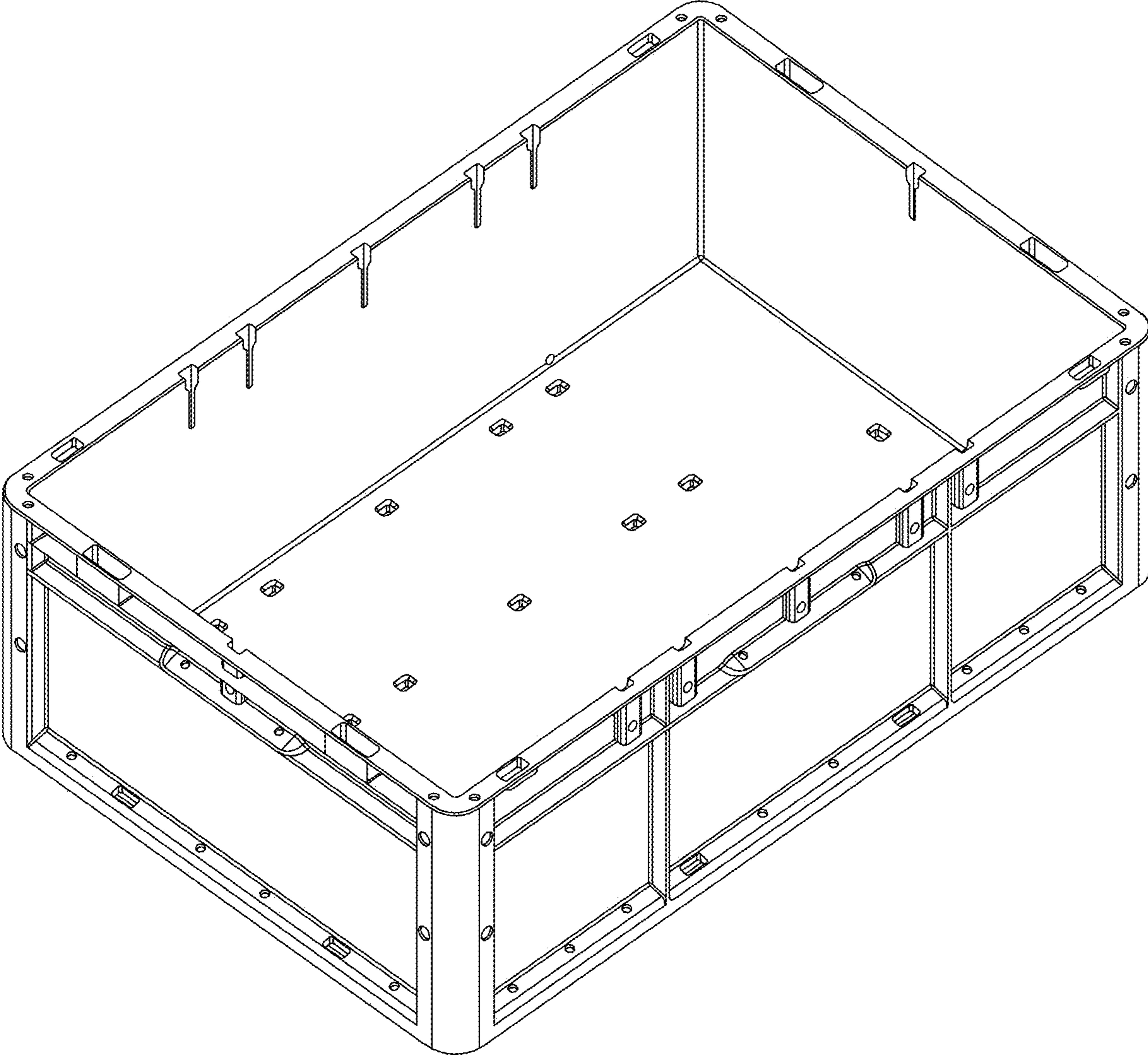


FIG. 8

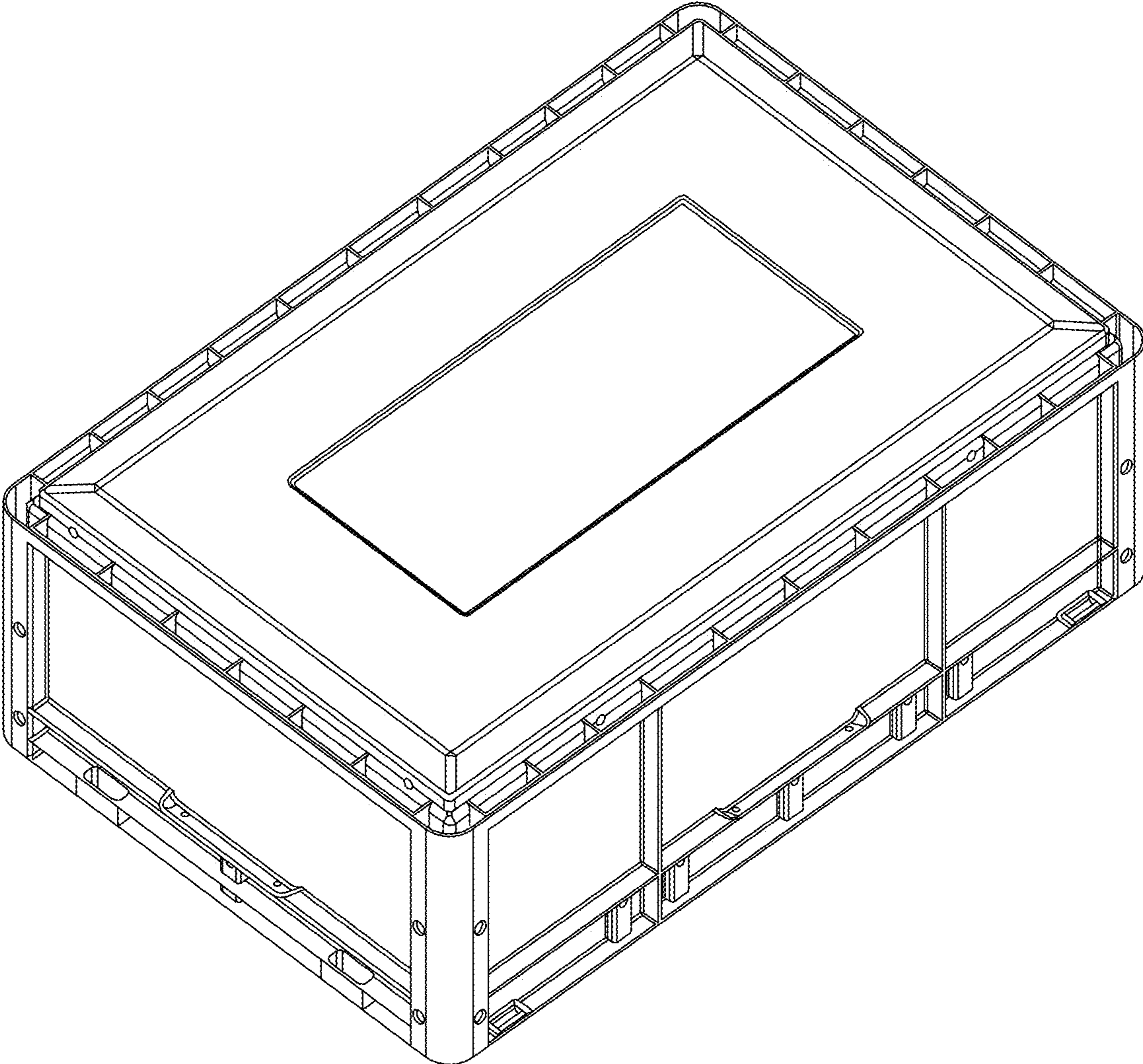


FIG. 9

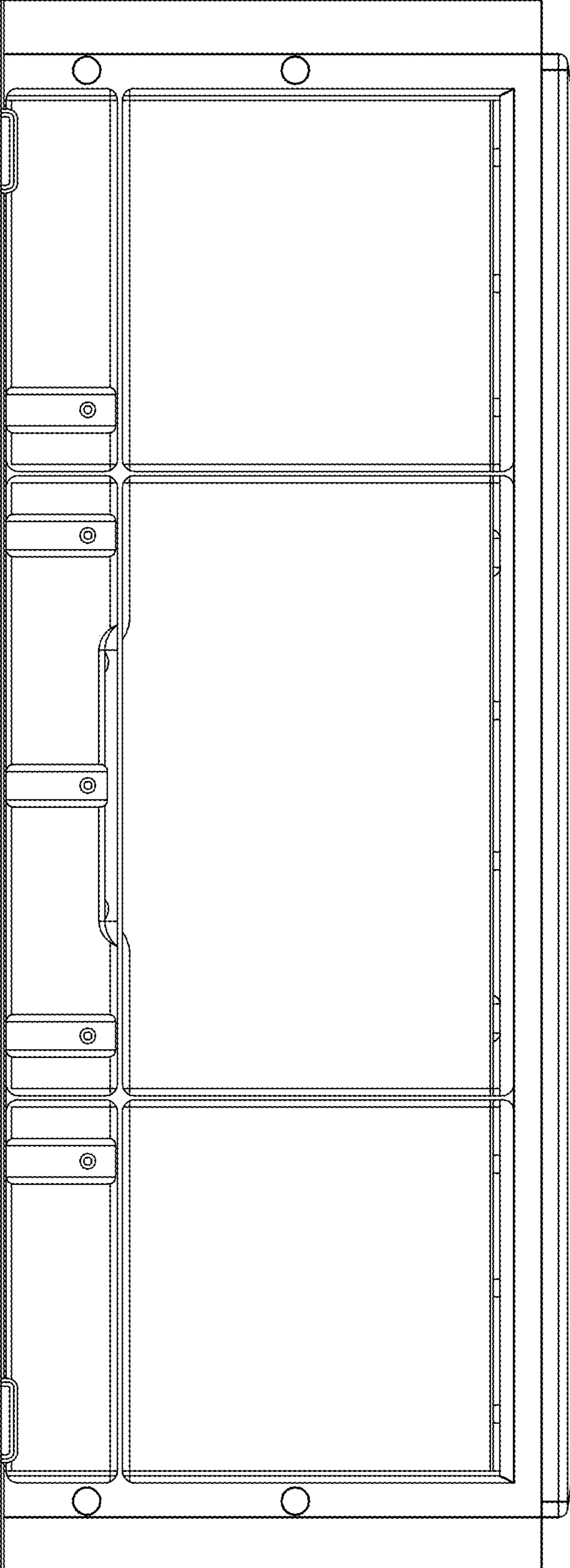


FIG. 10

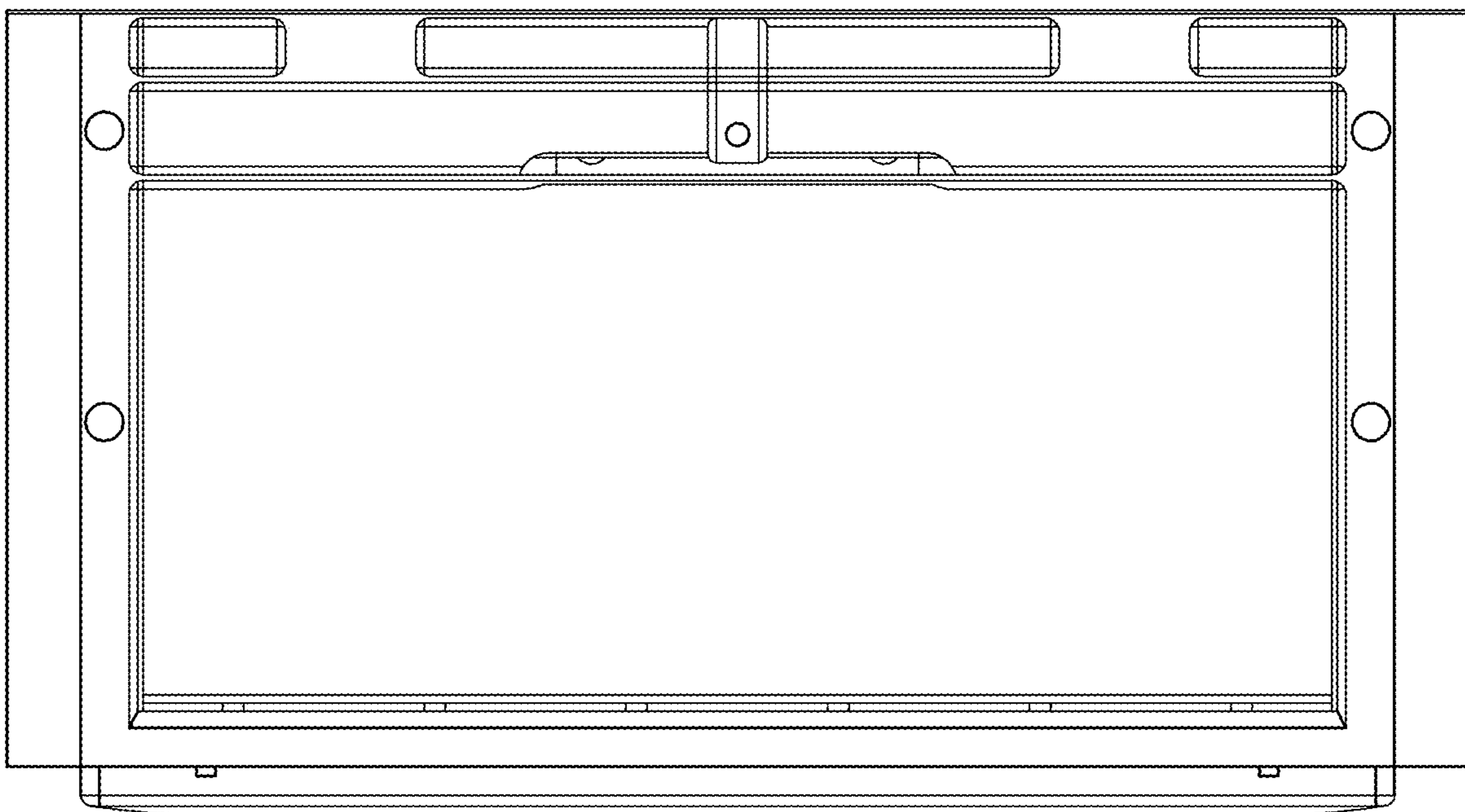


FIG. 11

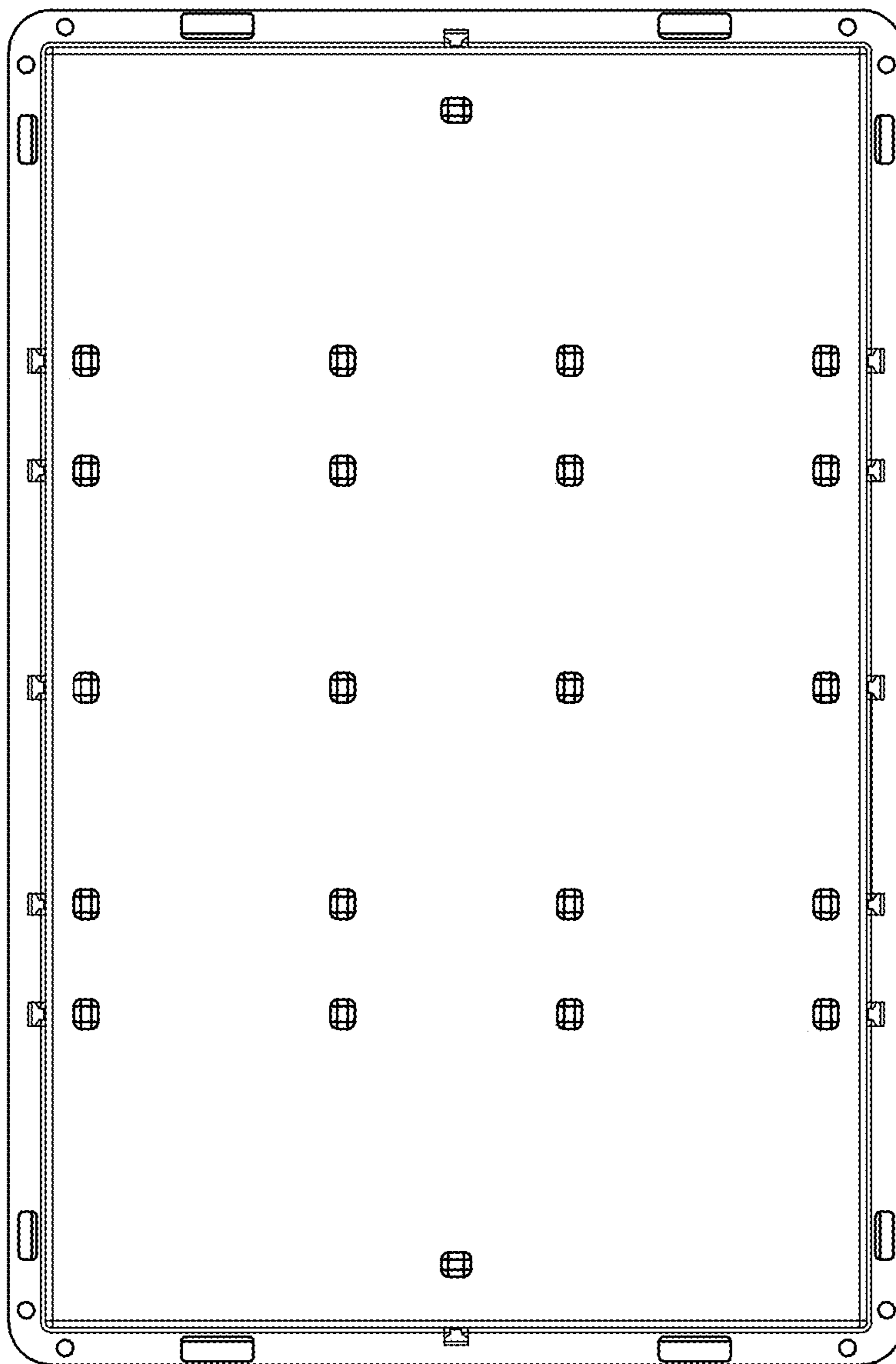


FIG. 12

