



US00D895281S

(12) **United States Design Patent**
Barker

(10) **Patent No.:** **US D895,281 S**

(45) **Date of Patent:** **** Sep. 8, 2020**

(54) **SOFT COVER FIREARM CASE
CONVERTIBLE INTO A SEAT**

D528,790 S * 9/2006 Sides D3/262
D532,971 S * 12/2006 Sides D3/262
7,434,683 B1 * 10/2008 Harper A45C 5/00
190/104

(71) Applicant: **Scott Zane Barker**, Berkeley Springs,
WV (US)

(Continued)

(72) Inventor: **Scott Zane Barker**, Berkeley Springs,
WV (US)

Primary Examiner — Mitchell I. Siegel

(74) *Attorney, Agent, or Firm* — White-Welker & Welker,
LLC; Matthew T. Welker, Esq.

(**) Term: **15 Years**

(57) **CLAIM**

(21) Appl. No.: **29/674,876**

The ornamental design for a soft cover firearm case convertible into a seat, as shown and described.

(22) Filed: **Dec. 27, 2018**

DESCRIPTION

Related U.S. Application Data

(63) Continuation-in-part of application No. 15/913,797, filed on Mar. 6, 2018, now abandoned, which is a continuation-in-part of application No. 15/157,070, filed on May 17, 2016, now abandoned.

FIG. 1 is a front elevational view of a soft cover firearm case convertible into a seat of the present invention. The undisclosed rear elevation being a mirror image.

FIG. 2 is a top plan view thereof.

FIG. 3 is a right side elevational view thereof. The undisclosed left side being a mirror image.

(51) **LOC (12) Cl.** **03-01**

(52) **U.S. Cl.**

USPC **D3/262**

(58) **Field of Classification Search**

USPC D3/200, 204, 221–225, 254, 262, 273,
D3/276, 282, 289, 301

CPC A45C 9/00; A45C 2009/002; F41C
33/00–33/08; B60R 7/14; B60R 9/055;
B60R 9/08

See application file for complete search history.

FIG. 4 is a front elevational view shown in alternate position. The undisclosed rear elevation being a mirror image.

FIG. 5 is a top plan view of FIG. 4.

FIG. 6 is a right side elevational view of FIG. 4. The undisclosed left side being a mirror image.

FIG. 7 is a plan view of FIG. 1 shown in an open position. FIG. 8 is a plan view of FIG. 7 shown in an alternate position.

FIG. 9 is a plan view of FIG. 7 shown in an alternate position.

FIG. 10 is a plan view of FIG. 7 shown in an alternate position; and,

FIG. 11 is a plan view of FIG. 7 shown in an alternate position.

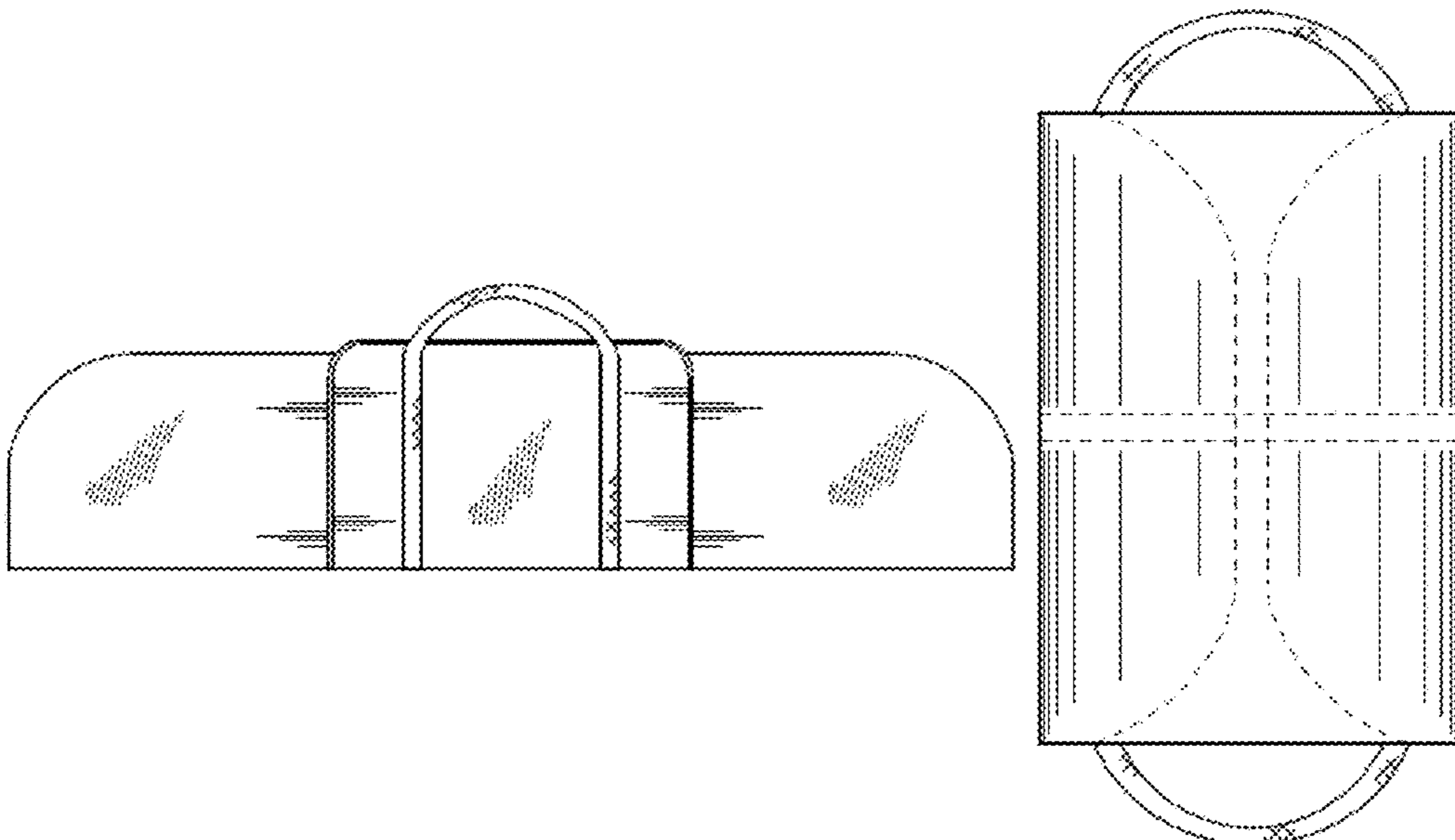
The broken lines shown are included for the purpose of illustrating unclaimed subject matter and forms no part of the claimed design.

(56) **References Cited**

U.S. PATENT DOCUMENTS

D413,020 S * 8/1999 Kolpin D3/262
5,957,349 A * 9/1999 Krulik A45C 9/00
190/8
D448,559 S * 10/2001 Kolpin D3/262
6,951,035 B2 * 10/2005 Kinchen A47C 16/04
5/420

1 Claim, 6 Drawing Sheets



(56)

References Cited

U.S. PATENT DOCUMENTS

8,820,497 B1 * 9/2014 Goldsmith A45C 9/00
190/18 A
8,899,677 B2 * 12/2014 Hurlburt A47C 13/00
297/217.1
D731,789 S * 6/2015 Quinnan D3/262
D744,234 S * 12/2015 Quinnan D3/262
D759,375 S * 6/2016 Dolfi D3/262
D782,192 S * 3/2017 Scranton D3/262
D805,026 S * 12/2017 Anderson D13/102
D822,991 S * 7/2018 Sorokin D3/262
D850,788 S * 6/2019 Dolfi D3/262
D852,501 S * 7/2019 Dolfi D3/262
D852,502 S * 7/2019 Dolfi D3/262
D853,721 S * 7/2019 Dolfi D3/262
2002/0088830 A1 * 7/2002 Rose A45C 9/00
224/153
2008/0110076 A1 * 5/2008 Bennett F41A 35/02
42/96
2008/0260301 A1 * 10/2008 Winter B63B 32/80
383/40
2013/0153450 A1 * 6/2013 Travis F41C 33/06
206/317
2015/0173473 A1 * 6/2015 Jenkins A45C 7/0095
190/1
2016/0113263 A1 * 4/2016 Potempa A45F 4/12
2/87

* cited by examiner

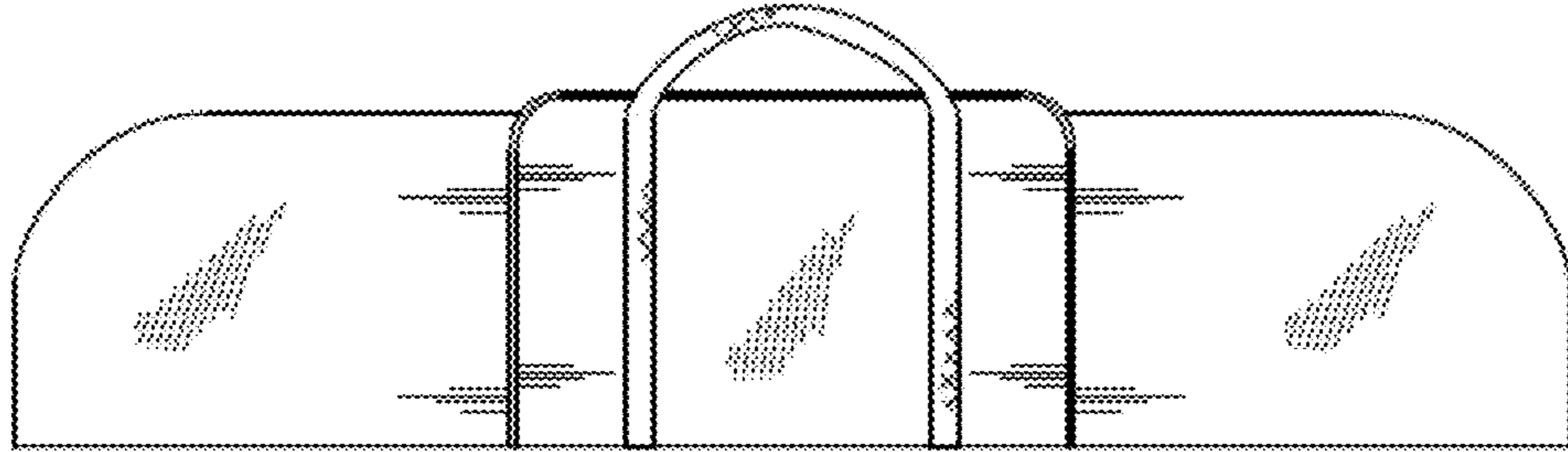


FIG. 1



FIG. 2



FIG. 3

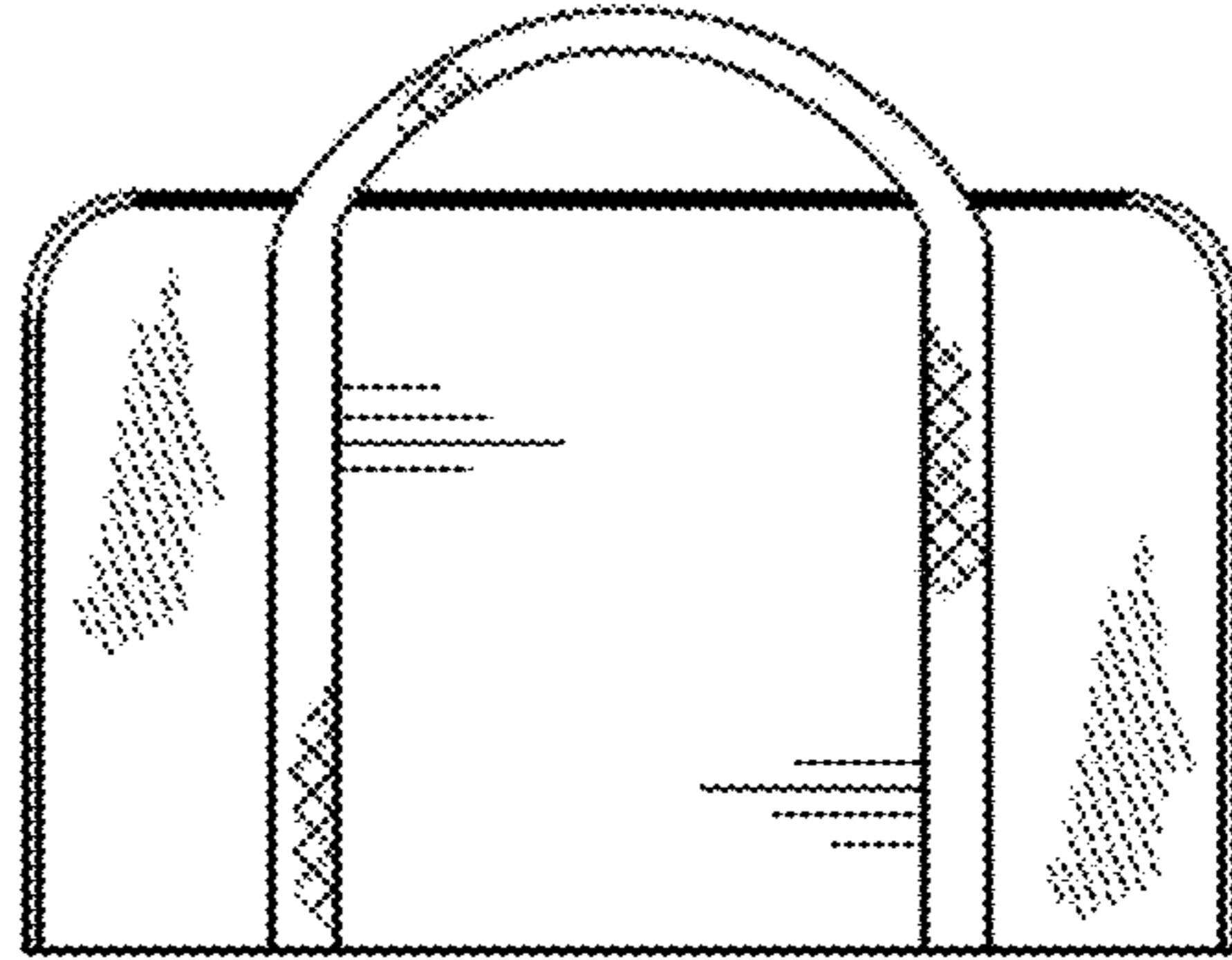


FIG. 4



FIG. 5



FIG. 6

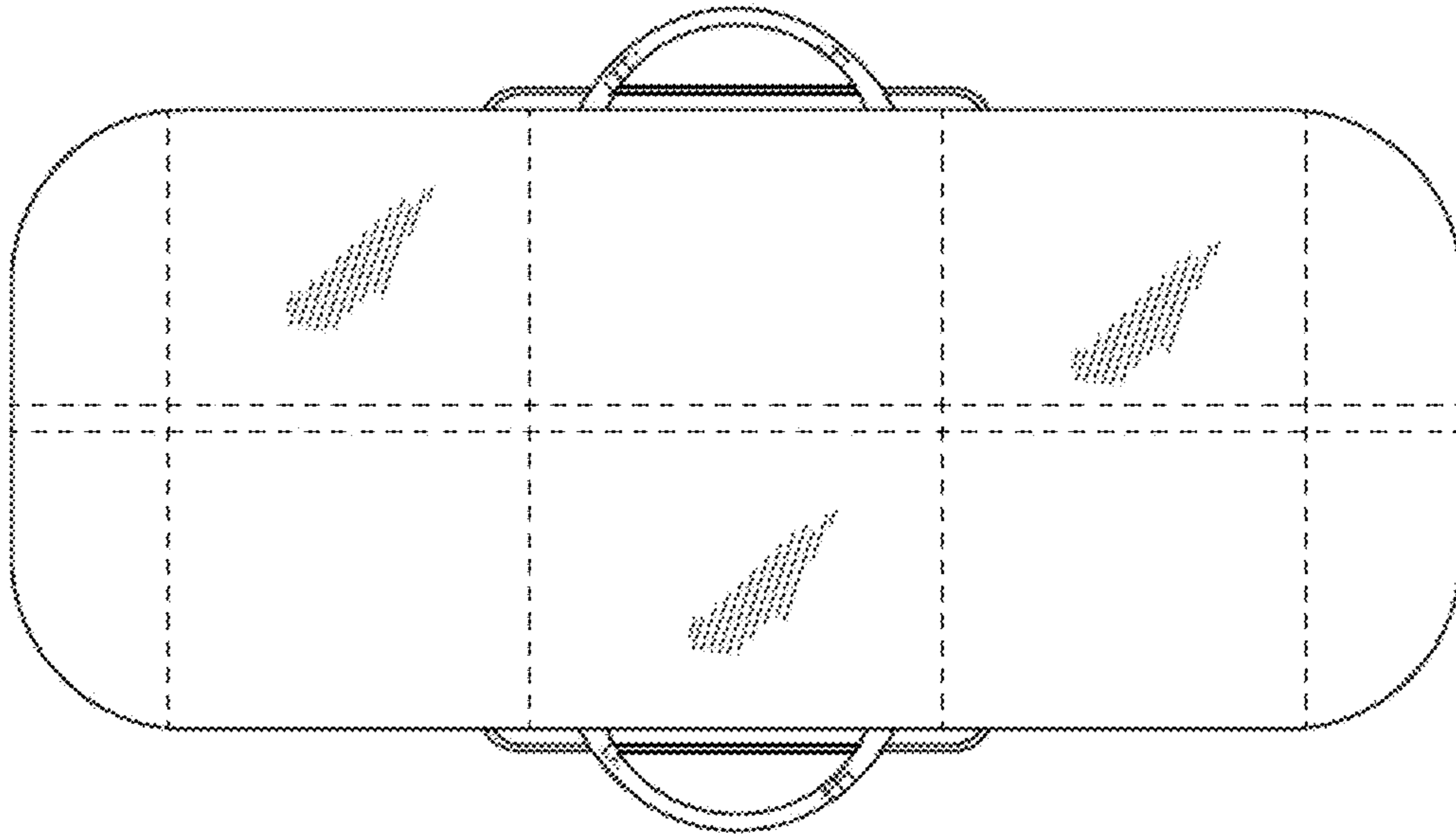


FIG. 7

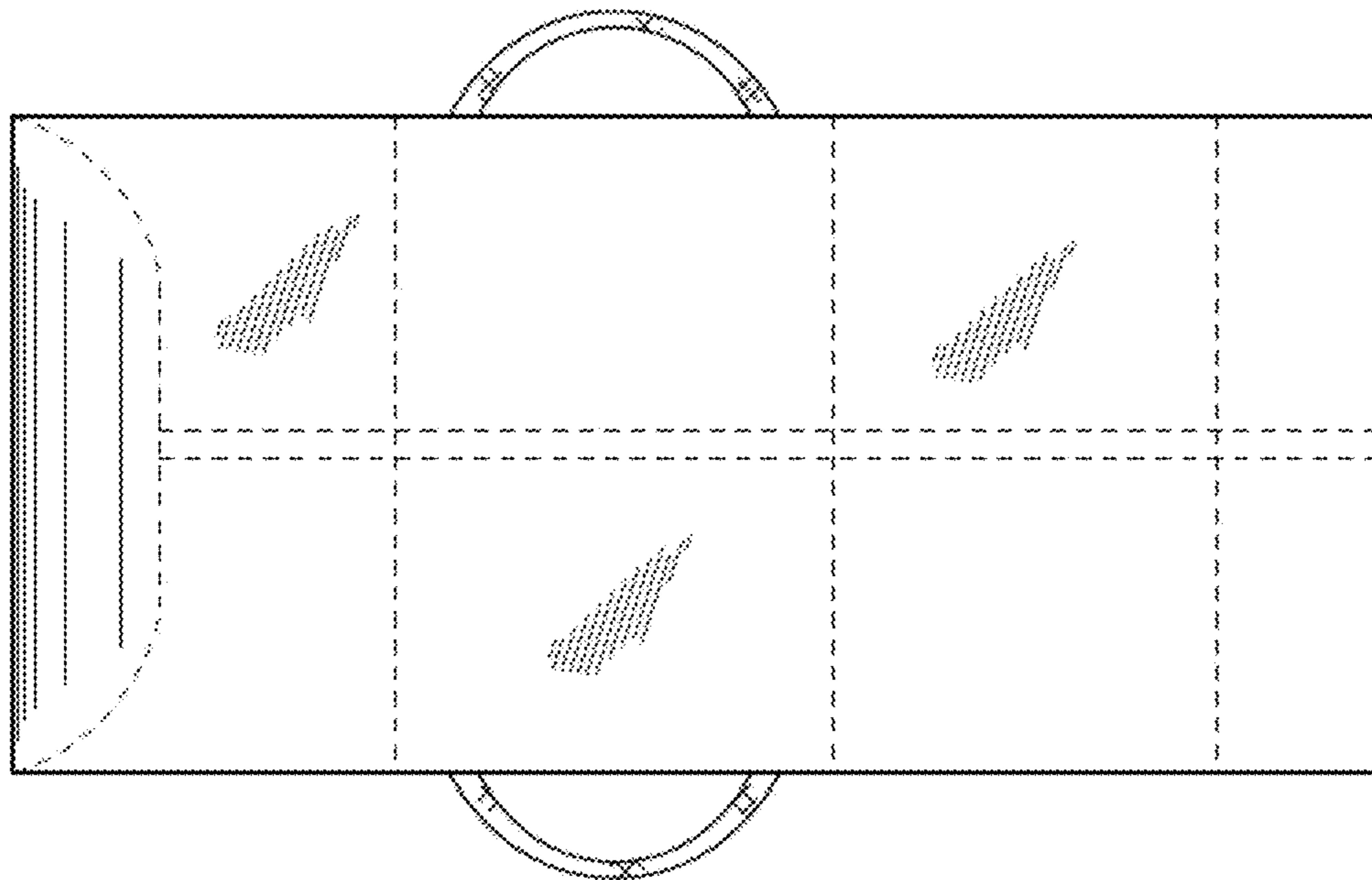


FIG. 8

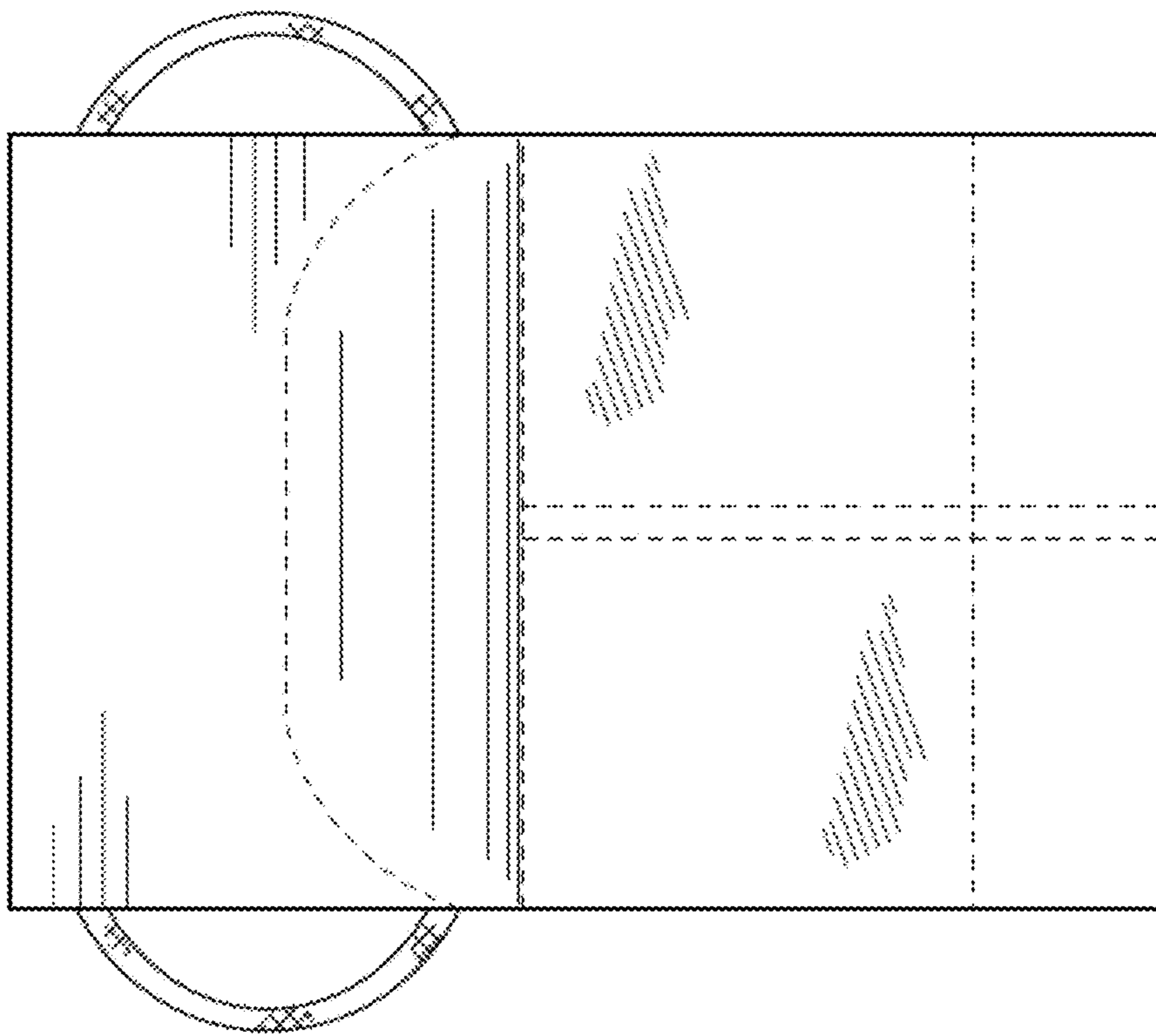


FIG. 9

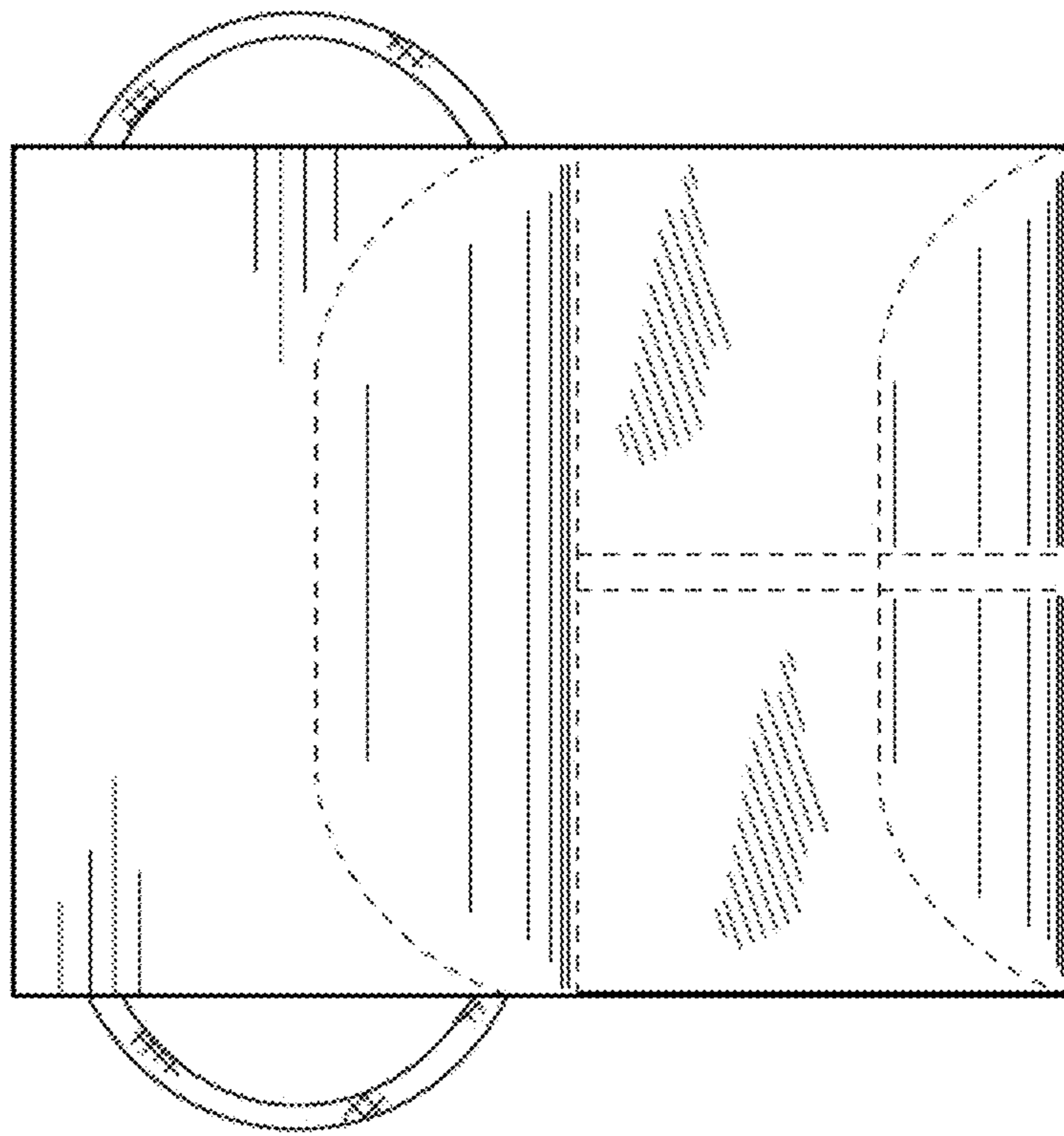


FIG. 10

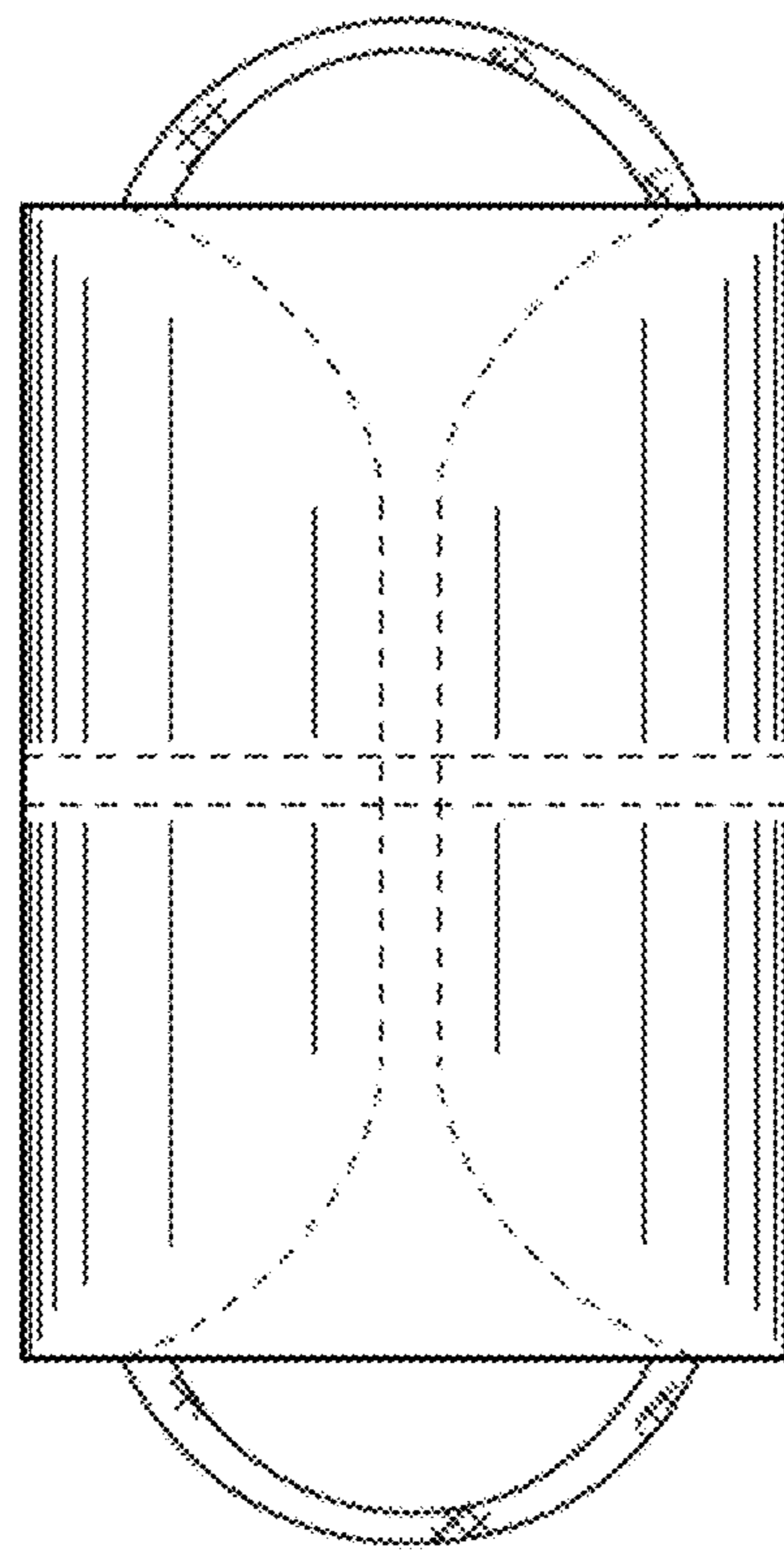


FIG. 11