



US00D895280S

(12) **United States Design Patent**  
**Burgess et al.**

(10) **Patent No.:** **US D895,280 S**

(45) **Date of Patent:** **\*\* Sep. 8, 2020**

(54) **GOLF BAG WITH SIDE POCKETS**

5,860,521 A \* 1/1999 Wu ..... A63B 55/57  
206/315.7

(71) Applicant: **Acushnet Company**, Fairhaven, MA  
(US)

D405,259 S \* 2/1999 Sundara ..... D3/255

D412,060 S 7/1999 Reimers

5,988,379 A \* 11/1999 Yearous ..... A45C 5/06  
206/315.3

(72) Inventors: **Ian Burgess**, Tiverton, RI (US); **Duane Marshall**, East Greenwich, RI (US)

D419,295 S 1/2000 Reimers

D422,137 S \* 4/2000 Reimers ..... D3/255

D429,416 S \* 8/2000 Heidenreich ..... D3/255

6,296,116 B1 \* 10/2001 Schmidt ..... A63B 53/14  
206/315.7

(73) Assignee: **Acushnet Company**, Fairhaven, MA  
(US)

D453,875 S \* 2/2002 Schmitt, Jr. .... D3/255

D458,025 S 6/2002 Tuerschmann et al.

(\*\*) Term: **15 Years**

(Continued)

(21) Appl. No.: **29/669,125**

*Primary Examiner* — Mitchell I. Siegel

(22) Filed: **Nov. 6, 2018**

(74) *Attorney, Agent, or Firm* — Daniel W. Sullivan

(51) **LOC (12) Cl.** ..... **03-01**

(57) **CLAIM**

(52) **U.S. Cl.**  
USPC ..... **D3/255**

The ornamental design for a golf bag with side pockets, as shown and described.

(58) **Field of Classification Search**  
USPC ..... D3/201, 221, 254, 255, 308–320, 328,  
D3/328.1

CPC ... A63B 55/00–55/57; A63B 2055/402; A63B  
2055/403; A63B 60/00; A63B 60/46

See application file for complete search history.

**DESCRIPTION**

FIG. 1 is a first perspective view of the golf bag with side pockets of this invention;

FIG. 2 is a rear view of the golf bag with side pockets of this invention;

FIG. 3 is a first side view of the golf bag with side pockets of this invention;

FIG. 4 is a front view of the golf bag with side pockets of this invention;

FIG. 5 is a second side view of the golf bag with side pockets of this invention;

FIG. 6 is a bottom plan view of the golf bag with side pockets of this invention; and,

FIG. 7 is a top plan view of the golf bag with side pockets of this invention.

The broken lines shown in FIGS. 1-7 are included for the purpose of illustrating unclaimed subject matter and form no part of the claimed design.

(56) **References Cited**

U.S. PATENT DOCUMENTS

2,861,614 A \* 11/1958 Kish, Jr. .... A63B 55/00  
224/613

4,249,586 A \* 2/1981 Setani ..... A63B 55/406  
206/315.4

D320,887 S \* 10/1991 Jones ..... D3/255

5,123,531 A \* 6/1992 Beretta ..... A63B 55/00  
206/315.3

D331,660 S \* 12/1992 Souhrada ..... D3/255

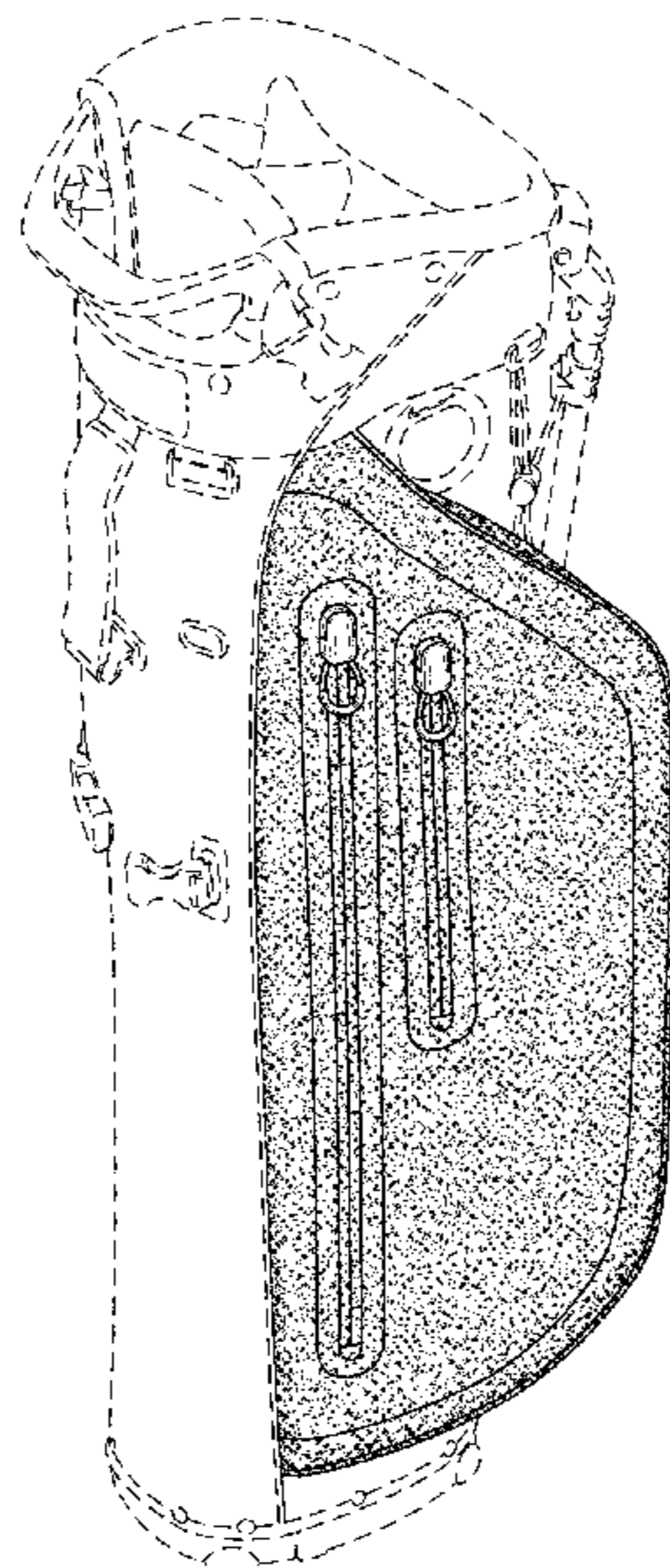
5,340,063 A \* 8/1994 Hsieh ..... A63B 55/57  
248/96

D353,264 S \* 12/1994 Danezin ..... D3/255

D382,397 S \* 8/1997 Wu ..... D3/255

D387,556 S \* 12/1997 Beebe ..... 224/645

**1 Claim, 4 Drawing Sheets**



(56)

**References Cited**

U.S. PATENT DOCUMENTS

6,557,702 B1 *	5/2003	Sanderson .....	A45C 5/02 206/315.4
D468,908 S	6/2003	Meissner	
D488,619 S	4/2004	Klock	
D489,532 S *	5/2004	Reimers .....	D3/255
D493,033 S	7/2004	Howe, Jr.	
D501,992 S	2/2005	Renahan et al.	
D501,993 S	2/2005	Renahan et al.	
D600,910 S *	9/2009	Saconay-Duhart .....	D3/255
D646,055 S	10/2011	Dylina et al.	
D666,813 S	9/2012	Brundl	
D801,690 S *	11/2017	Howard .....	D3/320
D824,167 S *	7/2018	Burgess .....	D3/255
D863,767 S *	10/2019	Burgess .....	D3/318

\* cited by examiner

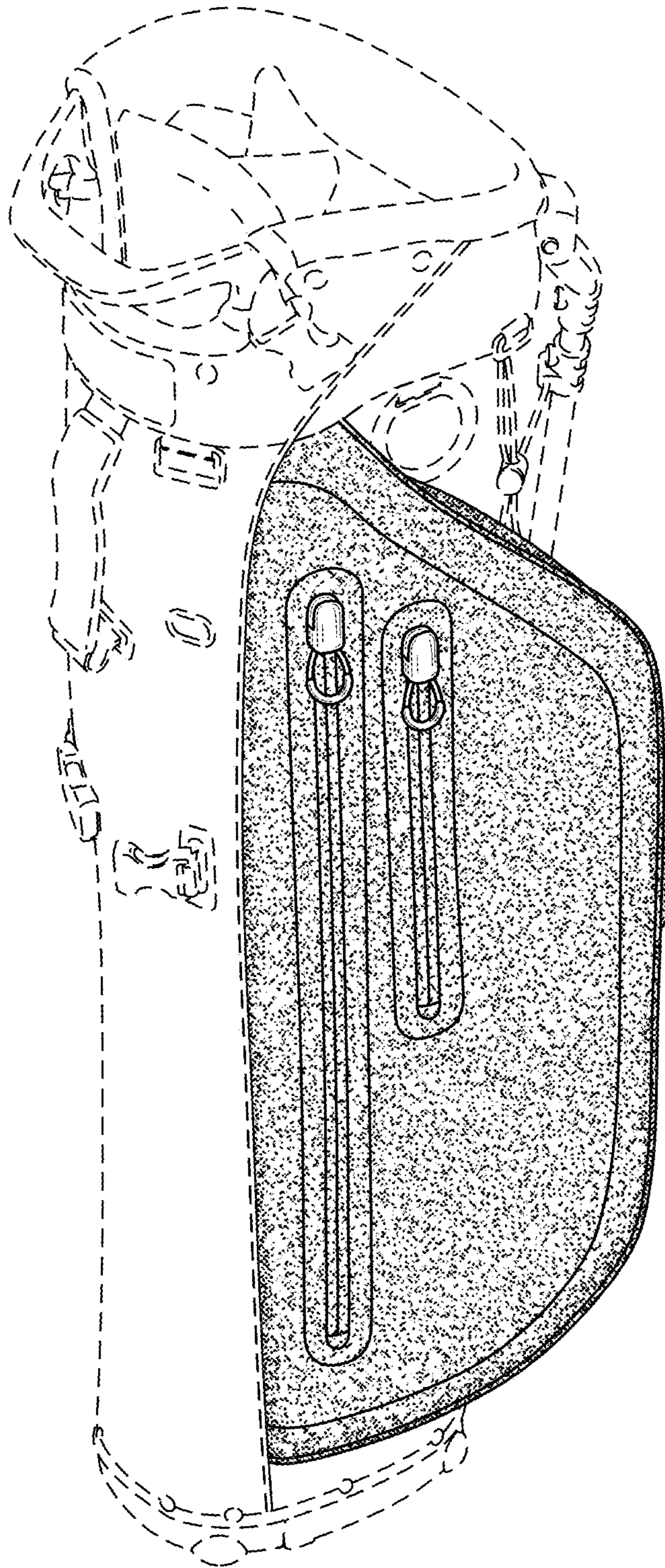


FIG. 1

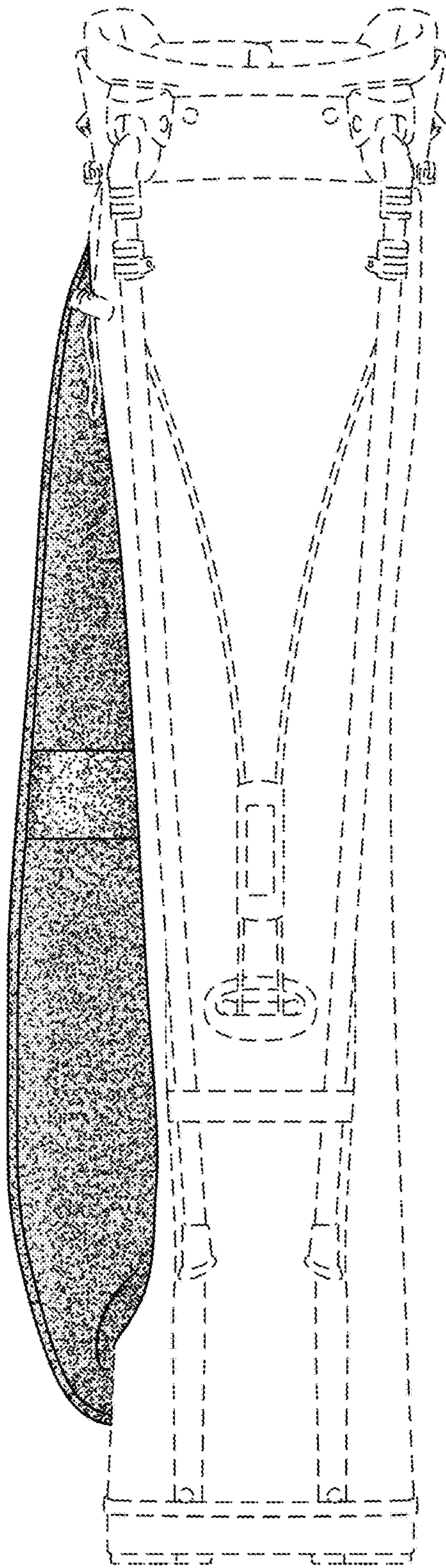


FIG. 2

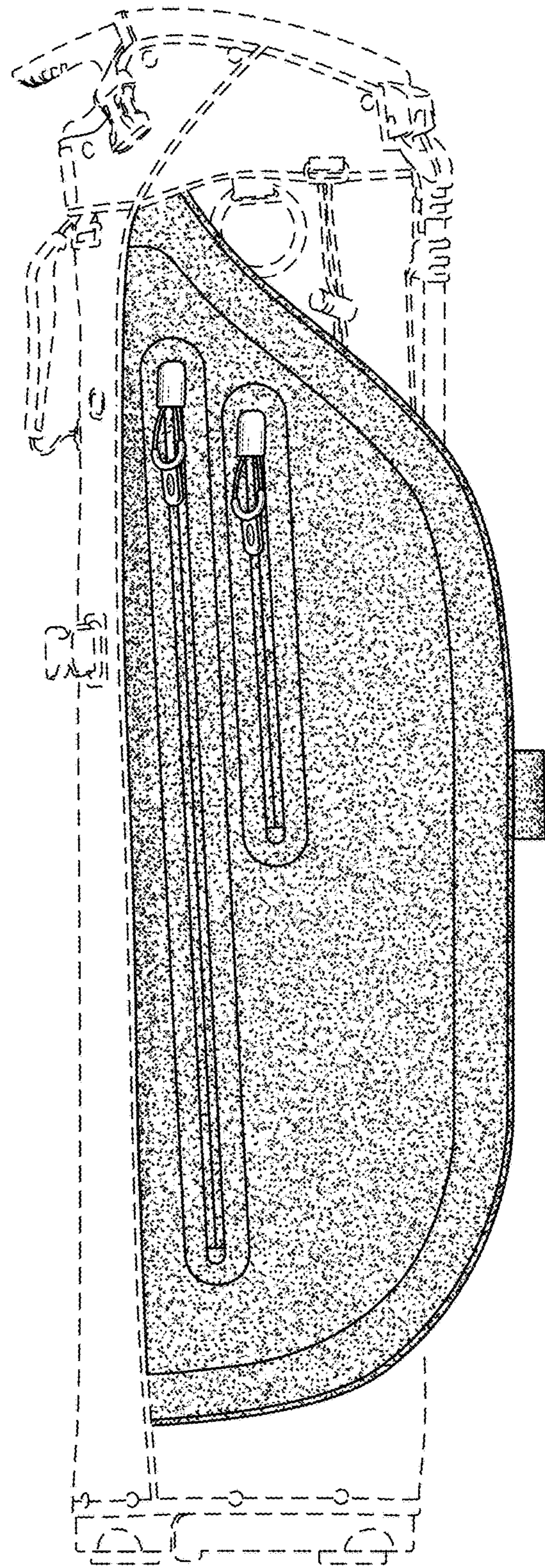


FIG. 3

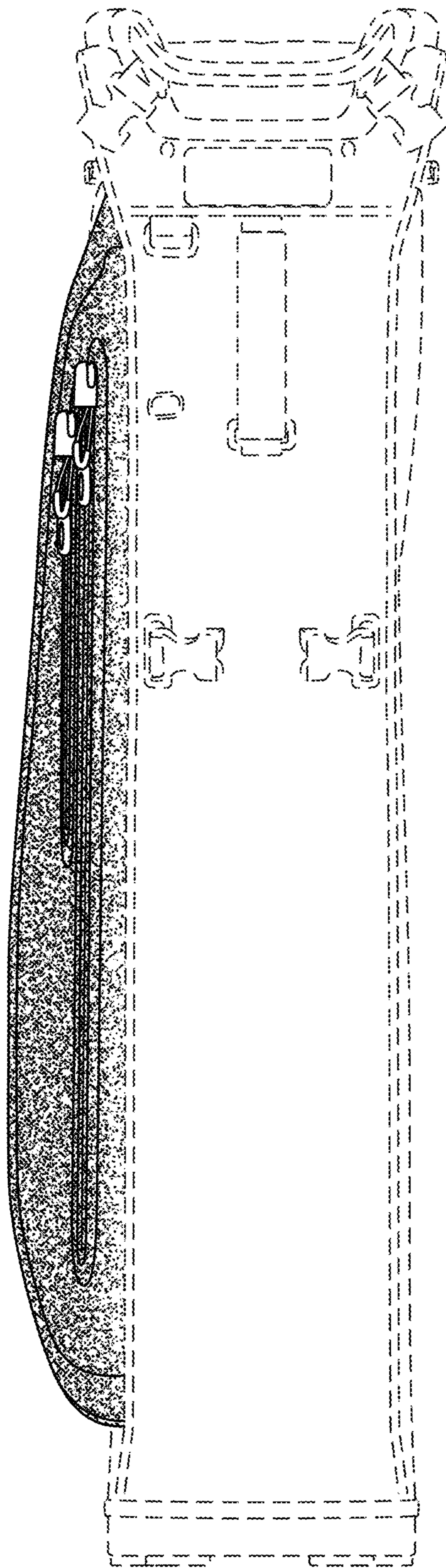


FIG. 4

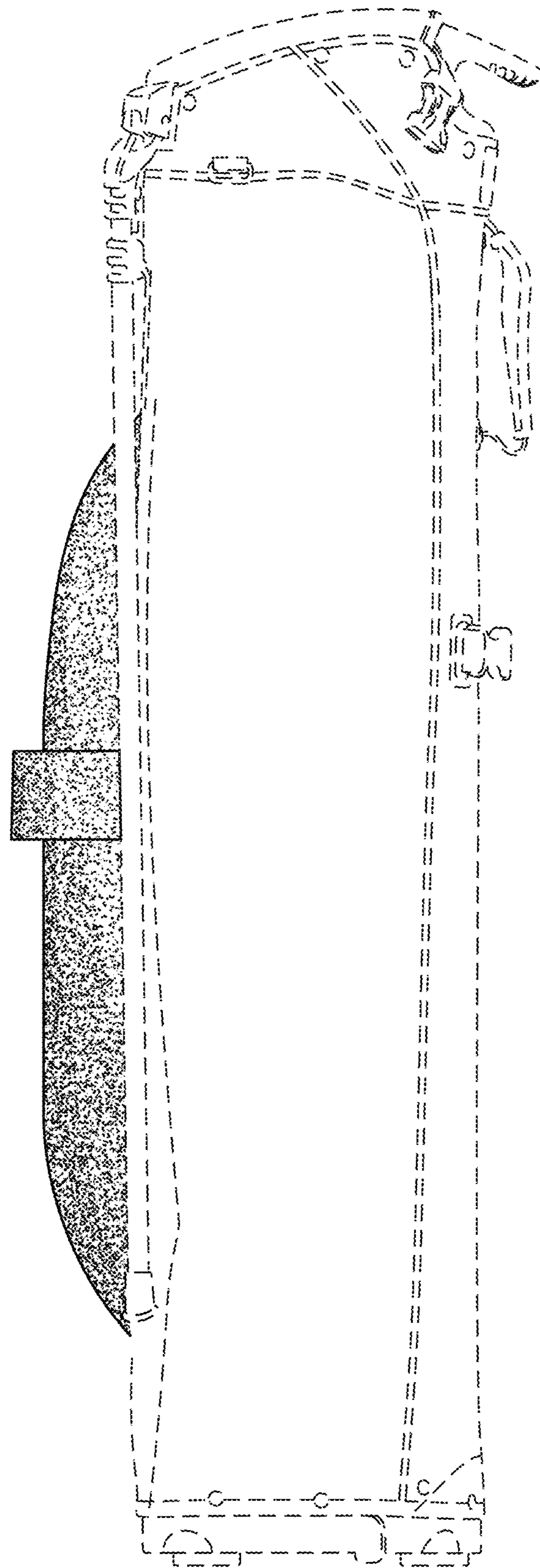


FIG. 5

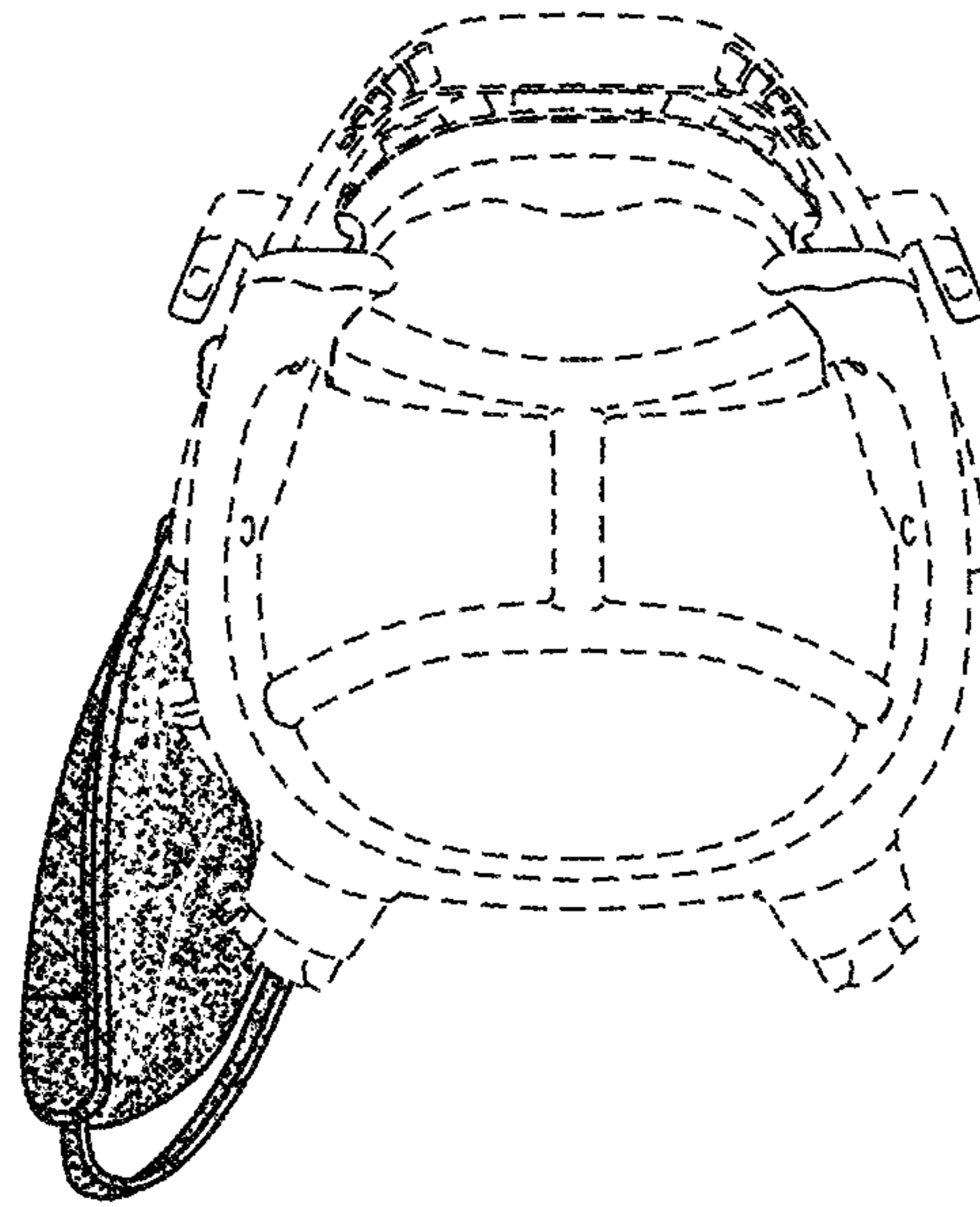


FIG. 6

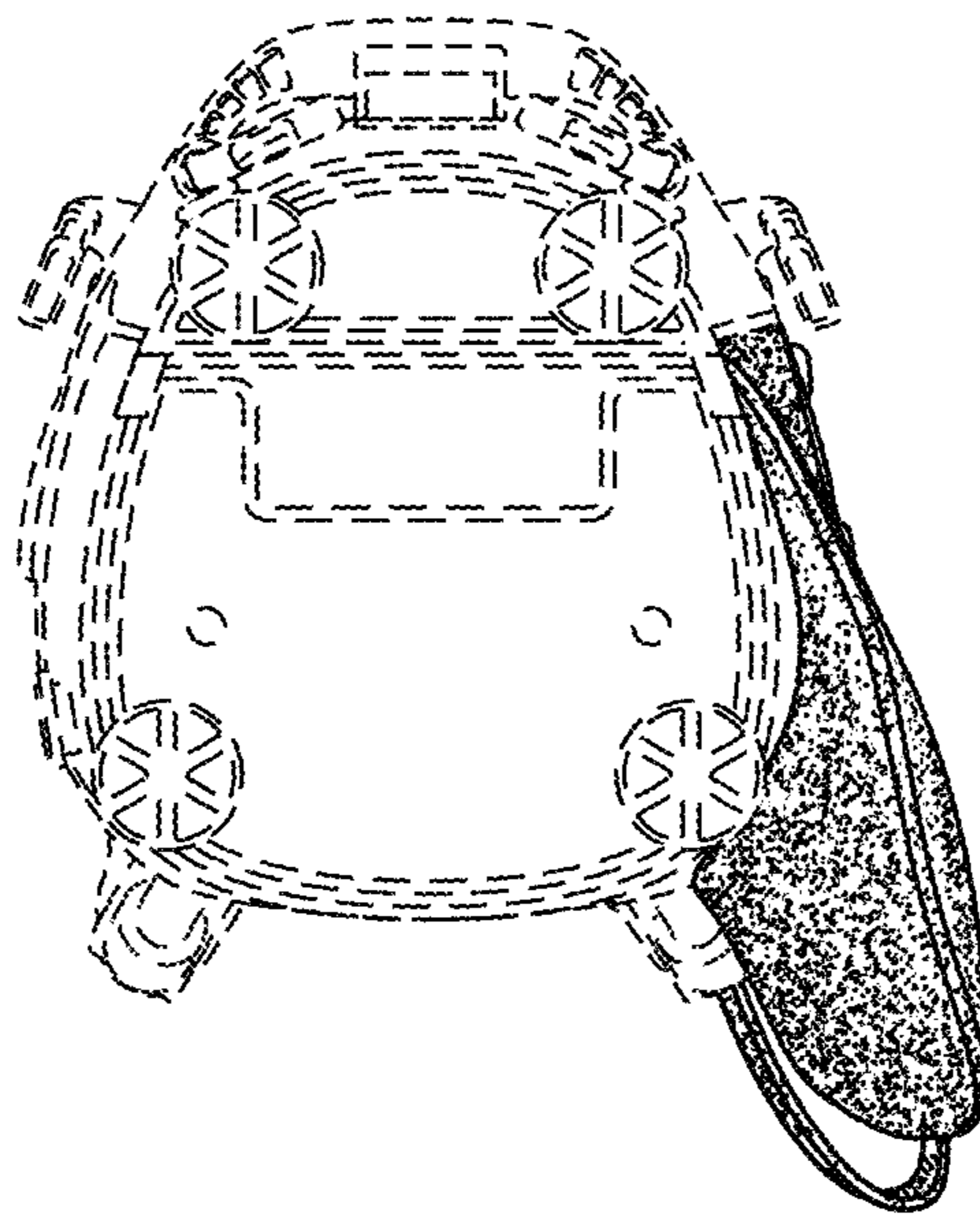


FIG. 7