



US00D895278S

(12) **United States Design Patent**  
**Moore**

(10) **Patent No.:** **US D895,278 S**

(45) **Date of Patent:** **\*\* Sep. 8, 2020**

(54) **CLUTCH BAG**

(71) Applicant: **Rodney James Moore**, Sandy Springs,  
GA (US)

(72) Inventor: **Rodney James Moore**, Sandy Springs,  
GA (US)

(\*\*) Term: **15 Years**

(21) Appl. No.: **29/697,179**

(22) Filed: **Jul. 4, 2019**

(51) **LOC (12) Cl.** ..... **03-01**

(52) **U.S. Cl.**  
USPC ..... **D3/252**

(58) **Field of Classification Search**  
USPC ..... D3/247, 249–253  
CPC ..... A45C 1/024; A45C 3/06; A45C 3/08  
See application file for complete search history.

(56) **References Cited**

**U.S. PATENT DOCUMENTS**

D380,295 S \* 7/1997 Morris ..... D3/243  
D411,764 S 7/1999 Vazquez  
D584,895 S \* 1/2009 Holzner ..... D3/247

D659,394 S \* 5/2012 Hebert ..... D3/247  
D759,377 S 6/2016 Hennessy  
D795,572 S \* 8/2017 Hance ..... D3/245  
D802,919 S 11/2017 Dumas  
D849,396 S 5/2019 Moscoso et al.

\* cited by examiner

*Primary Examiner* — Holly H Baynham

(74) *Attorney, Agent, or Firm* — J. T. Hollin, Jr.

(57) **CLAIM**

I claim the ornamental design for a clutch bag, as shown and described.

**DESCRIPTION**

FIG. 1 illustrates a perspective view of the front of the clutch bag according to my design.

FIG. 2 is a direct view of the left side of the clutch bag, relative to FIG. 1.

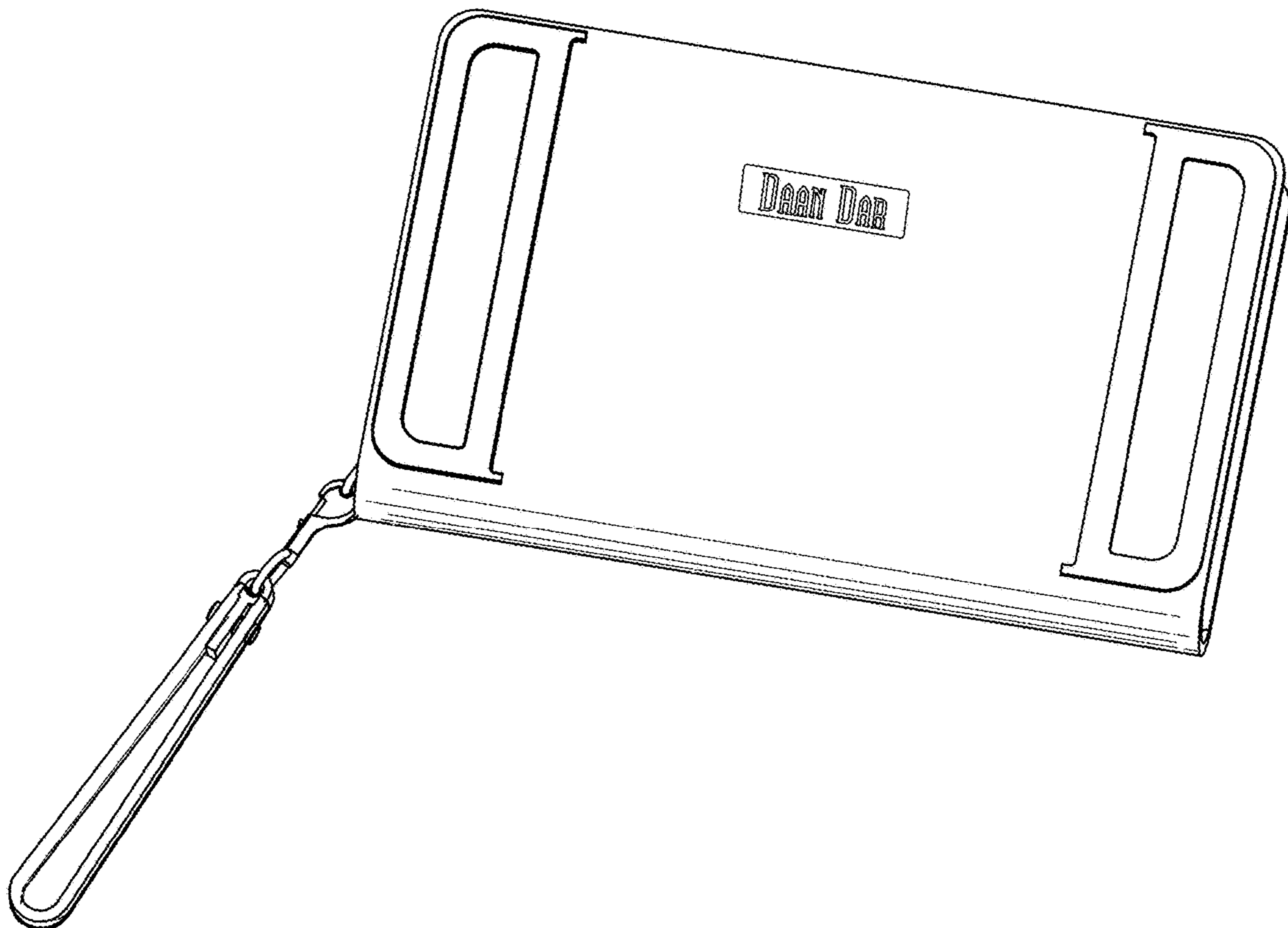
FIG. 3 presents a view of the right side of the clutch bag, relative to FIG. 1.

FIG. 4 is a view of the bottom of the clutch bag, relative to FIG. 1.

FIG. 5 is view of the top of the clutch bag; and,

FIG. 6 is a plan view of the back of the clutch bag.

**1 Claim, 4 Drawing Sheets**



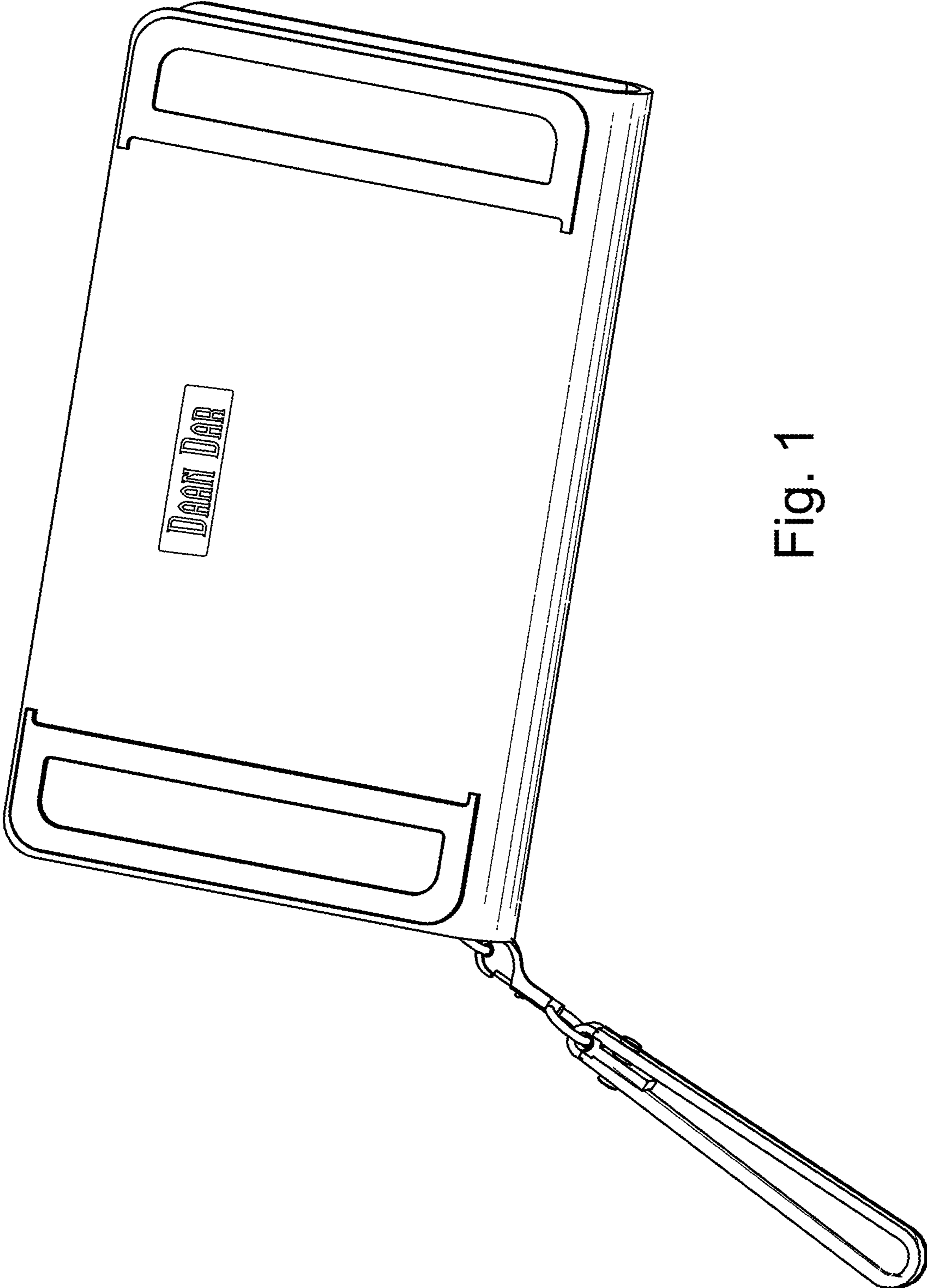


Fig. 1

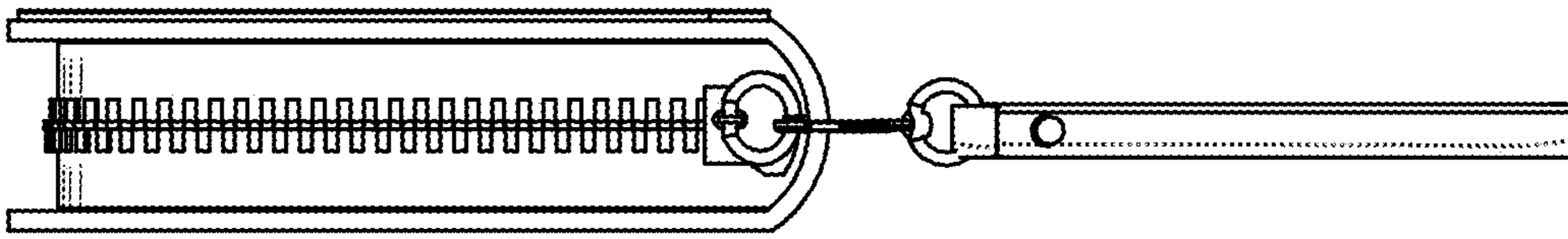


Fig. 3

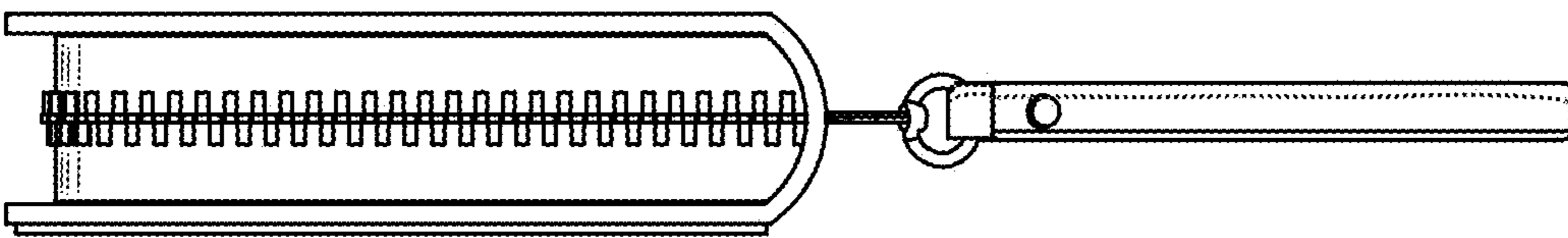


Fig. 2

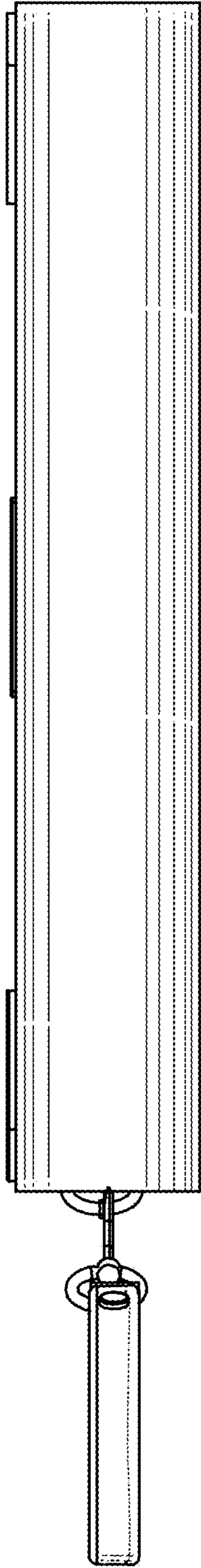


Fig. 4

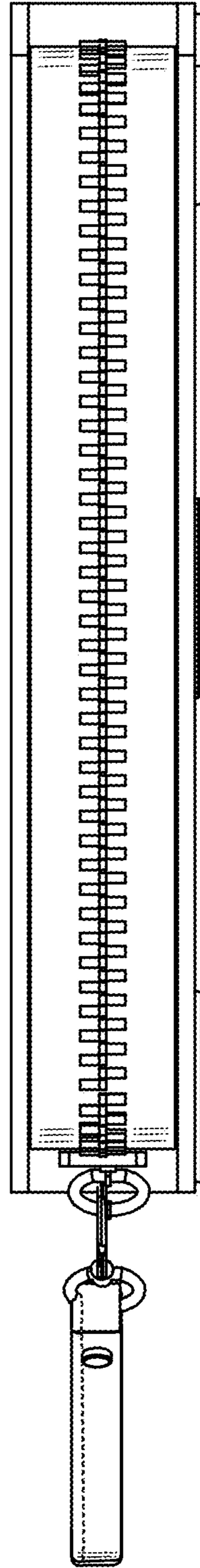


Fig. 5

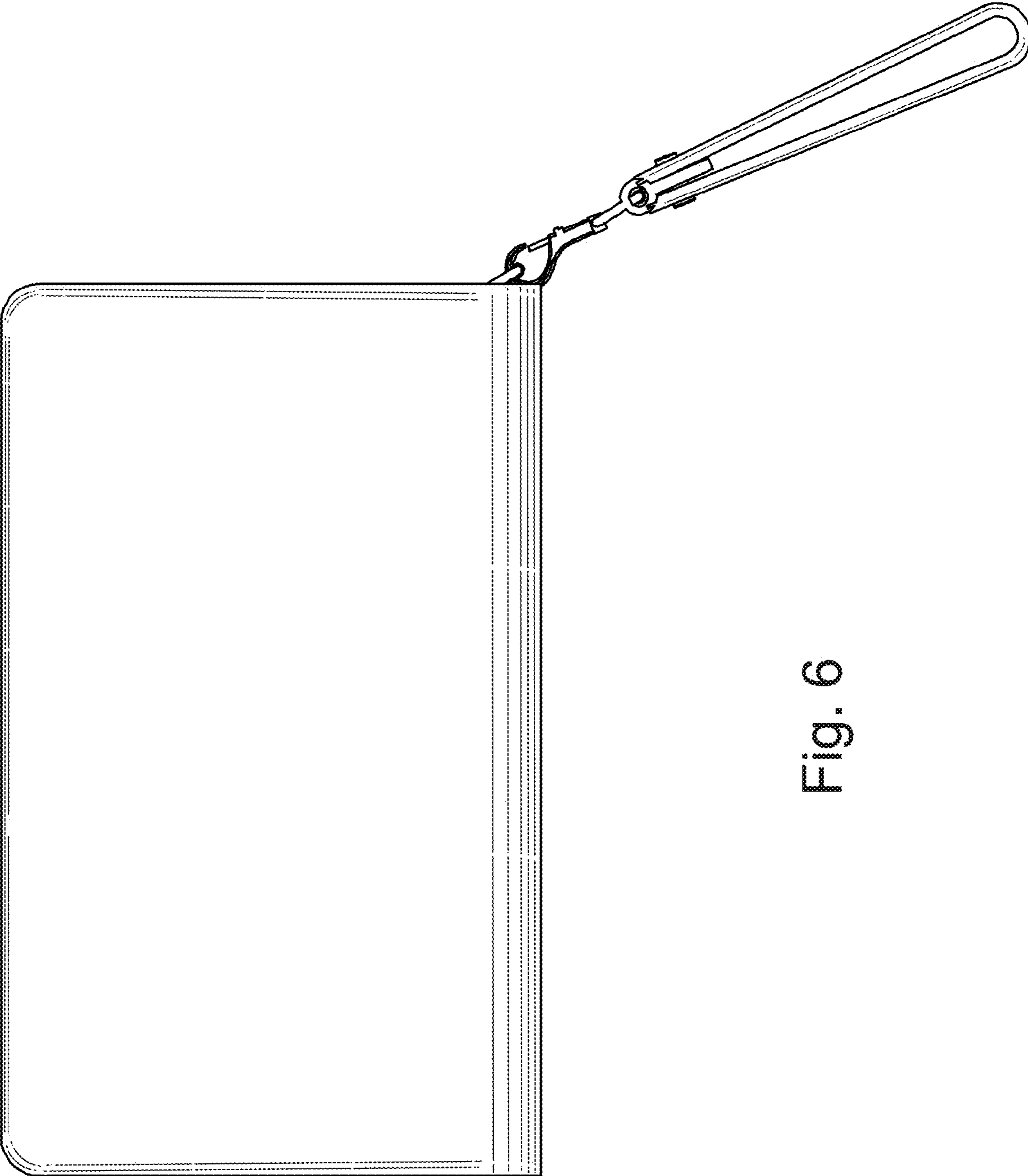


Fig. 6