



US00D895275S

(12) **United States Design Patent**
Zhang

(10) **Patent No.:** **US D895,275 S**

(45) **Date of Patent:** **** Sep. 8, 2020**

(54) **LAPTOP TOTE BAG**

(71) Applicant: **Pan Zhang**, Guangdong (CN)

(72) Inventor: **Pan Zhang**, Guangdong (CN)

(73) Assignee: **Pan Zhang**, Shenzhen, Guangdong (CN)

(**) Term: **15 Years**

(21) Appl. No.: **29/730,103**

(22) Filed: **Apr. 1, 2020**

(51) **LOC (12) Cl.** **03-01**

(52) **U.S. Cl.**
USPC **D3/245**

(58) **Field of Classification Search**
USPC D3/232-233, 240-243, 245-246
CPC A45C 1/024; A45C 3/06
See application file for complete search history.

(56) **References Cited**

U.S. PATENT DOCUMENTS

- D572,472 S * 7/2008 Saconay-Duhart D3/246
- D587,010 S * 2/2009 Deck D3/246
- D785,325 S * 5/2017 Samrelius D3/246

- D787,823 S * 5/2017 Nair D3/232
- D789,080 S * 6/2017 Caffagni D3/232
- D824,665 S * 8/2018 Spaziani D3/232

* cited by examiner

Primary Examiner — Holly H Baynham

(74) *Attorney, Agent, or Firm* — Banner & Witcoff, Ltd.

(57) **CLAIM**

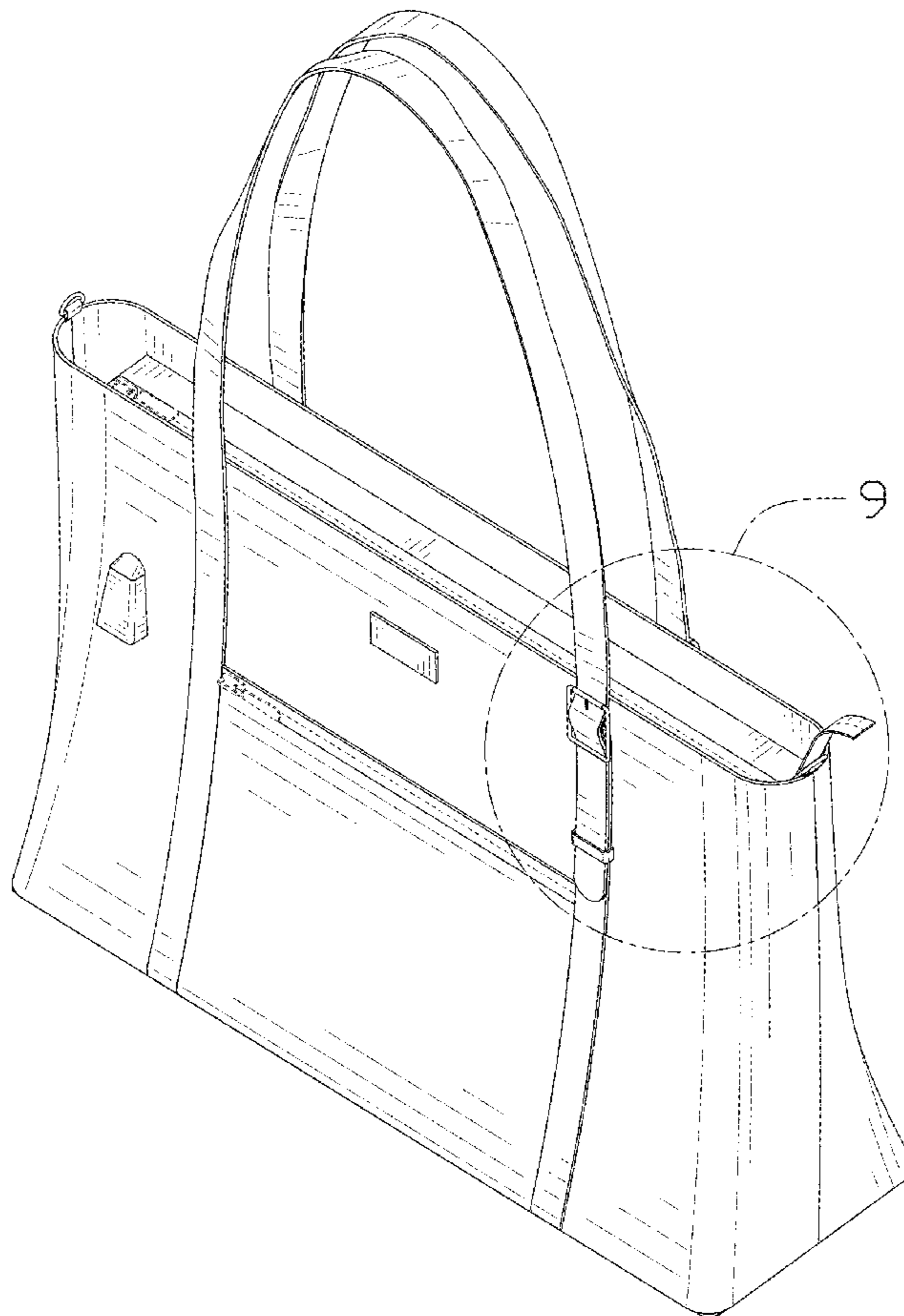
The ornamental design for a laptop tote bag, as shown and described.

DESCRIPTION

FIG. 1 is a side perspective view of the new design of a laptop tote bag according to an embodiment;
 FIG. 2 is another side perspective view thereof;
 FIG. 3 is a front elevation view thereof;
 FIG. 4 is a rear elevation view thereof;
 FIG. 5 is a left side view thereof;
 FIG. 6 is a right side view thereof;
 FIG. 7 is a top view thereof;
 FIG. 8 is a bottom view thereof; and,
 FIG. 9 is a partially enlarged view thereof, illustrating a portion of the laptop tote bag identified by reference numeral 9 in FIG. 1.

The broken (dashed) lines show portions of the laptop tote bag that form no part of the claimed design.

1 Claim, 9 Drawing Sheets



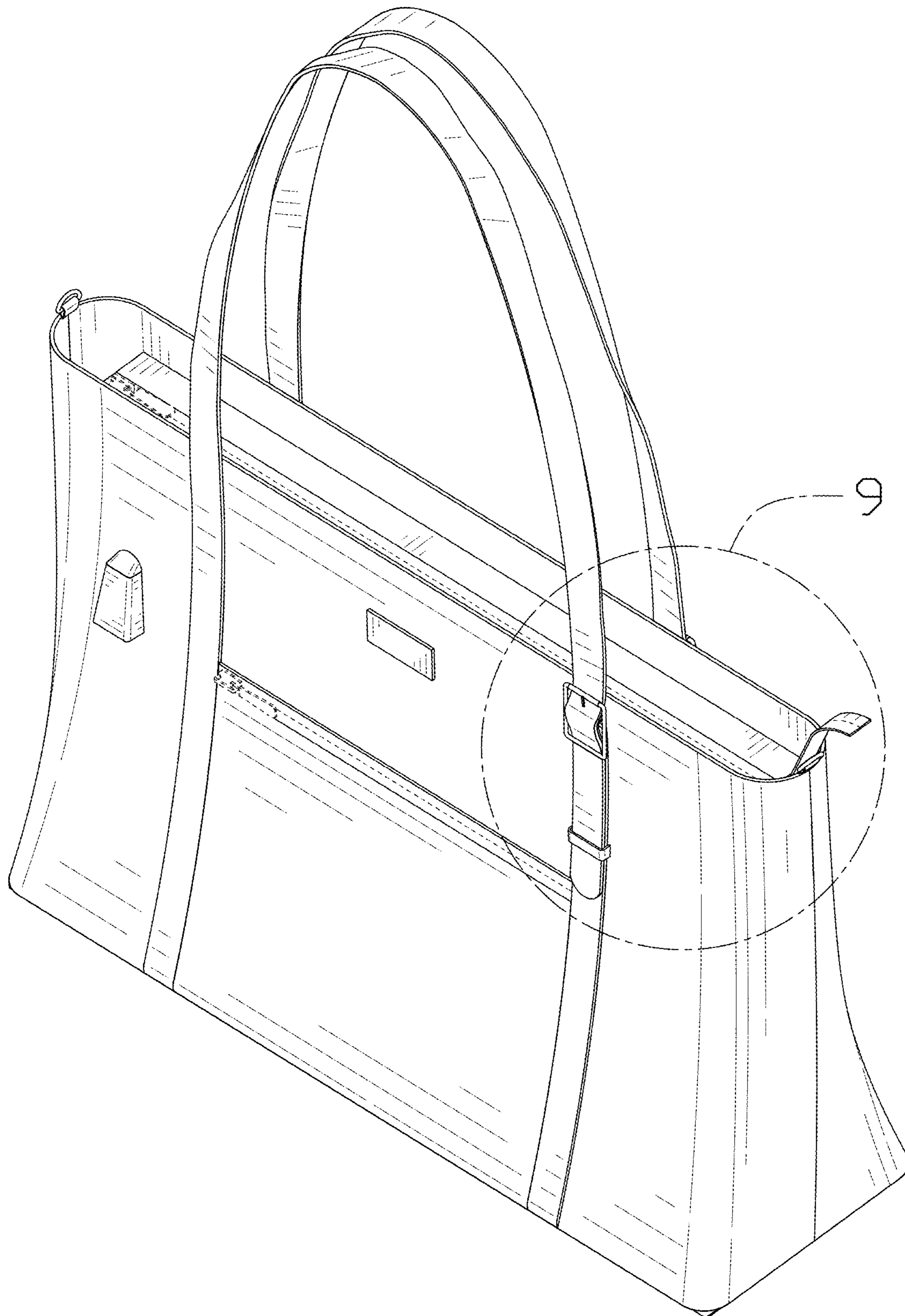


FIG. 1

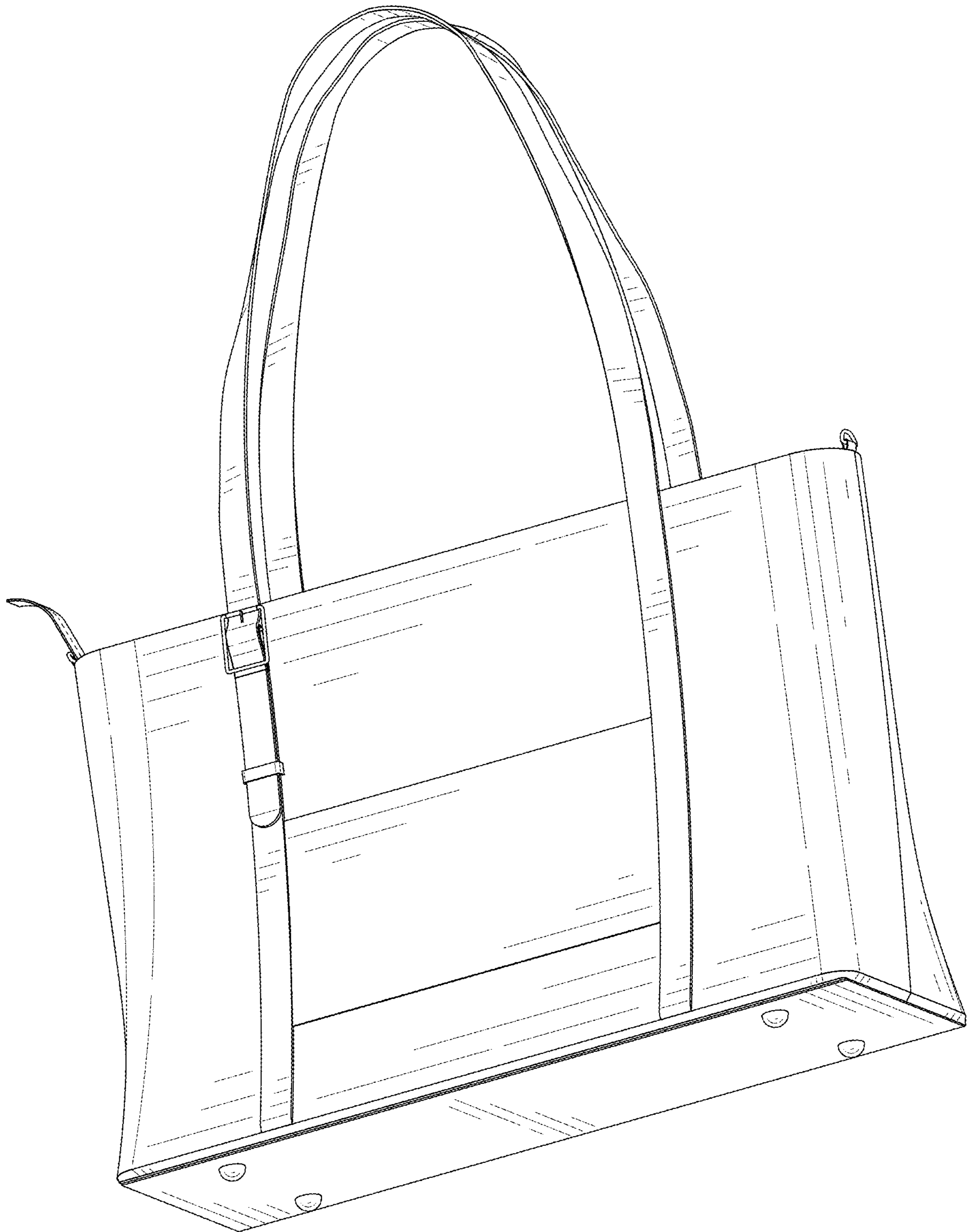


FIG. 2

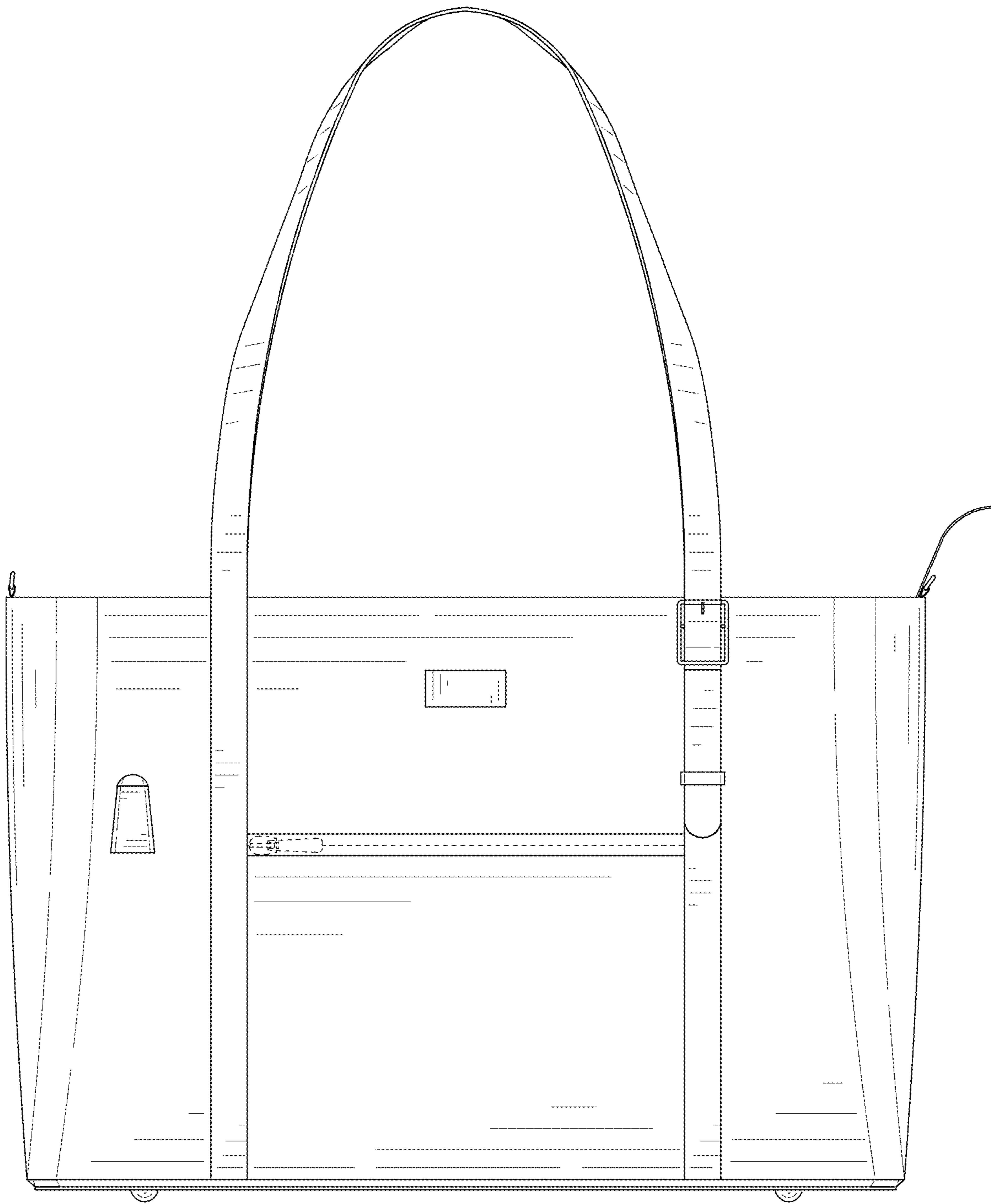


FIG. 3

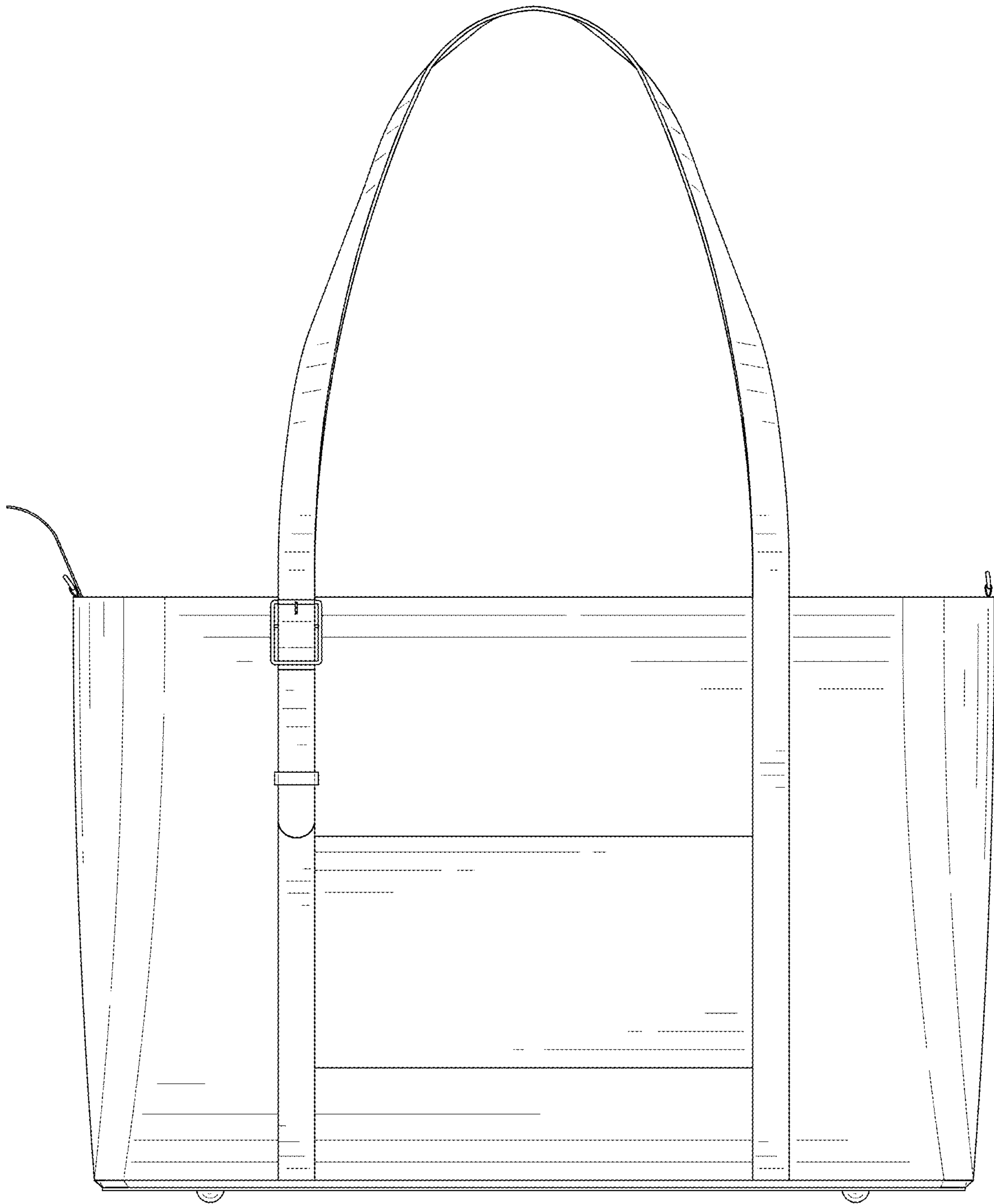


FIG. 4

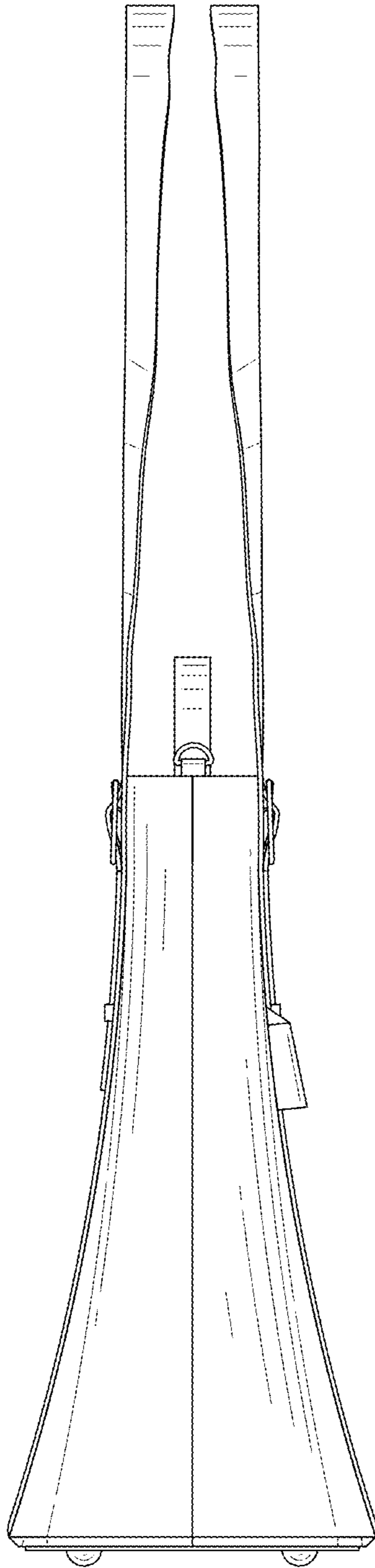


FIG. 5

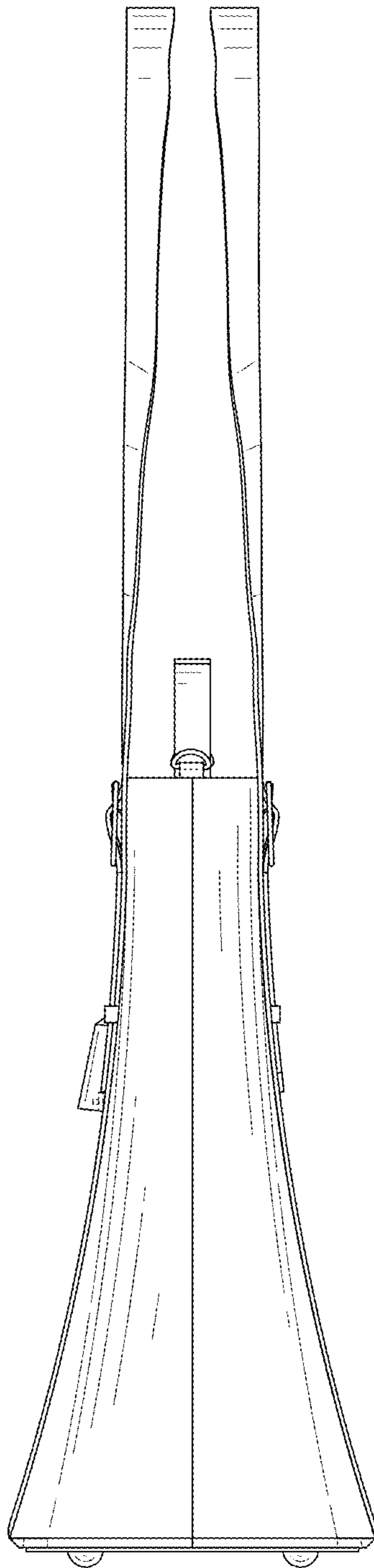


FIG. 6

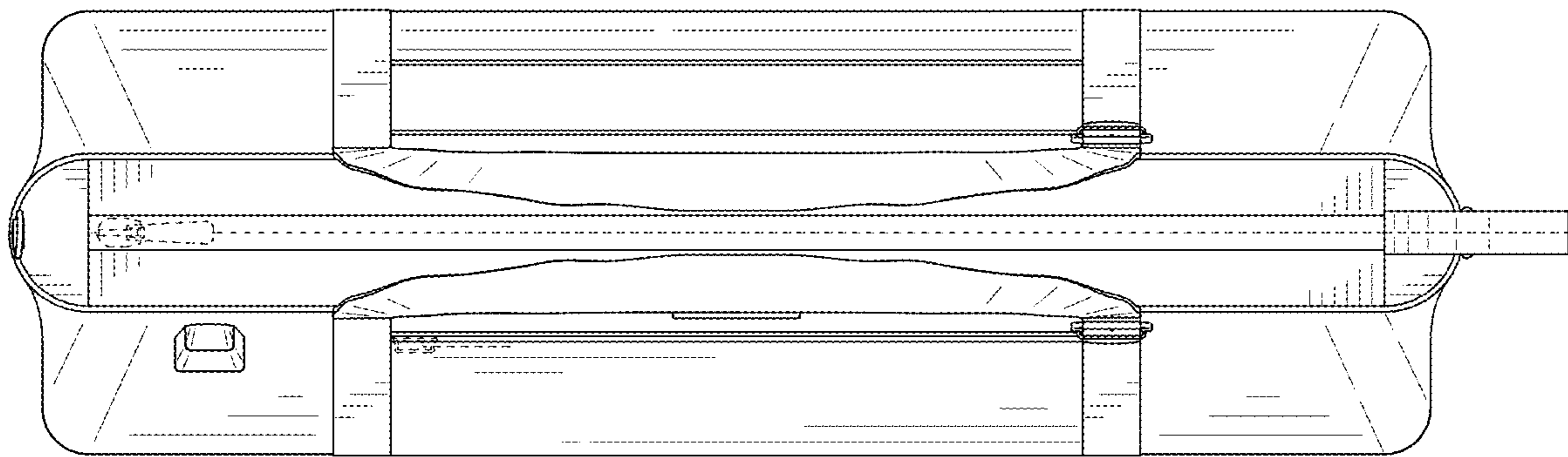


FIG. 7

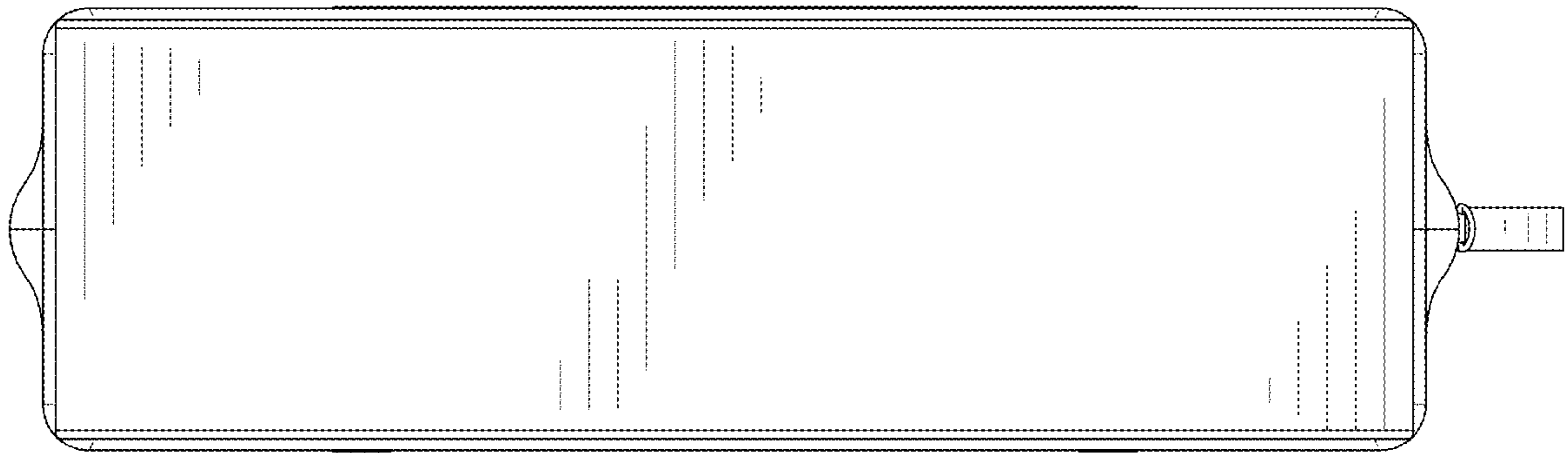


FIG. 8

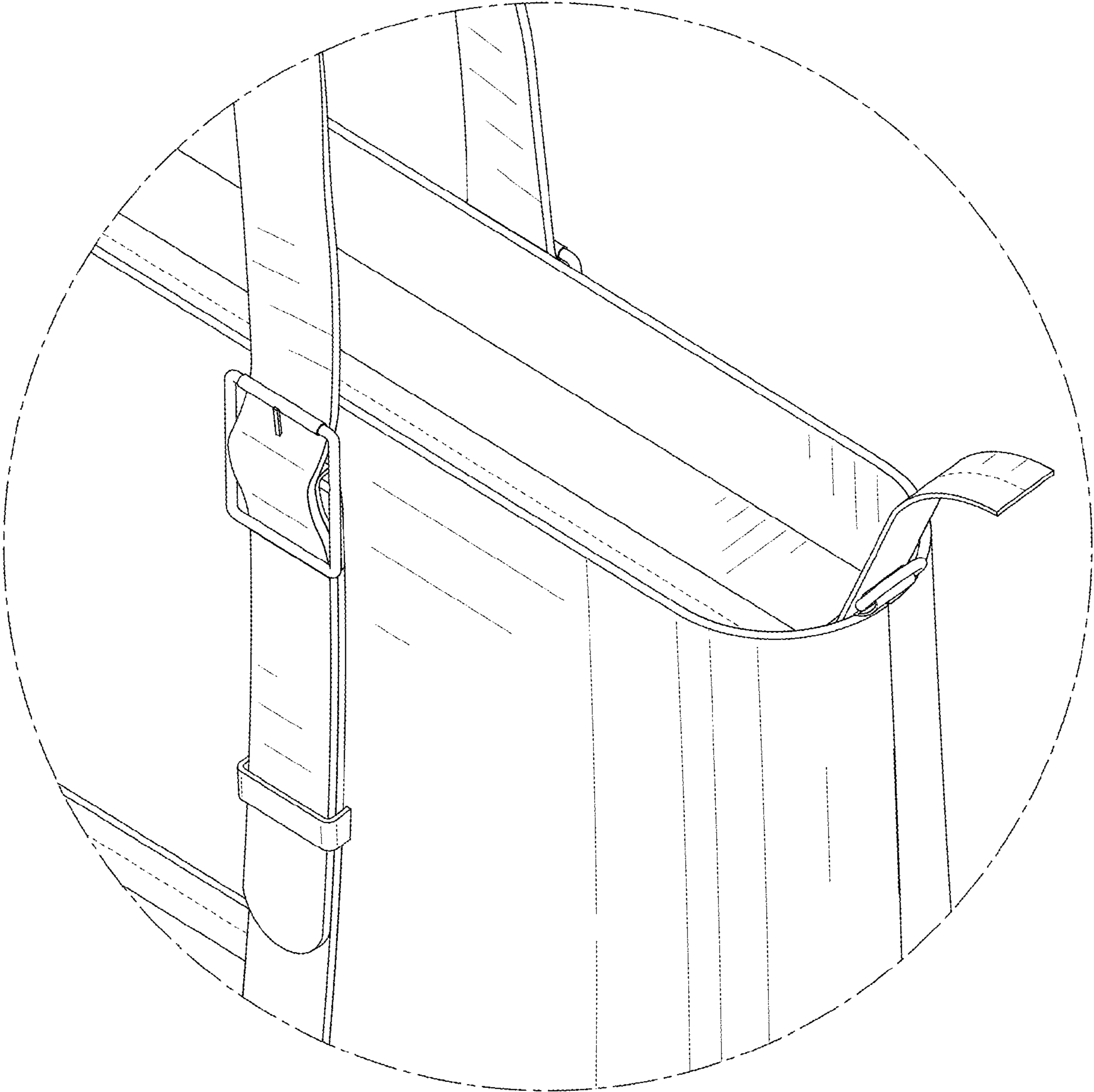


FIG. 9