



US00D895272S

(12) **United States Design Patent**
Zhitian

(10) **Patent No.:** **US D895,272 S**

(45) **Date of Patent:** **** Sep. 8, 2020**

(54) **DIAPER BAG**

(71) Applicant: **Wang Zhitian**, Guangzhou (CN)

(72) Inventor: **Wang Zhitian**, Guangzhou (CN)

(**) Term: **15 Years**

(21) Appl. No.: **29/718,839**

(22) Filed: **Dec. 30, 2019**

(51) **LOC (12) Cl.** **03-01**

(52) **U.S. Cl.**
USPC **D3/217**

(58) **Field of Classification Search**
USPC D3/216, 217
CPC A45F 3/04; A45F 4/02
See application file for complete search history.

(56) **References Cited**

U.S. PATENT DOCUMENTS

D340,351 S	*	10/1993	Wrath	D3/217
D458,750 S		6/2002	Crandall		
D468,534 S		1/2003	Crandall		
D787,816 S	*	5/2017	Slimane	D3/217
D799,815 S	*	10/2017	Tong	D3/217
D802,295 S	*	11/2017	Wu	D3/217
D819,959 S		6/2018	Choi		
D833,141 S	*	11/2018	Carter	D3/217

D836,334 S	*	12/2018	Chung	A45C 13/26 D3/243
D843,107 S	*	3/2019	Swaggart	D3/217
D850,784 S	*	6/2019	Sassi	D3/217
D856,662 S	*	8/2019	Breines	D3/217
D872,992 S	*	1/2020	He	D3/217
D875,385 S	*	2/2020	Carter	D3/217
2002/0096409 A1	*	7/2002	Roegner	A45C 3/00 190/109

* cited by examiner

Primary Examiner — Jennifer L Watkins

(74) *Attorney, Agent, or Firm* — KA Filing LLC; Wayne V. Harper; Cynthia Flanigan

(57) **CLAIM**

I claim the ornamental design for a diaper bag, as shown and described.

DESCRIPTION

FIG. 1 is a Perspective view of a diaper bag showing my new design;

FIG. 2 is a Front view thereof;

FIG. 3 is a Back view thereof;

FIG. 4 is a Left-side view thereof;

FIG. 5 is a Right-side view thereof;

FIG. 6 is a Top view thereof; and,

FIG. 7 is a Bottom view thereof.

The broken lines depict stitching and portions of the article and form no part of the claim.

1 Claim, 7 Drawing Sheets



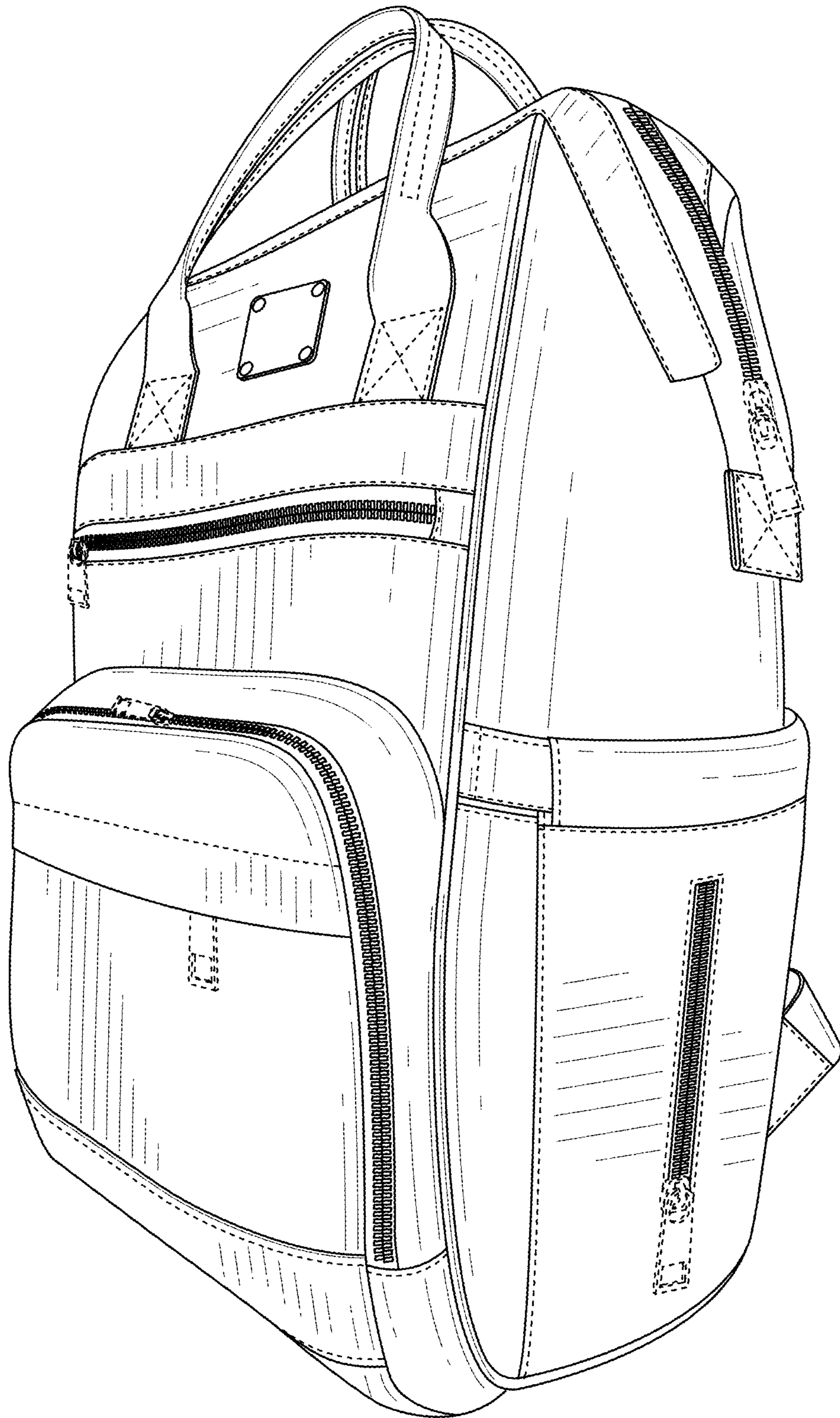


FIG. 1

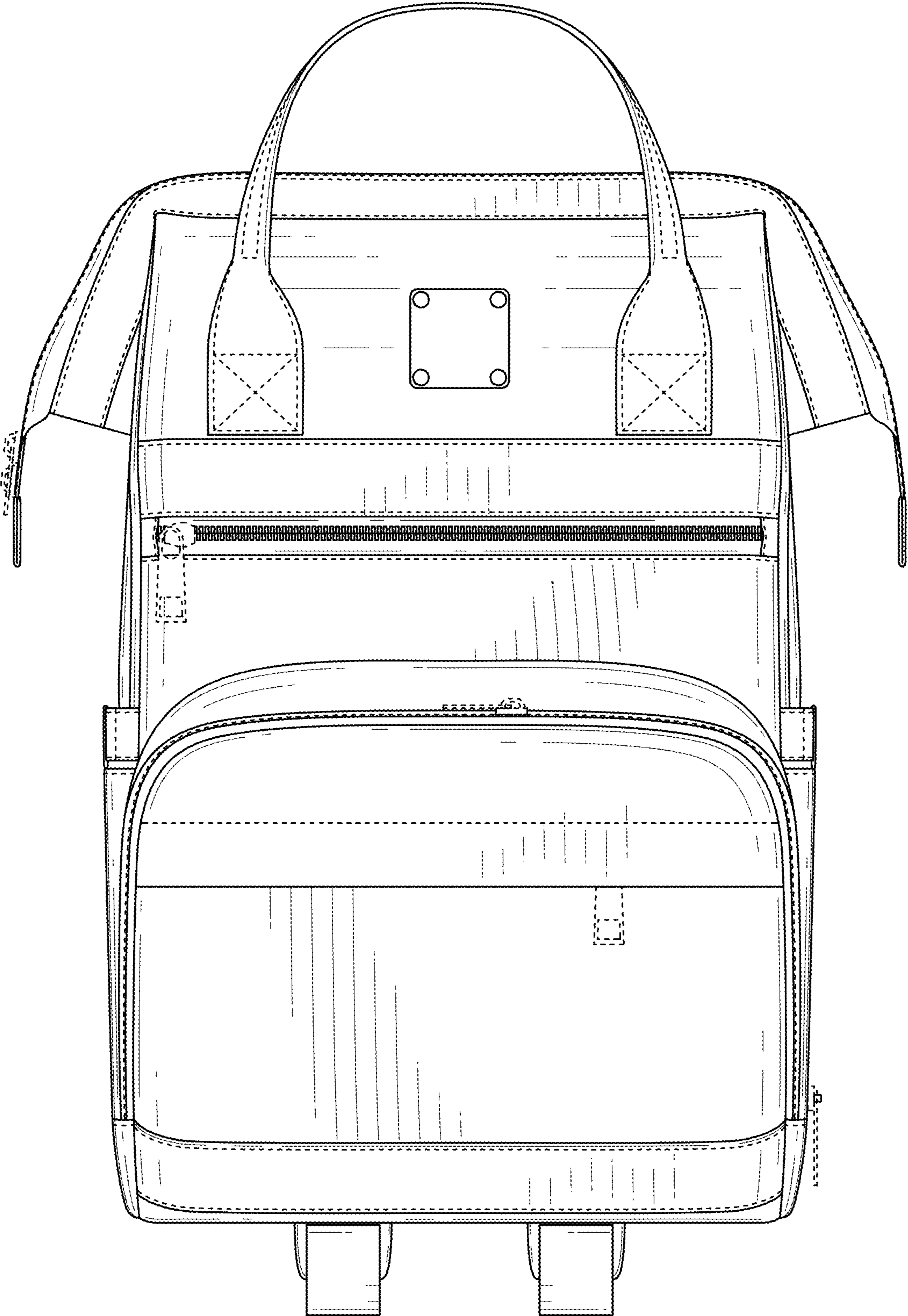


FIG. 2

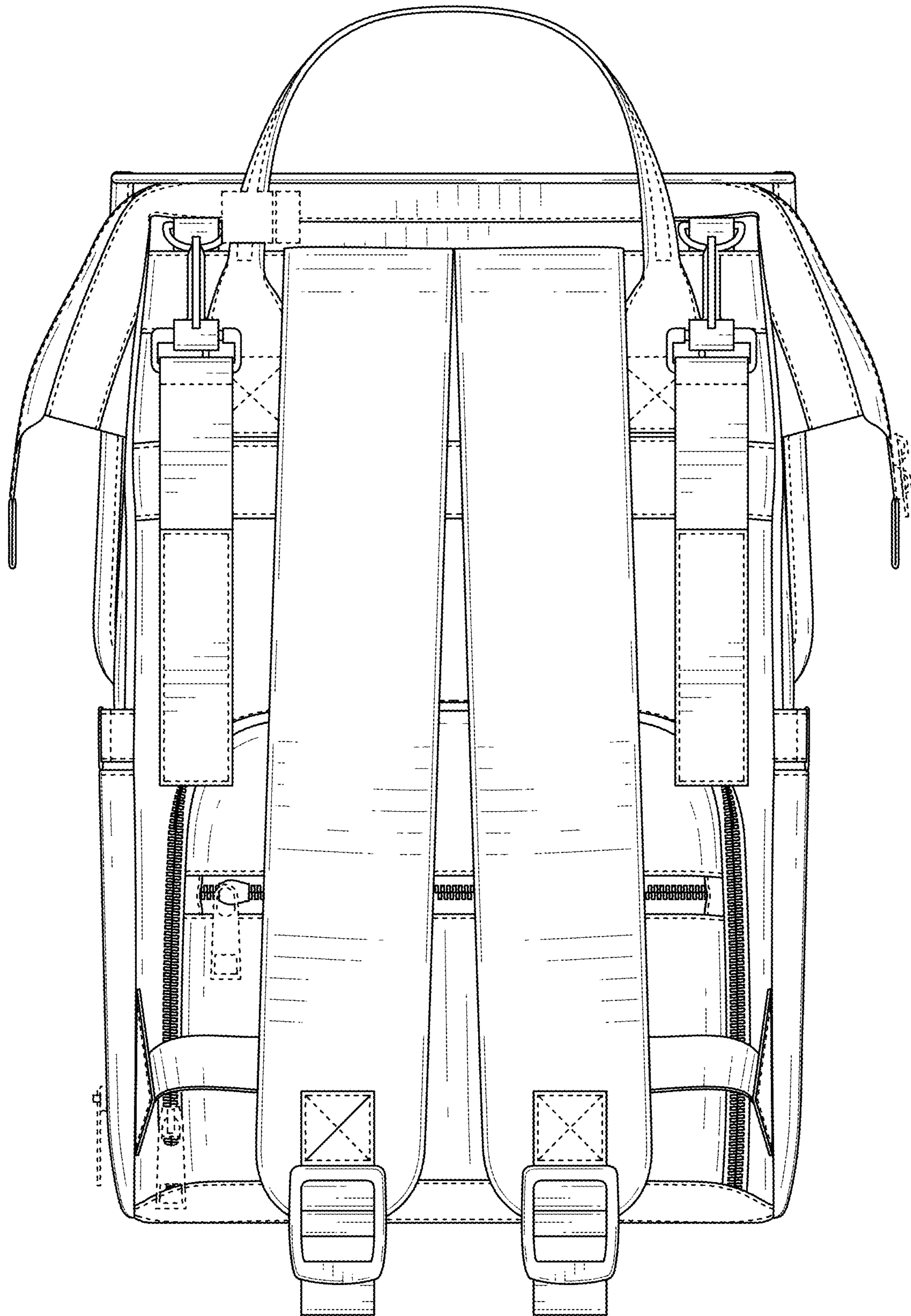


FIG. 3

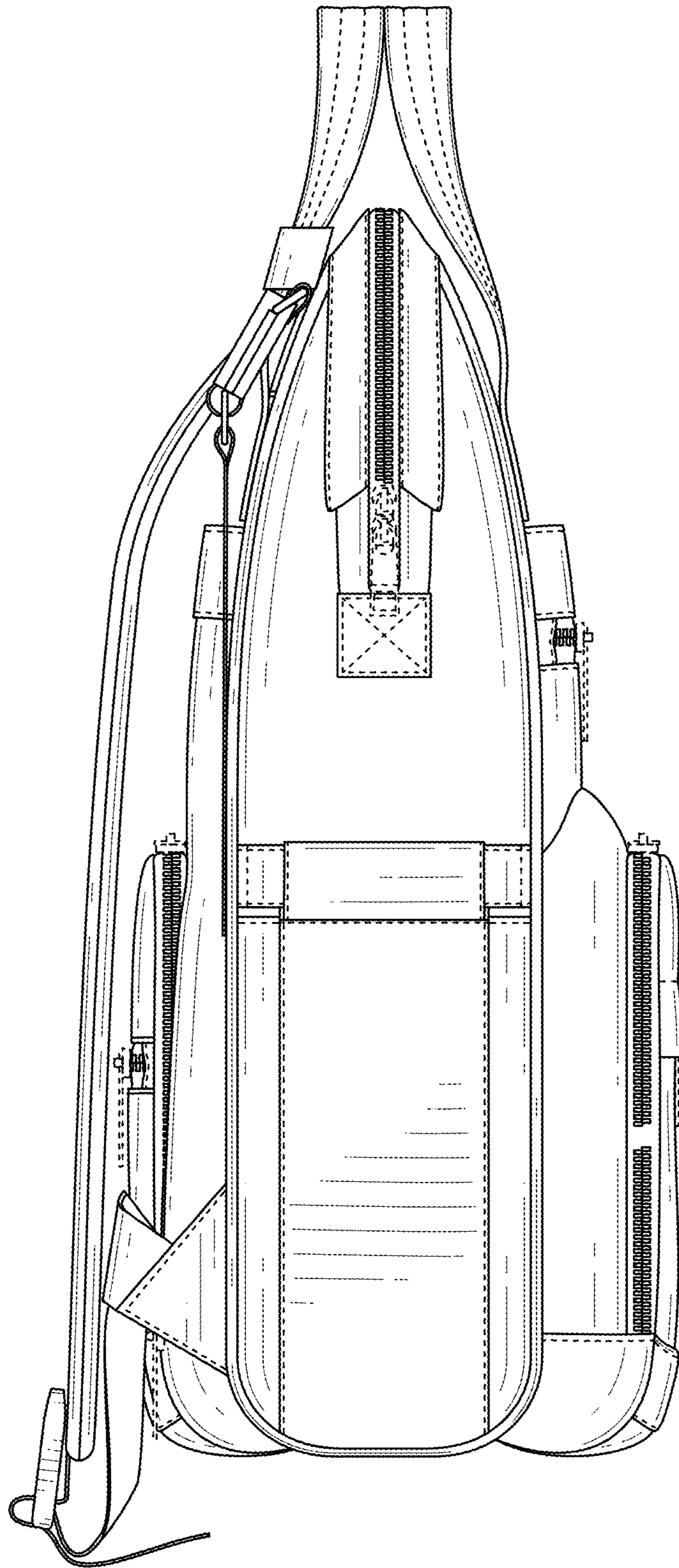


FIG. 4

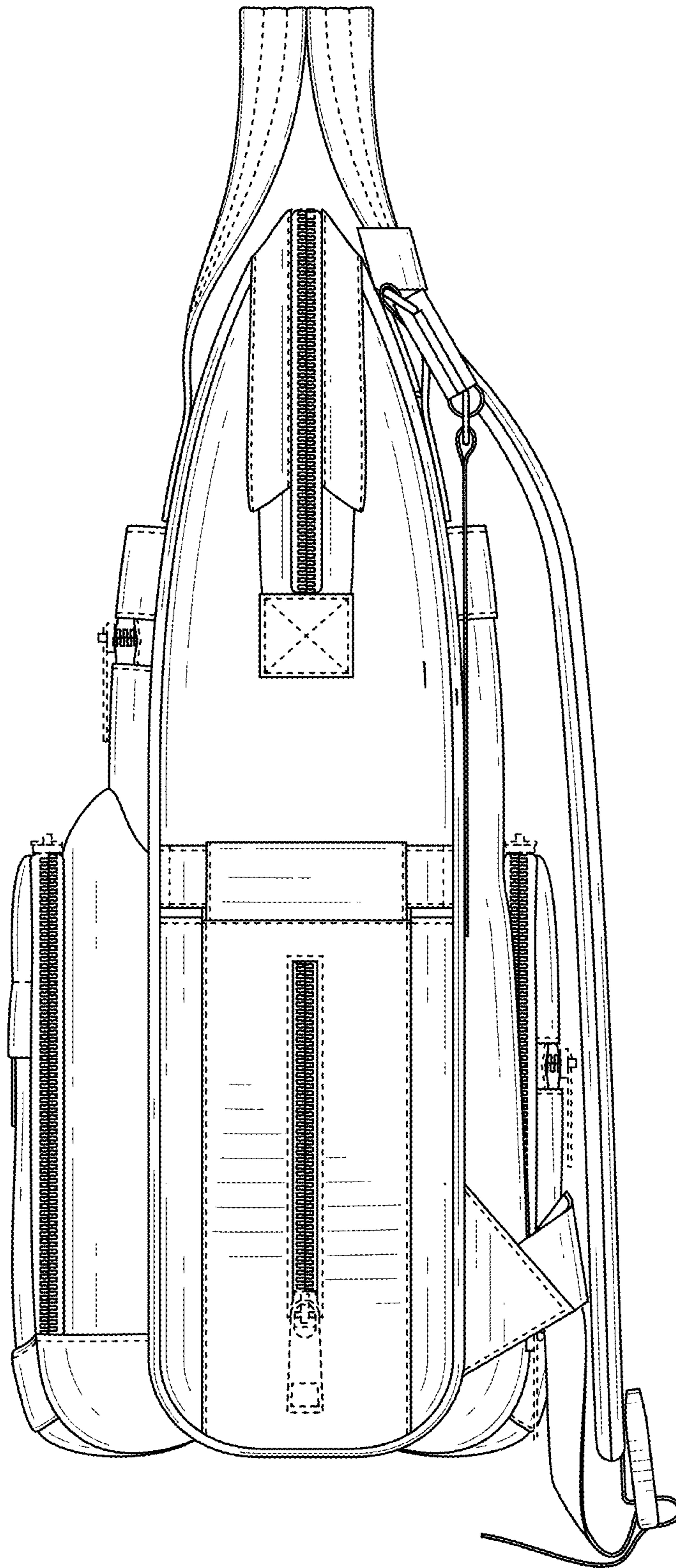


FIG. 5

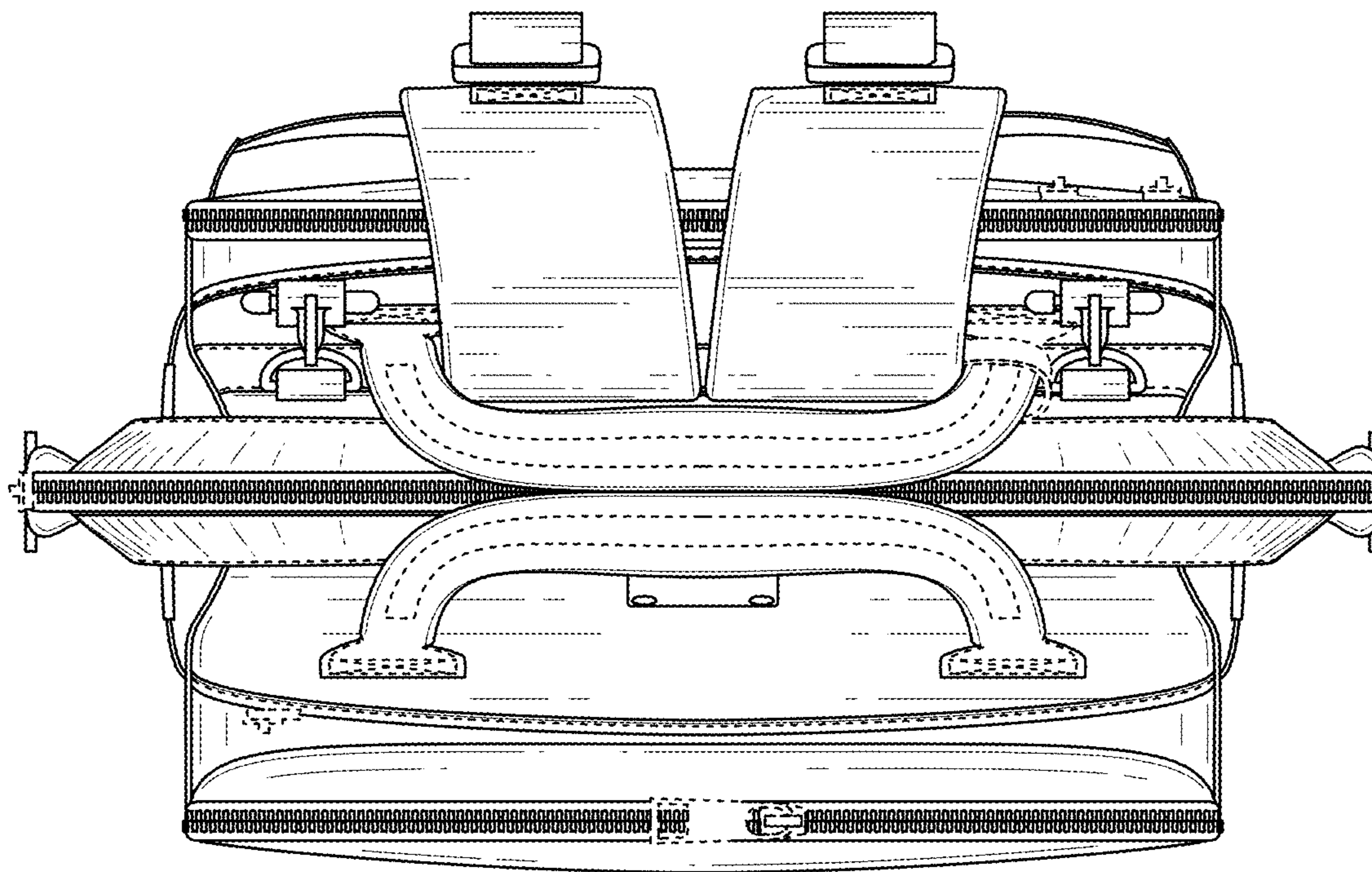


FIG. 6

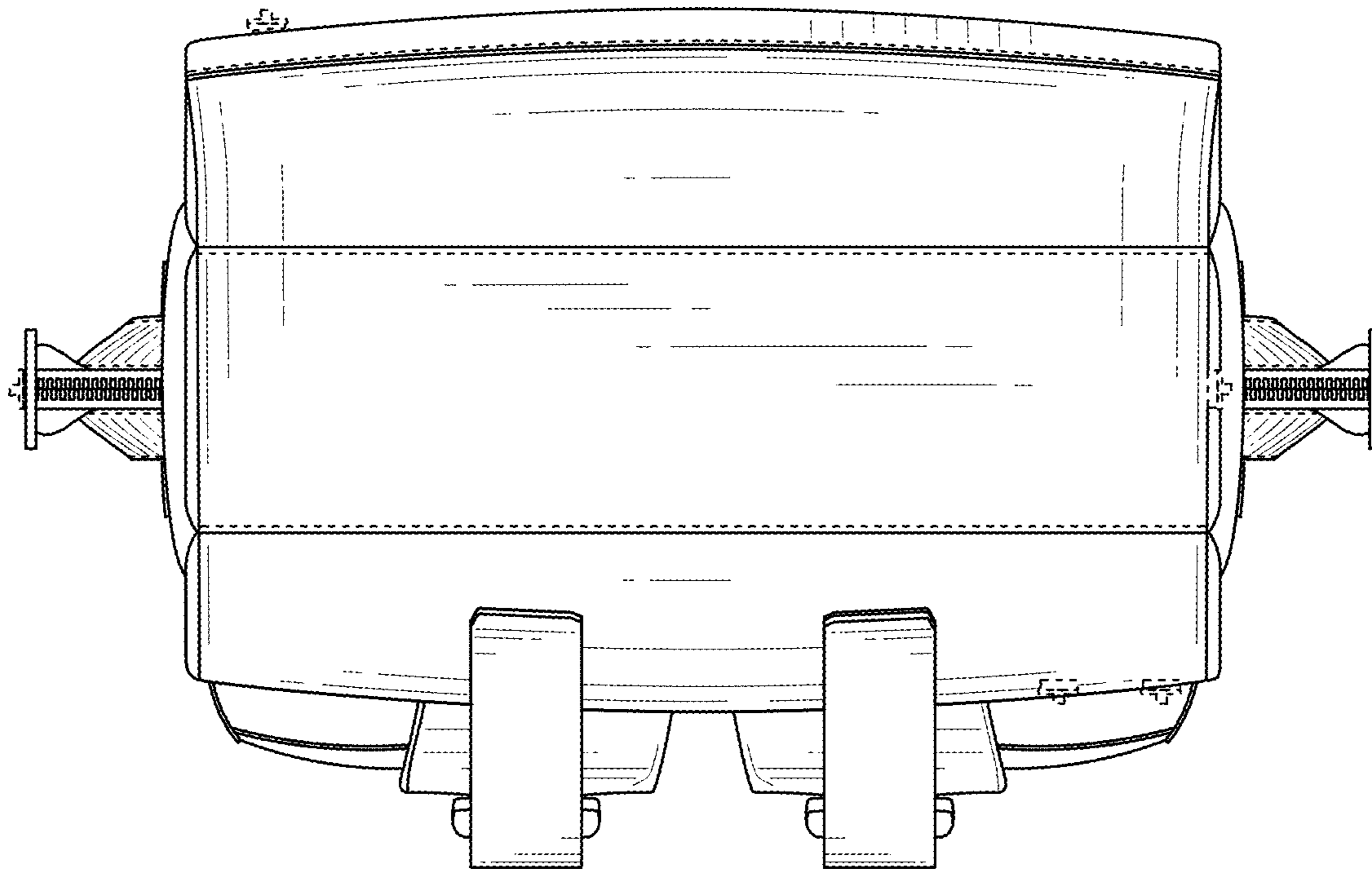


FIG. 7