



US00D895269S

(12) **United States Design Patent**
MacDowell et al.

(10) **Patent No.: US D895,269 S**

(45) **Date of Patent: ** Sep. 8, 2020**

(54) **WEARABLE VEST WITH HYDRATION
PACK**

(71) Applicant: **Bluemonic, LLC**, Santa Clara, CA
(US)

(72) Inventors: **Shannon Caret MacDowell**, Alameda,
CA (US); **Carey Julian Bond**,
Alameda, CA (US)

(73) Assignee: **BLUEMONIC, LLC**, Santa Clara, CA
(US)

(**) Term: **15 Years**

(21) Appl. No.: **29/679,408**

(22) Filed: **Feb. 5, 2019**

(51) **LOC (12) Cl.** **03-01**

(52) **U.S. Cl.**
USPC **D3/216**

(58) **Field of Classification Search**
USPC D3/201, 202, 213-217, 221, 254, 260,
D3/262, 273, 327; D29/101.3
CPC B63C 9/00; B63C 9/08; B63C 9/11; A45F
3/00; A45F 3/02; A45F 3/12; A45F 3/14;
A45F 3/16; A45F 4/00; A45F 4/02; A45F
2003/166

See application file for complete search history.

(56) **References Cited**

U.S. PATENT DOCUMENTS

1,334,582 A * 3/1920 Archibald A45F 3/06
224/181
3,679,108 A * 7/1972 Ingram A45F 3/04
224/644
4,526,298 A * 7/1985 Boxer A45F 3/16
222/130
4,544,087 A * 10/1985 Modig A45F 3/16
224/148.2
D316,472 S * 4/1991 Flanagan D2/829

5,060,833 A * 10/1991 Edison A45F 3/16
215/388
D338,999 S * 9/1993 Desmith D29/101.1
5,427,290 A * 6/1995 Thatcher A45F 3/04
224/148.2
5,465,425 A * 11/1995 Crispin A41D 13/0012
2/102
D411,658 S * 6/1999 Stump D3/216
5,975,387 A * 11/1999 Gleason A45F 3/047
224/148.2
6,179,175 B1 * 1/2001 Painter A45F 3/08
224/153
6,216,932 B1 * 4/2001 Wu A45F 3/04
224/271

(Continued)

Primary Examiner — Mitchell I. Siegel

(74) *Attorney, Agent, or Firm* — Northstar Law Group;
Thomas J. Bassolino

(57) **CLAIM**

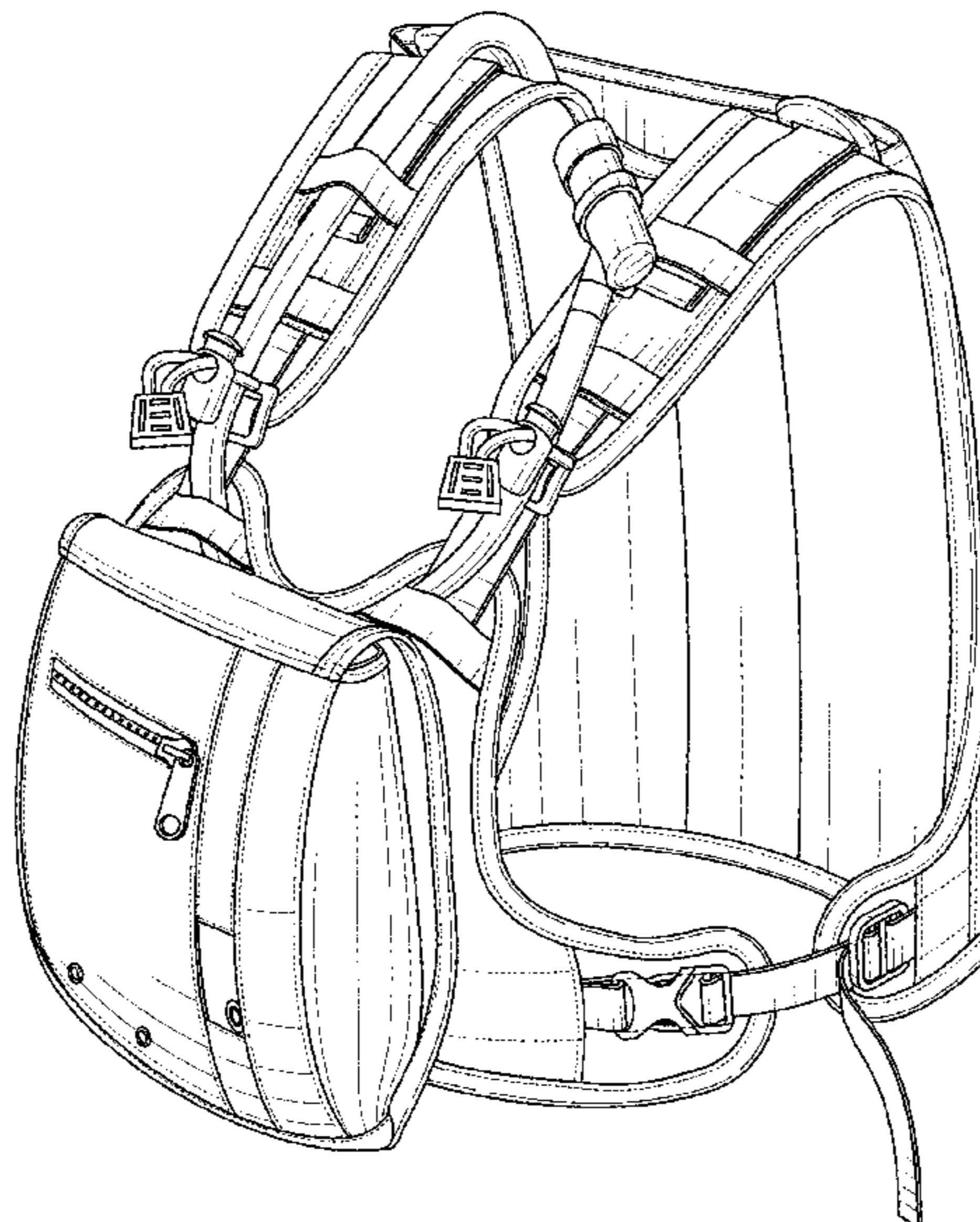
What is claimed is the ornamental design for a wearable vest
with hydration pack, as shown and described.

DESCRIPTION

FIG. 1 is a front perspective view of a wearable vest with
hydration pack;
FIG. 2 is a rear perspective view thereof;
FIG. 3 is a front view thereof;
FIG. 4 is a rear view thereof;
FIG. 5 is a left side view thereof;
FIG. 6 is a right side view thereof;
FIG. 7 is a top view thereof;
FIG. 8 is a bottom view thereof; and,
FIG. 9 is a front perspective view thereof. Shown in use on
an unclaimed person.

The smaller broken lines are representative of conventional
stitching. The larger broken lines shown are included for the
purpose of illustrating unclaimed subject matter and forms
no part of the claimed design.

1 Claim, 9 Drawing Sheets



(56)

References Cited

U.S. PATENT DOCUMENTS

6,247,619 B1 * 6/2001 Gill B62J 9/26
222/105
6,545,606 B2 * 4/2003 Piri B63C 9/0005
340/539.13
6,837,026 B2 * 1/2005 Setton A45F 3/20
222/175
6,886,726 B1 * 5/2005 O'Hare A01K 97/06
224/576
6,923,357 B2 * 8/2005 Smith A01K 97/06
224/251
7,124,921 B1 * 10/2006 Hubbell A45F 3/00
224/148.2
7,175,059 B2 * 2/2007 Copich A45F 3/20
224/148.2
7,337,935 B1 * 3/2008 Glanville A45F 3/04
224/262
D587,007 S * 2/2009 Phillips, III D3/216
7,490,740 B2 * 2/2009 Robins A45F 3/20
222/175
D624,245 S * 9/2010 Willows D29/101.2
7,820,946 B2 * 10/2010 Woodfill A45F 3/16
219/201
7,854,639 B1 * 12/2010 Leal B63C 9/1255
441/106

8,357,020 B2 * 1/2013 Hansbro A45F 3/04
224/148.2
8,418,901 B2 * 4/2013 Stimmell F42B 39/08
224/275
8,444,021 B1 * 5/2013 Ferreiro A45F 3/20
222/175
8,793,815 B1 * 8/2014 Kelley-Mozsy A41D 27/20
2/247
8,919,628 B2 * 12/2014 Jamlang A45F 4/02
224/153
9,022,269 B1 * 5/2015 Woodcock A45F 4/00
224/576
9,149,109 B2 * 10/2015 Slaton A45F 3/16
9,248,893 B2 * 2/2016 Hellweg B63C 9/1255
9,359,049 B1 * 6/2016 Alexander B63C 9/115
9,629,398 B2 * 4/2017 Goryl A41D 13/0012
10,390,603 B2 * 8/2019 Hinson B65D 43/0231
D866,167 S * 11/2019 Chudy D3/217
10,502,351 B2 * 12/2019 Jaeger F16L 37/0841
10,548,390 B2 * 2/2020 Marui A45F 3/20
2007/0056998 A1 * 3/2007 Olson A45F 3/20
224/148.2
2013/0186906 A1 * 7/2013 Underhill A45F 3/16
220/705
2017/0231371 A1 * 8/2017 Li A41D 13/0058
62/259.3

* cited by examiner

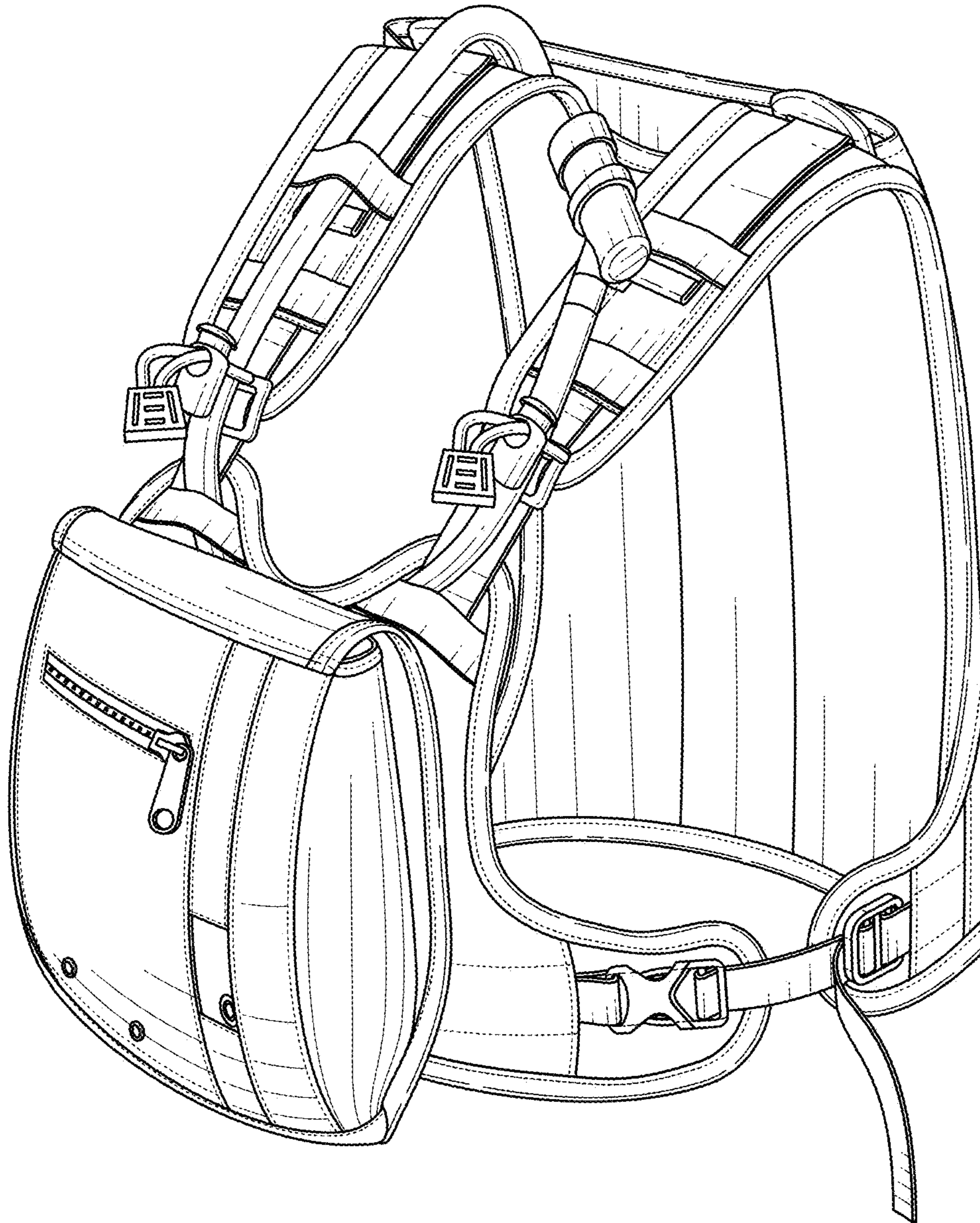


FIG. 1



FIG. 2

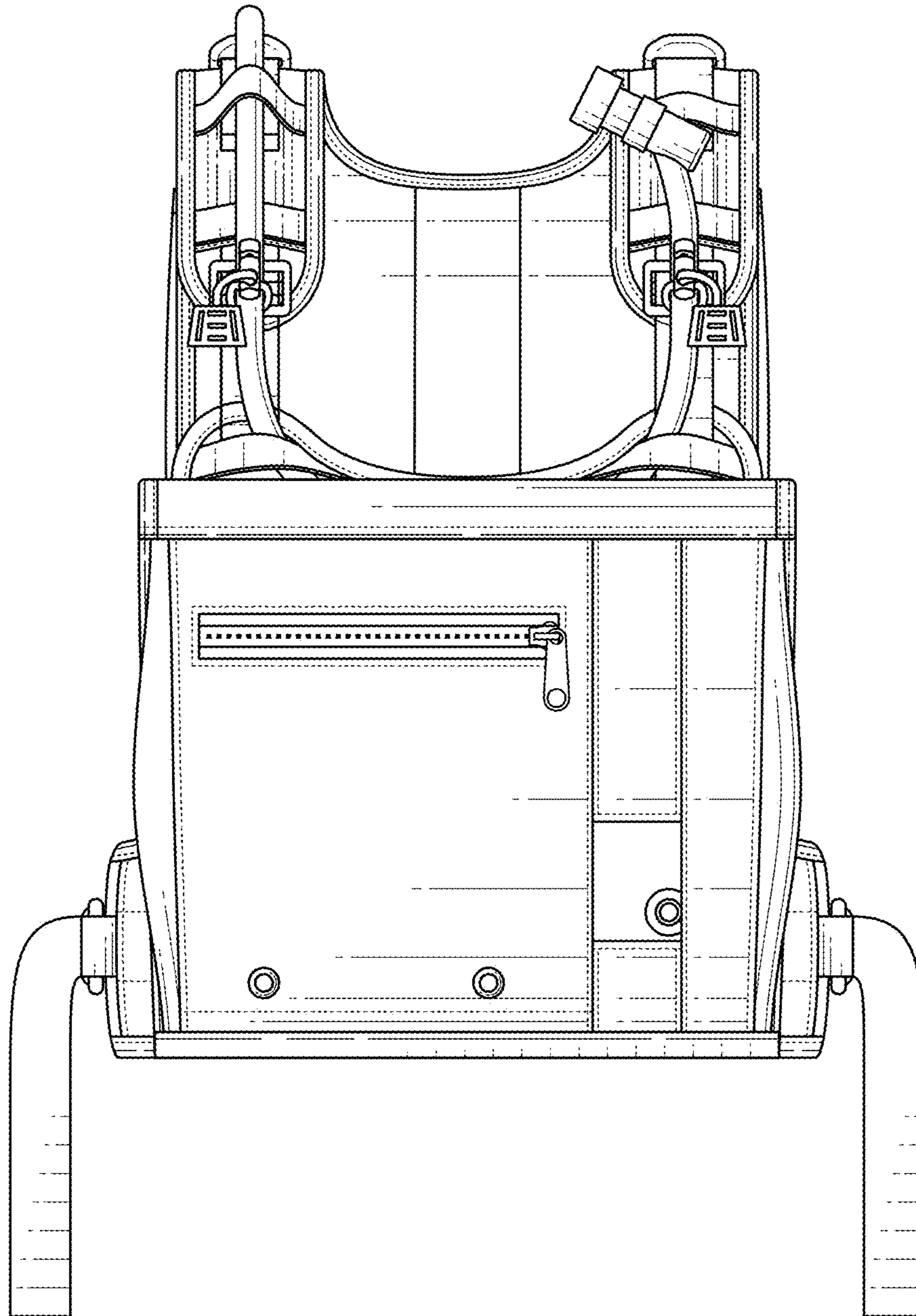


FIG. 3

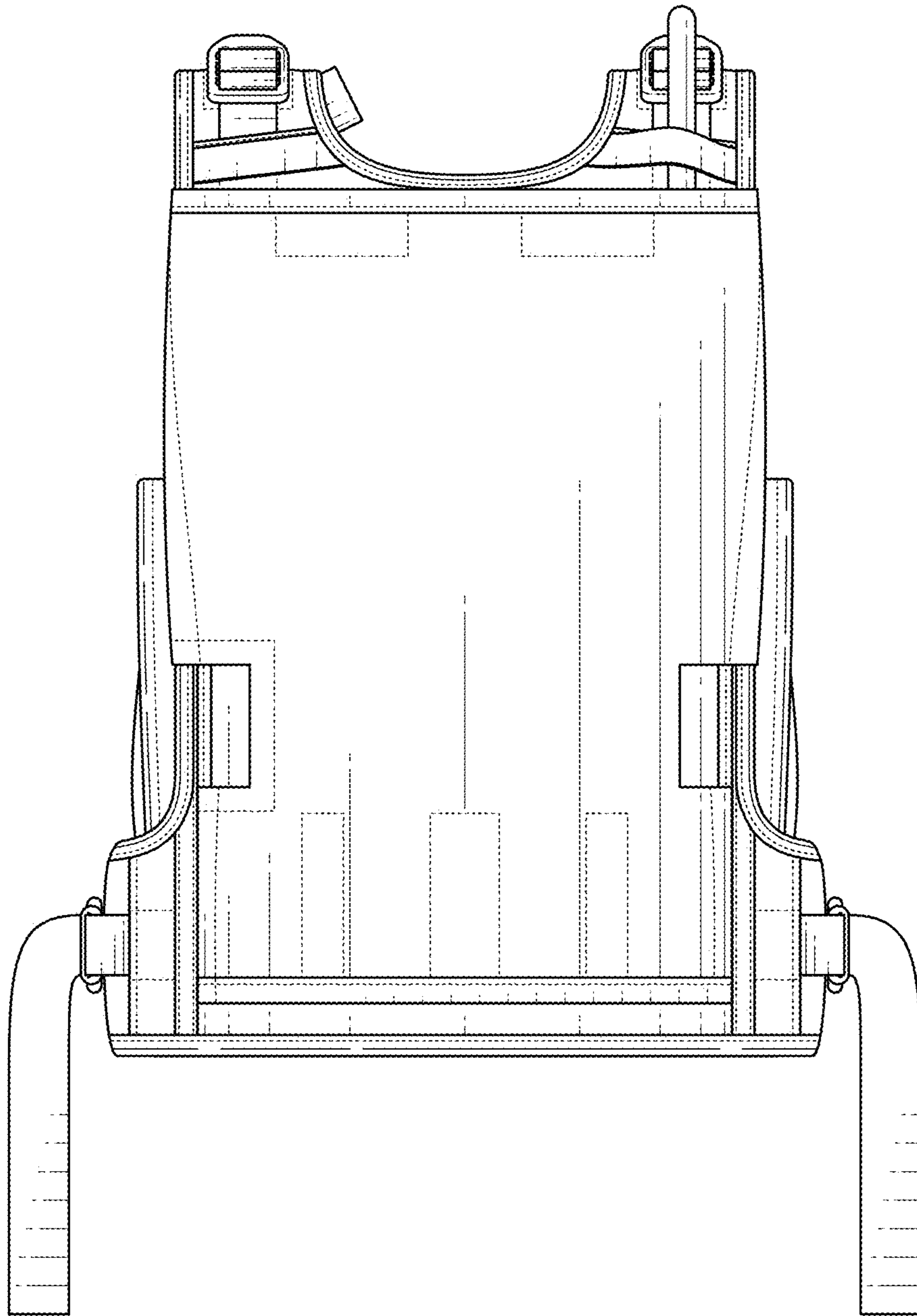


FIG. 4

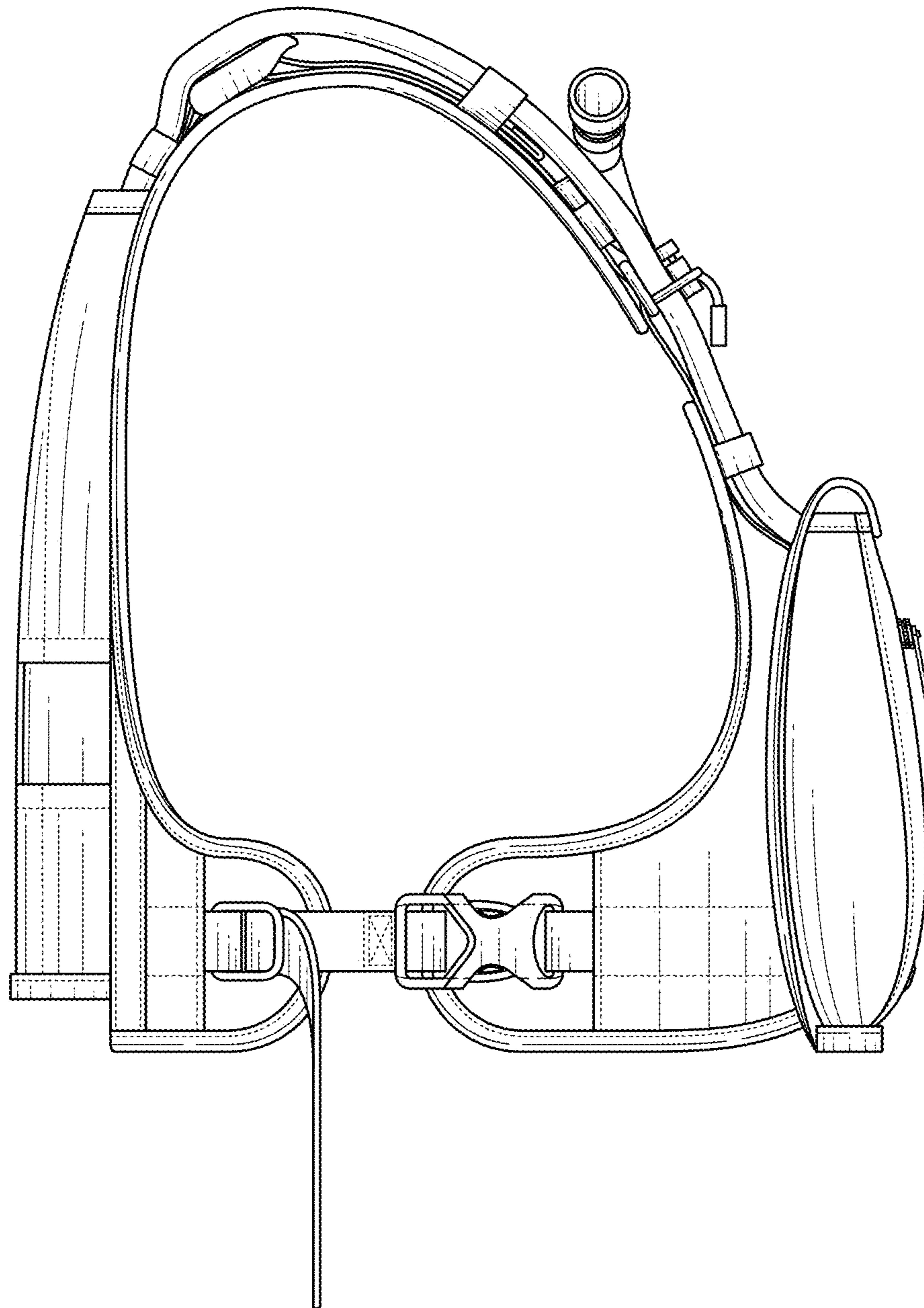


FIG. 5

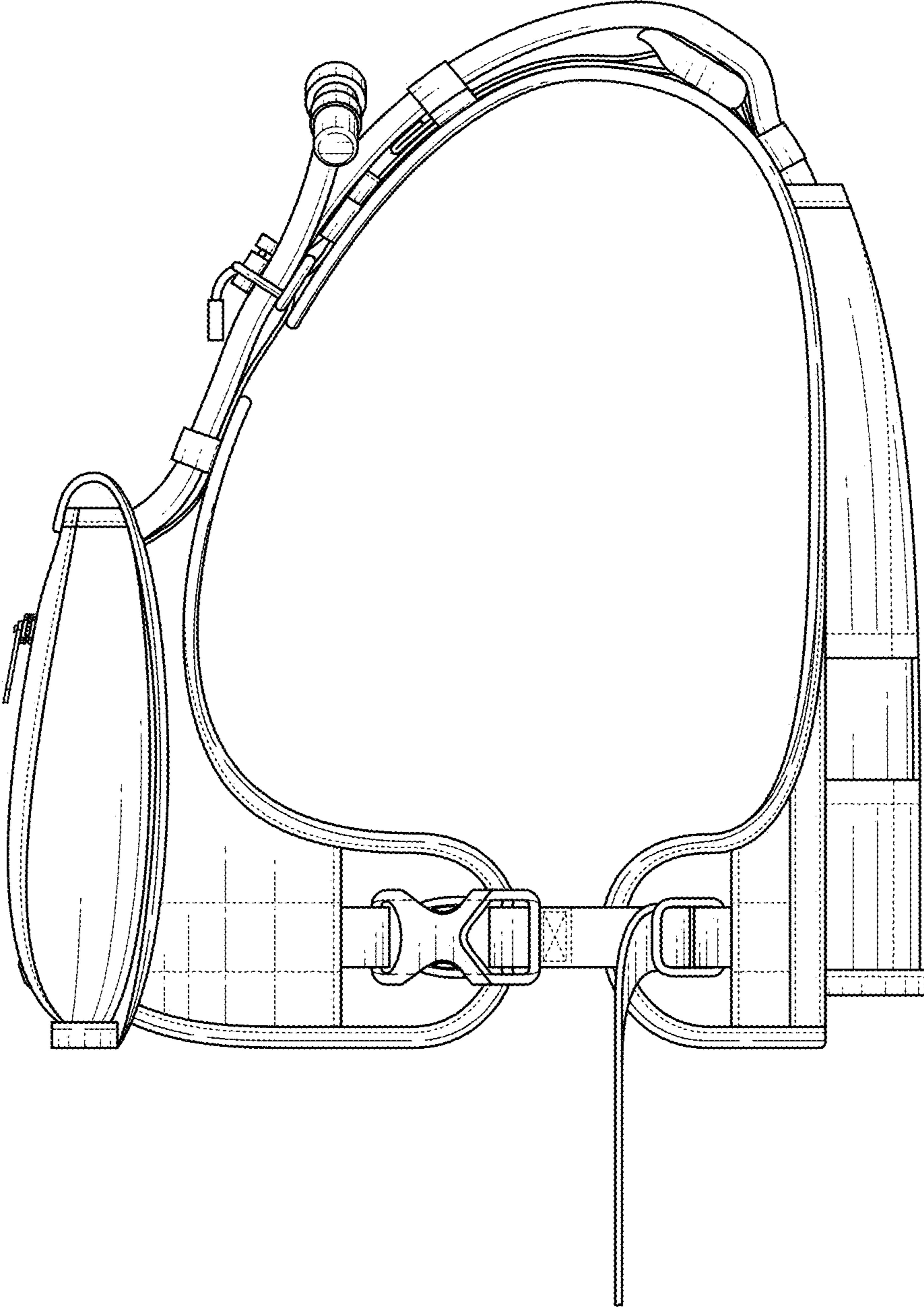


FIG. 6

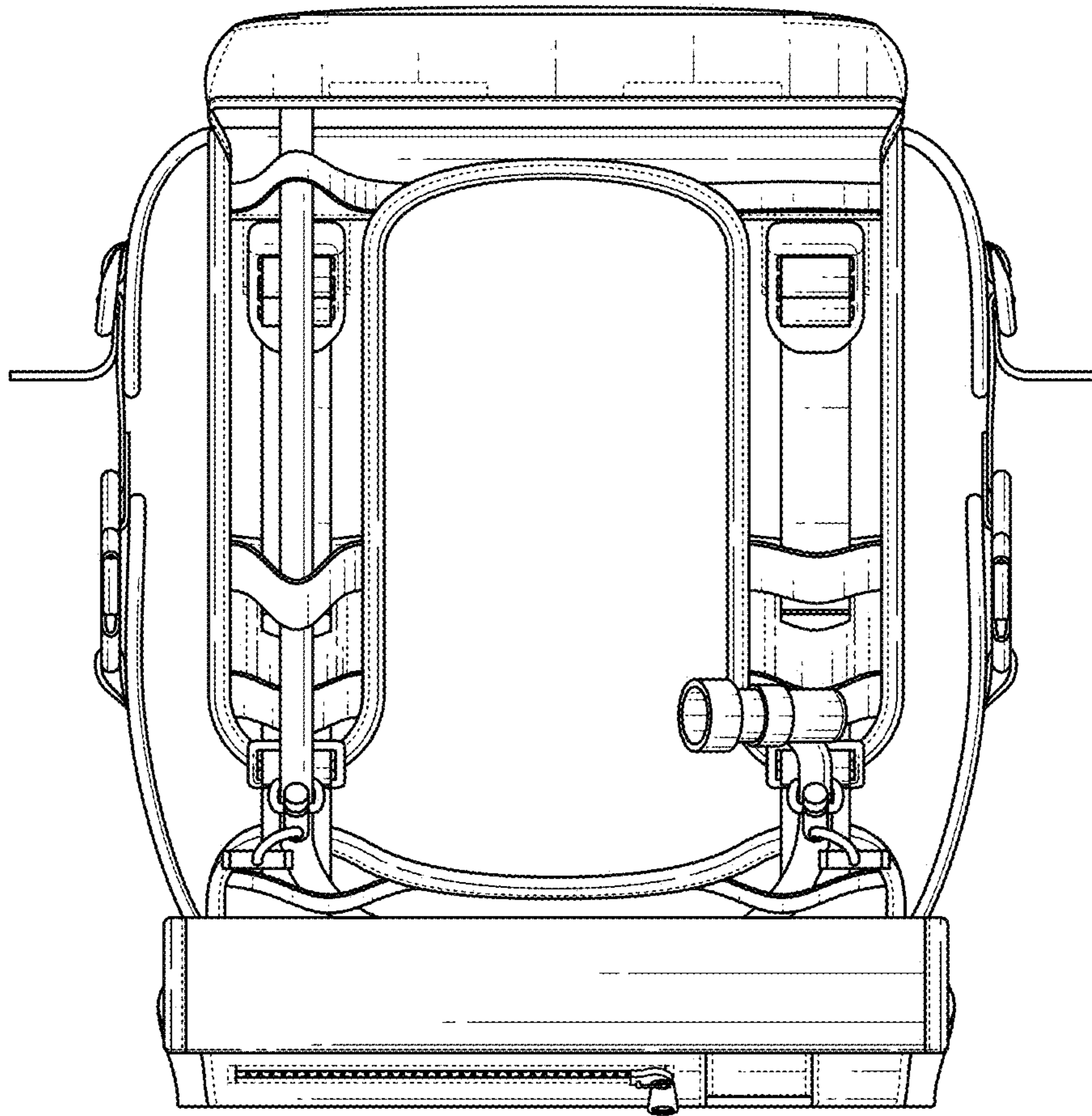


FIG. 7

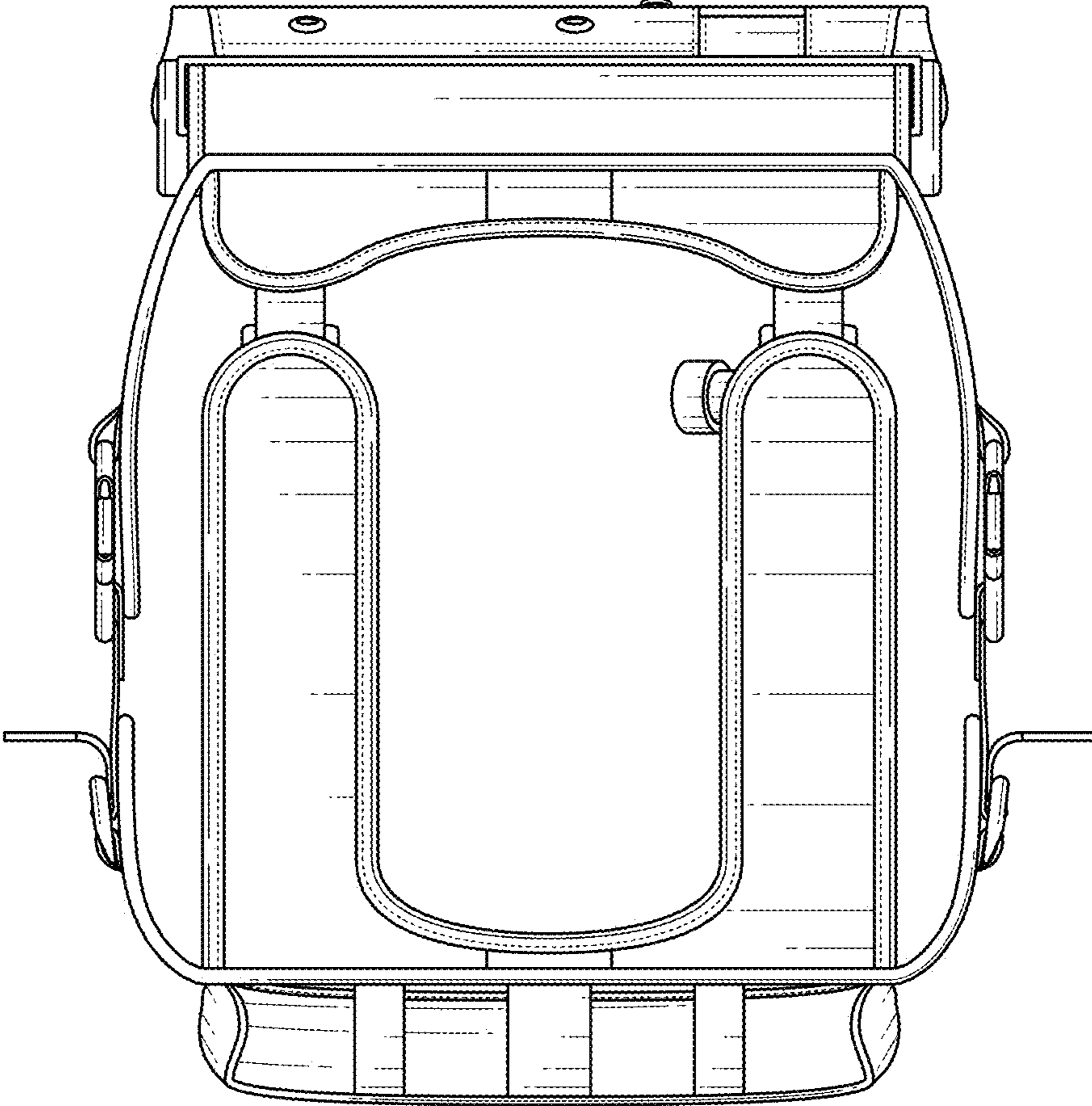


FIG. 8

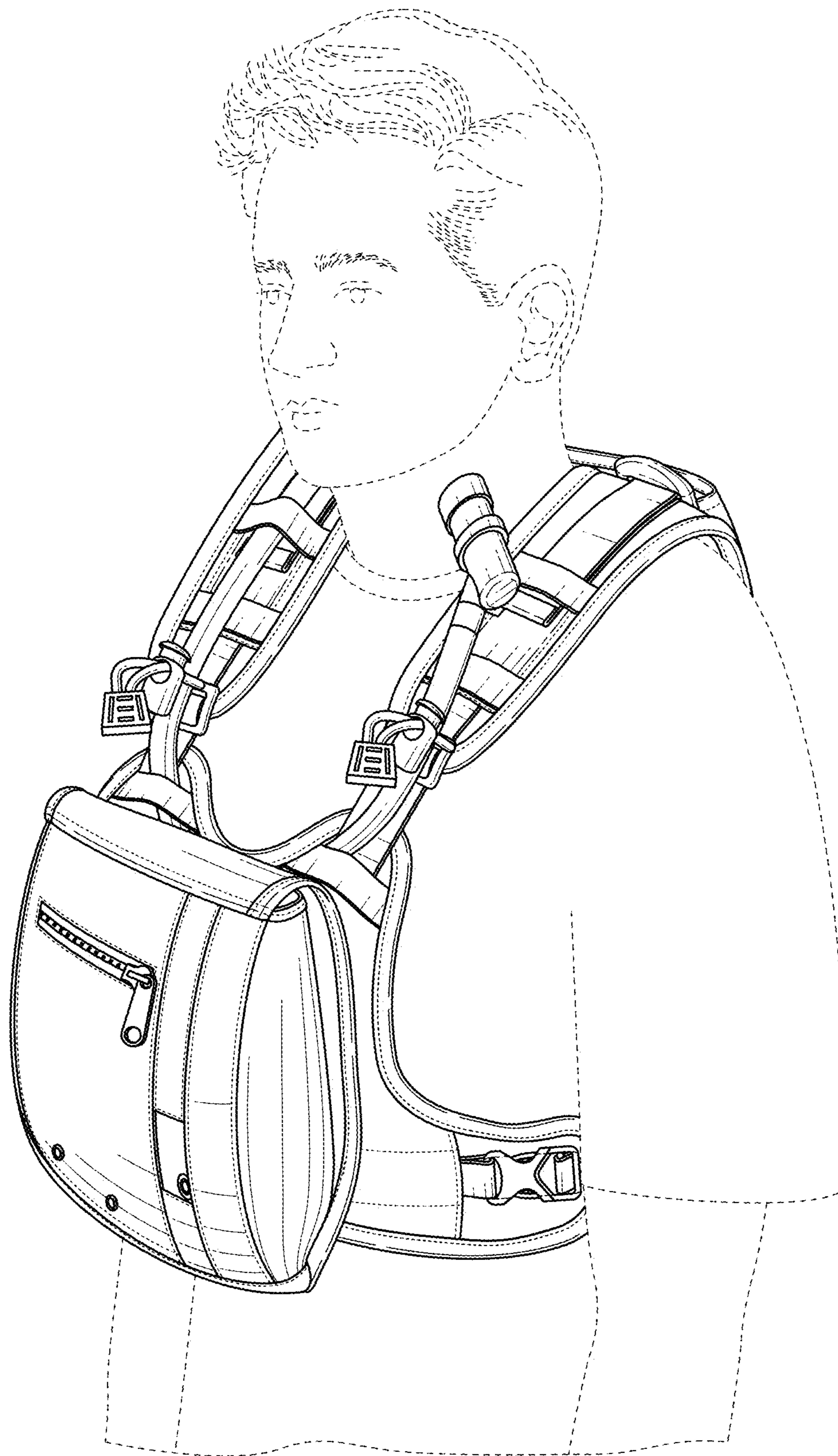


FIG. 9