

US00D895268S

(12) **United States Design Patent** (10) **Patent No.:** **US D895,268 S**
Goeder (45) **Date of Patent:** **** Sep. 8, 2020**

- (54) **CASE FOR A SHAVING RAZOR**
- (71) Applicant: **The Gillette Company LLC**, Boston, MA (US)
- (72) Inventor: **Philipp Goeder**, Frankfurt (DE)
- (73) Assignee: **The Gillette Company LLC**, Boston, MA (US)
- (**) Term: **15 Years**
- (21) Appl. No.: **29/642,555**
- (22) Filed: **Mar. 30, 2018**
- (51) **LOC (12) Cl.** **03-02**
- (52) **U.S. Cl.**
USPC **D3/205**
- (58) **Field of Classification Search**
USPC D3/205
CPC A45C 11/00; A45C 11/008; A45C 11/26;
A45C 2011/007; A45C 9/00; A45D 44/18
See application file for complete search history.

- (56) **References Cited**
- U.S. PATENT DOCUMENTS
- | | | | |
|---------------|---------|---------------|------------------------|
| D258,270 S * | 2/1981 | Gray | 206/349 |
| D313,175 S * | 12/1990 | Motta | D9/721 |
| D326,017 S | 5/1992 | Orosy et al. | |
| 5,782,346 A * | 7/1998 | Gray | B65D 81/025
206/228 |
| D404,917 S | 2/1999 | Miller et al. | |
| 5,894,922 A | 4/1999 | Miller et al. | |
| D425,296 S * | 5/2000 | Shurtleff | D3/201 |
| D466,283 S | 12/2002 | Kim | |
| D479,401 S | 9/2003 | Claypool | |

- | | | | |
|-------------------|---------|-------------------|----------------------|
| D484,684 S | 1/2004 | Eldon, III et al. | |
| D529,711 S | 10/2006 | Shamoon | |
| D681,938 S | 5/2013 | Pan | |
| D740,692 S | 10/2015 | Christie et al. | |
| D829,168 S * | 9/2018 | Massee | D13/108 |
| D860,813 S * | 9/2019 | Swatty | D9/749 |
| D873,556 S * | 1/2020 | McGarry | D3/205 |
| 2007/0220754 A1 * | 9/2007 | Barbaro | A45D 27/22
30/41 |
| 2011/0308098 A1 * | 12/2011 | De'Rennaux | A45D 27/22
30/541 |
| 2015/0059197 A1 * | 3/2015 | Sassano | A45D 27/48
34/80 |
| 2018/0160790 A1 * | 6/2018 | Swatty | A45D 27/22 |
- * cited by examiner

Primary Examiner — Charles D Hanson
(74) *Attorney, Agent, or Firm* — John M. Lipchitz

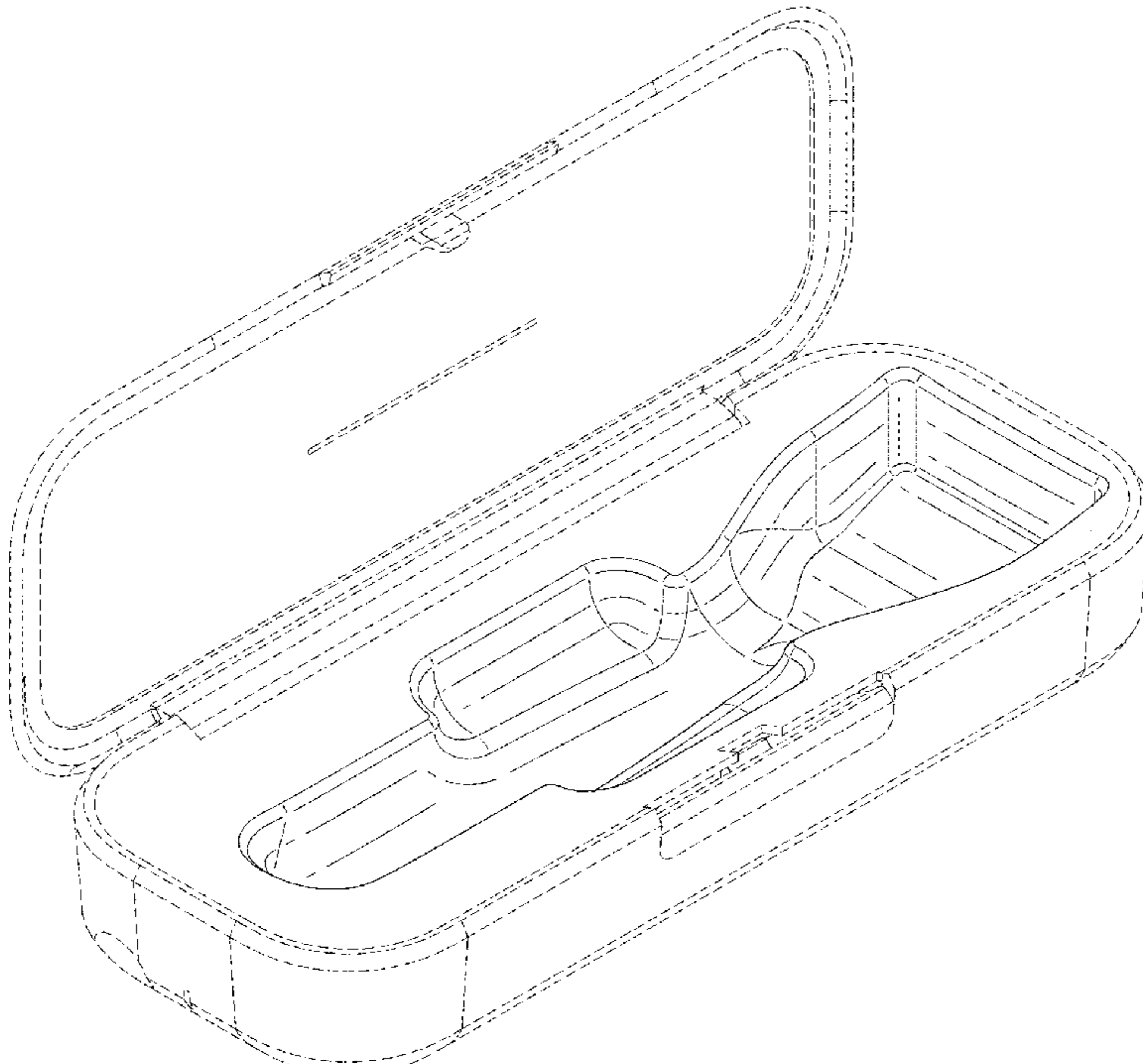
(57) **CLAIM**

The ornamental design for a case for a shaving razor, as shown and described.

DESCRIPTION

FIG. 1 is a first perspective view of a case for a shaving razor showing my new design;
FIG. 2 is a front view thereof;
FIG. 3 is a rear view thereof;
FIG. 4 is a right side view thereof;
FIG. 5 is a left side view thereof;
FIG. 6 is a top view thereof;
FIG. 7 is a bottom view thereof; and,
FIG. 8 is a second perspective view thereof.
The broken lines shown illustrate portions of the case and form no part of the claimed design.

1 Claim, 7 Drawing Sheets



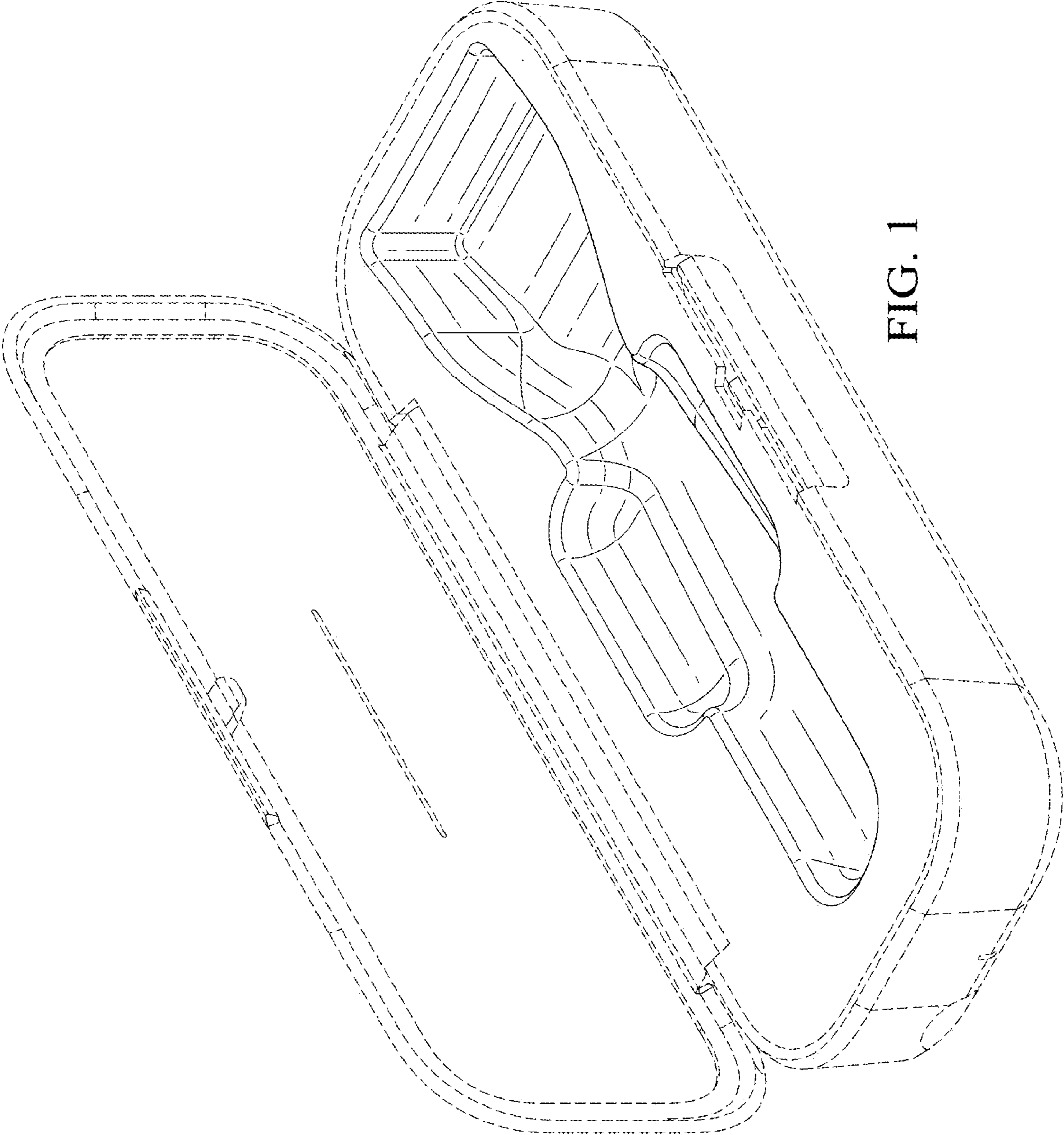


FIG. 1

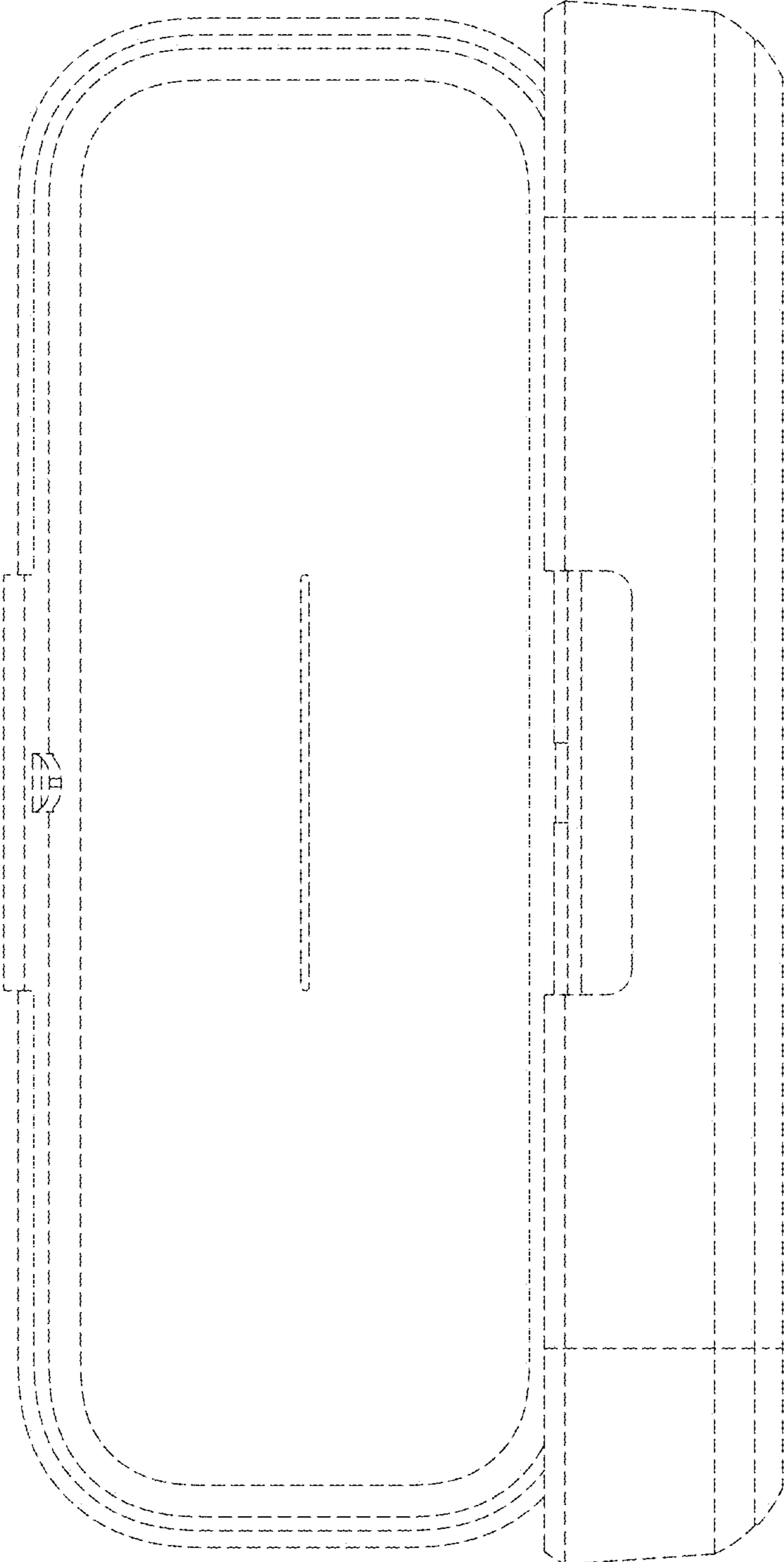


FIG. 2

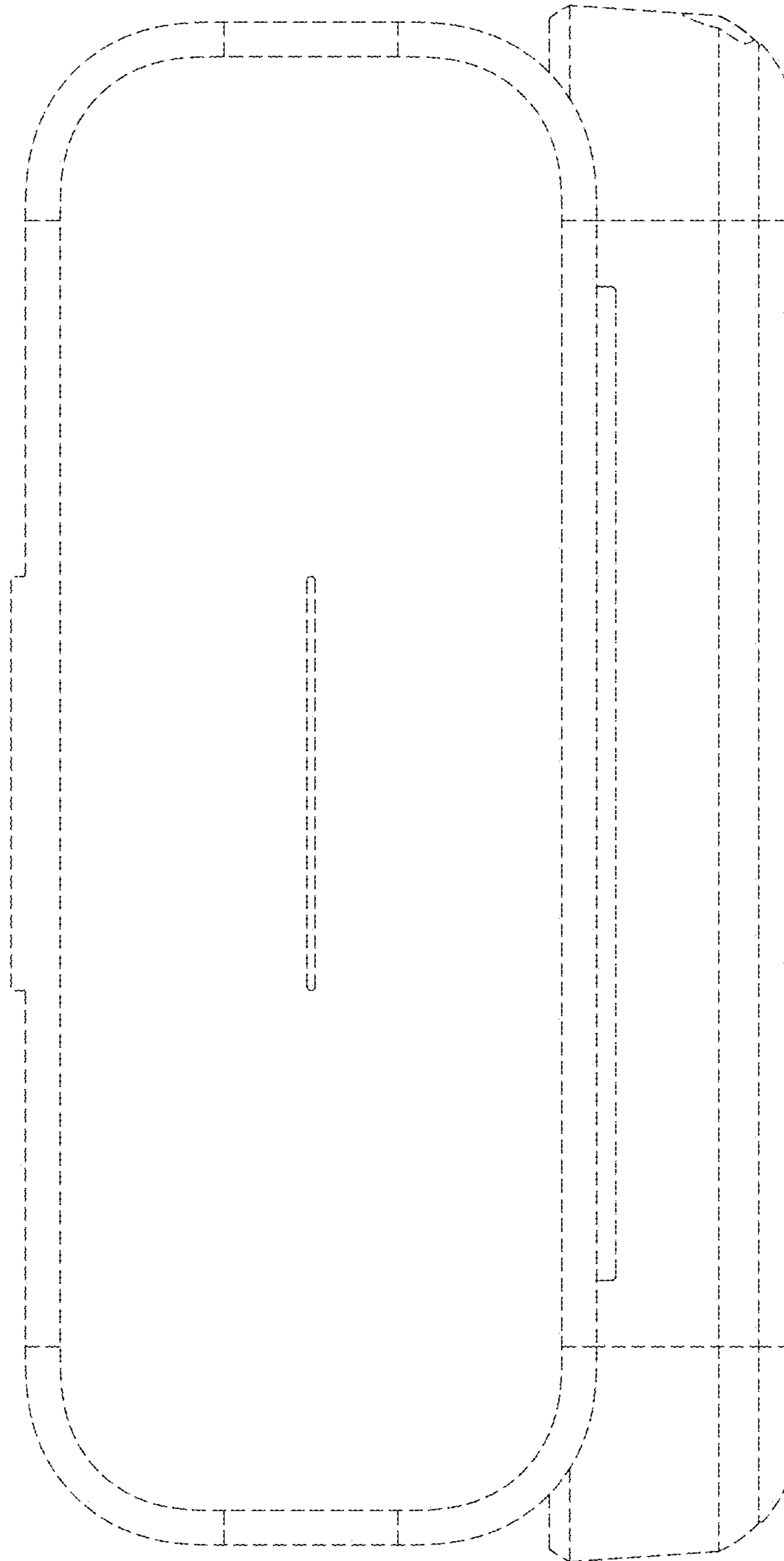


FIG. 3

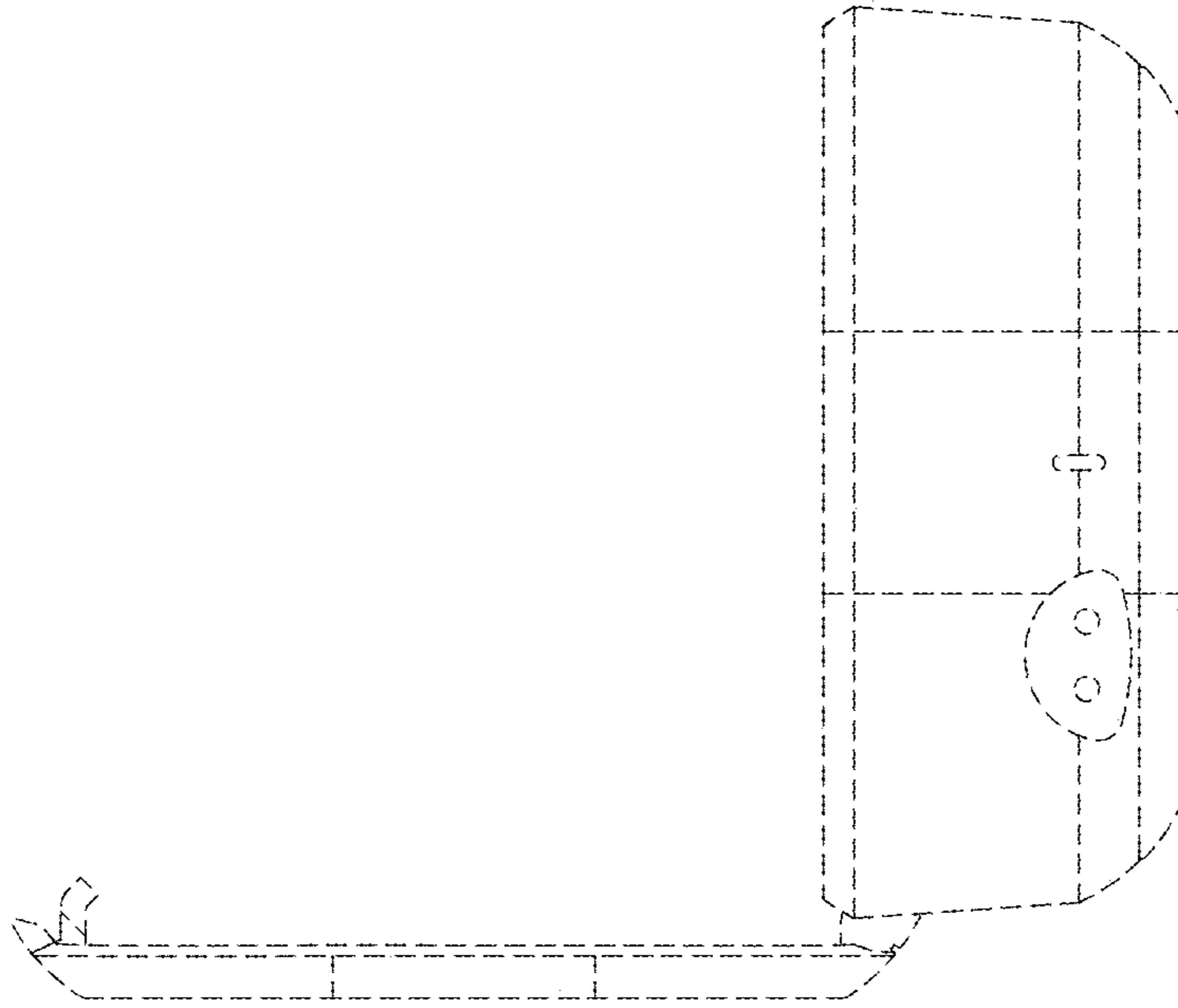


FIG. 5

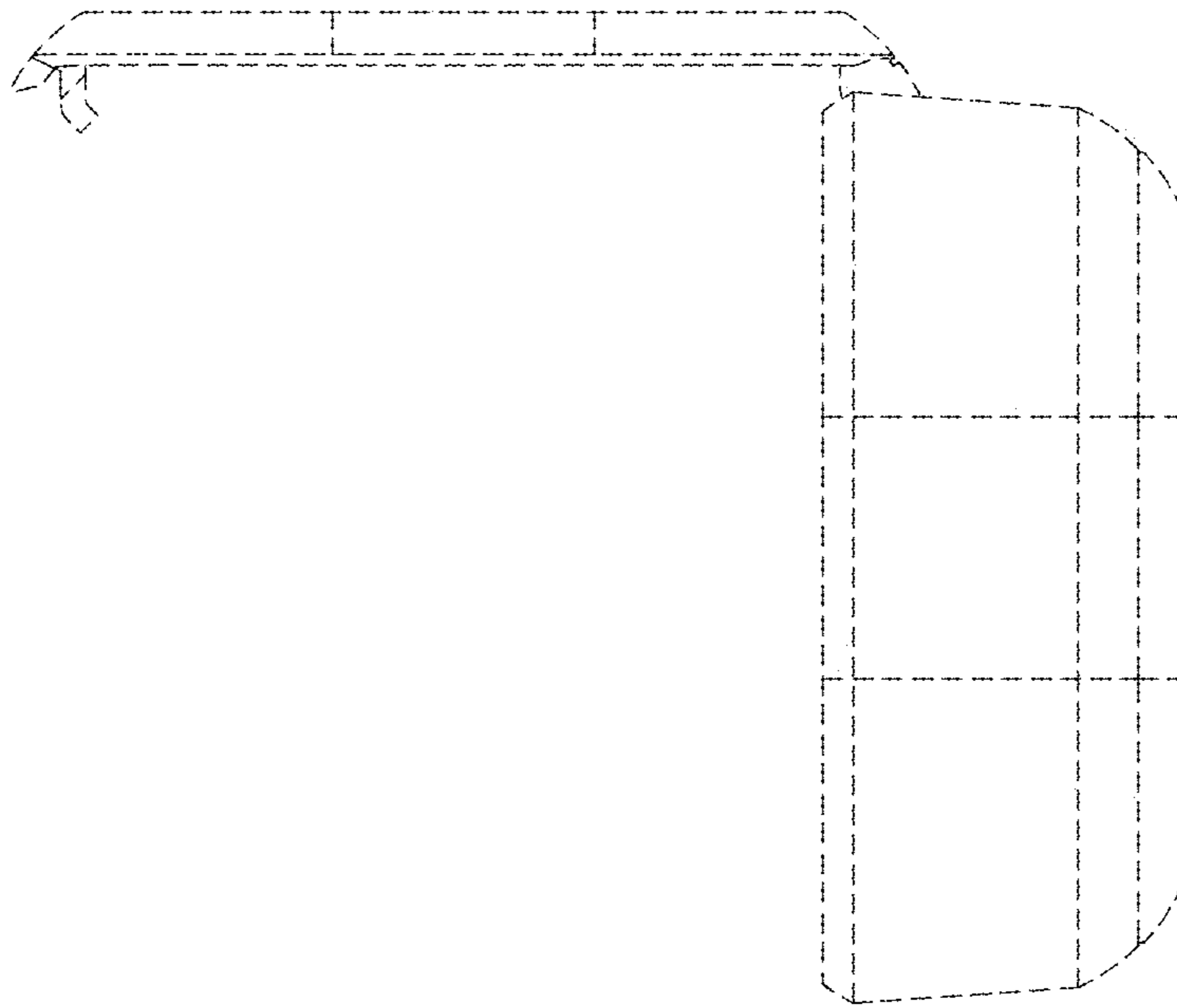


FIG. 4

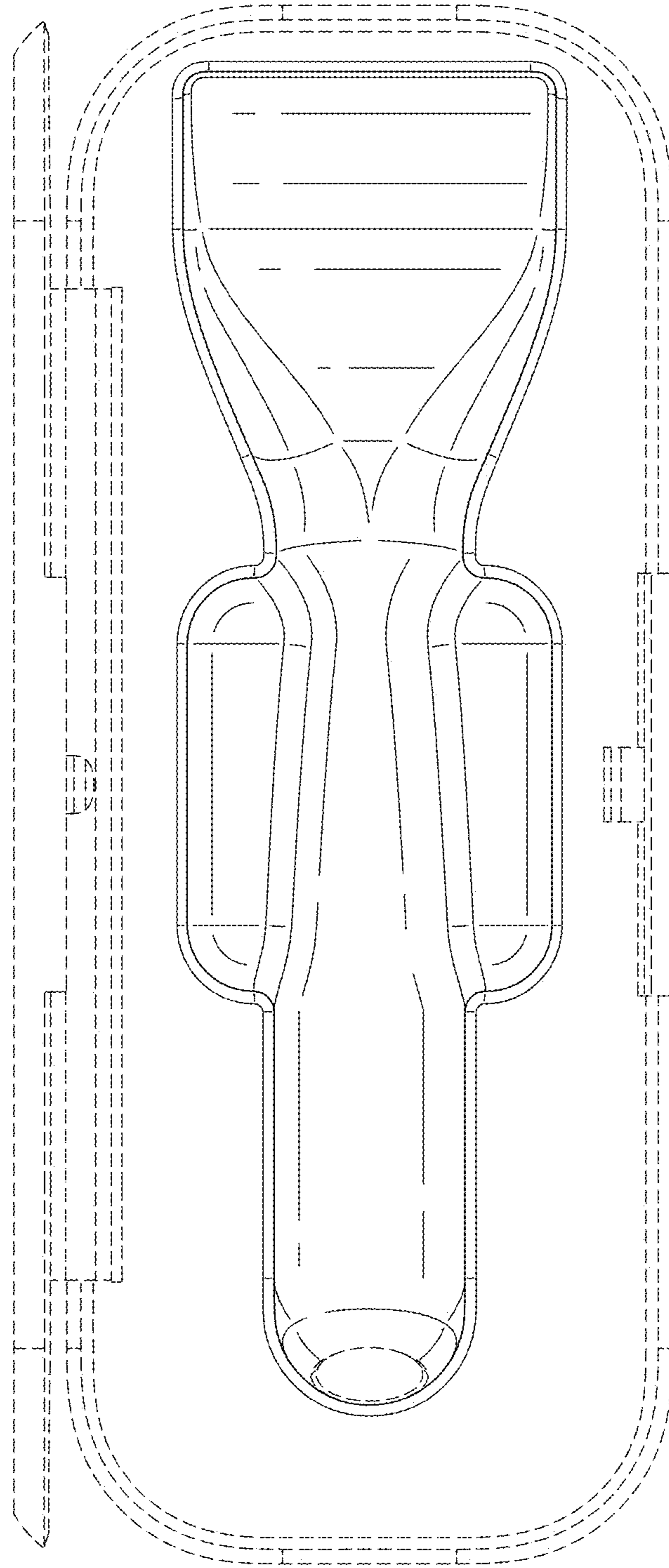


FIG. 6

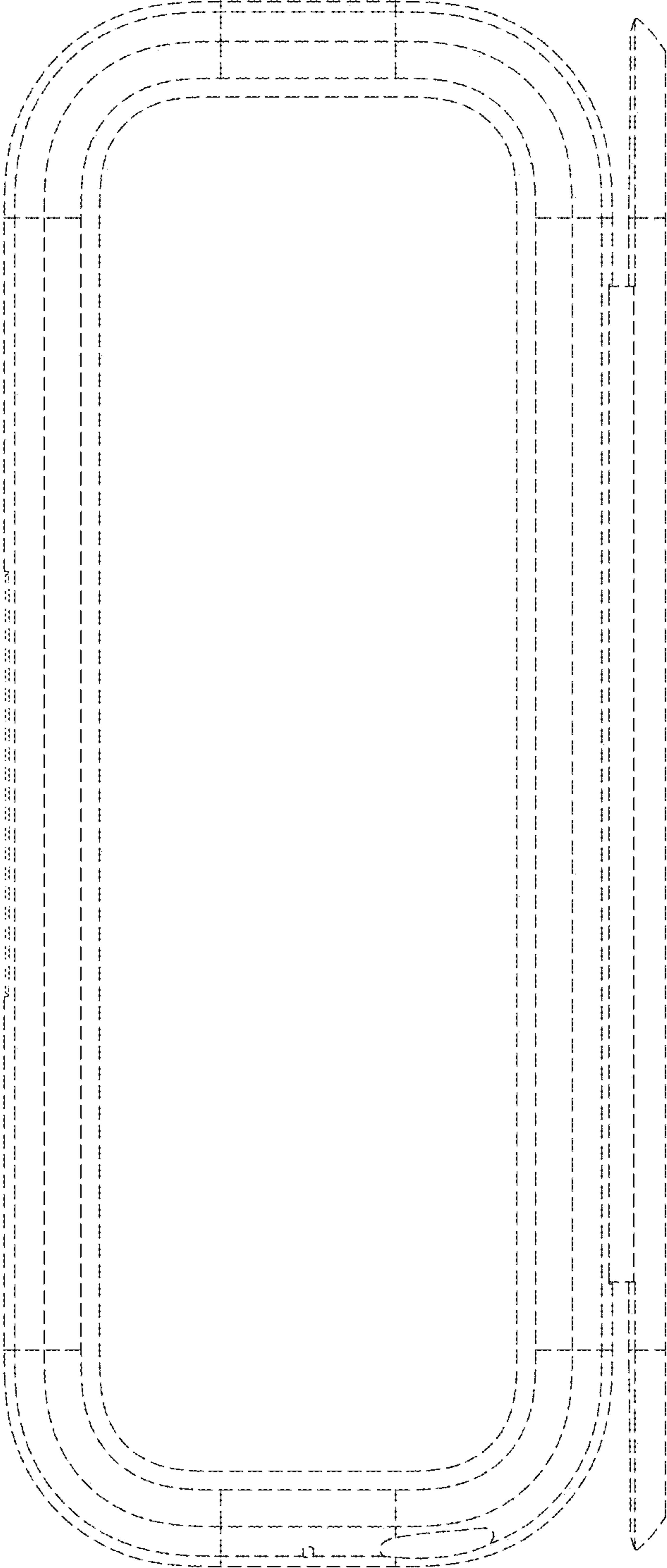


FIG. 7

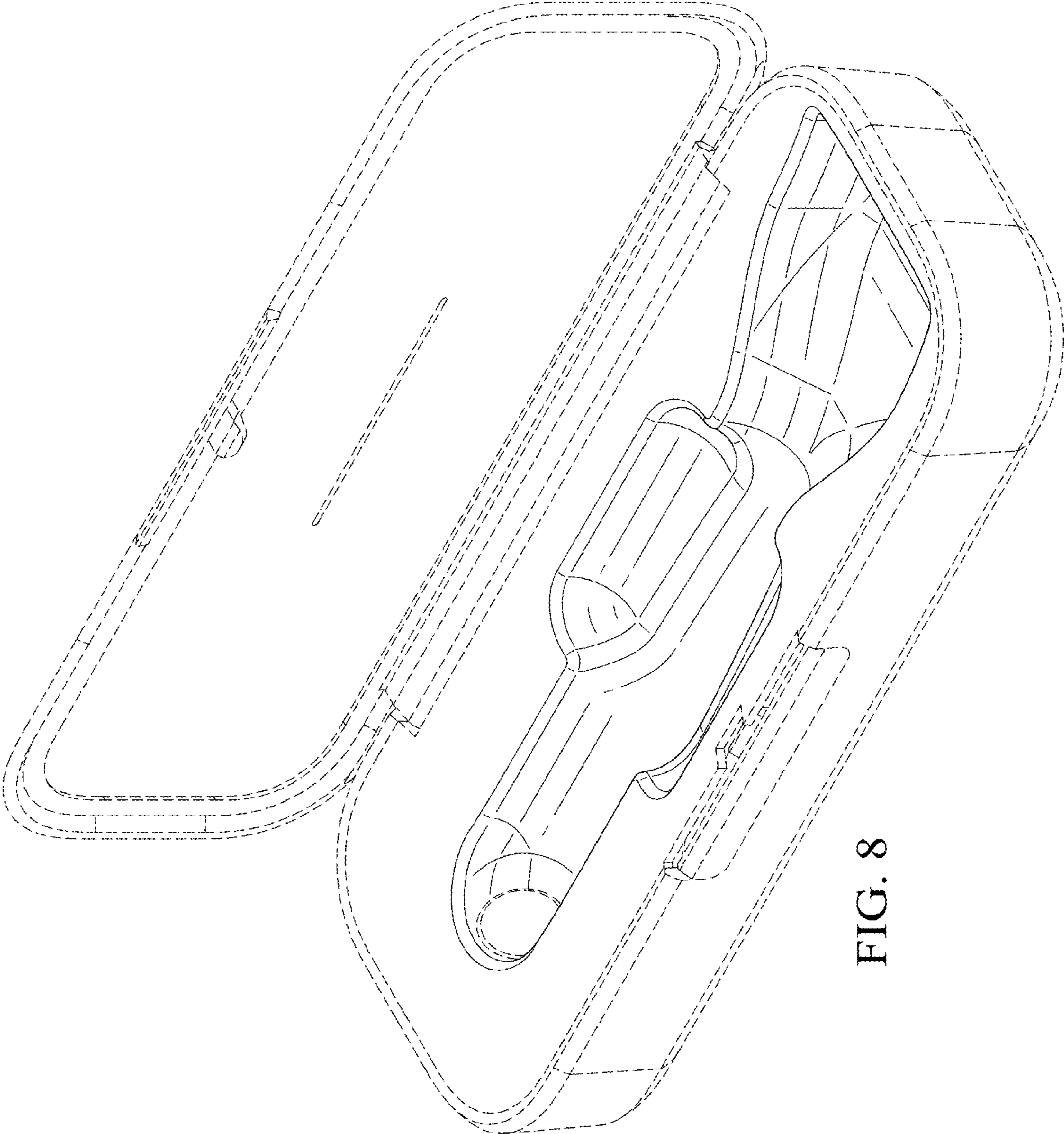


FIG. 8