



US00D895261S

(12) **United States Design Patent** (10) **Patent No.:** **US D895,261 S**  
**Cureton** (45) **Date of Patent:** **\*\* Sep. 8, 2020**

(54) **SHOE ACCESSORY**  
(71) Applicant: **Hyder Cureton**, East Patchogue, NY (US)  
(72) Inventor: **Hyder Cureton**, East Patchogue, NY (US)  
(\*\*) Term: **15 Years**  
(21) Appl. No.: **29/732,738**  
(22) Filed: **Apr. 27, 2020**  
(51) **LOC (12) Cl.** ..... **02-07**  
(52) **U.S. Cl.**  
USPC ..... **D2/976**  
(58) **Field of Classification Search**  
USPC ..... D2/976, 946, 978, 896, 624, 625, 626, D2/627, 639, 640; D11/200, 222, 40, 95; 36/136, 137  
CPC .. A43B 1/00; A43B 3/00; A43B 23/24; A43C 3/00; A43C 7/00; A43C 7/005; A43C 7/02; A43C 7/06; A43C 11/00; A43C 11/02; A43C 11/24  
See application file for complete search history.

4,507,882 A 4/1985 Harrell  
4,536,975 A \* 8/1985 Harrell ..... A43B 1/0072  
2/245  
4,879,787 A 11/1989 Walls  
4,958,459 A 10/1990 Davidson  
5,649,342 A 7/1997 D'Andrade et al.  
D406,177 S \* 2/1999 Milroy ..... D2/976  
5,918,352 A 7/1999 Galbreath  
6,449,881 B1 \* 9/2002 Assaf ..... A43B 3/0031  
150/143  
6,560,831 B2 5/2003 Schoen  
6,729,058 B2 \* 5/2004 Ferguson ..... G09F 3/207  
2/245  
6,988,298 B2 \* 1/2006 Ternasky ..... A43B 3/0078  
24/306  
D547,532 S \* 7/2007 White, Sr. .... D2/946  
D548,432 S \* 8/2007 Martin ..... D11/3

(Continued)

*Primary Examiner* — Elizabeth J Oswecki  
(74) *Attorney, Agent, or Firm* — Christopher Pilling

(57) **CLAIM**

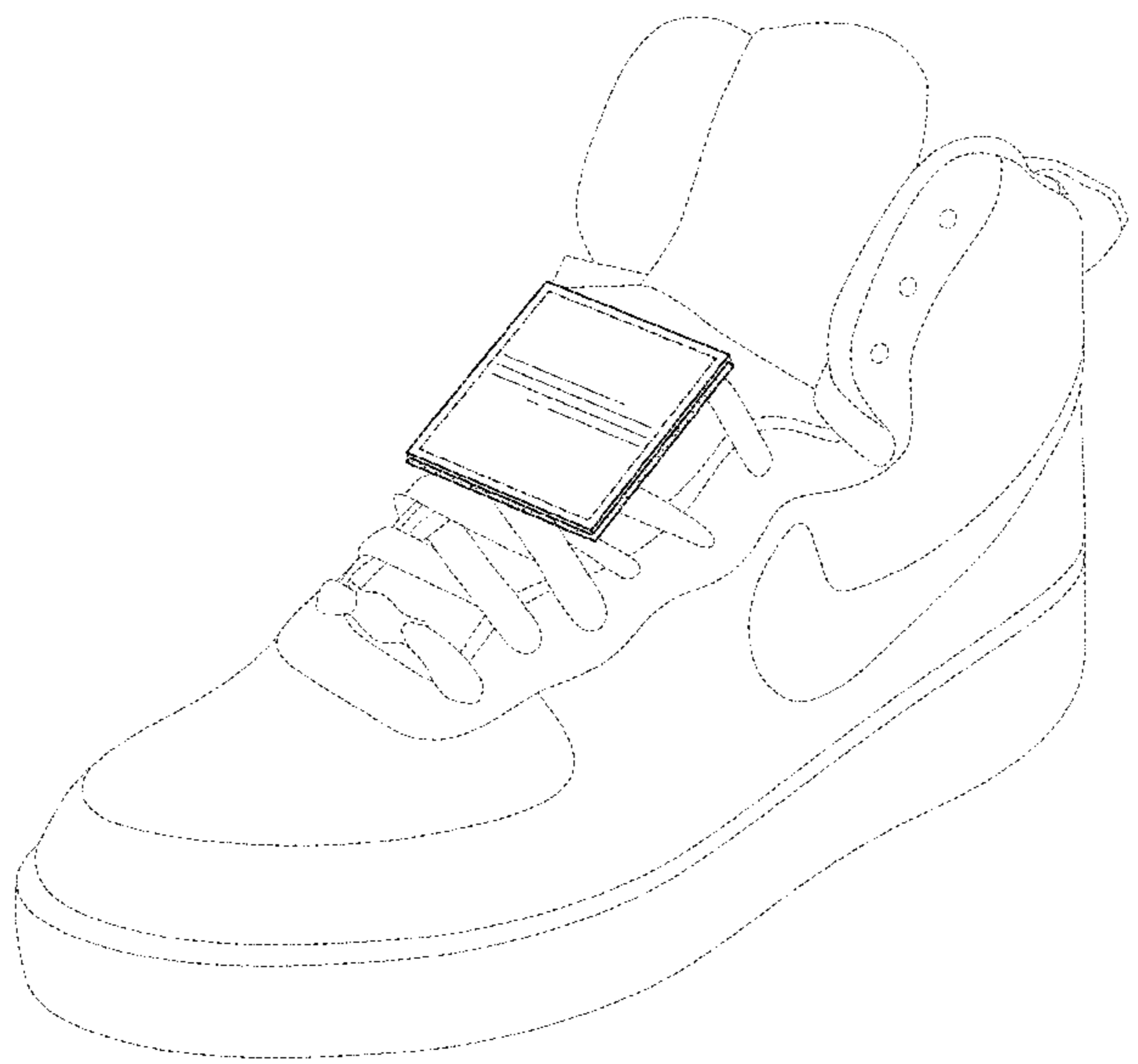
The ornamental design for a shoe accessory, as shown and described.

**DESCRIPTION**

FIG. 1 is a front, left perspective view of a shoe accessory, showing my new design;  
FIG. 2 is a left perspective view thereof;  
FIG. 3 is a right perspective view thereof;  
FIG. 4 is a top view thereof;  
FIG. 5 is a left view thereof; and,  
FIG. 6 is a right view thereof.  
The bottom view and rear view are not shown and form no part of the claimed design.  
The dash-dot broken lines represent thread stitching. The even dashed broken lines shown in the drawings represent portions of the shoe accessory that form no part of the claimed design.

**1 Claim, 6 Drawing Sheets**

(56) **References Cited**  
U.S. PATENT DOCUMENTS  
895,522 A \* 8/1908 Weil ..... A43B 3/0078  
2/245  
1,053,974 A \* 2/1913 Cohen ..... A43B 23/02  
36/45  
D53,751 S \* 8/1919 Rivelis ..... D2/976  
1,333,466 A \* 3/1920 Colby ..... A43B 3/0078  
2/245  
D56,727 S \* 12/1920 Ordway ..... D2/976  
D136,913 S \* 12/1943 Keyes ..... D2/922  
3,564,736 A \* 2/1971 Cunningham ..... A43B 3/0078  
36/1  
D249,339 S \* 9/1978 Coulthurst ..... D11/79  
4,254,566 A \* 3/1981 Haskell ..... G09F 3/04  
40/636



(56)

## References Cited

## U.S. PATENT DOCUMENTS

D550,430 S \* 9/2007 Martin, Jr. .... D11/3  
7,404,242 B1 \* 7/2008 Perler ..... A43B 3/0078  
2/245  
D579,194 S \* 10/2008 Caylor ..... D2/946  
7,444,724 B1 \* 11/2008 Perler ..... A43B 1/0027  
24/712.3  
D601,790 S \* 10/2009 Kennedy ..... D2/976  
D601,791 S \* 10/2009 Kennedy ..... D2/976  
D601,792 S \* 10/2009 Kennedy ..... D2/976  
D613,938 S \* 4/2010 Alexander ..... D2/976  
D615,285 S \* 5/2010 Martin ..... D2/946  
D627,146 S \* 11/2010 Kantor ..... D2/976  
D630,425 S \* 1/2011 Olaverri ..... D2/976  
D655,493 S \* 3/2012 Kelley ..... D2/946  
D662,703 S \* 7/2012 Haver ..... D2/946  
D667,212 S \* 9/2012 Reilly ..... D2/976  
D670,074 S \* 11/2012 Willows ..... D2/946  
D670,075 S \* 11/2012 Fumey ..... D2/946  
D670,918 S \* 11/2012 Benjamin ..... D5/63  
D711,080 S \* 8/2014 Hollister ..... D2/946  
8,925,116 B2 1/2015 Augustine et al.  
D728,214 S \* 5/2015 Harvey ..... D2/976  
D737,564 S \* 9/2015 Hamilton ..... D2/976  
9,144,295 B2 9/2015 Schmoll et al.  
D816,980 S \* 5/2018 Chang ..... D2/978  
D825,911 S \* 8/2018 Chretien ..... D2/976  
D837,506 S \* 1/2019 Reilly ..... D2/976  
D838,447 S \* 1/2019 Clark ..... D2/916  
2006/0010721 A1 1/2006 Valko  
2006/0260153 A1 11/2006 White et al.  
2007/0245598 A1 10/2007 Pawsey  
2008/0000107 A1 1/2008 Styles  
2008/0086917 A1 \* 4/2008 Carrillo ..... A43B 3/0078  
36/136  
2011/0047843 A1 3/2011 Russo et al.

\* cited by examiner

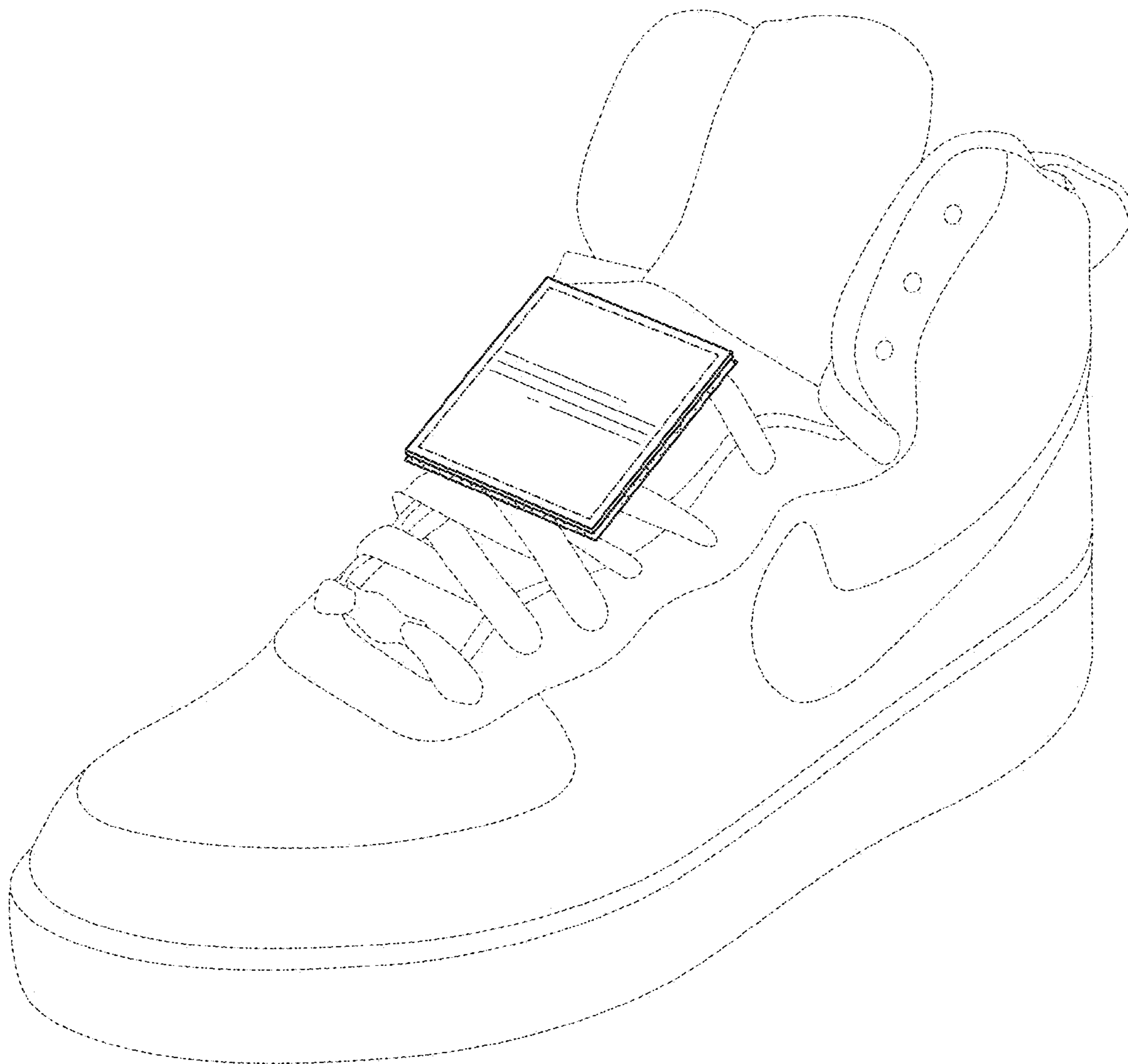


FIG. 1

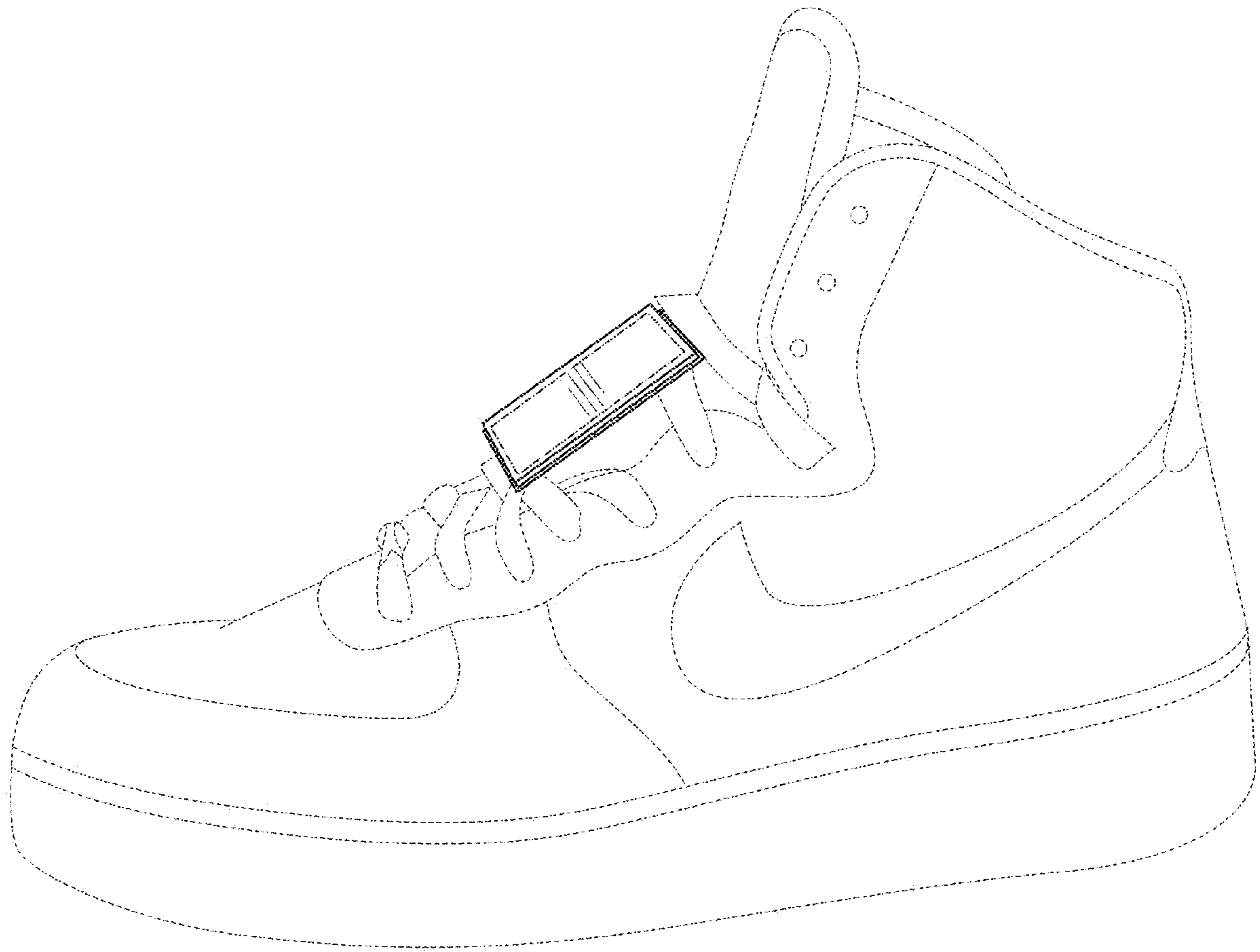


FIG. 2

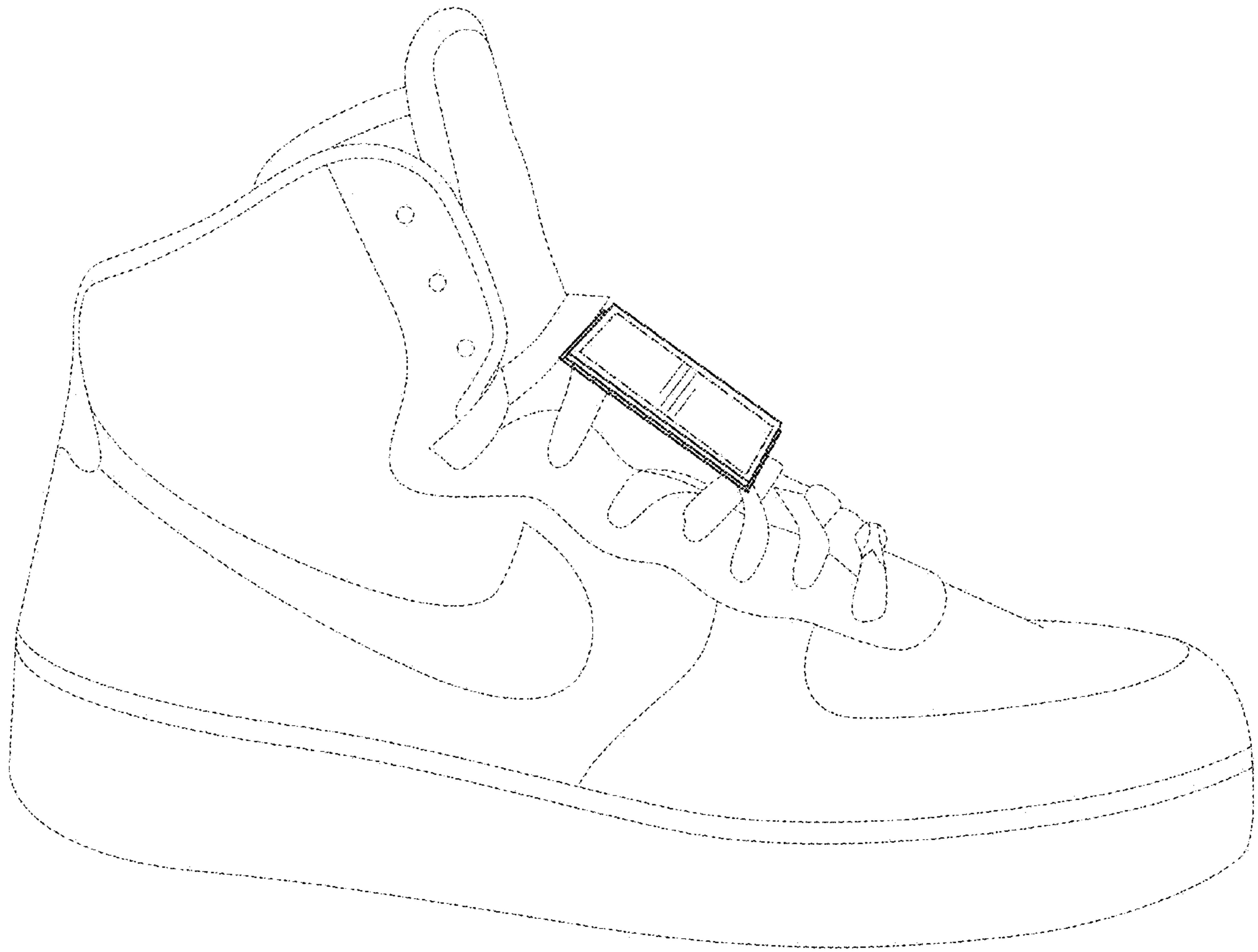


FIG. 3



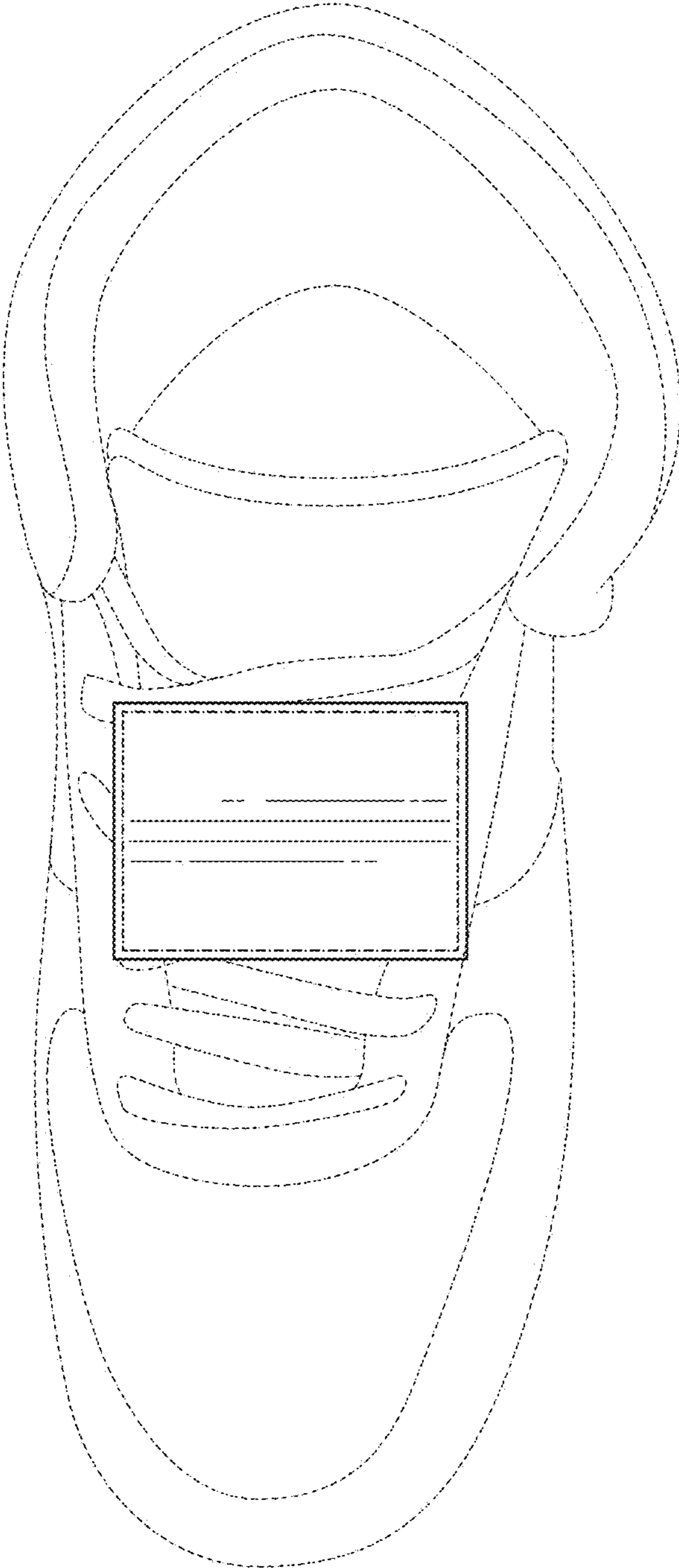


FIG. 4

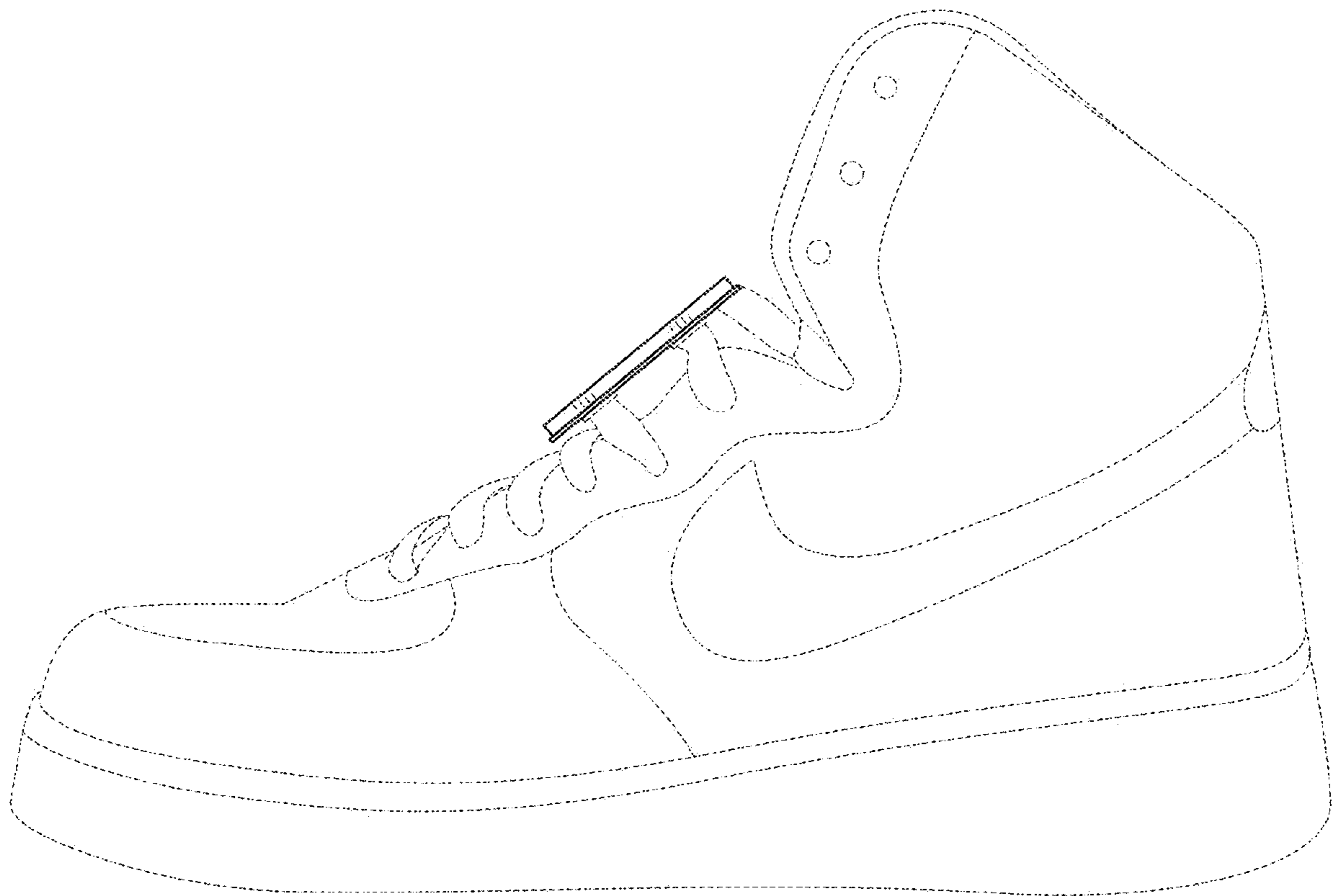


FIG. 5



FIG. 6