



US00D895240S

(12) **United States Design Patent**
Schultze

(10) **Patent No.:** **US D895,240 S**

(45) **Date of Patent:** **** Sep. 8, 2020**

(54) **SHOE**

(71) Applicant: **NIKE, Inc.**, Beaverton, OR (US)

(72) Inventor: **Nathan G. Schultze**, Portland, OR (US)

(73) Assignee: **NIKE, Inc.**, Beaverton, OR (US)

(**) Term: **15 Years**

(21) Appl. No.: **29/702,103**

(22) Filed: **Aug. 16, 2019**

(51) **LOC (12) Cl.** **02-04**

(52) **U.S. Cl.**
USPC **D2/947; D2/972**

(58) **Field of Classification Search**
USPC D2/896-900, 909-912, 947-957, 960,
D2/961, 968, 970, 972, 977
CPC ... A43B 15/00; A43B 21/00; A43B 13/00-14;
A43B 13/24-28; A43B 13/37; A43B
13/38; A43B 13/41
See application file for complete search history.

(56) **References Cited**

U.S. PATENT DOCUMENTS

D148,451 S	1/1948	Arnoff	
D443,977 S	6/2001	Fini	
D463,906 S	10/2002	Belley et al.	
D490,233 S *	5/2004	Cooper	D2/972
D495,127 S	8/2004	Marvin et al.	
D513,666 S *	1/2006	Bertholon	D2/977
D618,452 S *	6/2010	Dean	D2/946
D744,225 S *	12/2015	Thornhill	D2/973
D783,991 S	4/2017	Chang	
D793,701 S *	8/2017	Parker	D2/972
D808,629 S	1/2018	Parrett et al.	
D816,972 S	5/2018	Pauk	

D817,612 S *	5/2018	Small	D2/947
D819,312 S	6/2018	Lashmore et al.	
D822,349 S *	7/2018	Petrenka	D2/947
D827,279 S *	9/2018	Taylor	D2/972
D829,423 S *	10/2018	Robusti	D2/947
D838,966 S	1/2019	Pauk	
D840,663 S	2/2019	Flanagan et al.	
D841,298 S *	2/2019	Small	D2/947
D841,306 S	2/2019	Small	
D851,877 S *	6/2019	Small	D2/947
D851,878 S	6/2019	Pauk	
D860,622 S	9/2019	Pauk	
D874,123 S	2/2020	Cin	
D876,798 S	3/2020	Aden	
2016/0374428 A1 *	12/2016	Kormann	A43B 13/188 36/28

OTHER PUBLICATIONS

U.S. Appl. No. 29/702,096.

(Continued)

Primary Examiner — Rashida C. Walshon

(74) *Attorney, Agent, or Firm* — Banner & Witcoff, Ltd.

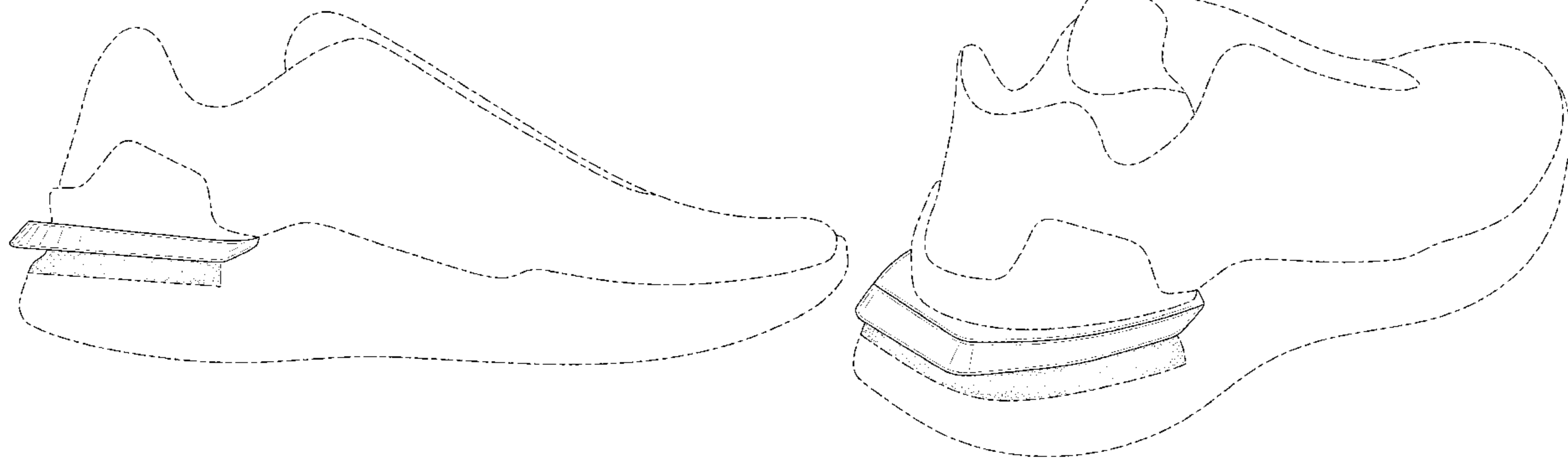
(57) **CLAIM**

The ornamental design for a shoe, as shown and described.

DESCRIPTION

FIG. 1 is a side view of a shoe showing my new design; FIG. 2 is a rear perspective view thereof; FIG. 3 is a rear view thereof; FIG. 4 is a rear opposite side perspective view thereof; and, FIG. 5 is an opposite side view thereof. The broken lines immediately adjacent to the shaded area define the bounds of the claimed design and form no part thereof. The broken lines depicting the remainder of the shoe show features that form no part of the claimed design.

1 Claim, 5 Drawing Sheets



(56)

References Cited

OTHER PUBLICATIONS

U.S. Appl. No. 29/688,311.

Nike Footwear Catalog, 2015 Spring Men's Performance Footwear,
p. 41, published May 14, 2014, NIKE, Inc., USA.

Nike Footwear Catalog, 2015 Spring Men's Performance Footwear,
p. 122, published May 14, 2014, NIKE, Inc., USA.

Nike Footwear Catalog, 2016 Spring Athletic Apparel Footwear
Catalog, p. 11, published May 2015, NIKE, Inc., USA.

* cited by examiner

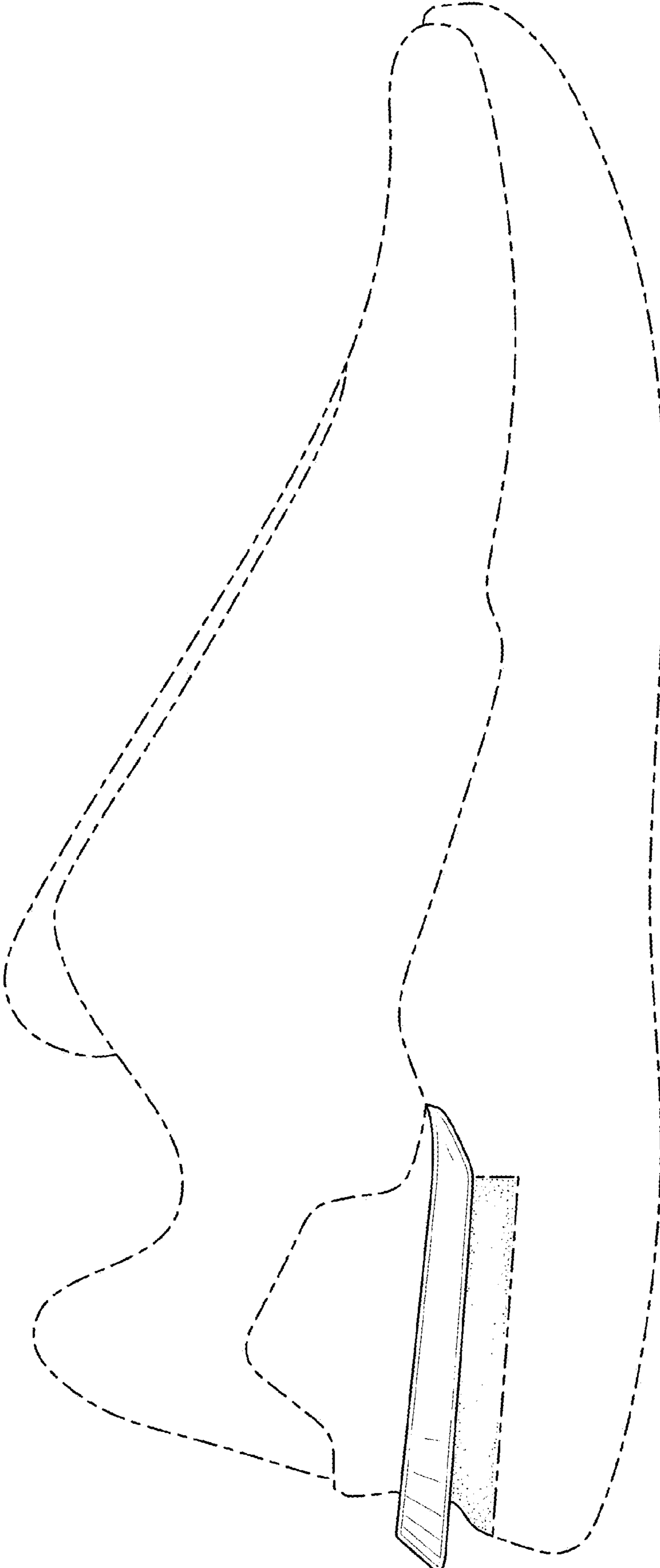


FIG. 1



FIG. 2

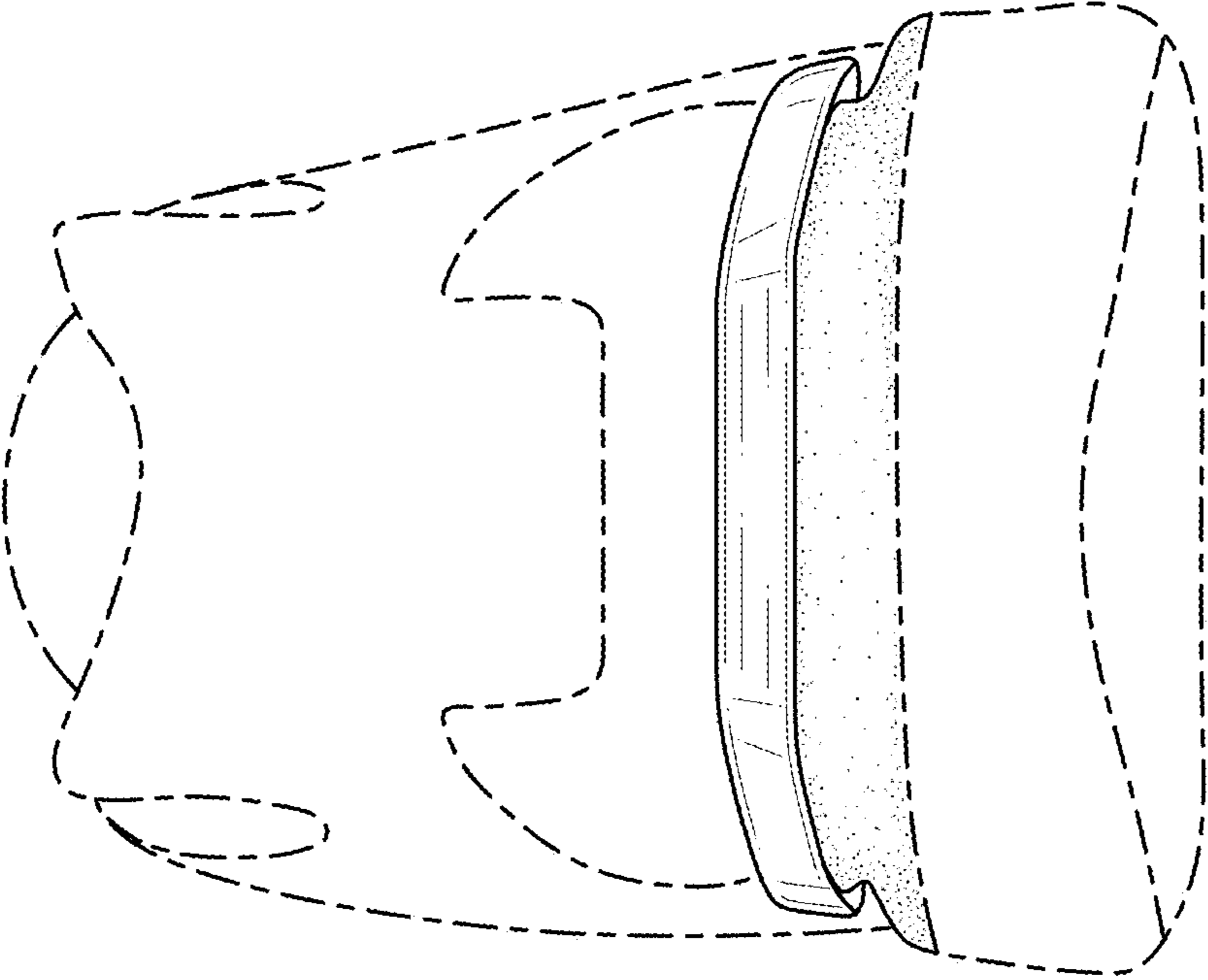


FIG. 3

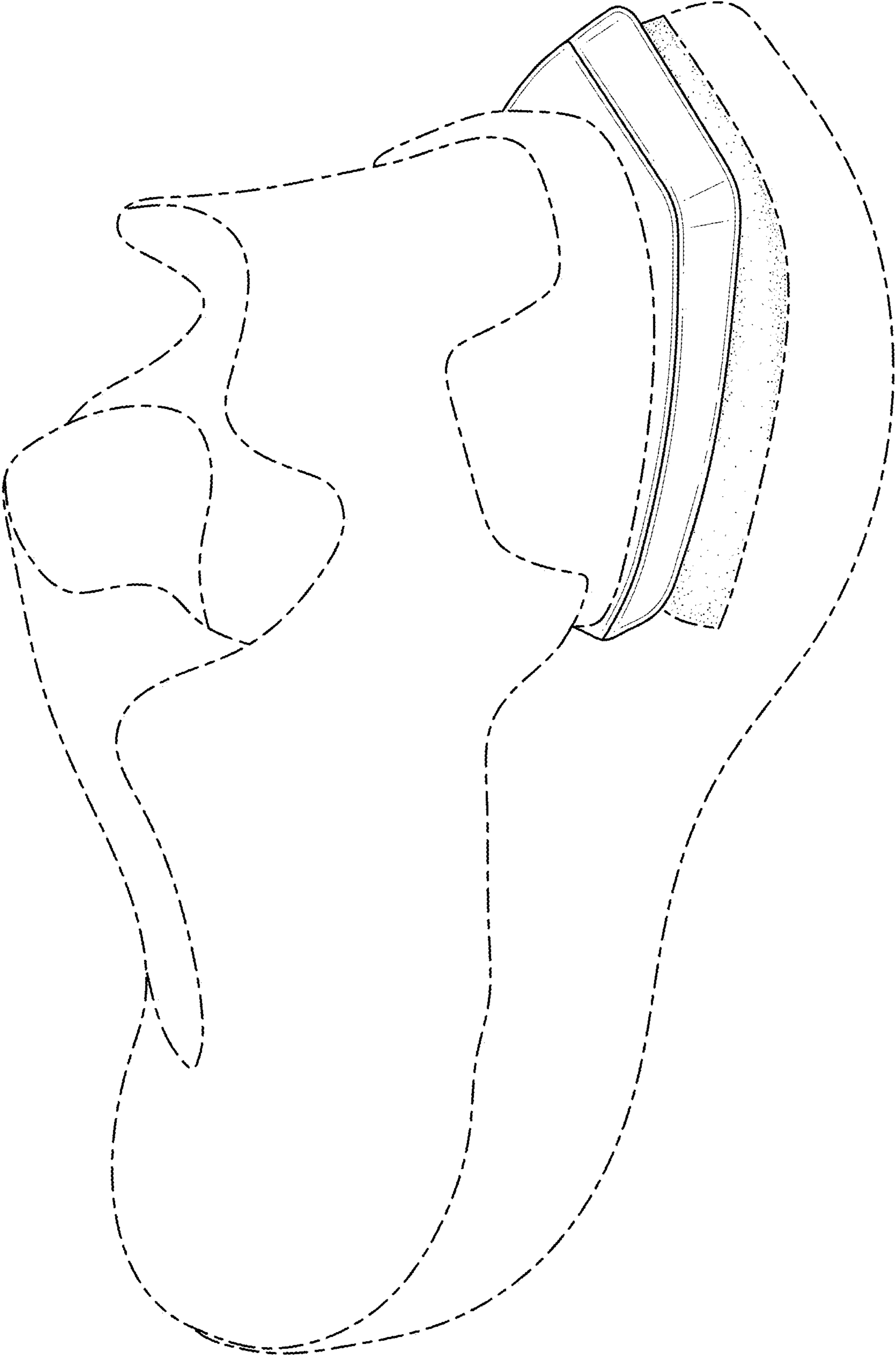


FIG. 4

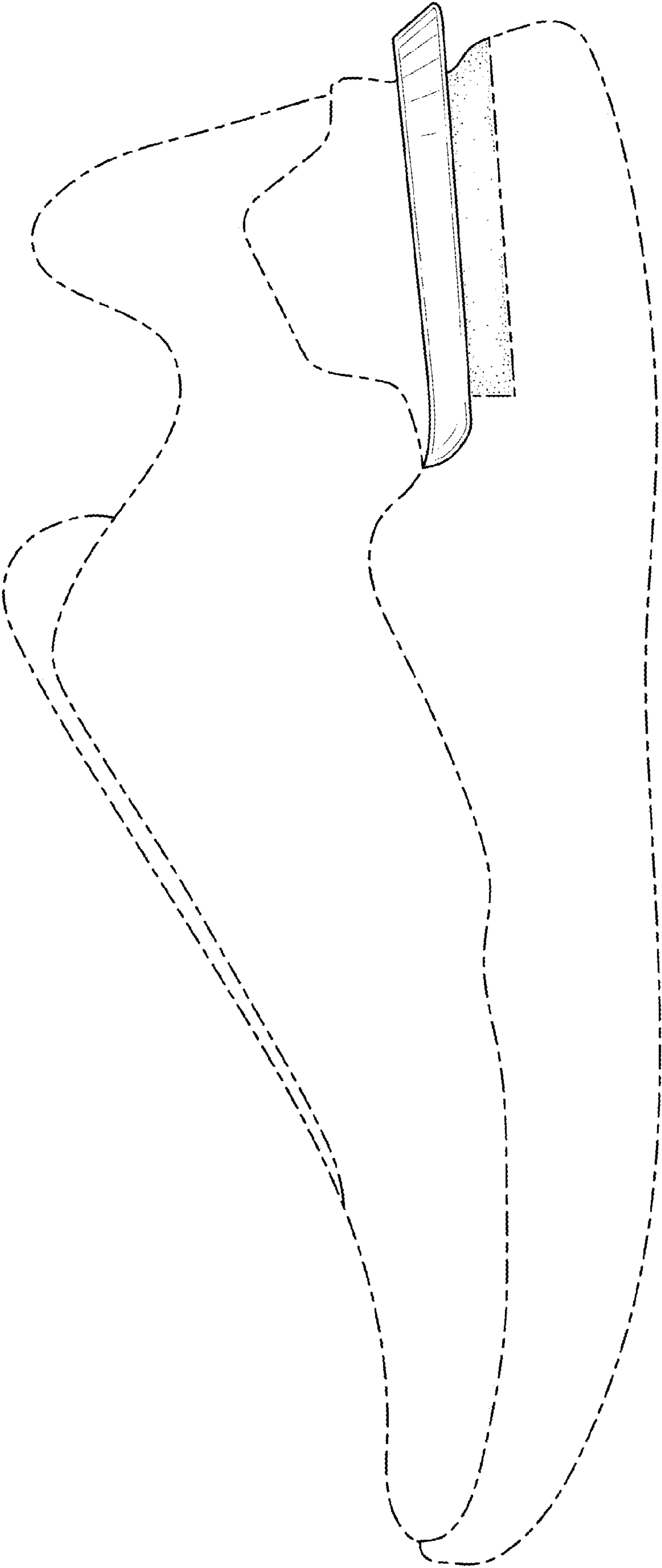


FIG. 5