



US00D895229S

(12) **United States Design Patent**  
**Harrison**

(10) **Patent No.:** **US D895,229 S**

(45) **Date of Patent:** **\*\* Sep. 8, 2020**

(54) **SHAPE FITTING BODY UNDERGARMENT**

(71) Applicant: **Stephanie Andrea Harrison,**  
Pembroke Pines, FL (US)

(72) Inventor: **Stephanie Andrea Harrison,**  
Pembroke Pines, FL (US)

(\*\*) Term: **15 Years**

(21) Appl. No.: **29/679,634**

(22) Filed: **Feb. 7, 2019**

(51) **LOC (12) Cl.** ..... **02-02**

(52) **U.S. Cl.**  
USPC ..... **D2/702**

(58) **Field of Classification Search**  
USPC ..... D2/701-703, 731-732; 2/55, 107, 67  
CPC .... A41B 9/08; A41C 1/00; A41C 1/02; A41D  
7/00

See application file for complete search history.

(56) **References Cited**

**U.S. PATENT DOCUMENTS**

D177,771	S *	5/1956	Sparadoski	.....	D2/703
D681,911	S *	5/2013	Lee	.....	D2/703
D799,788	S *	10/2017	Butler	.....	D2/731
D806,360	S *	1/2018	Musciacchio	.....	D2/731
D824,143	S *	7/2018	Witherspoon	.....	D2/732
2012/0196508	A1 *	8/2012	Anvaripour	.....	A41C 1/003 450/8
2019/0045855	A1 *	2/2019	Musciacchio	.....	A41D 7/00
2019/0053547	A1 *	2/2019	Butler	.....	A41D 7/005
2019/0373960	A1 *	12/2019	Cano	.....	A41B 9/005

\* cited by examiner

*Primary Examiner* — Barbara Fox

*Assistant Examiner* — J. Thorn, Sr.

(74) *Attorney, Agent, or Firm* — Mark C. Johnson;  
Johnson | Dalal

(57) **CLAIM**

The ornamental design for a shape fitting body undergarment, as shown and described.

**DESCRIPTION**

FIG. 1 is a right perspective view of a shape fitting body undergarment in accordance with the present invention; the broken lines depicted therein illustrating an exemplary human form for display purposes and that forms no part of the claimed design;

FIG. 2 is a left perspective view of the shape fitting body undergarment of FIG. 1;

FIG. 3 is a front elevational view of the shape fitting body undergarment;

FIG. 4 is a right-side elevational view of the shape fitting body undergarment of FIG. 3;

FIG. 5 is a left-side elevational view of the shape fitting body undergarment of FIG. 3;

FIG. 6 is a top plan view of the shape fitting body undergarment of FIG. 3;

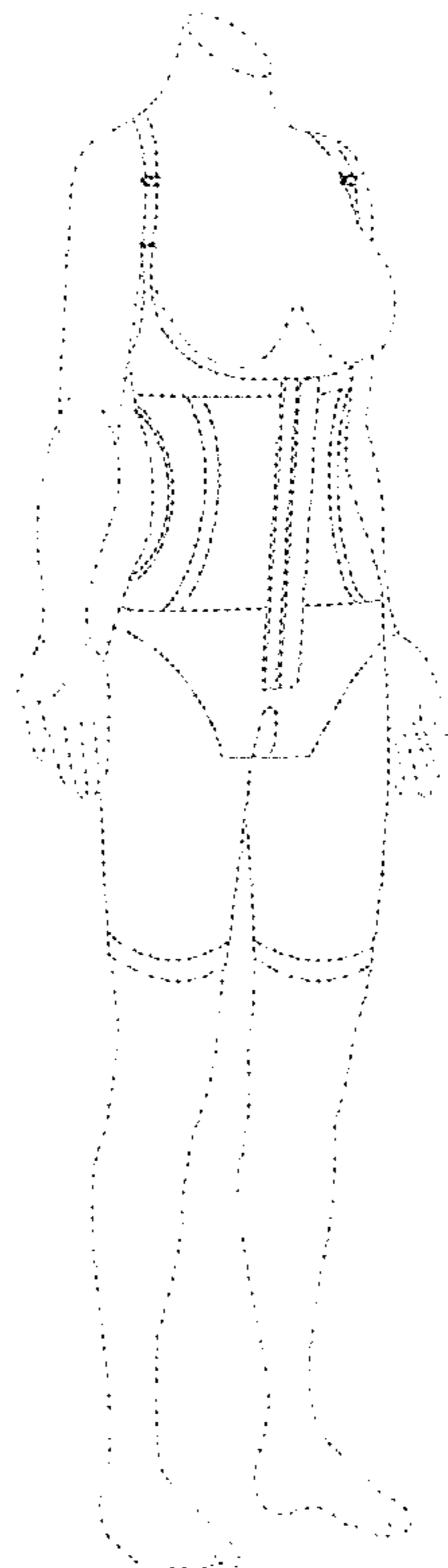
FIG. 7 is a bottom plan view of the shape fitting body undergarment of FIG. 3;

FIG. 8 is a rear elevational view of the shape fitting body undergarment of FIG. 3; and,

FIG. 9 is a perspective view of the shape fitting body undergarment of FIG. 3.

The clasps shown with broken lines in FIGS. 1-3, 6-7, and 9 on the front of the shape fitting body undergarment form no part of the claimed design.

**1 Claim, 8 Drawing Sheets**



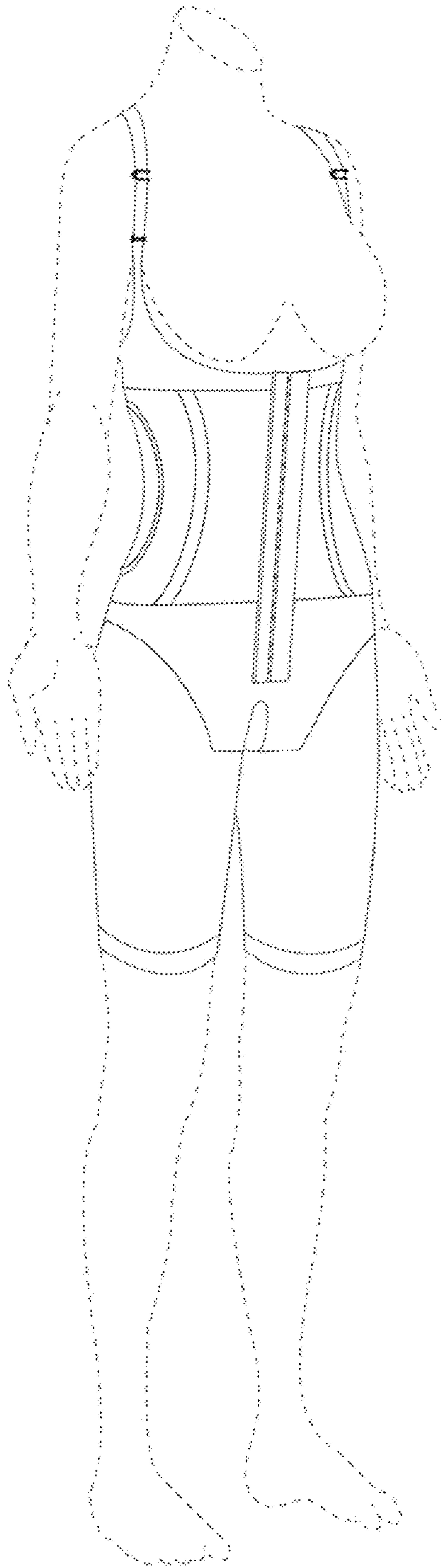


FIG. 1

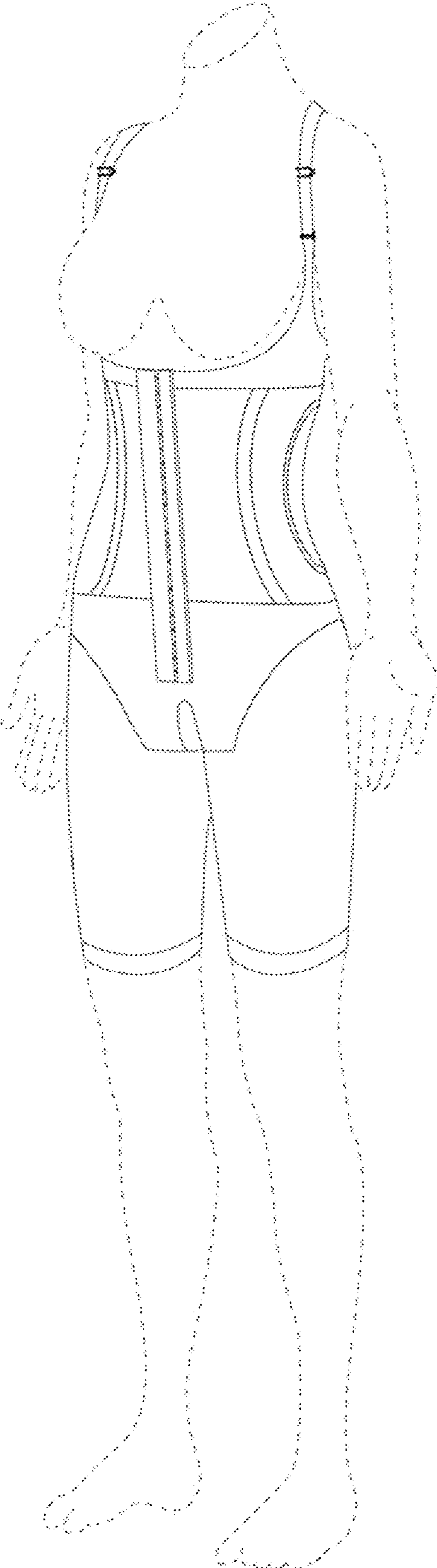


FIG. 2

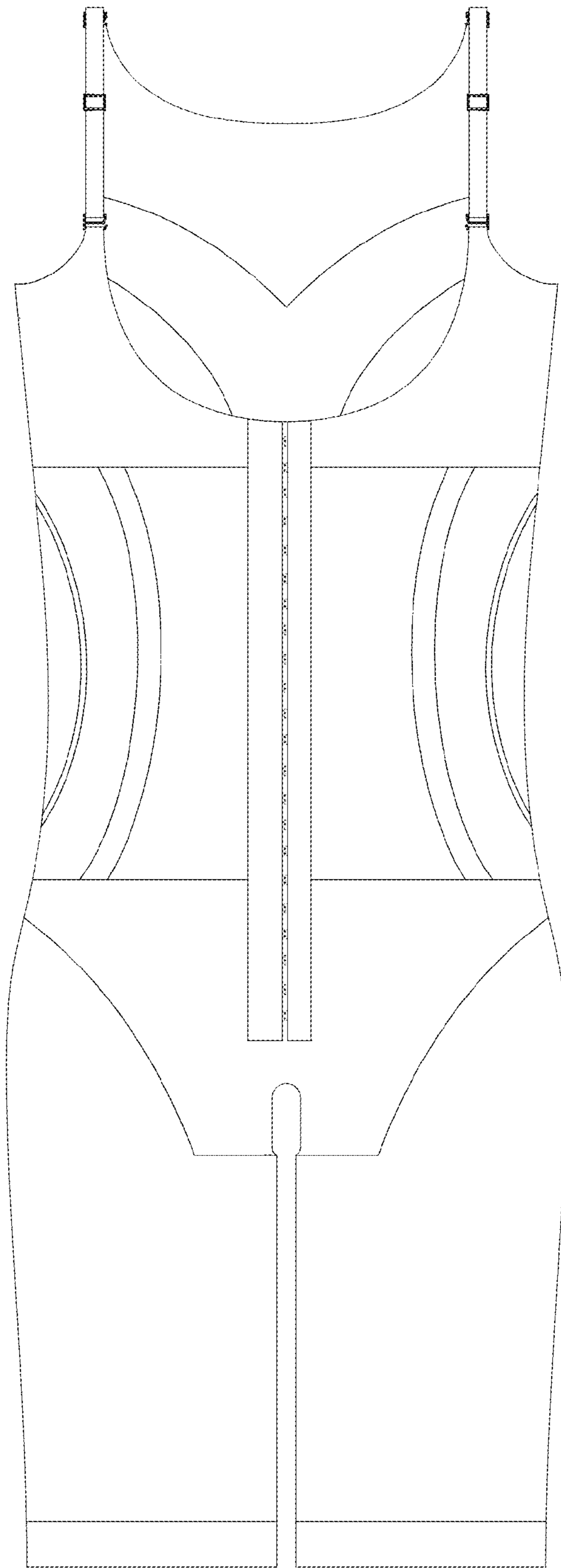


FIG. 3

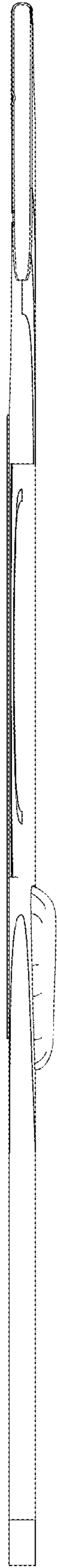


FIG. 4

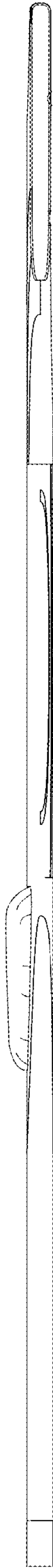


FIG. 5

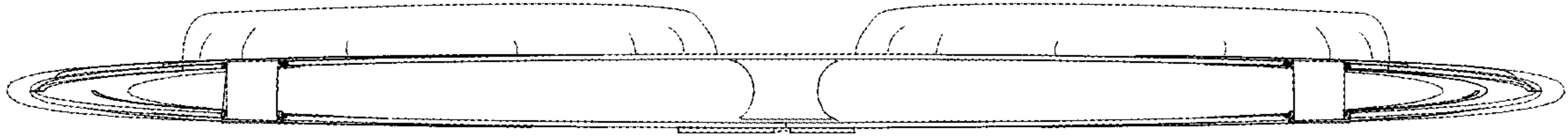


FIG. 6

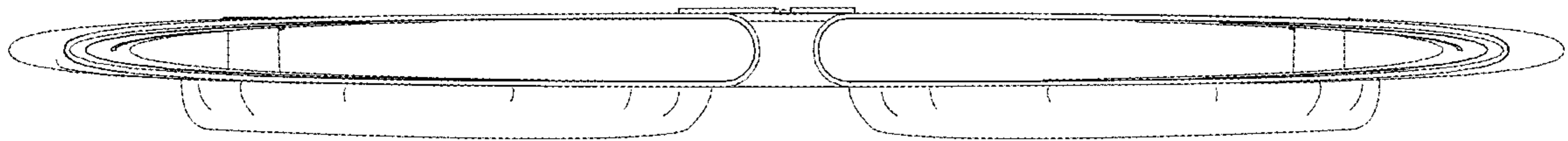


FIG. 7

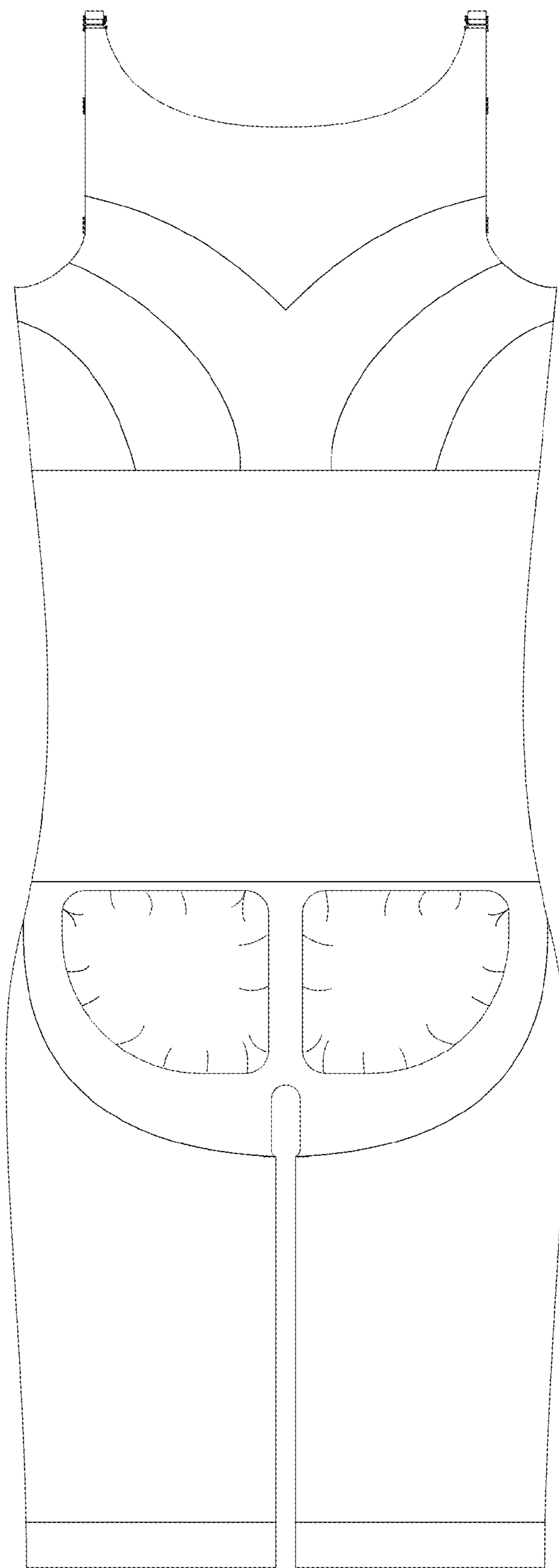


FIG. 8



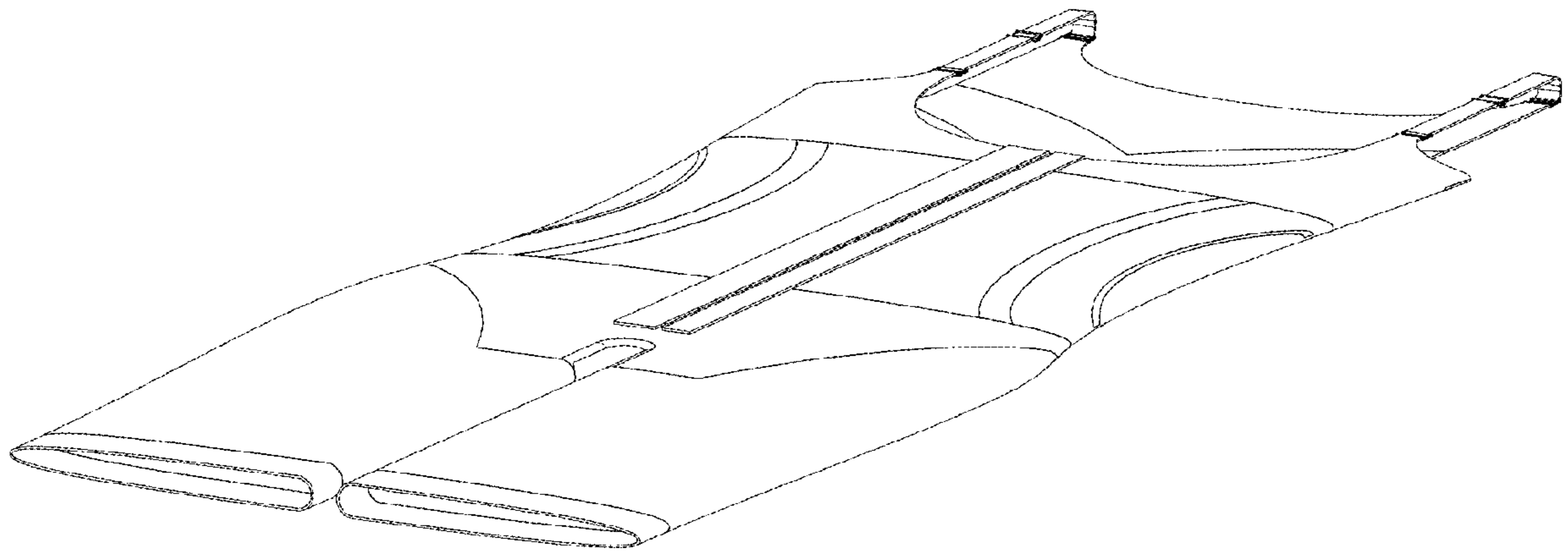


FIG. 9