



US00D895224S

(12) **United States Design Patent** (10) **Patent No.:** **US D895,224 S**
Kalinowski et al. (45) **Date of Patent:** **** Sep. 1, 2020**

(54) **PALLET**
(71) Applicant: **Rehrig Pacific Company**, Los Angeles, CA (US)
(72) Inventors: **Dane Gin Mun Kalinowski**, Foothill Ranch, CA (US); **Way Joe Lee**, Marietta, GA (US)
(73) Assignee: **Rehrig Pacific Company**, Los Angeles, CA (US)
(**) Term: **15 Years**

4,013,021 A 3/1977 Steinlein et al.
4,133,270 A 1/1979 Ravera
D258,948 S 4/1981 Stump, Jr.
4,263,855 A 4/1981 Lawlor
4,428,306 A 1/1984 Dresen et al.
4,879,956 A 11/1989 Shuert
5,046,434 A 9/1991 Breezer et al.
5,088,418 A 2/1992 Reckermann et al.
5,117,762 A 6/1992 Shuert
5,168,817 A 12/1992 Nulle et al.
5,527,585 A 6/1996 Needham et al.
D371,670 S * 7/1996 Carlsson D34/38
5,566,624 A 10/1996 Brown et al.
5,606,921 A 3/1997 Elder et al.
5,615,608 A 4/1997 Shaw et al.

(Continued)

(21) Appl. No.: **29/735,371**

(22) Filed: **May 20, 2020**

(51) **LOC (12) Cl.** **09-08**

(52) **U.S. Cl.**
USPC **D34/38**

(58) **Field of Classification Search**
USPC D34/38; D3/307
CPC B65D 2519/00323; B65D 2519/00293;
B65D 2519/00333; B65D 2519/00273;
B65D 2519/00572; B65D 2519/00338;
B65D 2519/00288; B65D 2519/00094;
B65D 2519/00069; B65D 2519/00318

See application file for complete search history.

(56) **References Cited**

U.S. PATENT DOCUMENTS

2,544,657 A 3/1951 Cushman
2,916,239 A 12/1959 Stopps
3,424,110 A 1/1969 Toot
3,526,195 A 9/1970 Maryonovich
3,640,229 A 2/1972 Bell
3,685,461 A 8/1972 Belcher
3,685,463 A 8/1972 Francis
D225,397 S 12/1972 Lindley
3,709,162 A 1/1973 Roper

FOREIGN PATENT DOCUMENTS

DE 2232200 A1 1/1973
DE 2613083 A1 10/1977

(Continued)

Primary Examiner — Cynthia Ramirez
(74) *Attorney, Agent, or Firm* — Carlson, Gaskey & Olds, P.C.

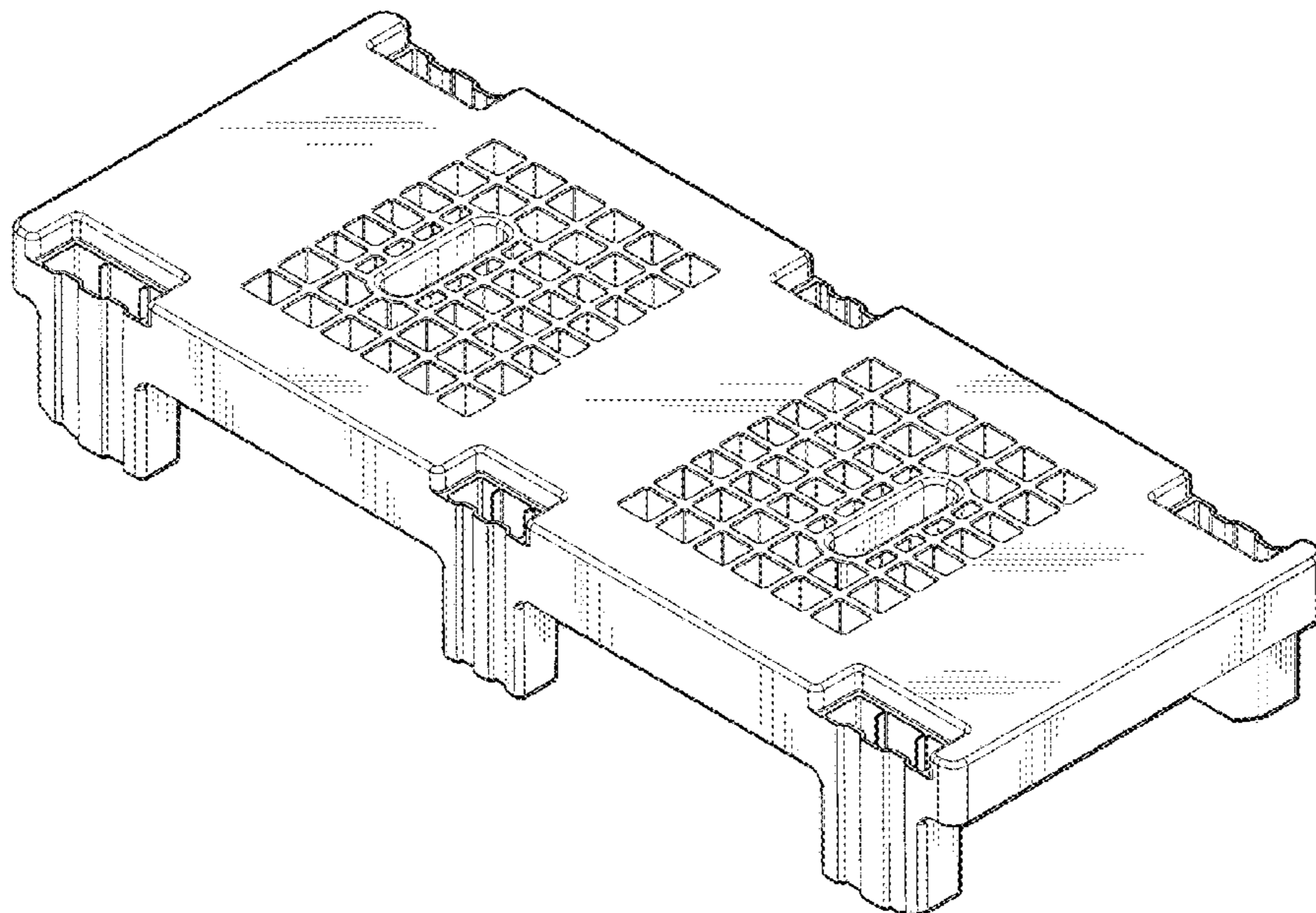
(57) **CLAIM**

The ornamental design for a pallet, as shown and described.

DESCRIPTION

FIG. 1 is a perspective view of a pallet, showing our new design.
FIG. 2 is a first side view of the pallet of FIG. 1. The opposite side would be identical.
FIG. 3 is an end view of the pallet of FIG. 1. The opposite end would be identical.
FIG. 4 is a top view of the pallet of FIG. 1.
FIG. 5 is a bottom view of the pallet of FIG. 1; and,
FIG. 6 is a bottom perspective view of the pallet of FIG. 1.

1 Claim, 5 Drawing Sheets



(56)

References Cited

U.S. PATENT DOCUMENTS

5,638,760 A 6/1997 Jordan et al.
 5,664,934 A 9/1997 Schaeede et al.
 D388,931 S 1/1998 Constantino et al.
 5,755,162 A 5/1998 Knight et al.
 5,769,001 A 6/1998 Viessmann
 5,769,003 A 6/1998 Rose et al.
 5,791,262 A 8/1998 Knight et al.
 5,809,905 A 9/1998 John et al.
 5,813,355 A 9/1998 Brown et al.
 D400,681 S 11/1998 Sadr
 D400,682 S 11/1998 Constantino et al.
 5,857,416 A 1/1999 Donnell, Jr. et al.
 5,950,545 A 9/1999 Shuert
 5,964,162 A 10/1999 Chuan-Jen
 5,996,508 A 12/1999 Constantino et al.
 6,123,032 A 9/2000 Ohanesian
 6,289,823 B1 9/2001 Koefeldt et al.
 6,294,114 B1 9/2001 Muirhead
 6,327,984 B1 12/2001 McCann et al.
 6,718,888 B2 4/2004 Muirhead
 D513,104 S 12/2005 Harding et al.
 6,997,113 B1 2/2006 Harding et al.
 7,114,906 B1 10/2006 Baumgarner et al.
 D548,924 S * 8/2007 Frankenberg B65D 19/0028
 D34/38
 7,293,509 B2 11/2007 Hassell
 7,360,493 B2 4/2008 Hummel et al.
 7,690,315 B2 4/2010 Apps
 7,735,429 B2 6/2010 Meissen
 7,735,430 B2 6/2010 Muirhead
 7,819,068 B2 10/2010 Apps et al.
 7,856,932 B2 12/2010 Stahl et al.
 7,874,256 B2 1/2011 Muirhead
 7,987,797 B2 8/2011 Stahl et al.
 7,988,405 B2 8/2011 Ellington
 8,011,677 B1 9/2011 Ellington et al.
 8,075,244 B2 12/2011 Ellington
 8,191,486 B2 6/2012 Apps et al.
 8,196,527 B2 6/2012 Linares
 8,210,107 B2 7/2012 Muirhead
 8,230,793 B2 7/2012 Apps
 8,282,111 B2 10/2012 Hailston et al.
 8,291,839 B2 10/2012 Apps et al.
 8,360,443 B2 1/2013 Ellington
 8,448,583 B2 5/2013 Apps et al.
 8,776,697 B1 7/2014 O'Connell
 8,894,076 B2 11/2014 Hailston et al.
 8,950,759 B2 2/2015 Thorsen et al.
 D724,809 S 3/2015 Howland et al.
 8,967,056 B2 3/2015 Apps et al.
 D729,488 S 5/2015 Pulskamp et al.
 9,027,487 B1 5/2015 O'Connell
 9,120,596 B2 9/2015 Dunn
 9,169,040 B2 10/2015 Evans et al.
 9,221,580 B2 12/2015 Zelek et al.
 9,242,760 B2 1/2016 Nevo
 9,260,125 B2 2/2016 Ellington et al.
 D753,392 S 4/2016 Haas et al.
 D756,645 S 5/2016 Haas et al.
 9,387,953 B2 7/2016 Takyar et al.
 9,403,547 B2 8/2016 Ellington
 9,481,488 B2 11/2016 Lewis
 9,611,071 B2 4/2017 Baltz et al.
 10,232,979 B2 3/2019 Takyar et al.
 D866,912 S * 11/2019 Sostmann B65D 19/004
 D34/38
 10,479,553 B2 11/2019 Guerry et al.
 10,479,661 B2 11/2019 King et al.
 10,494,140 B2 12/2019 Shuert
 10,494,141 B2 12/2019 Wood et al.
 10,538,360 B2 1/2020 Thompson
 2001/0029874 A1 10/2001 Muirhead
 2002/0017225 A1 2/2002 Koefeldt et al.

2003/0209171 A1 11/2003 Milles
 2004/0134390 A1 7/2004 Apps et al.
 2004/0168618 A1 9/2004 Muirhead
 2005/0211139 A1 9/2005 Perrotta et al.
 2005/0263043 A1 12/2005 Proudlove
 2006/0032411 A1 2/2006 Hummel et al.
 2006/0075939 A1 * 4/2006 Shuert B65D 19/0016
 108/57.25
 2006/0162624 A1 7/2006 Hassell
 2006/0254476 A1 11/2006 MacDonald et al.
 2007/0131148 A1 6/2007 Wu
 2007/0210542 A1 9/2007 Hammond
 2007/0272640 A1 11/2007 Garcia
 2008/0060561 A1 3/2008 Carrasco
 2008/0295748 A1 12/2008 Yoshida et al.
 2009/0050030 A1 2/2009 Apps et al.
 2009/0183953 A1 7/2009 Ellington
 2009/0185890 A1 7/2009 Ellington
 2010/0043676 A1 * 2/2010 Apps B65D 19/004
 108/53.3
 2010/0043678 A1 2/2010 Linares
 2010/0095875 A1 4/2010 Hailston et al.
 2010/0154685 A1 6/2010 Arinstein
 2010/0196134 A1 8/2010 Stahl et al.
 2010/0295261 A1 11/2010 Ellington
 2010/0326334 A1 12/2010 Lin
 2011/0100268 A1 5/2011 Milkowski et al.
 2011/0139040 A1 6/2011 Apps et al.
 2011/0171000 A1 7/2011 Hailston
 2011/0179978 A1 7/2011 Schmitt
 2011/0187022 A1 8/2011 Muirhead
 2012/0048154 A1 3/2012 Toomer et al.
 2012/0291678 A1 11/2012 Howland et al.
 2012/0319063 A1 12/2012 Hailston et al.
 2013/0133557 A1 5/2013 Yoshinaga
 2013/0202400 A1 8/2013 Richard et al.
 2013/0223962 A1 8/2013 Ellington et al.
 2014/0000493 A1 1/2014 Apps et al.
 2014/0283713 A1 9/2014 Baltz et al.
 2015/0108037 A1 4/2015 Evans et al.
 2015/0135999 A1 5/2015 Takyar et al.
 2015/0225215 A1 8/2015 King et al.
 2016/0167831 A1 6/2016 Suiter et al.
 2016/0318656 A1 11/2016 Takyar et al.
 2016/0318657 A1 11/2016 Takyar et al.
 2017/0240194 A1 8/2017 Kalinowski et al.
 2017/0341667 A1 11/2017 Kalinowski et al.
 2018/0029623 A1 2/2018 Kalinowski et al.
 2018/0162434 A1 7/2018 Kalinowski et al.
 2019/0337673 A1 11/2019 O'Connell

FOREIGN PATENT DOCUMENTS

DE 2733457 2/1979
 DE 3806097 9/1989
 EP 202203 11/1986
 EP 849184 6/1998
 EP 2028117 2/2009
 EP 2724956 4/2014
 FR 1449377 8/1966
 FR 2206248 6/1974
 FR 2259023 8/1975
 FR 2274512 1/1976
 FR 2486029 1/1982
 GB 859186 1/1961
 GB 901340 7/1962
 HU 9303243 3/1994
 HU 9900326 5/1999
 JP 53058581 5/1978
 JP 04114859 4/1994
 JP 06179448 6/1994
 JP 06191536 7/1994
 WO WO9411262 5/1994
 WO WO2004063035 7/2004
 WO WO2005068309 7/2005

* cited by examiner

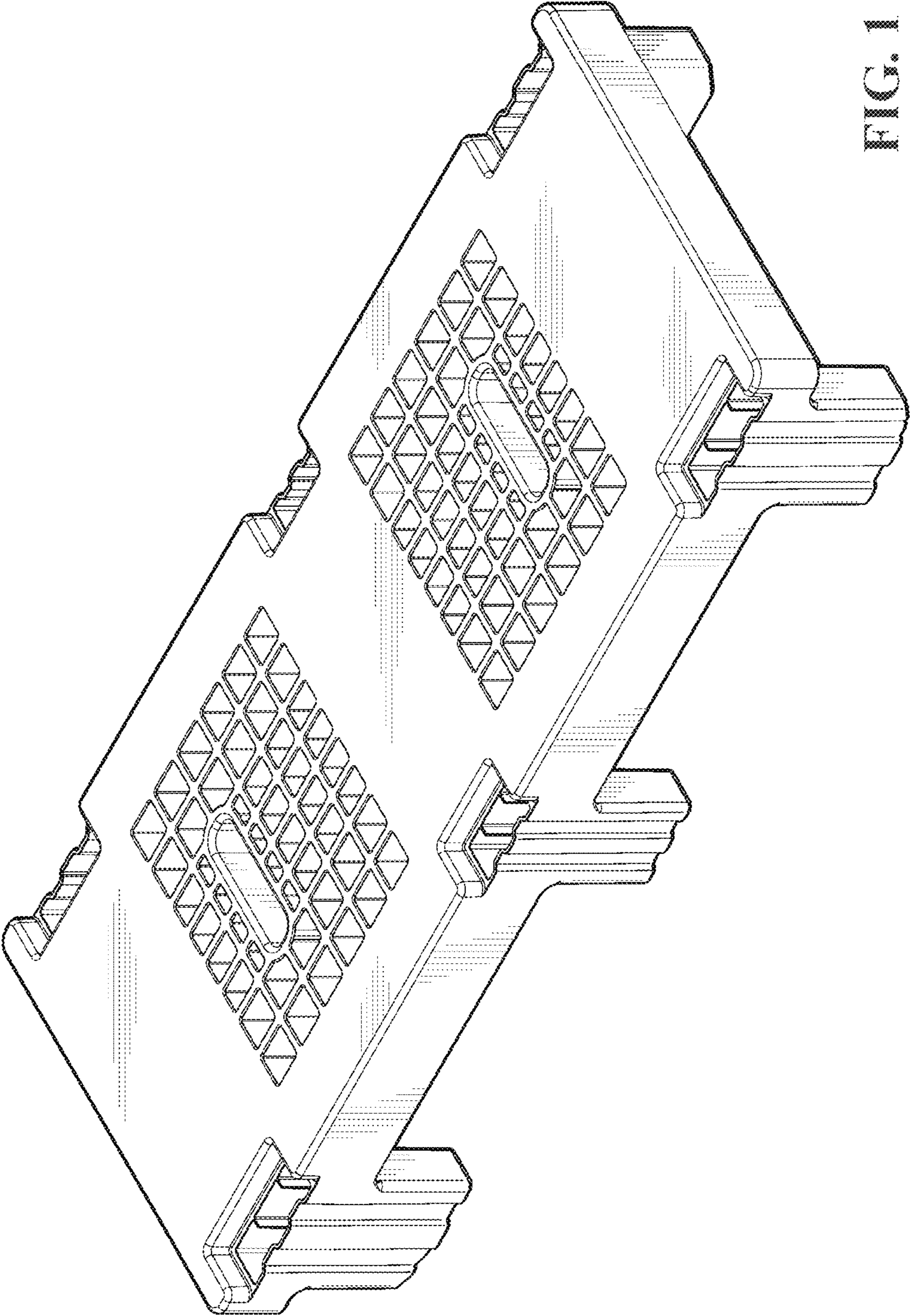


FIG. 1

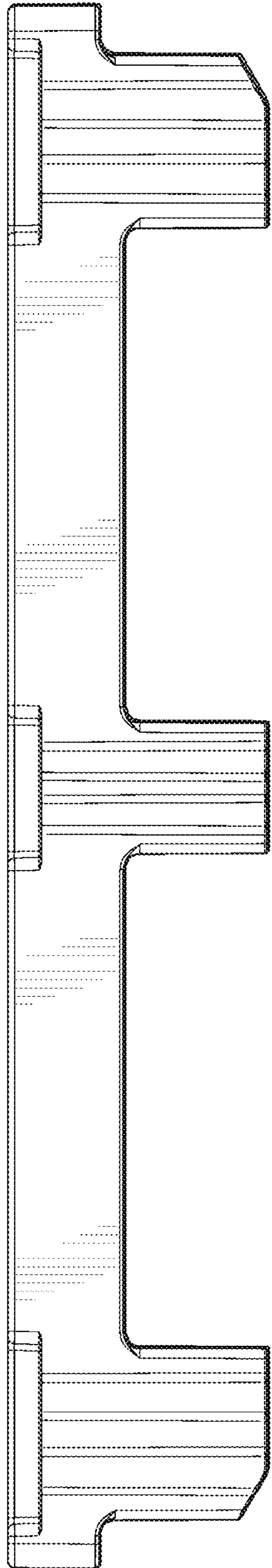


FIG. 2

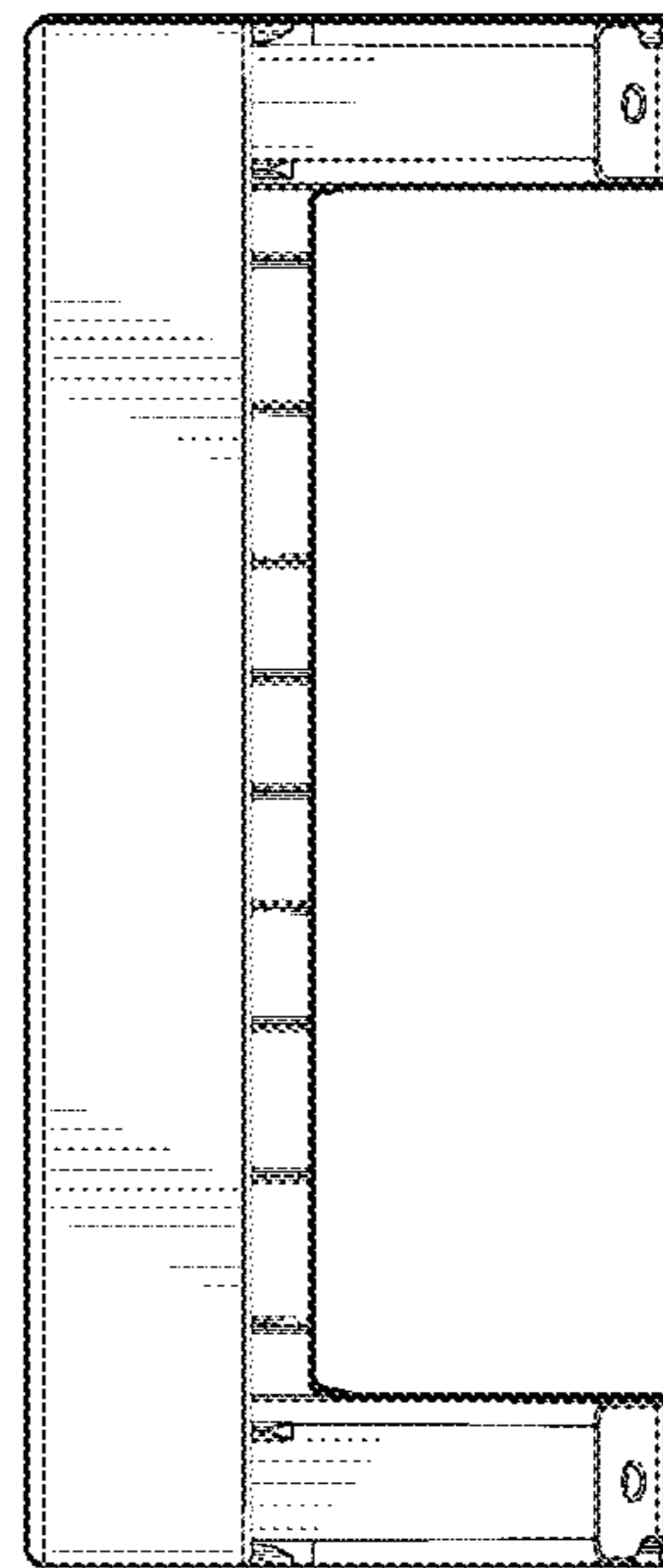


FIG. 3

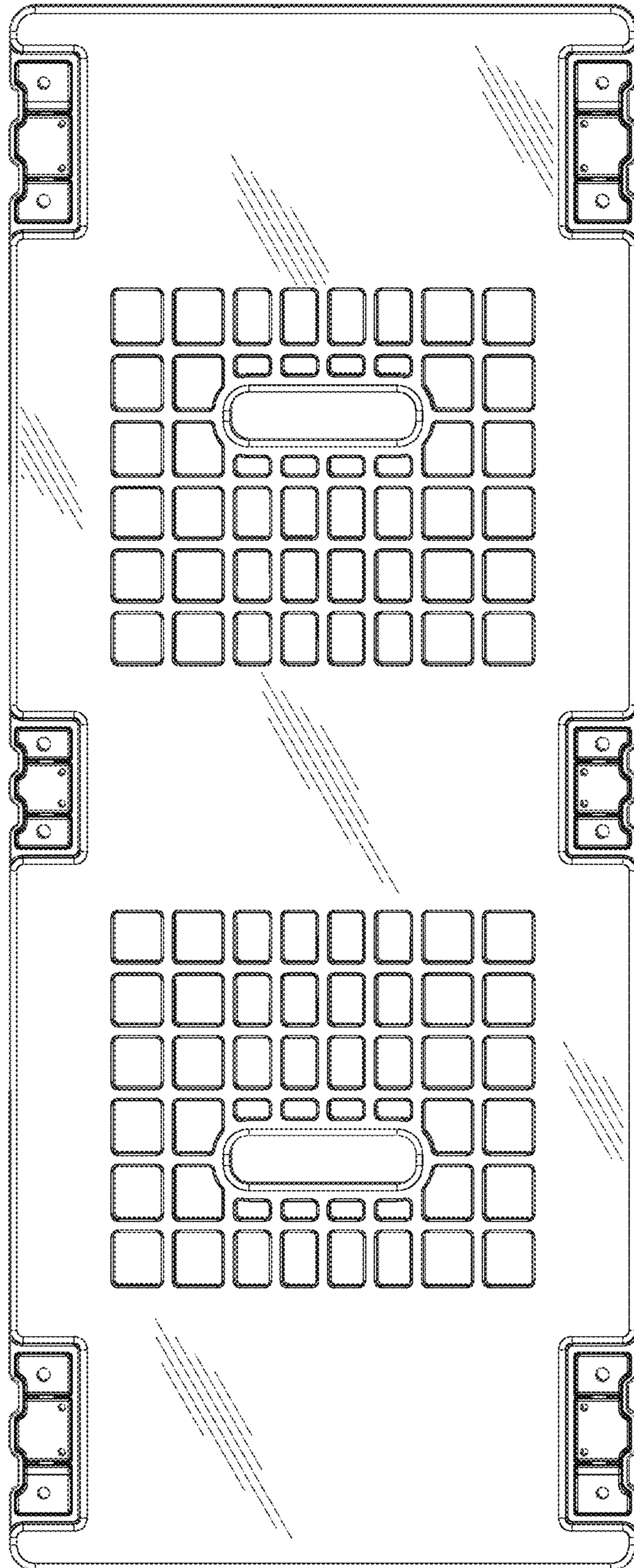


FIG. 4

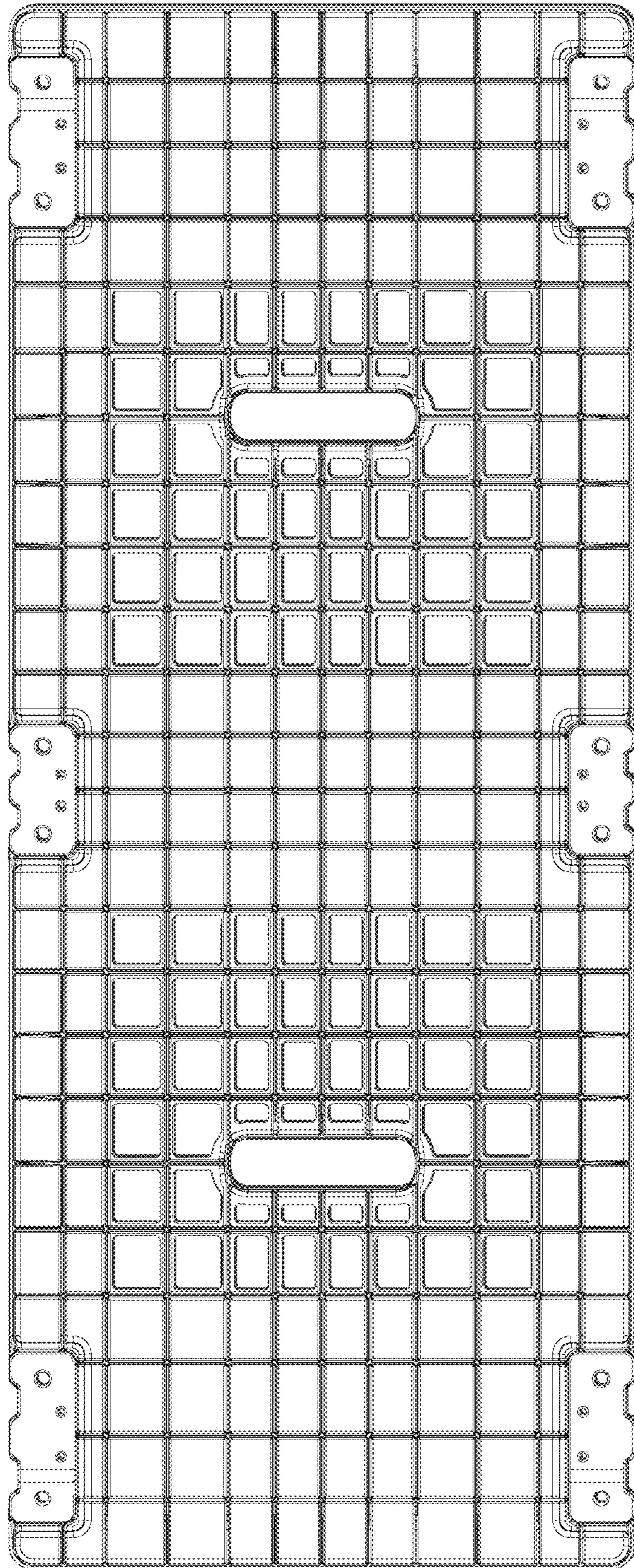


FIG. 5

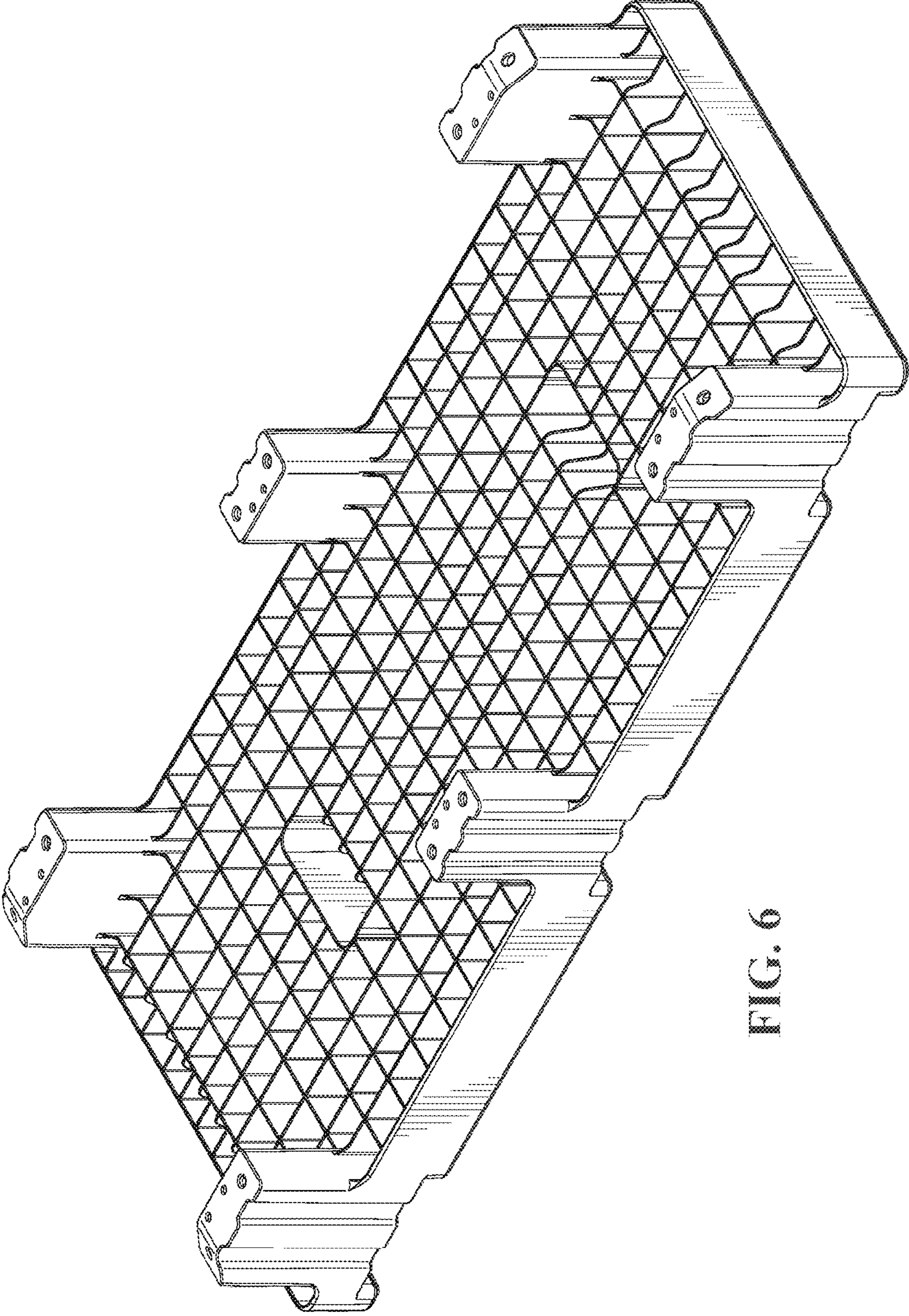


FIG. 6