



US00D895223S

(12) **United States Design Patent** (10) **Patent No.:** **US D895,223 S**  
**Kalinowski et al.** (45) **Date of Patent:** **\*\* Sep. 1, 2020**

(54) **PALLET**  
(71) Applicant: **Rehrig Pacific Company**, Los Angeles, CA (US)  
(72) Inventors: **Dane Gin Mun Kalinowski**, Foothill Ranch, CA (US); **Way Joe Lee**, Marietta, GA (US)  
(73) Assignee: **Rehrig Pacific Company**, Los Angeles, CA (US)  
(\*\*) Term: **15 Years**

4,013,021 A 3/1977 Steinlein et al.  
4,133,270 A 1/1979 Ravera  
D258,948 S 4/1981 Stump, Jr.  
4,263,855 A 4/1981 Lawlor  
4,428,306 A 1/1984 Dresen et al.  
4,879,956 A 11/1989 Shuert  
5,046,434 A 9/1991 Breezer et al.  
5,088,418 A 2/1992 Reckermann et al.  
5,117,762 A 6/1992 Shuert  
5,168,817 A 12/1992 Nulle et al.  
5,527,585 A 6/1996 Needham et al.  
D371,670 S \* 7/1996 Carlsson ..... D34/38  
5,566,624 A 10/1996 Brown  
5,606,921 A 3/1997 Elder et al.  
5,615,608 A 4/1997 Shaw et al.

(Continued)

(21) Appl. No.: **29/735,364**

(22) Filed: **May 20, 2020**

(51) **LOC (12) Cl.** ..... **09-08**

(52) **U.S. Cl.**  
USPC ..... **D34/38**

(58) **Field of Classification Search**  
USPC ..... D34/38; D3/307  
CPC ..... B65D 2519/00323; B65D 2519/00293;  
B65D 2519/00333; B65D 2519/00273;  
B65D 2519/00572; B65D 2519/00338;  
B65D 2519/00288; B65D 2519/00094;  
B65D 2519/00069; B65D 2519/00318

See application file for complete search history.

(56) **References Cited**

U.S. PATENT DOCUMENTS

2,544,657 A 3/1951 Cushman  
2,916,239 A 12/1959 Stopps  
3,424,110 A 1/1969 Toot  
3,526,195 A 9/1970 Maryonovich  
3,640,229 A 2/1972 Bell  
3,685,461 A 8/1972 Belcher  
3,685,463 A 8/1972 Francis  
D225,397 S 12/1972 Lindley  
3,709,162 A 1/1973 Roper

FOREIGN PATENT DOCUMENTS

DE 2232200 A1 1/1973  
DE 2613083 A1 10/1977

(Continued)

*Primary Examiner* — Cynthia Ramirez

(74) *Attorney, Agent, or Firm* — Carlson, Gaskey & Olds, P.C.

(57) **CLAIM**

The ornamental design for a pallet, as shown and described.

**DESCRIPTION**

FIG. 1 is a perspective view of a pallet, showing our new design.

FIG. 2 is a first side view of the pallet of FIG. 1. The opposite side would be identical.

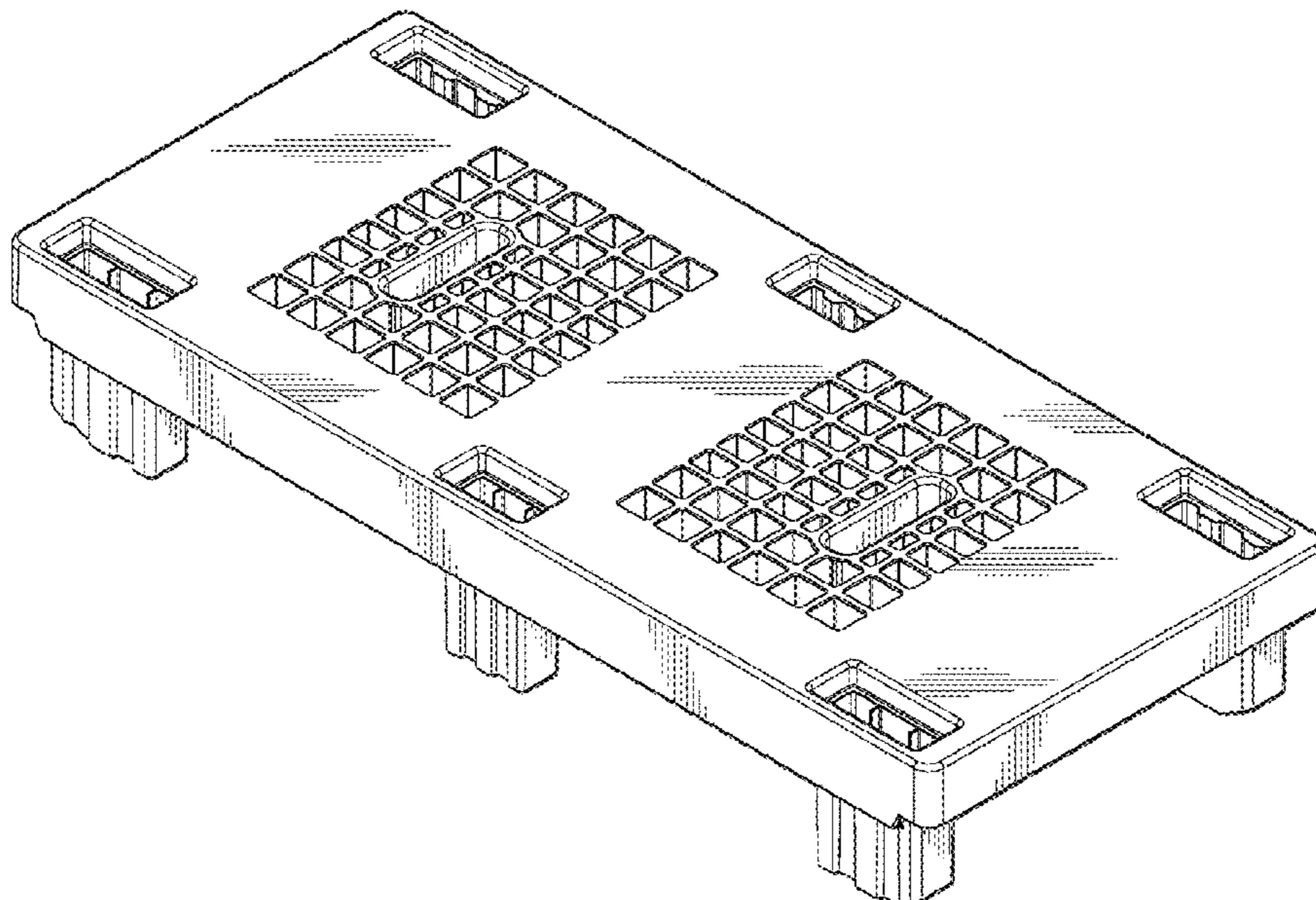
FIG. 3 is an end view of the pallet of FIG. 1. The opposite end would be identical.

FIG. 4 is a top view of the pallet of FIG. 1.

FIG. 5 is a bottom view of the pallet of FIG. 1; and,

FIG. 6 is a bottom perspective view of the pallet of FIG. 1.

**1 Claim, 5 Drawing Sheets**



(56)

References Cited

U.S. PATENT DOCUMENTS

5,638,760 A	6/1997	Jordan et al.	2003/0209171 A1	11/2003	Milles
5,664,934 A	9/1997	Schaede et al.	2004/0134390 A1	7/2004	Apps et al.
D388,931 S	1/1998	Constantino et al.	2004/0168618 A1	9/2004	Muirhead
5,755,162 A	5/1998	Knight et al.	2005/0211139 A1	9/2005	Perrotta et al.
5,769,001 A	6/1998	Viessmann	2005/0263043 A1	12/2005	Proudlove
5,769,003 A	6/1998	Rose et al.	2006/0032411 A1	2/2006	Hummel et al.
5,791,262 A	8/1998	Knight et al.	2006/0075939 A1*	4/2006	Shuert ..... B65D 19/0016
5,809,905 A	9/1998	John et al.			108/57.25
5,813,355 A	9/1998	Brown et al.	2006/0162624 A1	7/2006	Hassell
D400,681 S	11/1998	Sadr	2006/0254476 A1	11/2006	MacDonald et al.
D400,682 S	11/1998	Constantino et al.	2007/0131148 A1	6/2007	Wu
5,857,416 A	1/1999	Donnell, Jr. et al.	2007/0210542 A1	9/2007	Hammond
5,950,545 A	9/1999	Shuert	2007/0272640 A1	11/2007	Garcia
5,964,162 A	10/1999	Chuan-Jen	2008/0060561 A1	3/2008	Carrasco
5,996,508 A	12/1999	Constantino et al.	2008/0295748 A1	12/2008	Yoshida et al.
6,123,032 A	9/2000	Ohanesian	2009/0050030 A1	2/2009	Apps et al.
6,289,823 B1	9/2001	Koefeldt et al.	2009/0183953 A1	7/2009	Ellington
6,294,114 B1	9/2001	Muirhead	2009/0185890 A1	7/2009	Ellington
6,327,984 B1	12/2001	McCann et al.	2010/0043676 A1*	2/2010	Apps ..... B65D 19/004
6,718,888 B2	4/2004	Muirhead			108/53.3
D513,104 S	12/2005	Harding et al.	2010/0043678 A1	2/2010	Linares
6,997,113 B1	2/2006	Harding et al.	2010/0095875 A1	4/2010	Hailston et al.
7,114,906 B1	10/2006	Baumgarner et al.	2010/0154685 A1	6/2010	Arinstein
D548,924 S *	8/2007	Frankenberg ..... B65D 19/0028	2010/0196134 A1	8/2010	Stahl et al.
		D34/38	2010/0295261 A1	11/2010	Ellington
7,293,509 B2	11/2007	Hassell	2010/0326334 A1	12/2010	Lin
7,360,493 B2	4/2008	Hummel et al.	2011/0100268 A1	5/2011	Milkowski et al.
7,690,315 B2	4/2010	Apps	2011/0139040 A1	6/2011	Apps et al.
7,735,429 B2	6/2010	Meissen	2011/0171000 A1	7/2011	Hailston
7,735,430 B2	6/2010	Muirhead	2011/0179978 A1	7/2011	Schmitt
7,819,068 B2	10/2010	Apps et al.	2011/0187022 A1	8/2011	Muirhead
7,856,932 B2	12/2010	Stahl et al.	2012/0048154 A1	3/2012	Toomer et al.
7,874,256 B2	1/2011	Muirhead	2012/0291678 A1	11/2012	Howland et al.
7,987,797 B2	8/2011	Stahl et al.	2012/0319063 A1	12/2012	Hailston et al.
7,988,405 B2	8/2011	Ellington	2013/0133557 A1	5/2013	Yoshinaga
8,011,677 B1	9/2011	Ellington et al.	2013/0202400 A1	8/2013	Richard et al.
8,075,244 B2	12/2011	Ellington	2013/0223962 A1	8/2013	Ellington et al.
8,191,486 B2	6/2012	Apps et al.	2014/0000493 A1	1/2014	Apps et al.
8,196,527 B2	6/2012	Linares	2014/0283713 A1	9/2014	Baltz et al.
8,210,107 B2	7/2012	Muirhead	2015/0108037 A1	4/2015	Evans et al.
8,230,793 B2	7/2012	Apps	2015/0135999 A1	5/2015	Takyar et al.
8,282,111 B2	10/2012	Hailston et al.	2015/0225215 A1	8/2015	King et al.
8,291,839 B2	10/2012	Apps et al.	2016/0167831 A1	6/2016	Suiter et al.
8,360,443 B2	1/2013	Ellington	2016/0318656 A1	11/2016	Takyar et al.
8,448,583 B2	5/2013	Apps et al.	2016/0318657 A1	11/2016	Takyar et al.
8,776,697 B1	7/2014	O'Connell	2017/0240194 A1	8/2017	Kalinowski et al.
8,894,076 B2	11/2014	Hailston et al.	2017/0341667 A1	11/2017	Kalinowski et al.
8,950,759 B2	2/2015	Thorsen et al.	2018/0029623 A1	2/2018	Kalinowski et al.
D724,809 S	3/2015	Howland et al.	2018/0162434 A1	7/2018	Kalinowski et al.
8,967,056 B2	3/2015	Apps et al.	2019/0337673 A1	11/2019	O'Connell
D729,488 S	5/2015	Pulskamp et al.			
9,027,487 B1	5/2015	O'Connell			
9,120,596 B2	9/2015	Dunn			
9,169,040 B2	10/2015	Evans et al.			
9,221,580 B2	12/2015	Zelek et al.			
9,242,760 B2	1/2016	Nevo			
9,260,125 B2	2/2016	Ellington et al.			
D753,392 S	4/2016	Haas et al.			
D756,645 S	5/2016	Haas et al.			
9,387,953 B2	7/2016	Takyar et al.			
9,403,547 B2	8/2016	Ellington			
9,481,488 B2	11/2016	Lewis			
9,611,071 B2	4/2017	Baltz et al.			
10,232,979 B2	3/2019	Takyar et al.			
D866,912 S *	11/2019	Sostmann ..... B65D 19/004			
		D34/38			
10,479,553 B2	11/2019	Guerry et al.			
10,479,661 B2	11/2019	King et al.			
10,494,140 B2	12/2019	Shuert			
10,494,141 B2	12/2019	Wood et al.			
10,538,360 B2	1/2020	Thompson			
2001/0029874 A1	10/2001	Muirhead			
2002/0017225 A1	2/2002	Koefeldt et al.			

FOREIGN PATENT DOCUMENTS

DE	2733457	2/1979
DE	3806097	9/1989
EP	202203	11/1986
EP	849184	6/1998
EP	2028117	2/2009
EP	2724956	4/2014
FR	1449377	8/1966
FR	2206248	6/1974
FR	2259023	8/1975
FR	2274512	1/1976
FR	2486029	1/1982
GB	859186	1/1961
GB	901340	7/1962
HU	9303243	3/1994
HU	9900326	5/1999
JP	53058581	5/1978
JP	04114859	4/1994
JP	06179448	6/1994
JP	06191536	7/1994
WO	WO9411262	5/1994
WO	WO2004063035	7/2004
WO	WO2005068309	7/2005

\* cited by examiner

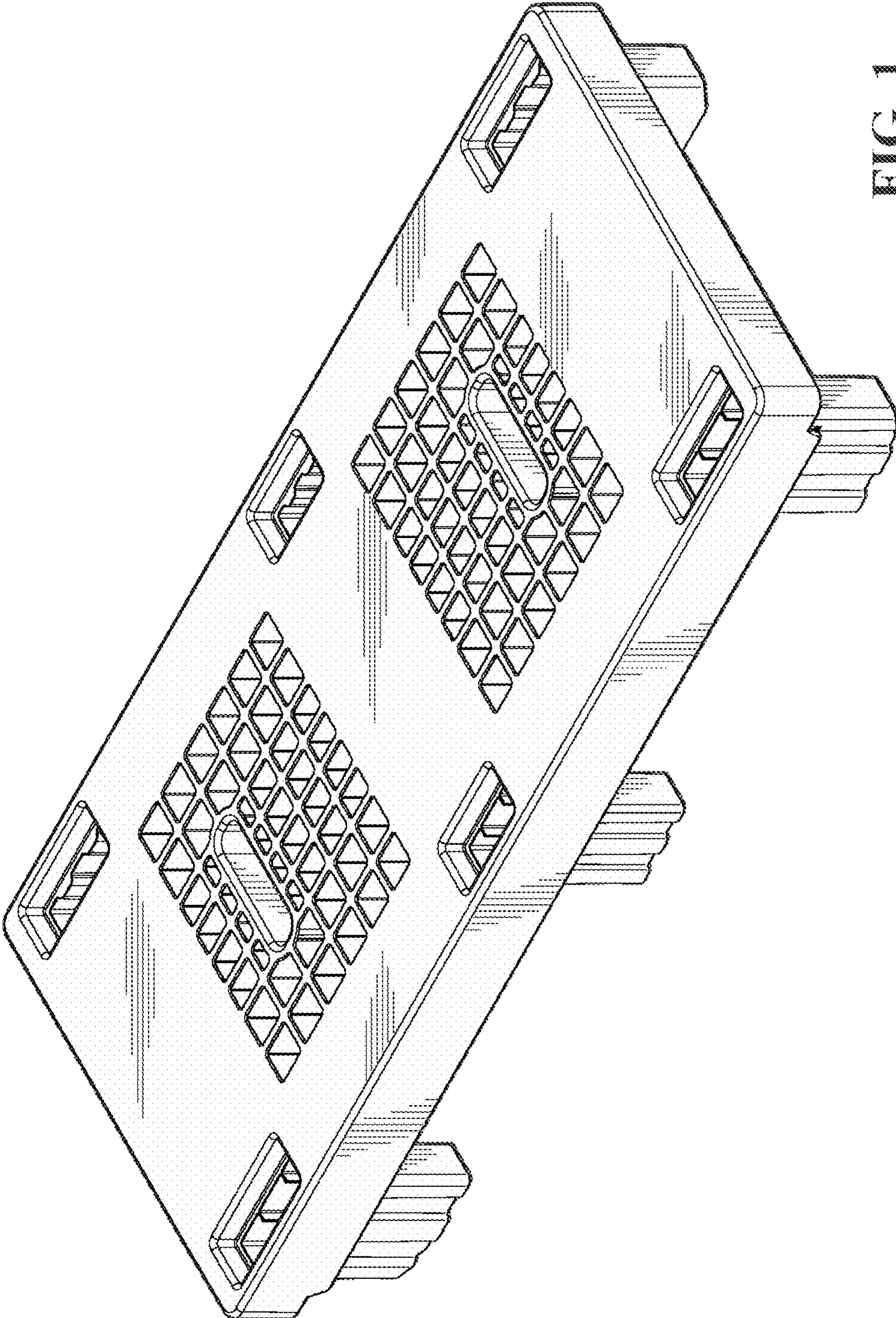


FIG. 1

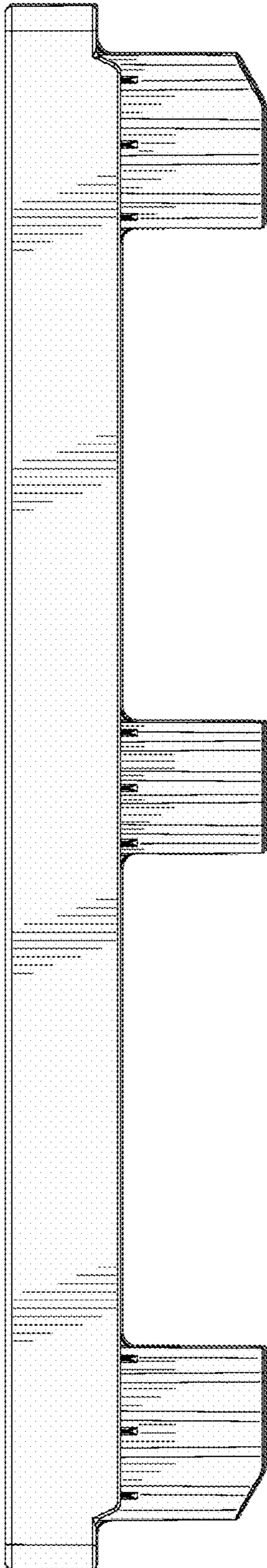


FIG. 2

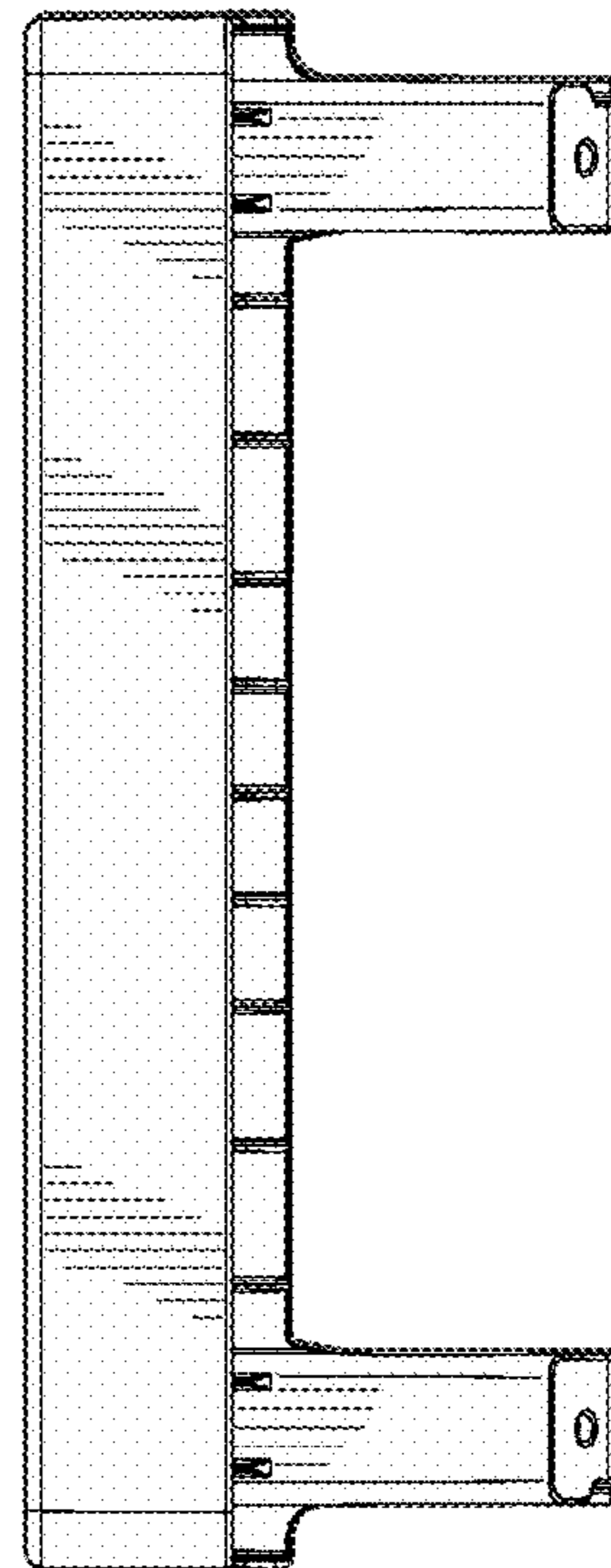


FIG. 3

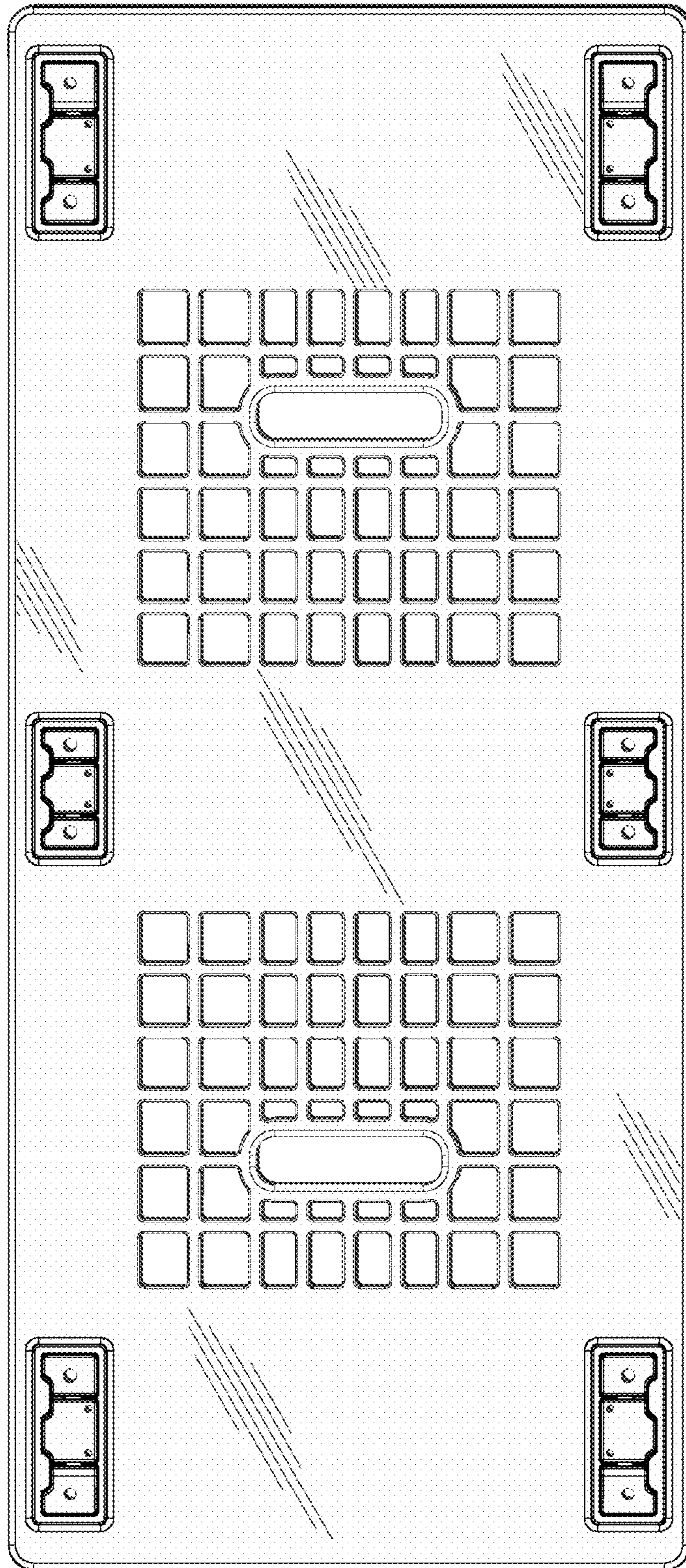


FIG. 4

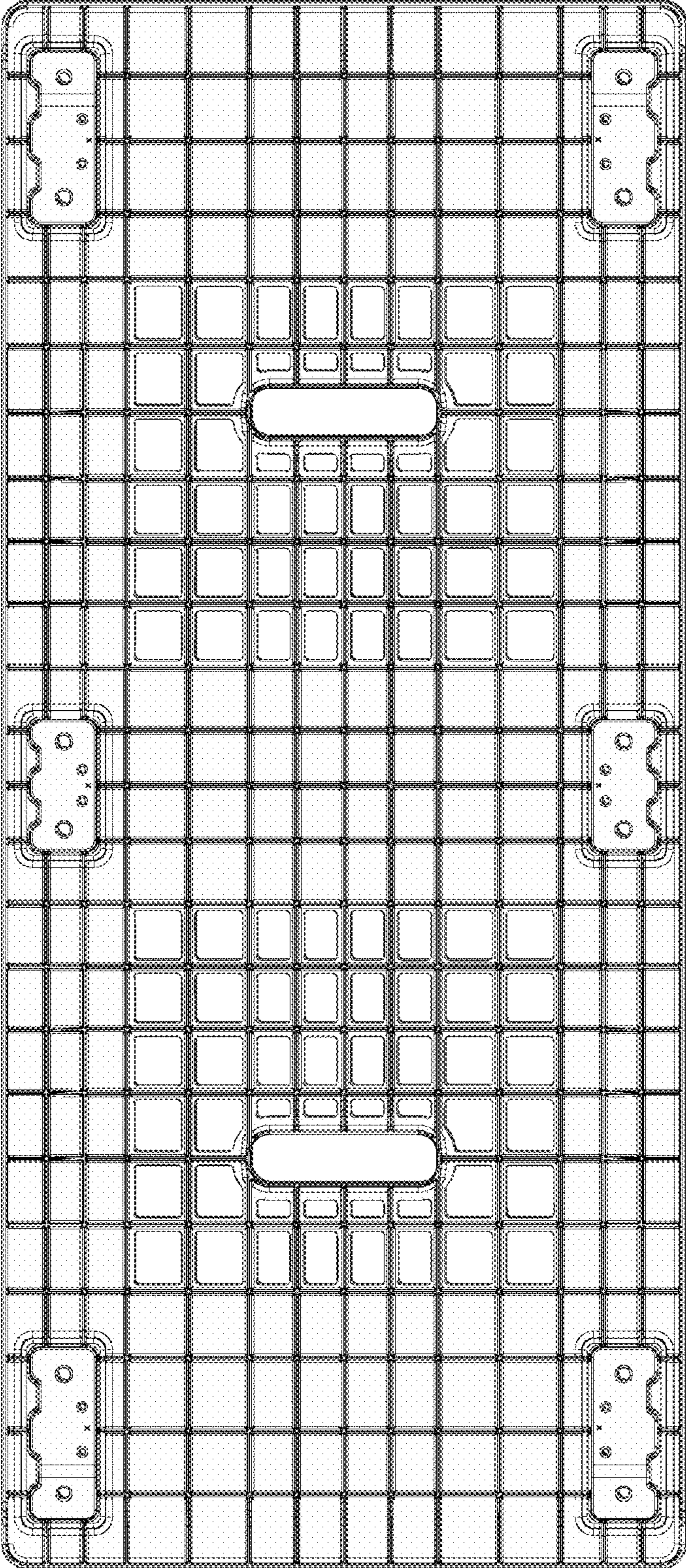


FIG. 5

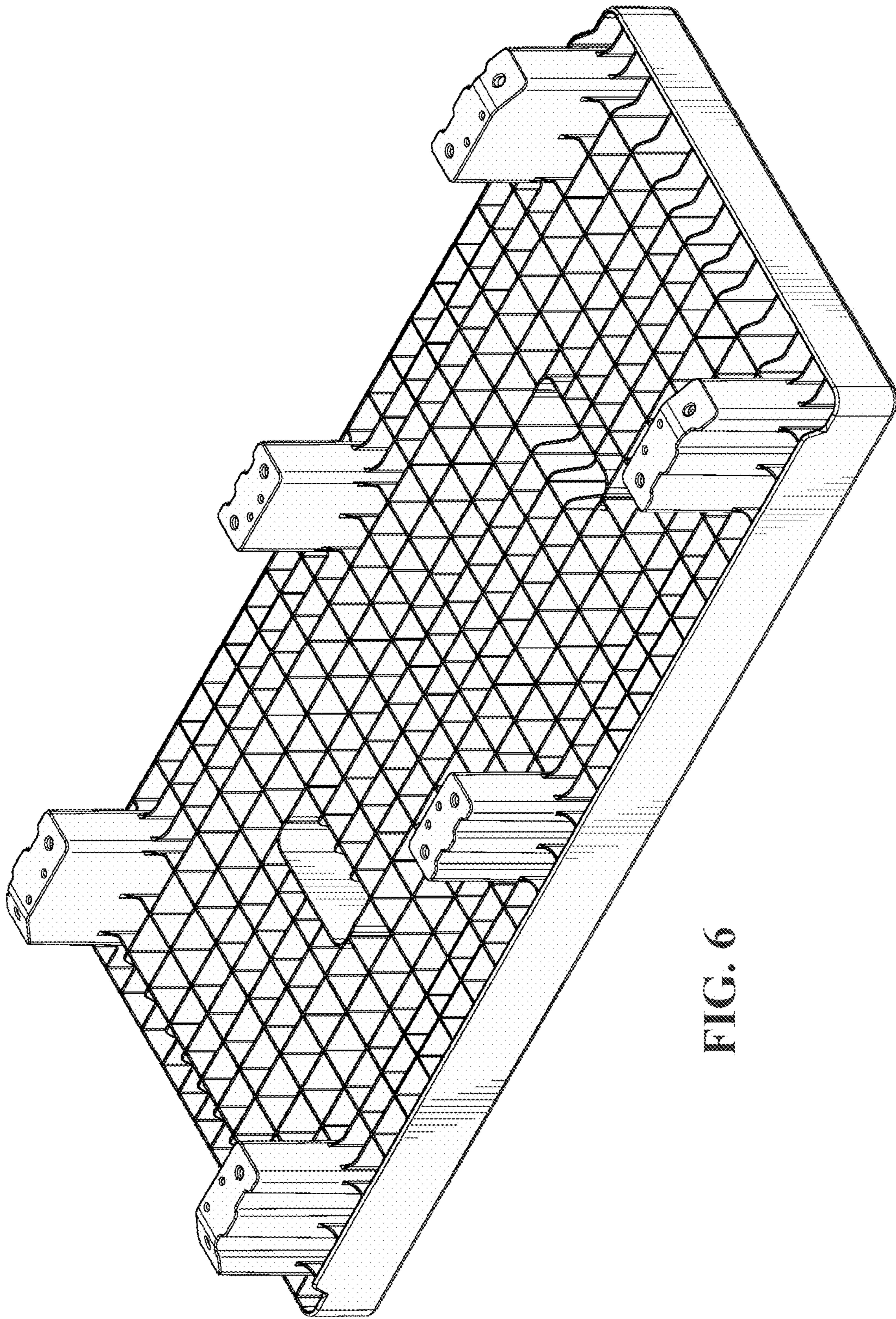


FIG. 6