



US00D895222S

(12) **United States Design Patent** (10) **Patent No.:** **US D895,222 S**
Qichen et al. (45) **Date of Patent:** **** Sep. 1, 2020**

(54) **PALLET TRUCK**
(71) Applicant: **Big Lift, LLC**, Lombard, IL (US)
(72) Inventors: **Ma Qichen**, Hangzhou (CN); **Xu Hongpeng**, Hangzhou (CN); **Liu Shunli**, Hangzhou (CN); **Lin Zuqian**, Hangzhou (CN); **Xu Minghui**, Hangzhou (CN)
(73) Assignee: **Big Lift, LLC**, Lombard, IL (US)

D419,741 S 1/2000 Johansson
D445,553 S * 7/2001 Pulskamp D34/35
6,260,646 B1 7/2001 Fernandez et al.
D530,878 S 10/2006 Ruppert et al.
D563,074 S * 2/2008 Standke D34/35
D593,274 S * 5/2009 Knie D34/35
D600,425 S * 9/2009 Smiley D34/35
7,641,011 B2 1/2010 Fridlington, Jr. et al.
D626,714 S * 11/2010 Standke D34/35
D640,032 S * 6/2011 Kretschmer D34/35
8,540,213 B2 9/2013 Feiquan et al.

(Continued)

(**) Term: **15 Years**

(21) Appl. No.: **29/679,595**

(22) Filed: **Feb. 7, 2019**

Related U.S. Application Data

(62) Division of application No. 29/640,026, filed on Mar. 12, 2018, now Pat. No. Des. 855,924, which is a division of application No. 29/582,548, filed on Oct. 28, 2016, now Pat. No. Des. 824,633.

(51) **LOC (12) Cl.** **12-05**

(52) **U.S. Cl.**
USPC **D34/35; D34/34**

(58) **Field of Classification Search**
USPC D34/34, 35
CPC B60R 16/037; B62D 1/00; B62D 1/02; B62D 1/04; B62D 1/16; B62D 5/003; B62B 3/0612; B62B 3/0618; B66F 9/12; B66F 9/22; B66F 9/085
See application file for complete search history.

(56) **References Cited**

U.S. PATENT DOCUMENTS

4,287,959 A 9/1981 Inman
4,577,463 A 3/1986 Kedem
D384,478 S * 9/1997 Prehn D34/35
D408,112 S * 4/1999 Marcel D34/35
D408,958 S 4/1999 Schneider

OTHER PUBLICATIONS

Website for Shanghai Noblelift Co. Ltd. Guangzhou Subsidiary "Semi-electric Pallet Truck Spt" <http://gdnoblift.en.busytrade.com/products/info/1904267/Semi-electric-Pallet-Truck-Spt.html>, accessed Jan. 13, 2012, (4 pages).

Primary Examiner — Cynthia Ramirez

(74) *Attorney, Agent, or Firm* — Cook Alex Ltd.

(57) **CLAIM**

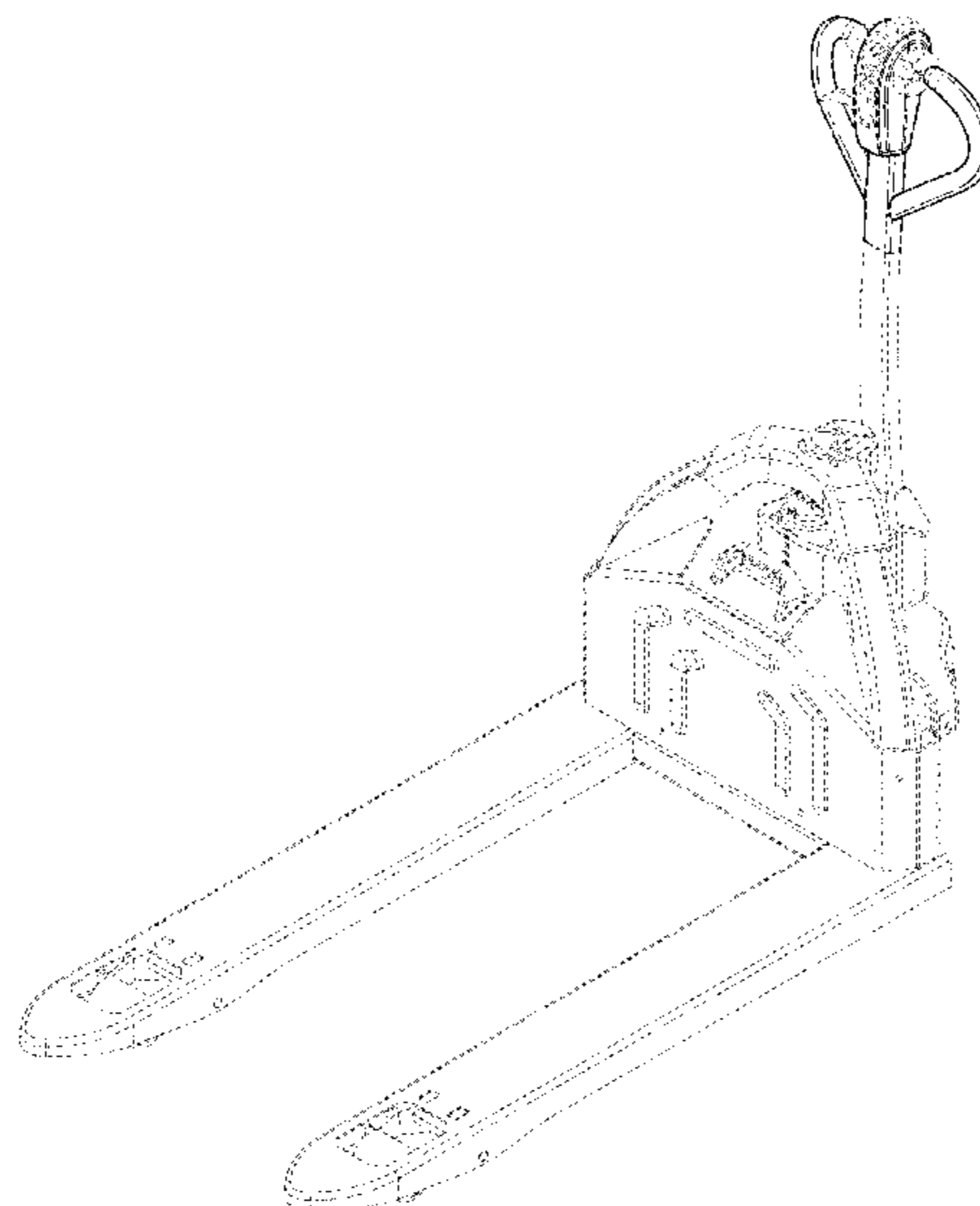
We claim the ornamental design for a pallet truck, as shown and described.

DESCRIPTION

FIG. 1 is a front left perspective view of a pallet truck handle according to our new design;
FIG. 2 is a front right perspective view thereof;
FIG. 3 is a rear left perspective view thereof;
FIG. 4 is a rear elevational view thereof;
FIG. 5 is a right side elevational view thereof;
FIG. 6 is a front elevational view thereof;
FIG. 7 is a left side elevational view thereof;
FIG. 8 is a top plan view thereof; and,
FIG. 9 is a bottom plan view thereof.

The broken lines shown in the figures are included for the purpose of illustrating portions of the pallet truck and form no part of the claimed design.

1 Claim, 7 Drawing Sheets



(56)

References Cited

U.S. PATENT DOCUMENTS

D692,202 S 10/2013 Feiquan et al.
 8,752,657 B2 6/2014 Newell
 8,833,736 B2 9/2014 Feiquan et al.
 D739,112 S 9/2015 He et al.
 D754,415 S 4/2016 Liu et al.
 D760,632 S * 7/2016 Muhl D12/175
 D765,939 S 9/2016 Liu et al.
 D767,236 S 9/2016 Meng et al.
 9,475,513 B2 10/2016 Liu et al.
 D770,719 S 11/2016 He et al.
 D802,243 S 11/2017 Qichen et al.
 D805,712 S 12/2017 Qichen et al.
 D819,923 S * 6/2018 Qichen D34/34
 D824,633 S * 7/2018 Qichen D34/34
 D850,336 S * 6/2019 Mariotti D12/175
 D855,924 S * 8/2019 Qichen D34/34
 D856,227 S * 8/2019 Mariotti D12/175
 D867,238 S * 11/2019 Mariotti D12/175

D872,965 S * 1/2020 Yuanwei D34/34
 D891,022 S * 7/2020 Liping D34/34
 2003/0235489 A1 * 12/2003 Hoff B62B 3/0618
 414/607
 2006/0232030 A1 * 10/2006 Passeri B62D 51/02
 280/43.12
 2014/0195127 A1 * 7/2014 Hoffman B62B 3/0612
 701/50
 2014/0291594 A1 * 10/2014 Newell B62B 3/0612
 254/2 R
 2015/0102274 A1 * 4/2015 He B62B 3/0612
 254/2 C
 2016/0311670 A1 * 10/2016 Huether B66F 9/065
 2017/0369292 A1 * 12/2017 Ni B66F 9/24
 2018/0009643 A1 * 1/2018 Hoffman B62B 5/0076
 2018/0327239 A1 * 11/2018 Cherry B66F 9/12
 2018/0334368 A1 * 11/2018 Pan F16D 65/183
 2019/0322507 A1 * 10/2019 Jiandong B62B 3/0612
 2019/0322509 A1 * 10/2019 Jianming B62B 3/0618

* cited by examiner

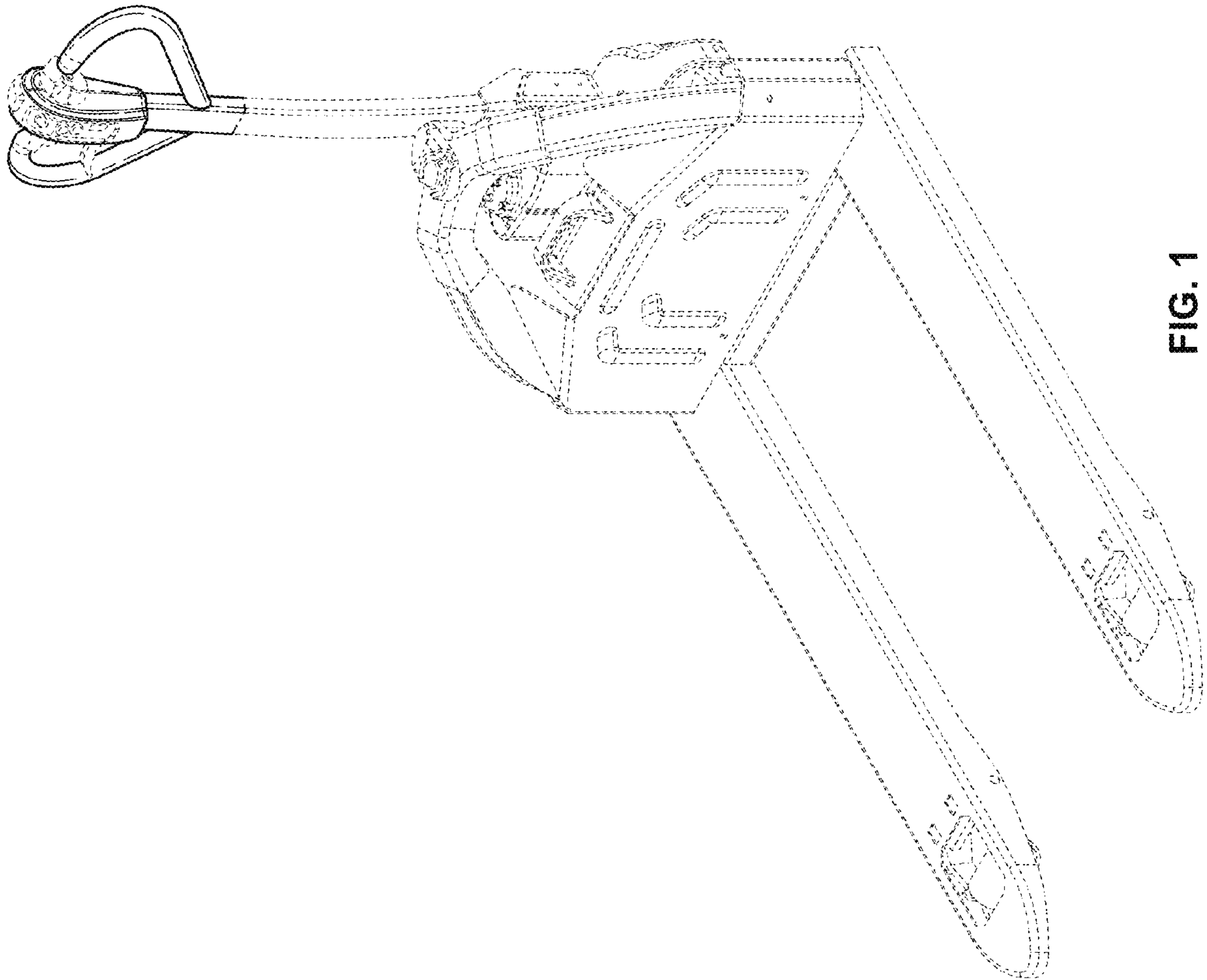


FIG. 1

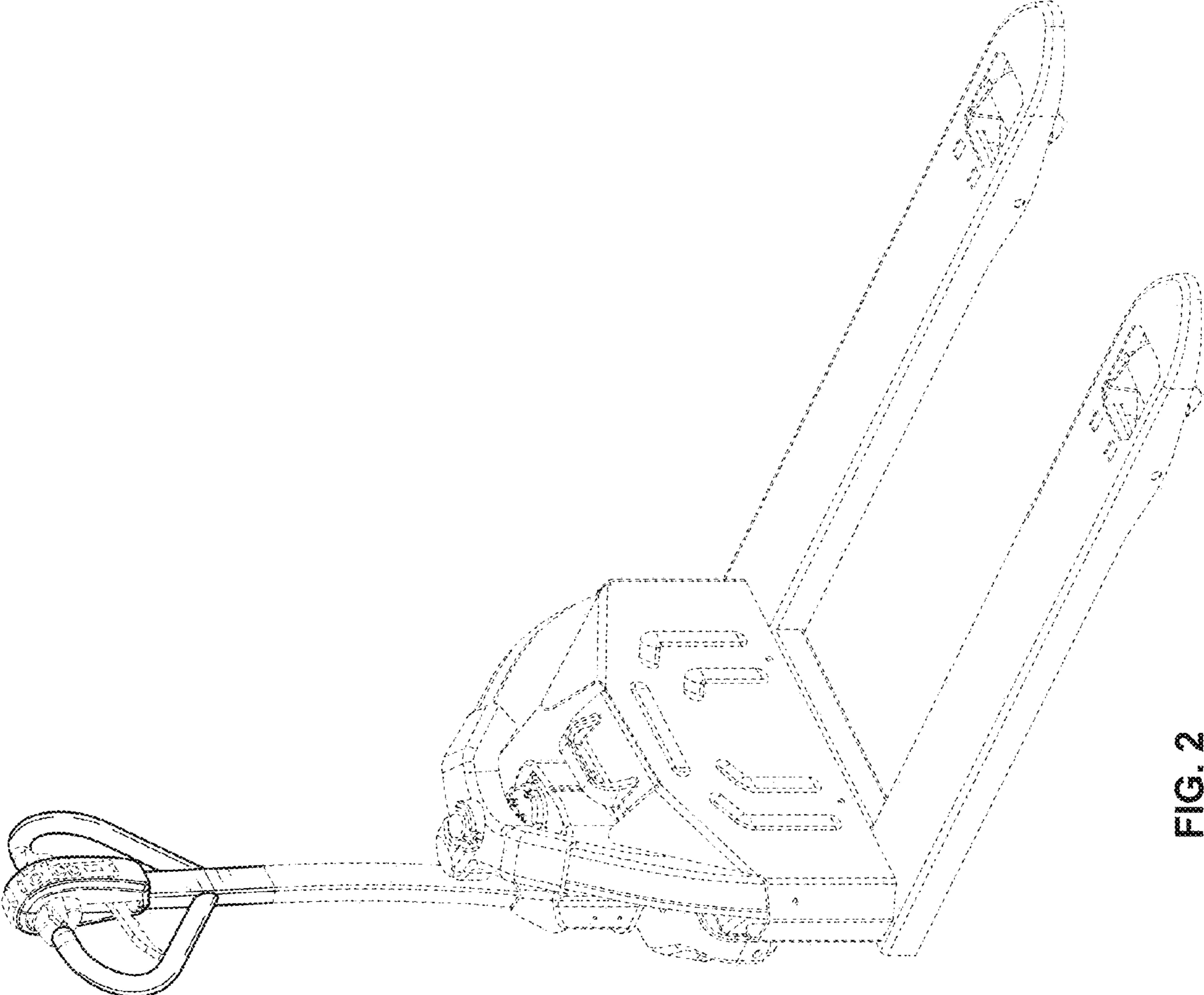


FIG. 2

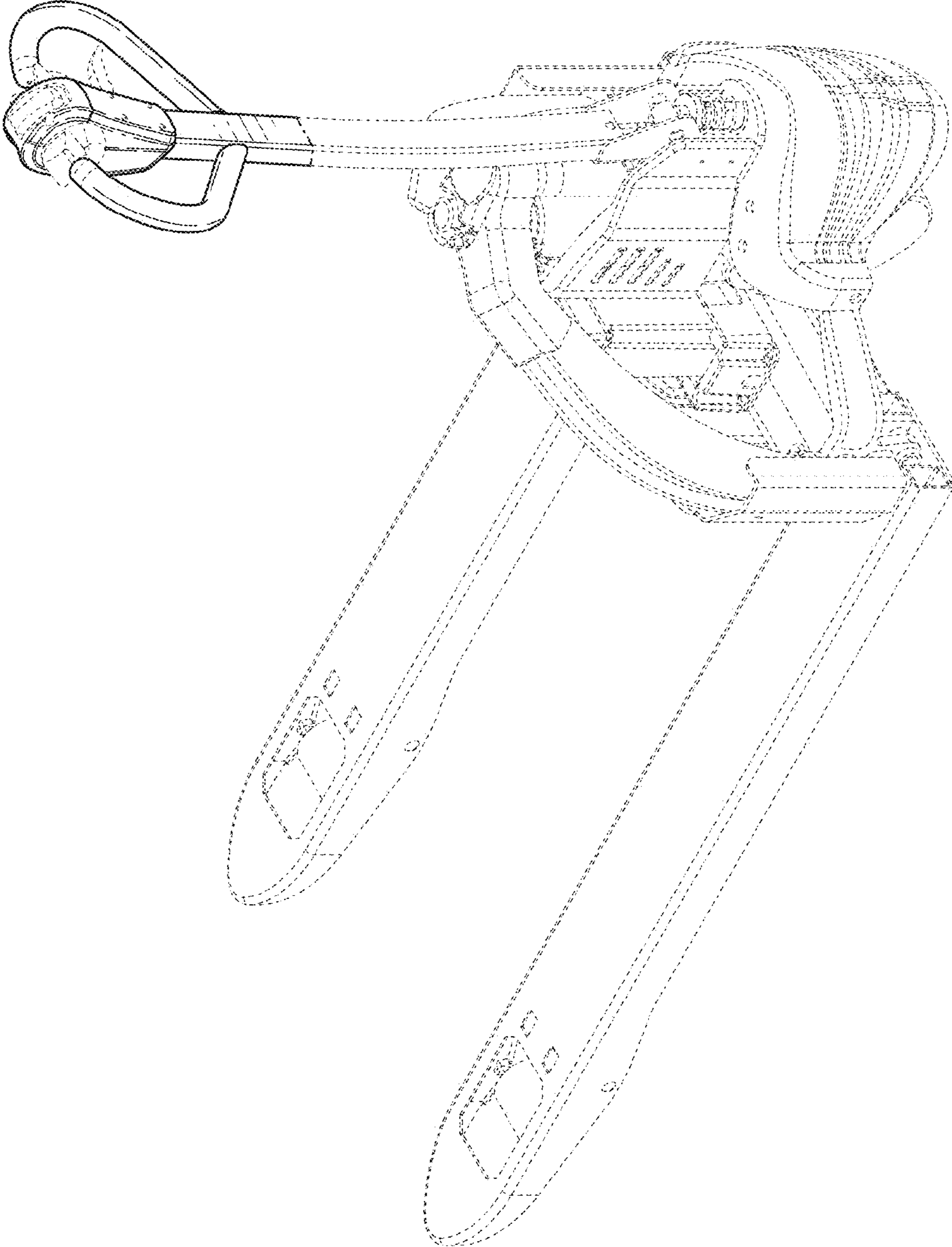


FIG. 3

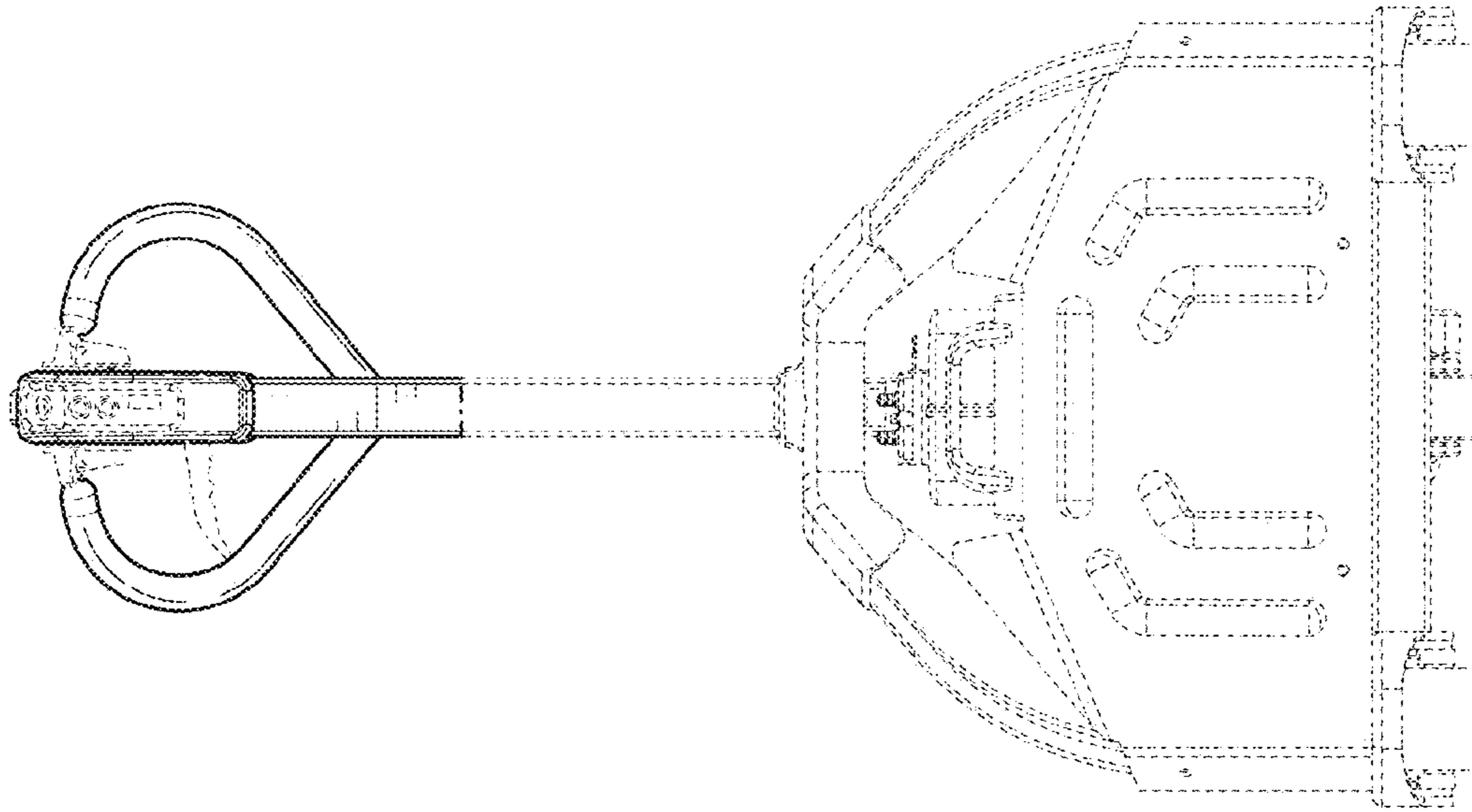


FIG. 6

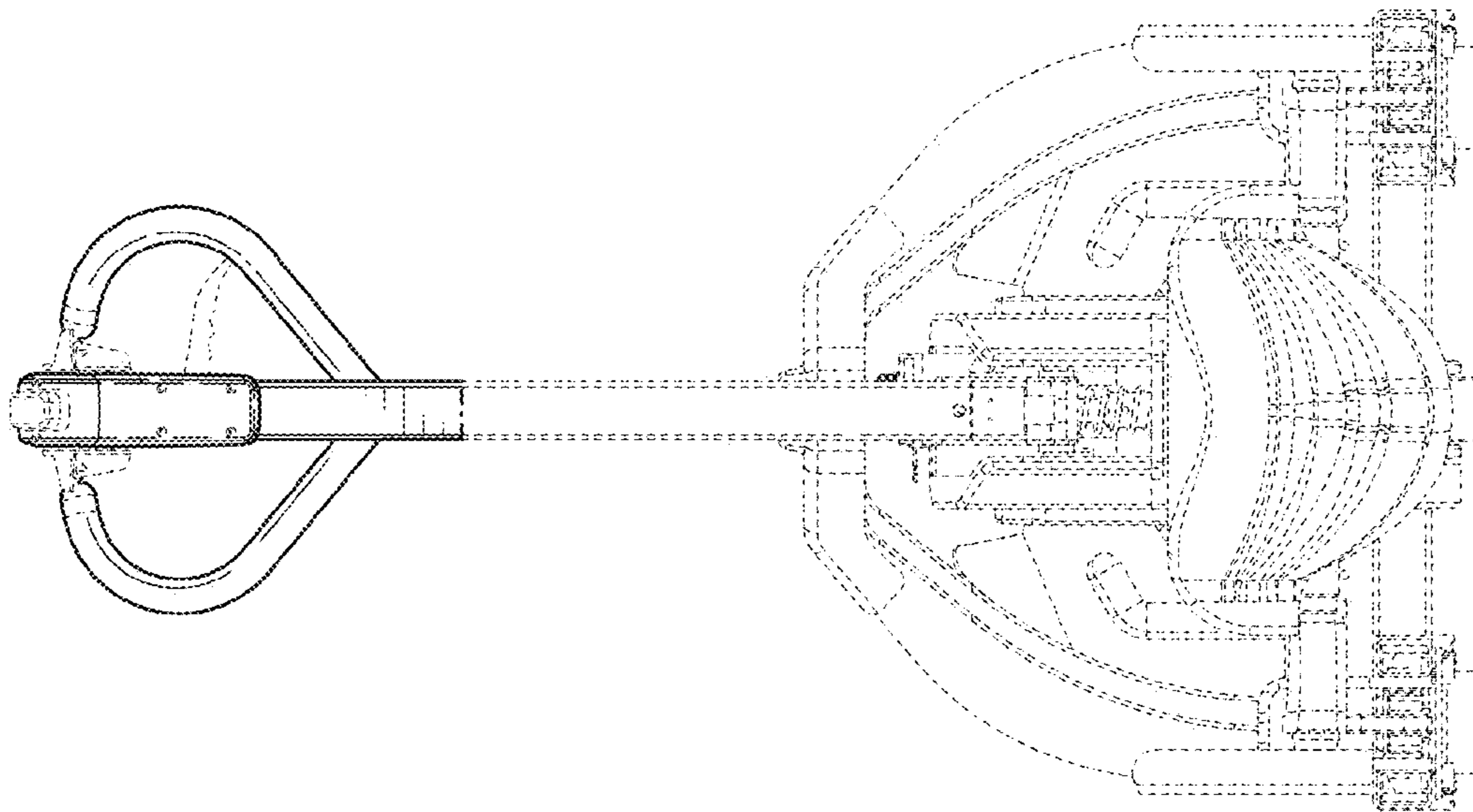


FIG. 4

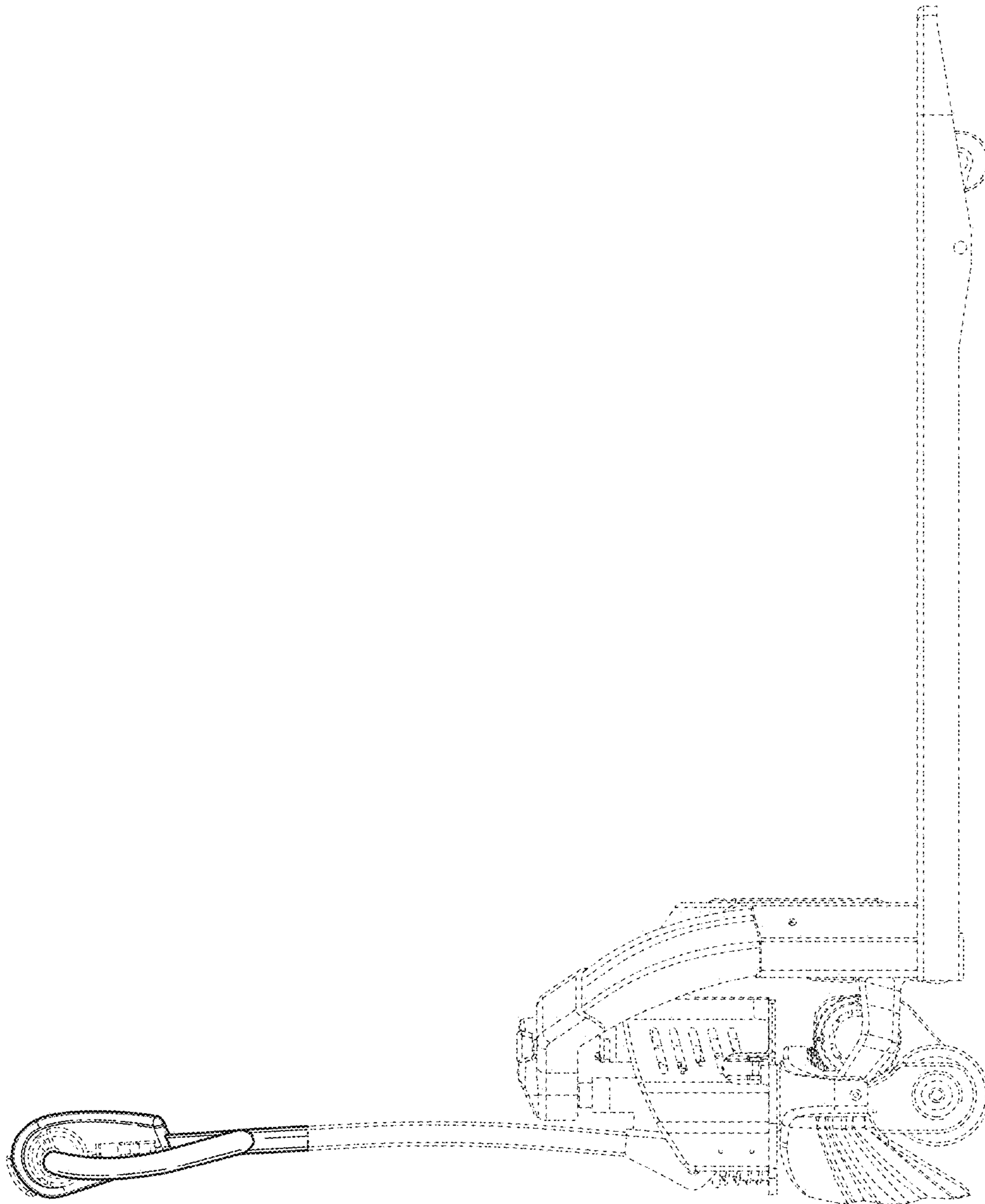


FIG. 5

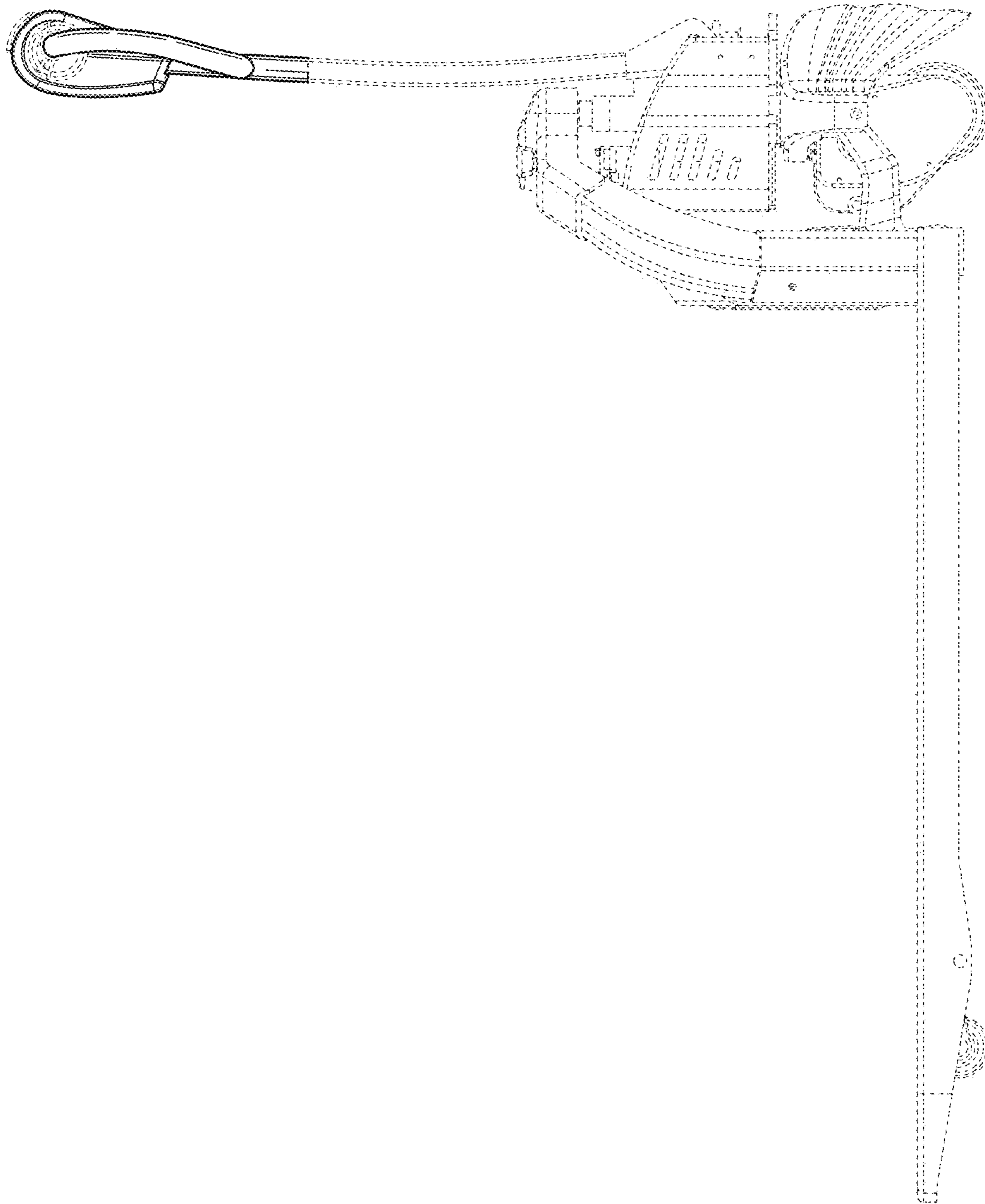


FIG. 7

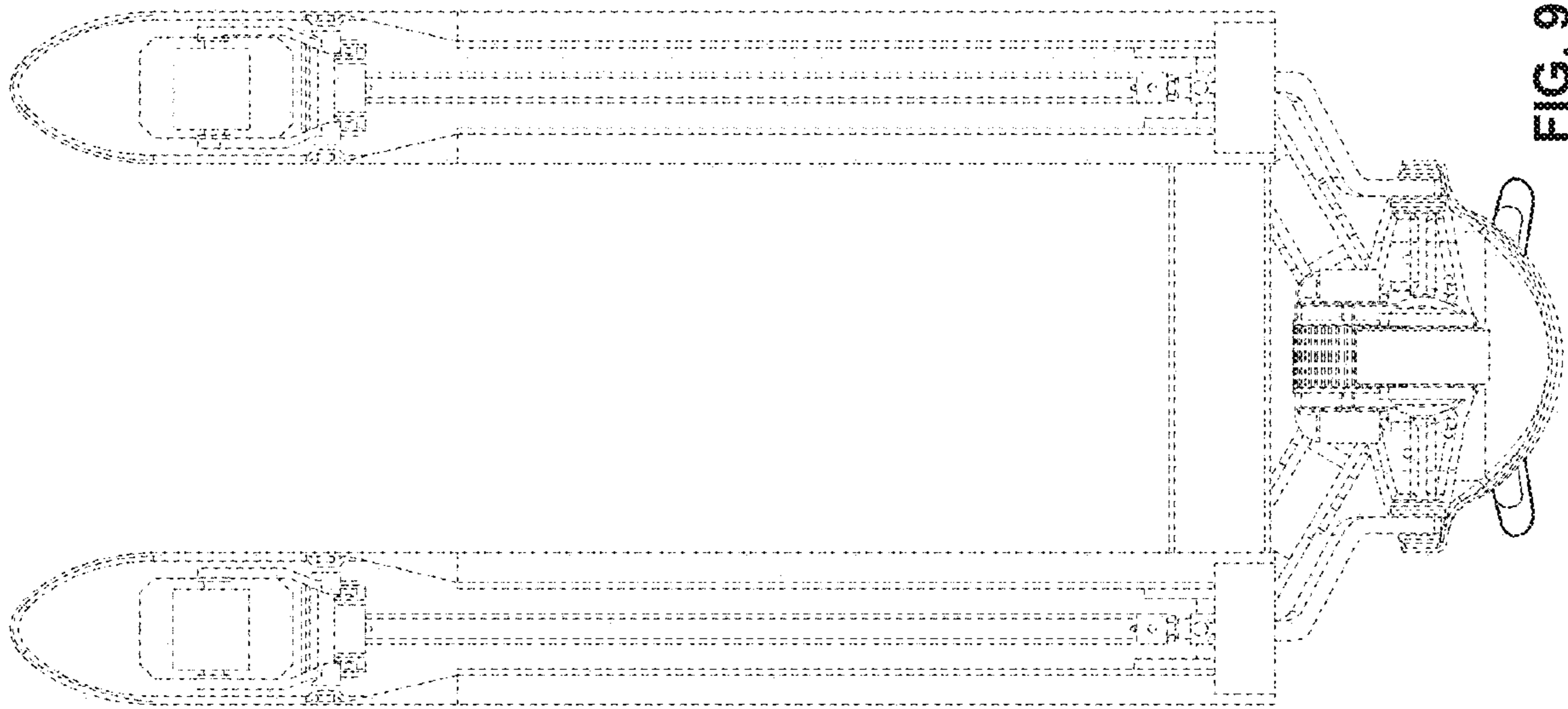


FIG. 9



FIG. 8