

US00D895220S

(12) **United States Design Patent** (10) **Patent No.:** **US D895,220 S**  
**Eilmus** (45) **Date of Patent:** **\*\* Sep. 1, 2020**

(54) **DISH MAT**  
(71) Applicant: **Kohler Co.**, Kohler, WI (US)  
(72) Inventor: **Niels Eilmus**, Sheboygan, WI (US)  
(73) Assignee: **KOHLER CO.**, Kohler, WI (US)  
(\*\*) Term: **15 Years**  
(21) Appl. No.: **29/730,100**  
(22) Filed: **Apr. 1, 2020**

1,411,684 A 7/1945 Rehberger  
D143,517 S 1/1946 Whitlock  
D151,047 S 9/1948 Jensen  
2,512,310 A 6/1950 Corson  
2,586,612 A 2/1952 Caldwell  
3,005,209 A 10/1961 Timmons  
D193,089 S 6/1962 Kraines  
D193,090 S 6/1962 Kraines  
D201,615 S 7/1965 Bowden  
D207,487 S 4/1967 Briggs  
D286,497 S 11/1986 Daenen et al.  
5,105,485 A 4/1992 Sciabarassi  
D358,734 S 5/1995 Paskwietz et al.  
D363,577 S 10/1995 Brightbill et al.  
D386,838 S 11/1997 Pini et al.

(Continued)

**Related U.S. Application Data**

(60) Division of application No. 29/634,670, filed on Jan. 24, 2018, now Pat. No. Des. 881,496, which is a continuation of application No. 14/997,061, filed on Jan. 15, 2016, now abandoned.  
(51) **LOC (12) Cl.** ..... **07-05**  
(52) **U.S. Cl.**  
USPC ..... **D32/57**  
(58) **Field of Classification Search**  
USPC ..... D32/55, 276, 3; D6/510, 525; D30/133;  
211/41.5, 41.4, 41.3, 41.8; 361/679.4;  
312/311, 333, 334.4; D7/354, 629  
CPC .. A47L 15/505; A47L 15/503; A47L 15/0013;  
A47L 19/02; A47L 19/04; A47J 47/20  
See application file for complete search history.

**OTHER PUBLICATIONS**

Alibaba.com, Silicone Kitchenwares Cooking Equipment Gift Sink Dish Folding Drainers Roll Drainer Kitchen Accessories Silicone Mats Plate, 4 pages (publication date unknown, but available at least as early as Dec. 23, 2014).

(Continued)

*Primary Examiner* — Austin Murphy  
(74) *Attorney, Agent, or Firm* — Foley & Lardner LLP

(57) **CLAIM**

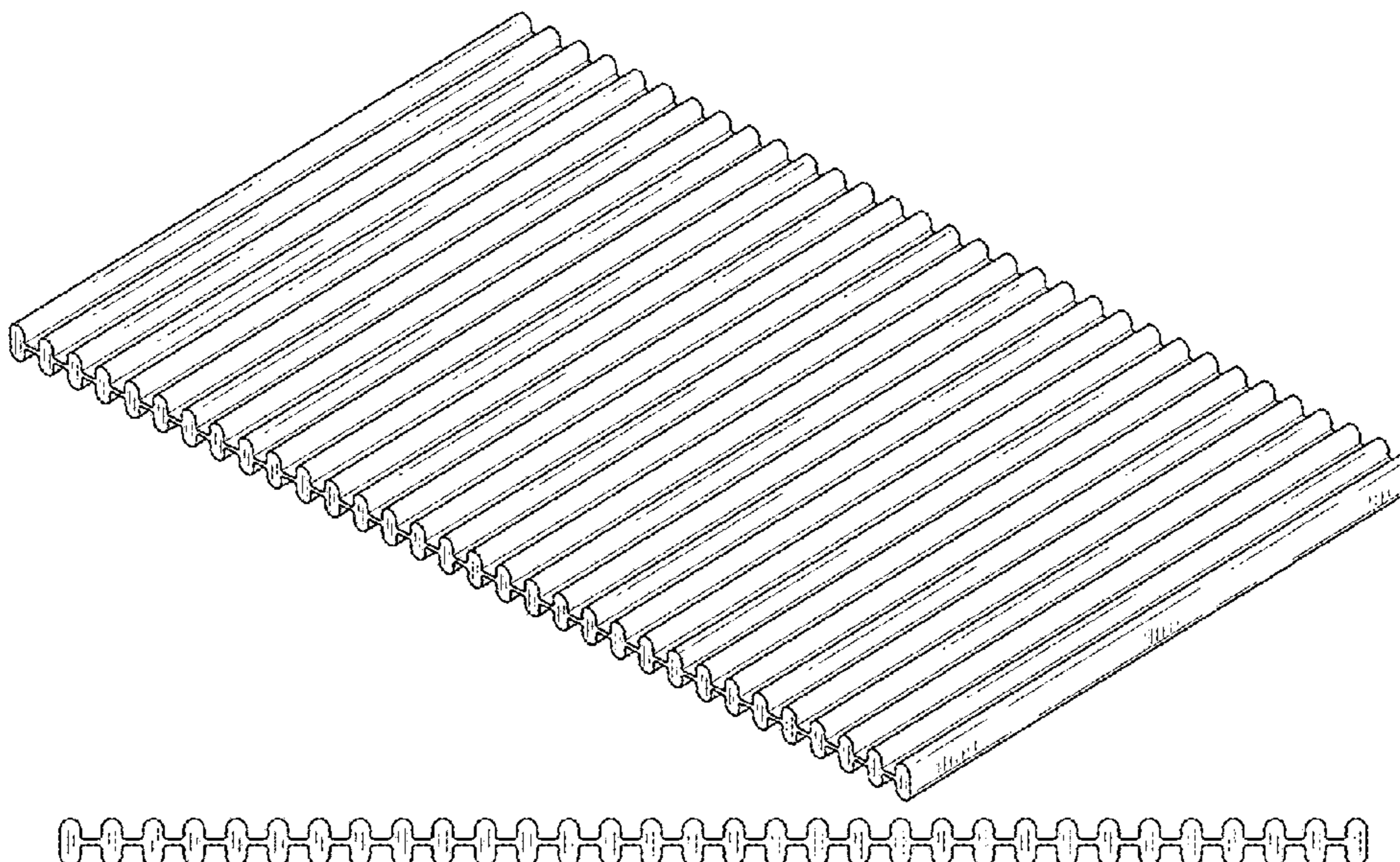
I claim the ornamental design for a dish mat, as shown and described.

**DESCRIPTION**

FIG. 1 is a perspective view of an embodiment of the claimed design;  
FIG. 2 is a front view of the embodiment of FIG. 1;  
FIG. 3 is a top view of the embodiment of FIG. 1; and,  
FIG. 4 is a side view of the embodiment of FIG. 1.  
The ornamental design which is claimed is shown in solid lines in the drawings.

**1 Claim, 3 Drawing Sheets**

(56) **References Cited**  
**U.S. PATENT DOCUMENTS**  
508,885 A 11/1893 Johnston  
933,180 A 9/1909 Johnson  
994,855 A 6/1911 Mali  
1,522,921 A 1/1925 Smiley  
1,835,232 A 12/1931 Lord  
D105,428 S 7/1937 Bahr  
2,236,339 A 3/1941 Keith  
2,284,494 A 5/1942 Oakley





(56)

References Cited

U.S. PATENT DOCUMENTS

D418,646	S	1/2000	Hampshire	
D418,647	S	1/2000	Snell	
D418,956	S	1/2000	Hampshire	
6,170,676	B1	1/2001	Patadia	
D508,368	S	8/2005	Lion	
D517,759	S	3/2006	Dretzka	
D533,465	S	12/2006	Jackson	
D540,095	S	4/2007	Lee	
D554,820	S	11/2007	Dretzka	
7,300,032	B2	11/2007	Williams et al.	
D564,240	S	3/2008	Poo	
D581,120	S	11/2008	Sofy	
D594,263	S	6/2009	Robbins, III	
D602,733	S	10/2009	Haber	
D615,266	S	5/2010	Lion et al.	
D625,482	S	10/2010	Yang et al.	
D644,865	S	9/2011	Trout	
D693,082	S	11/2013	Evans	
D697,757	S *	1/2014	Xin	D7/409
D703,409	S	4/2014	Robbins et al.	
D707,004	S	6/2014	Levy et al.	
D707,005	S	6/2014	Levy et al.	
D711,059	S	8/2014	Evans	
9,032,567	B1	5/2015	Galgano	
D747,583	S	1/2016	Wilmsen	
D768,393	S *	10/2016	Ellis	D5/53
D780,704	S *	3/2017	Kiridoshi	D13/180
D803,598	S *	11/2017	Li	D6/536
D824,115	S *	7/2018	Couse	D30/119
D831,393	S *	10/2018	Hodgson	D6/704
D832,172	S *	10/2018	Durr	D12/203
D840,174	S	2/2019	Kraemer	
D847,635	S *	5/2019	Palma	D9/456
D879,504	S *	3/2020	Lopez	D6/583
D881,496	S *	4/2020	Eilmus	A47L 19/04 D32/57
2005/0037177	A1 *	2/2005	Streeton	D06N 7/0068 428/156
2006/0060522	A1	3/2006	Bushey	
2007/0082164	A1	4/2007	Sellers	
2008/0179264	A1	7/2008	Abrams	
2010/0102015	A1	4/2010	Benneche	
2012/0211454	A1	8/2012	Wilson	
2012/0228252	A1	9/2012	Gossens et al.	
2016/0160485	A1	6/2016	Bomatter et al.	

OTHER PUBLICATIONS

Architec, The Original Gripper Hotgrip 7, 1 page (publication date unknown, but available at least as early as Dec. 23, 2014).  
 Arnest Inc., Silicon Roll Drainer, 3 pages (publication date unknown, but available at least as early as Dec. 23, 2014).  
 Bed Bath & Beyond, Over the Sink Roll-Up Drying Rack, 2 pages (publication date unknown, but available at least as early as Dec. 23, 2014).  
 Bed Bath & Beyond, Silicone Pyramid Baking Mat, 2 pages (publication date unknown, but available at least as early as Dec. 23, 2014).  
 Belle Maison, 3 pages (publication date unknown, but available at least as early as Dec. 23, 2014).  
 Casabella, Wine Glass Drying Mat—12 Glass, 2 pages (publication date unknown, but available at least as early as Dec. 23, 2014).  
 DHGate.com, 1 pcs Baking Tools Circular Silicone Bakeware Mat Roll Mats Silicone Mat Heat Insulat, 2 pages (publication date unknown, but available at least as early as Dec. 23, 2014).  
 Eva Solo, Potholders with ook, 2 pages (publication date unknown, but available at least as early as Dec. 23, 2014).  
 Final Touch, Large Drying Mat, 1 page (publication date unknown, but available at least as early as Dec. 23, 2014).  
 Homecolours.com, Zone Denmark Silicone Dish Drainer Tray RED, 2 pages (publication date unknown, but available at least as early as Dec. 23, 2014).

Huiyang Kangde Silicone Rubber Ware Co. Ltd., Foldable Silicone Leachate Mat, 3 pages (publication date unknown, but available at least as early as Dec. 23, 2014).  
 Improvements, Lineo Silicone Drying Mat, 3 pages (publication date unknown, but available at least as early as Dec. 23, 2014).  
 International Federation of Red Cross and Red Crescent Societies, Drain, Corrugated Sheet, 1 page (publication date unknown, but available at least as early as Dec. 23, 2014).  
 Ippinka, Sink Roll, 4 pages (publication date unknown, but available at least as early as Dec. 23, 2014).  
 Mat-Market.com, Cake Roll Maker Silicone Rolling Mat Picnic Lunch Maker Bakeware Mat Silicone Sushi Roll Mat, 2 pages (publication date unknown, but available at least as early as Dec. 23, 2014).  
 Mat-Market.com, Newly Silicone Rolling Mat for Cooking, 4 pages (publication date unknown, but available at least as early as Dec. 23, 2014).  
 Ningbo Daicydai Import & Export Co. Ltd., Cup Mat with Hole, Silicone Material, 2 pages (publication date unknown, but available at least as early as Dec. 23, 2014).  
 Ningbo Daicydai Import & Export Co. Ltd., Silicone Baking Mat, Nonstick, Food Grade, 3 pages (publication date unknown, but available at least as early as Dec. 23, 2014).  
 OXO Good Grips, Large Silicone Drying Mat, 1 page (publication date unknown, but available at least as early as Dec. 23, 2014).  
 Pacific Mat, Corrugated Rubber, 1 page (publication date unknown, but available at least as early as Dec. 23, 2014).  
 Pacific Mat, Soft Grid Foot Grilles, 1 page (publication date unknown, but available at least as early as Dec. 23, 2014).  
 Polder, Flex Drying Mat, 2 pages (publication date unknown, but available at least as early as Dec. 23, 2014).  
 ShopNorthern.com, Versa Rack, 4 pages (publication date unknown, but available at least as early as Dec. 23, 2014).  
 Silicone draining board, multi-purpose silicone dish drainer mat, silicone sink drainer tray, 4 pages (publication date unknown, but available at least as early as Dec. 23, 2014).  
 Techwell Silicone Rubber Product (Jiangmen) Co., Ltd., Silicone Sushi Roll Mat, 3 pages (publication date unknown, but available at least as early as Dec. 23, 2014).  
 Totallyfunky, Fridge Monkey, 2 pages (publication date unknown, but available at least as early as Dec. 23, 2014).  
 Vulcanpro Silicone Rubber Industrial Co., Ltd., Colorful Silicone Mat, 6 pages (publication date unknown, but available at least as early as Dec. 23, 2014).  
 Vulcanpro Silicone Rubber Industrial Co., Ltd., Disney & Sedex Audit Factory Non-stick Silicone Square Baking Mat Set, 4 pages (publication date unknown, but available at least as early as Dec. 23, 2014).  
 Vulcanpro Silicone Rubber Industrial Co., Ltd., Disney & Sedex Audit Factory Square Non-stick Silicone Baking Mat Set, 4 pages (publication date unknown, but available at least as early as Dec. 23, 2014).  
 Vulcanpro Silicone Rubber Industrial Co., Ltd., Disney Audit Factory Sealed Rubber Oval Coffee Cup Pads, 2 pages (publication date unknown, but available at least as early as Dec. 23, 2014).  
 Vulcanpro Silicone Rubber Industrial Co., Ltd., Environmental Protection 4 Pieces Silicone Pot Holders, 3 pages (publication date unknown, but available at least as early as Dec. 23, 2014).  
 Vulcanpro Silicone Rubber Industrial Co., Ltd., Heat Resistant Silicone Cup Mat Provided by Disney Audited Factory, 3 pages (publication date unknown, but available at least as early as Dec. 23, 2014).  
 Vulcanpro Silicone Rubber Industrial Co., Ltd., High Quality Silicone Heat Resistant Cup Mat, 3 pages (publication date unknown, but available at least as early as Dec. 23, 2014).  
 Vulcanpro Silicone Rubber Industrial Co., Ltd., Rainbow Silicone Rubber Coasters for Wine Glass Tea Cup, 5 pages (publication date unknown, but available at least as early as Dec. 23, 2014).  
 Vulcanpro Silicone Rubber Industrial Co., Ltd., Sedex 4 Pillar Audited Supplier Heat Resistant Silicone Mat, 2 pages (publication date unknown, but available at least as early as Dec. 23, 2014).

(56)

**References Cited**

OTHER PUBLICATIONS

Vulcanpro Silicone Rubber Industrial Co., Ltd., Sedex Audit Durable Silicone Kitchen Heat-Resistant Mats for Pot Bowl, 4 pages (publication date unknown, but available at least as early as Dec. 23, 2014).

Vulcanpro Silicone Rubber Industrial Co., Ltd., Silicone Non Stick Baking Mat, 4 pages (publication date unknown, but available at least as early as Dec. 23, 2014).

Vulcanpro Silicone Rubber Industrial Co., Ltd., Silicone Round Wave Shape Pot Holder, 2 pages (publication date unknown, but available at least as early as Dec. 23, 2014).

Vulcanpro Silicone Rubber Industrial Co., Ltd., Vulcanpro Heat Resistant Silicone Mats and Pads, 5 pages (publication date unknown, but available at least as early as Dec. 23, 2014).

Walmart, Chef Buddy Long Over-the-Sink Roll-Up Drying Rack, 1 page (publication date unknown, but available at least as early as Dec. 23, 2014).

Warco Biltrite, Corrugated Rubber Matting, 4 pages (publication date unknown, but available at least as early as Dec. 23, 2014).

\* cited by examiner



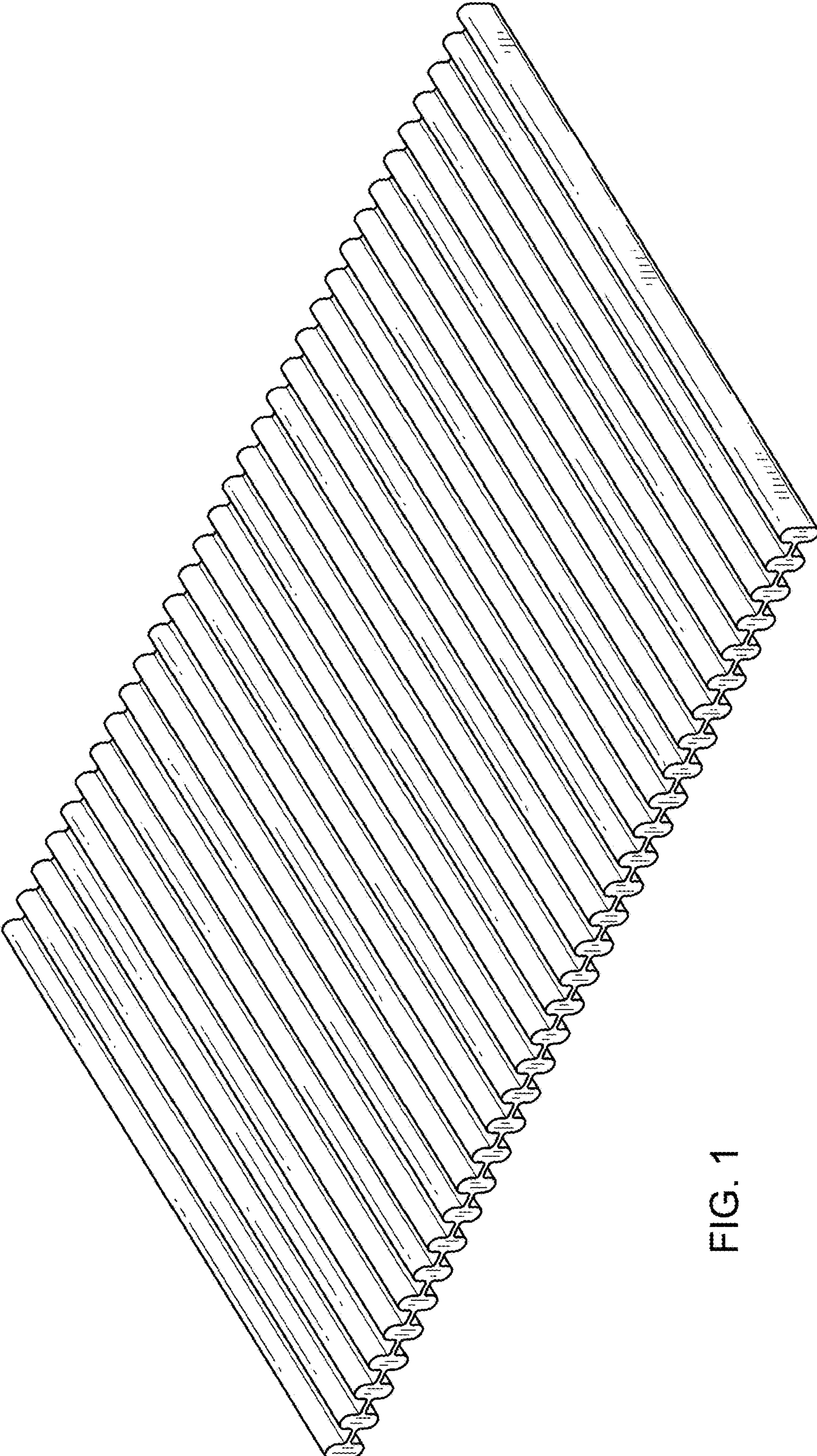


FIG. 1

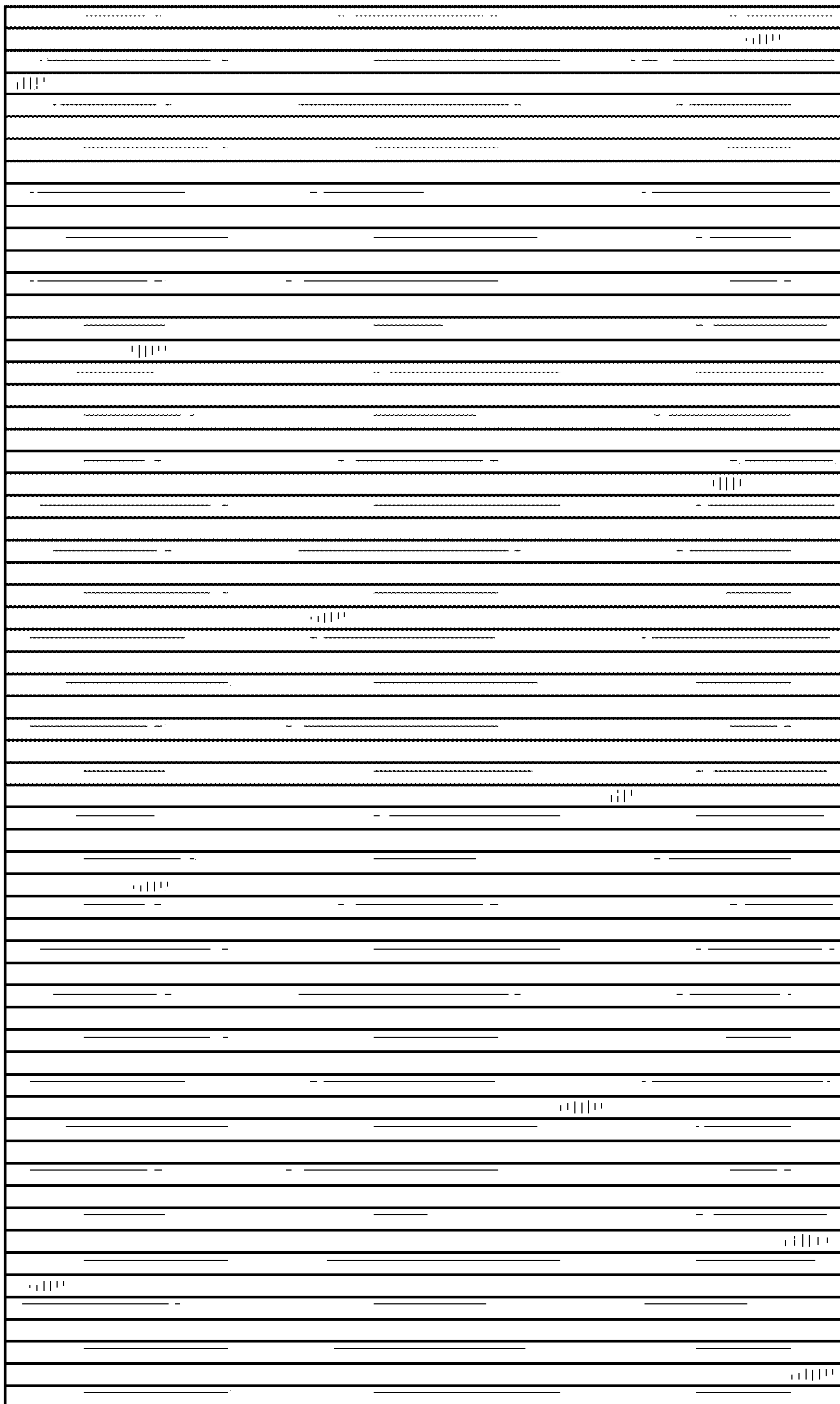


FIG. 2

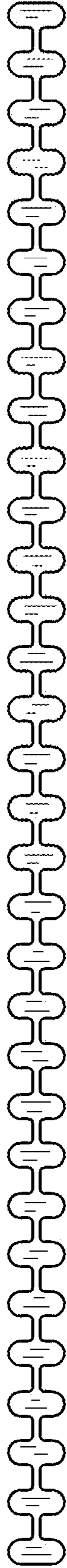


FIG. 3

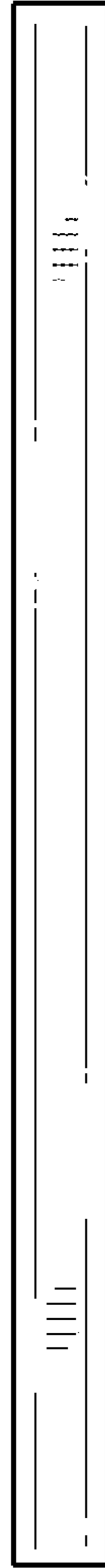


FIG. 4