



US00D895219S

(12) **United States Design Patent** (10) **Patent No.:** **US D895,219 S**
Protet (45) **Date of Patent:** **** Sep. 1, 2020**

(54) **STEAM GENERATING APPARATUS**

(71) Applicant: **CALOR**, Ecully (FR)

(72) Inventor: **David Protet**, Auxerre (FR)

(73) Assignee: **CALOR**, Ecully (FR)

(**) Term: **15 Years**

(21) Appl. No.: **29/666,021**

(22) Filed: **Oct. 9, 2018**

(30) **Foreign Application Priority Data**

Jul. 9, 2018 (EM) 005495009-0001
Jul. 9, 2018 (EM) 005495009-0002
Jul. 9, 2018 (EM) 005495009-0003

(51) **LOC (12) Cl.** **15-05**

(52) **U.S. Cl.**
USPC **D32/17**

(58) **Field of Classification Search**
USPC D32/17, 18, 21, 25, 71, 73, 1, 9, 15, 16,
D32/31; 70/20-22, 57, 57.1, DIG. 26,
70/DIG. 27, DIG. 44
CPC D06F 87/00; D06F 75/30; D06F 75/12;
D06F 75/20; D06F 73/00; D06F 59/02;
D06F 59/08; A47L 5/24
See application file for complete search history.

(56) **References Cited**

U.S. PATENT DOCUMENTS

D662,577 S 6/2012 Nakamura
D673,665 S 1/2013 Alexanderson
D683,439 S 5/2013 Choi
D695,473 S * 12/2013 Ediger D32/17
D707,904 S * 6/2014 Salagnac D32/71
D729,919 S 5/2015 Yeom
D748,235 S 1/2016 Yamashita
D786,414 S 5/2017 Kim
D786,415 S 5/2017 Kim

D788,397 S * 5/2017 Tan D32/73
D802,112 S 11/2017 Jeon
D828,654 S * 9/2018 Yao D32/1
D830,528 S 10/2018 Ye
D844,766 S 4/2019 Tang
D853,544 S 7/2019 Vu
D861,145 S 9/2019 Fang
D862,673 S 10/2019 Tang
2014/0345334 A1* 11/2014 Chua D06F 75/00
68/5 B

OTHER PUBLICATIONS

Notice of Allowance dated Nov. 22, 2019 for U.S. Appl. No. 29/666,017 (pp. 1-6).

* cited by examiner

Primary Examiner — Manpreet S Matharu
Assistant Examiner — Yolanda Robinson
(74) *Attorney, Agent, or Firm* — Loeb & Loeb LLP

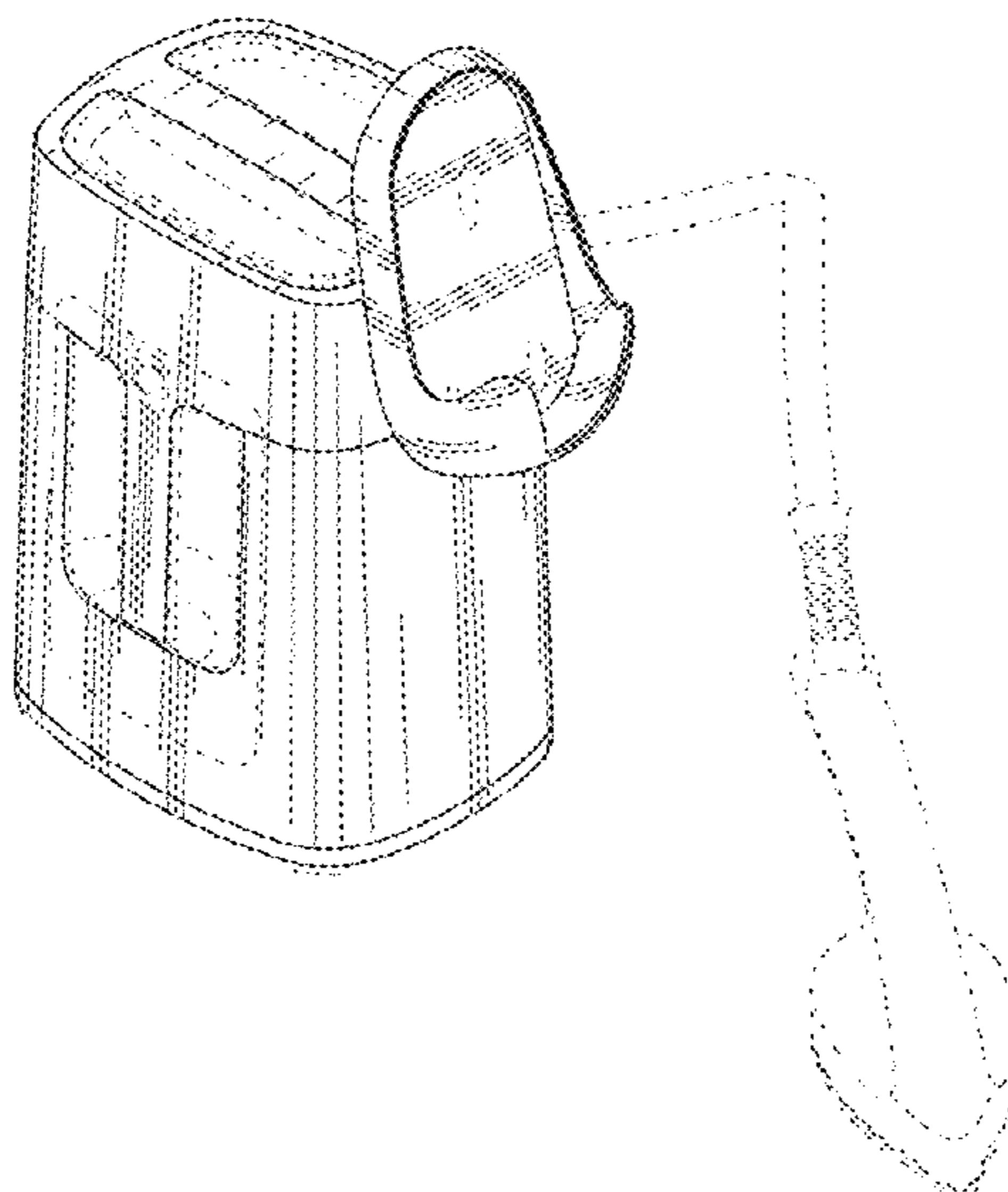
(57) **CLAIM**

The ornamental design for a steam generating apparatus, as shown and described.

DESCRIPTION

FIG. 1 is a perspective view of a steam generating apparatus showing my new design;
FIG. 2 is a front elevational view thereof;
FIG. 3 is a rear elevational view thereof;
FIG. 4 is a right side elevational view thereof;
FIG. 5 is a left side elevational view thereof;
FIG. 6 is a top view thereof;
FIG. 7 is a bottom view thereof; and,
FIG. 8 is another perspective view thereof.
The broken lines shown in the figure drawings depict portions of the steam generating apparatus that form no part of the claimed design. The dot dash lines in the figure drawings indicate the bounds of the claimed subject matter and forms no part thereof.

1 Claim, 8 Drawing Sheets



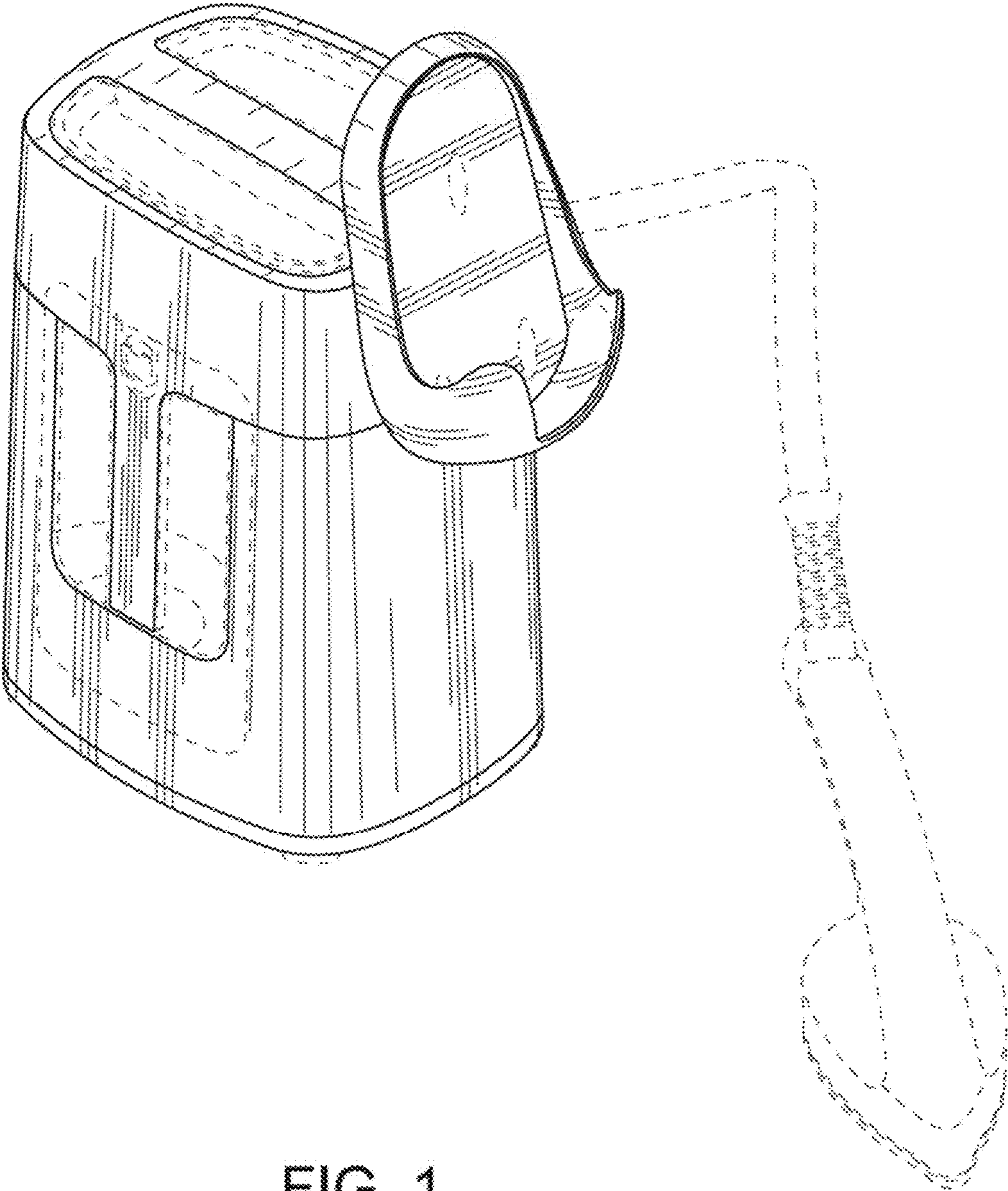


FIG. 1

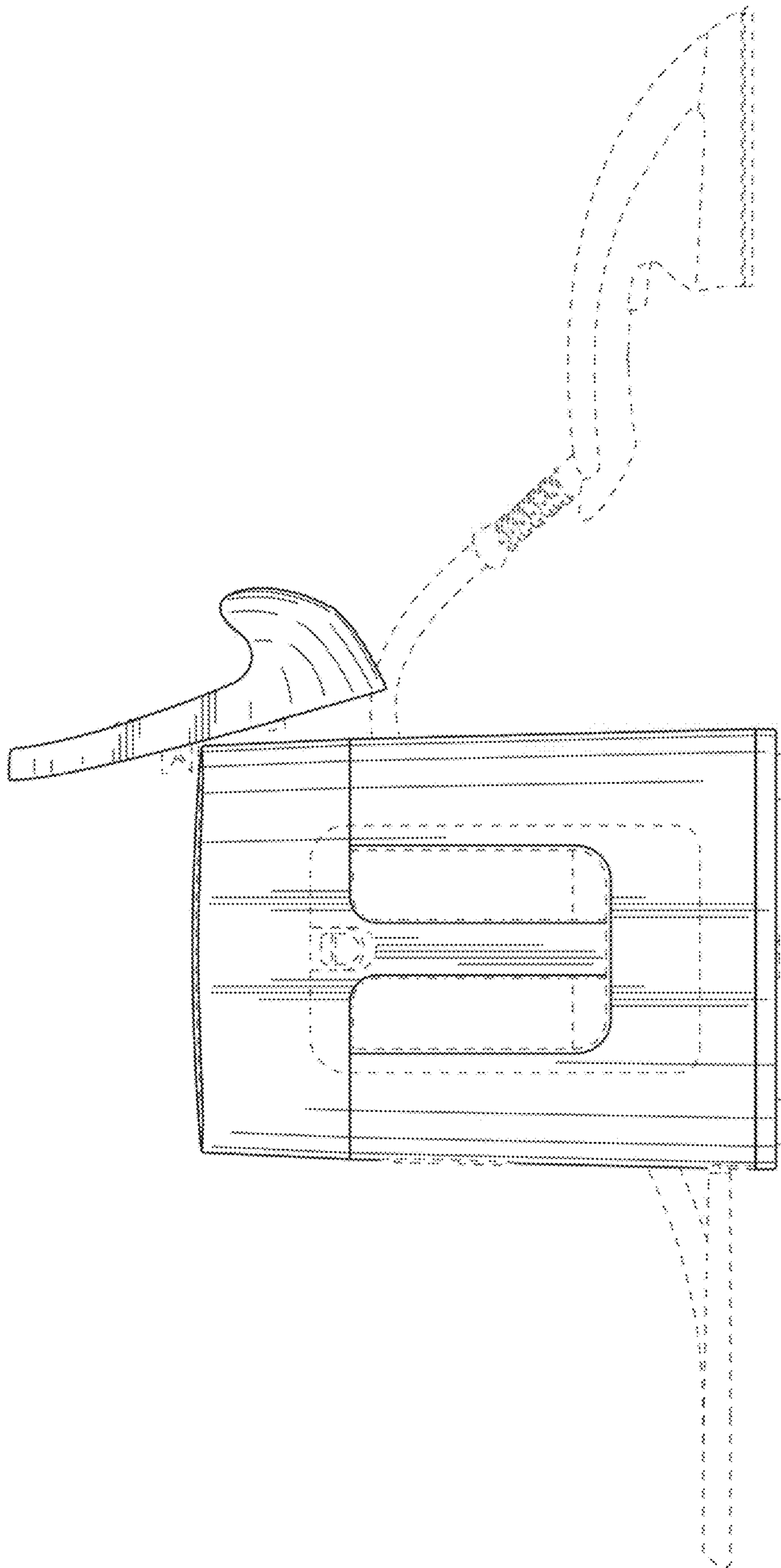


FIG. 2

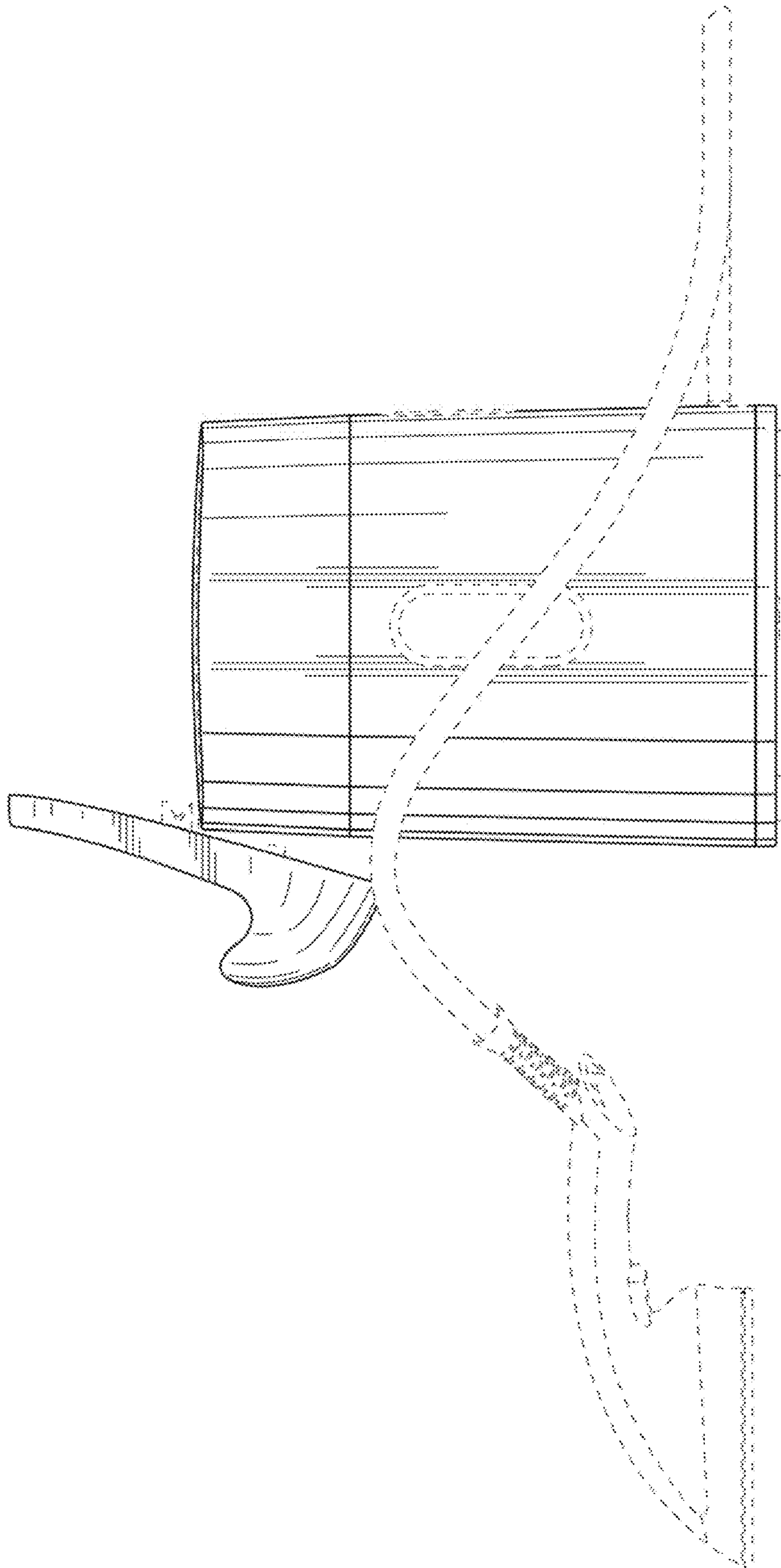


FIG. 3

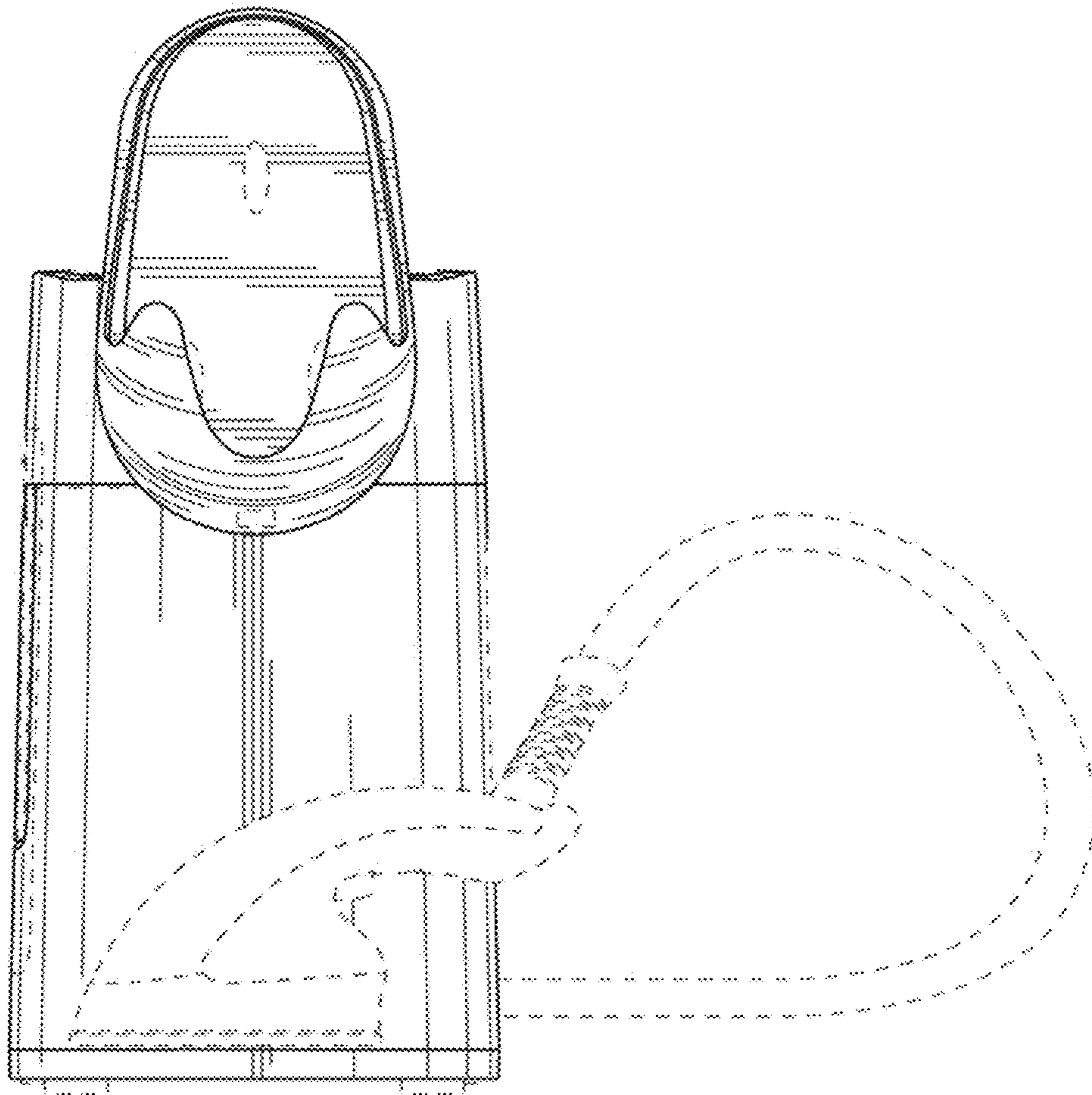


FIG. 4

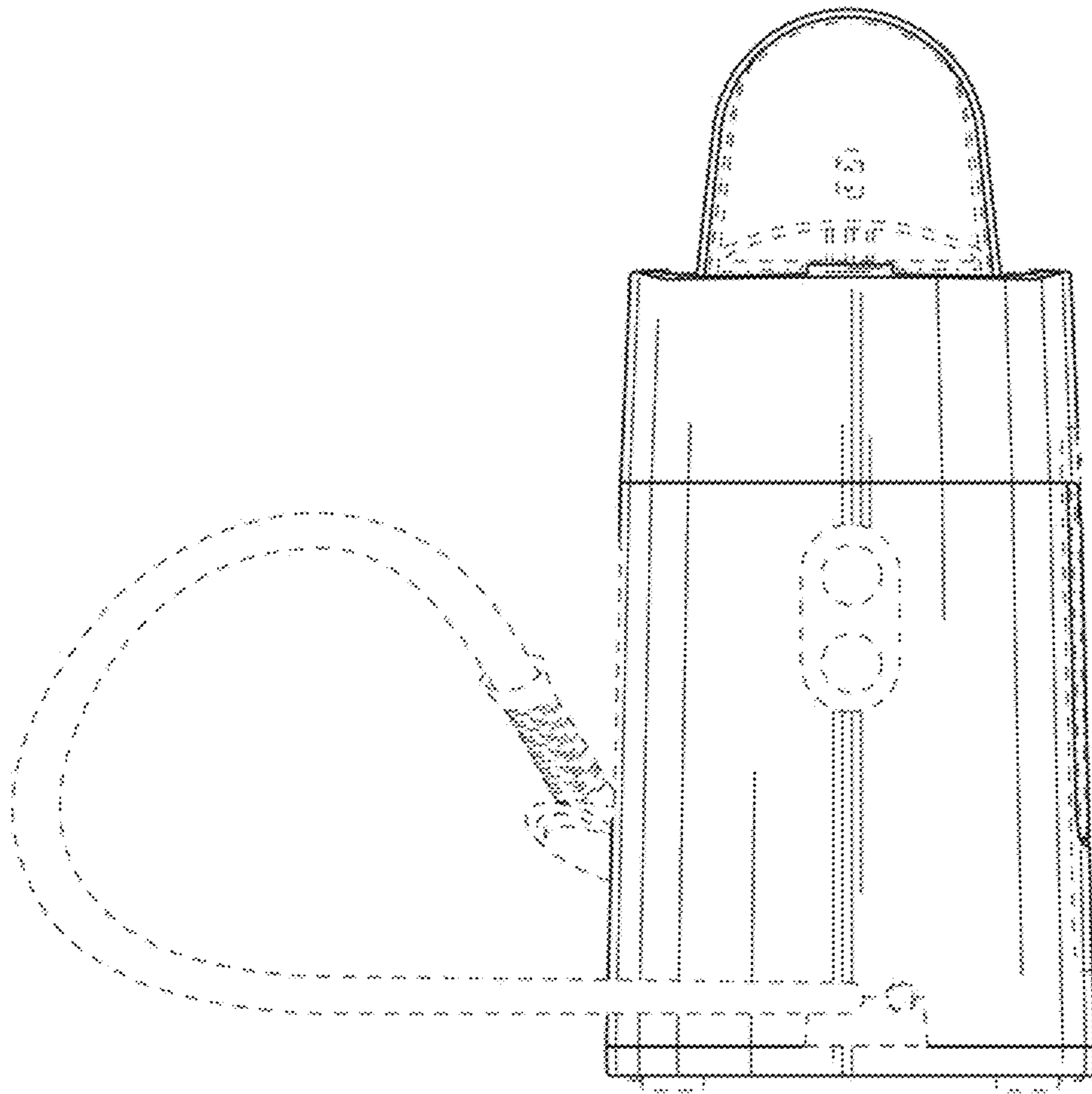


FIG. 5

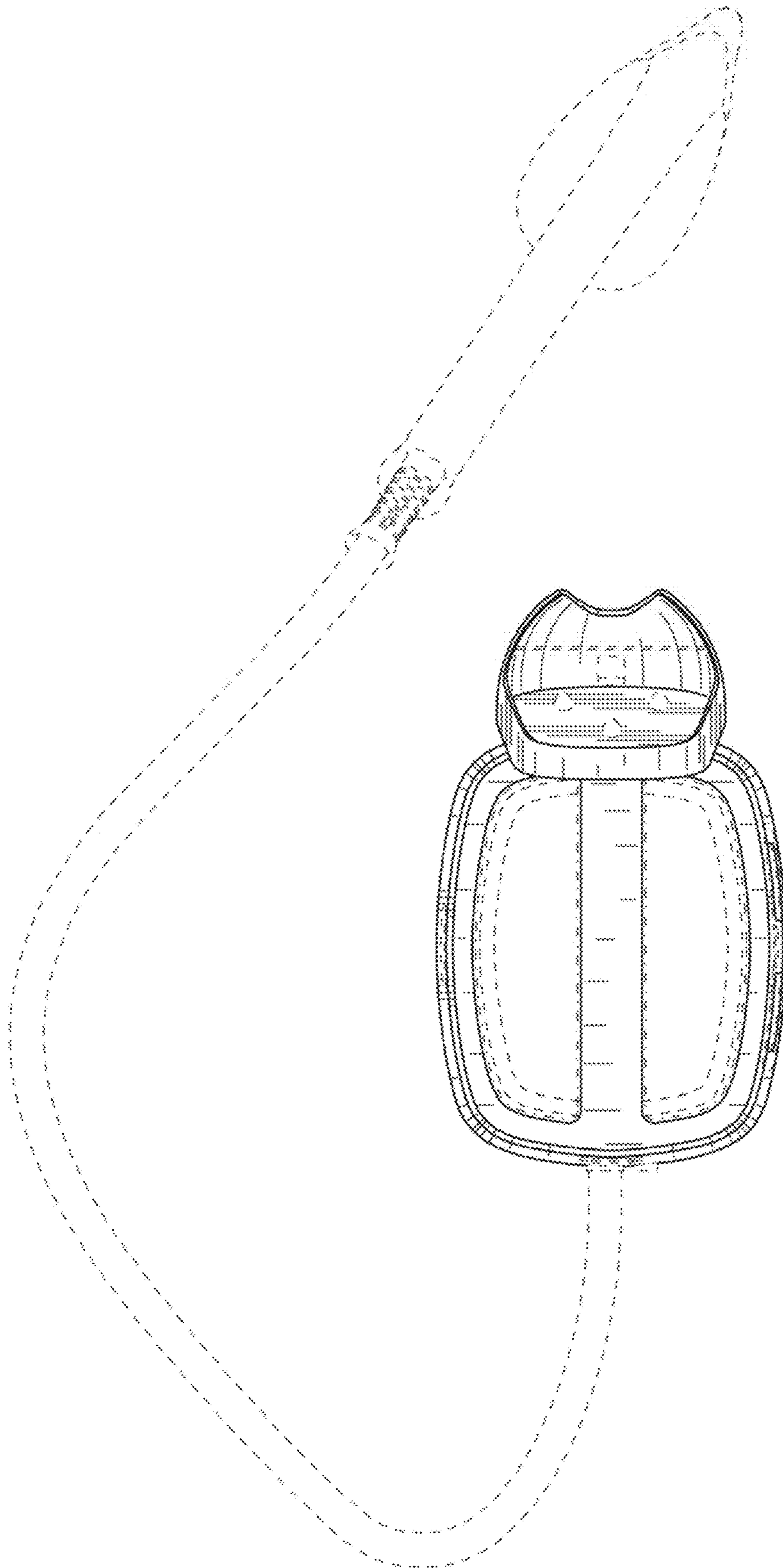


FIG. 6

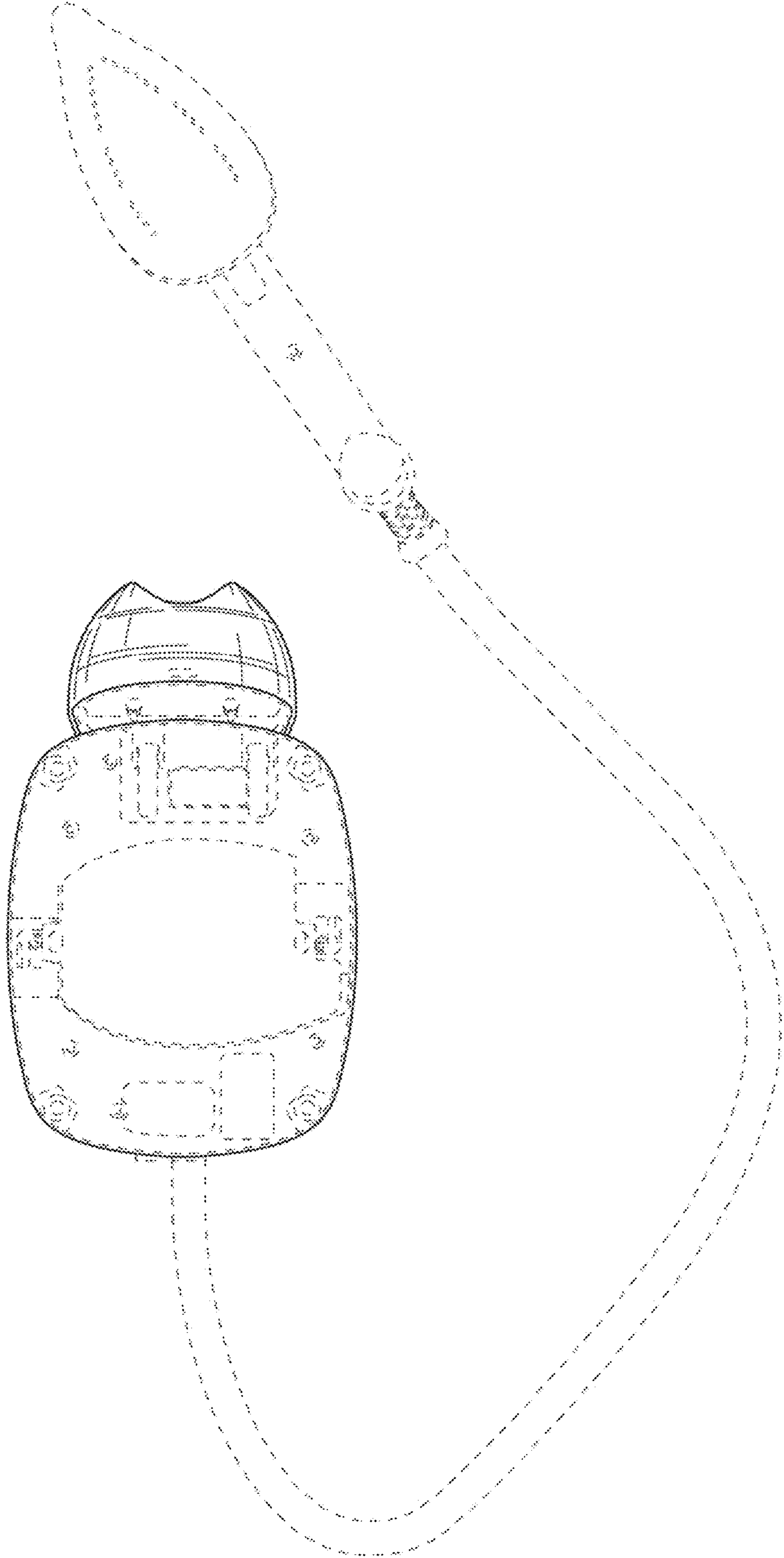


FIG. 7

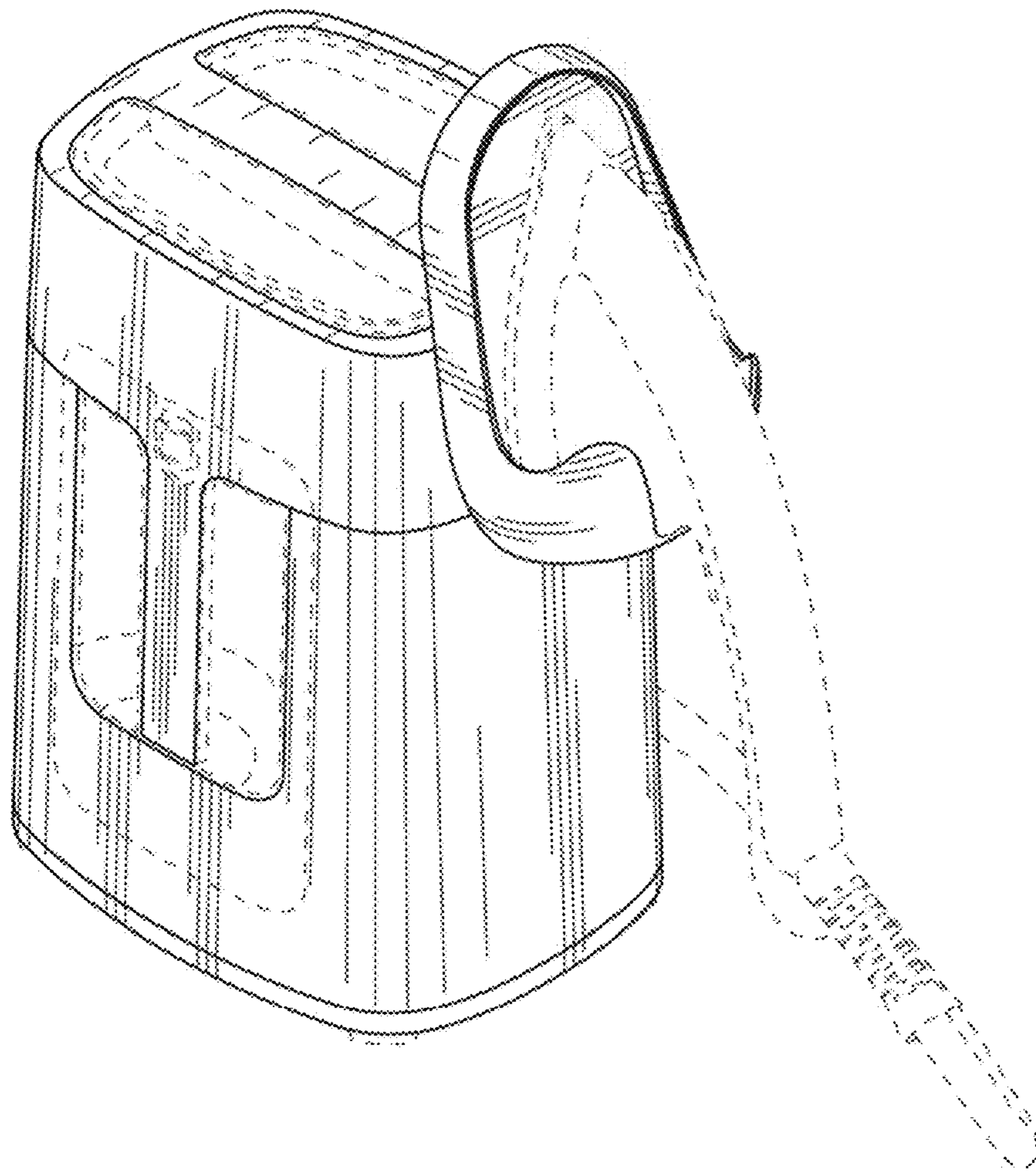


FIG. 8