



US00D895209S

(12) **United States Design Patent**
Lambrecht

(10) **Patent No.:** **US D895,209 S**

(45) **Date of Patent:** **** Sep. 1, 2020**

(54) **HAIR CLIPPER**

(71) Applicant: **WAHL GMBH**, Unterkirnach (DE)

(72) Inventor: **Sven Lambrecht**, Dauchingen (DE)

(73) Assignee: **WAHL GMBH**, Unterkirnach (DE)

(**) Term: **15 Years**

(21) Appl. No.: **29/668,678**

(22) Filed: **Nov. 1, 2018**

(51) **LOC (12) Cl.** **28-03**

(52) **U.S. Cl.**
USPC **D28/53**

(58) **Field of Classification Search**
USPC D28/49, 51, 53, 54
CPC .. B26B 19/3853-3866; B26B 19/3886; B26B
19/20; B26B 19/205; B26B 19/22; B26B
19/00-107

See application file for complete search history.

(56) **References Cited**

U.S. PATENT DOCUMENTS

D679,447 S *	4/2013	Colle	D28/53
D681,276 S *	4/2013	Colle	D28/53
D721,205 S *	1/2015	Colle	D28/53
D749,786 S *	2/2016	Werner	D28/53
D757,363 S *	5/2016	Sugiyama	D28/53
D757,364 S *	5/2016	Aulwes	D28/53
D760,438 S *	6/2016	Emminger	D28/53
D787,746 S *	5/2017	Werner	D28/53
D831,274 S *	10/2018	Gamble	D28/53
D834,253 S *	11/2018	Khubani	D28/50
D834,254 S *	11/2018	Khubani	D28/50

D836,840 S *	12/2018	Khubani	D28/50
D841,246 S *	2/2019	Stowers	D28/50
D841,247 S *	2/2019	Stowers	D28/50
D841,887 S *	2/2019	Stowers	D28/50
D847,431 S *	4/2019	Aulwes	D28/53
D851,835 S *	6/2019	Gross	D28/53
D857,296 S *	8/2019	Khubani	D28/51
D857,297 S *	8/2019	Khubani	D28/51
D859,743 S *	9/2019	Lambrecht	D28/53
D864,483 S *	10/2019	Chen	D28/53
D865,291 S *	10/2019	Xiong	D28/50
D866,859 S *	11/2019	Chen	D28/53
D868,373 S *	11/2019	Kling	D28/44.1
D870,383 S *	12/2019	Zhang	D28/53
D873,489 S *	1/2020	Zhou	D28/50
D880,067 S *	3/2020	Hu	D28/53

* cited by examiner

Primary Examiner — Jennifer Rivard

(74) *Attorney, Agent, or Firm* — Muirhead and Saturnelli, LLC

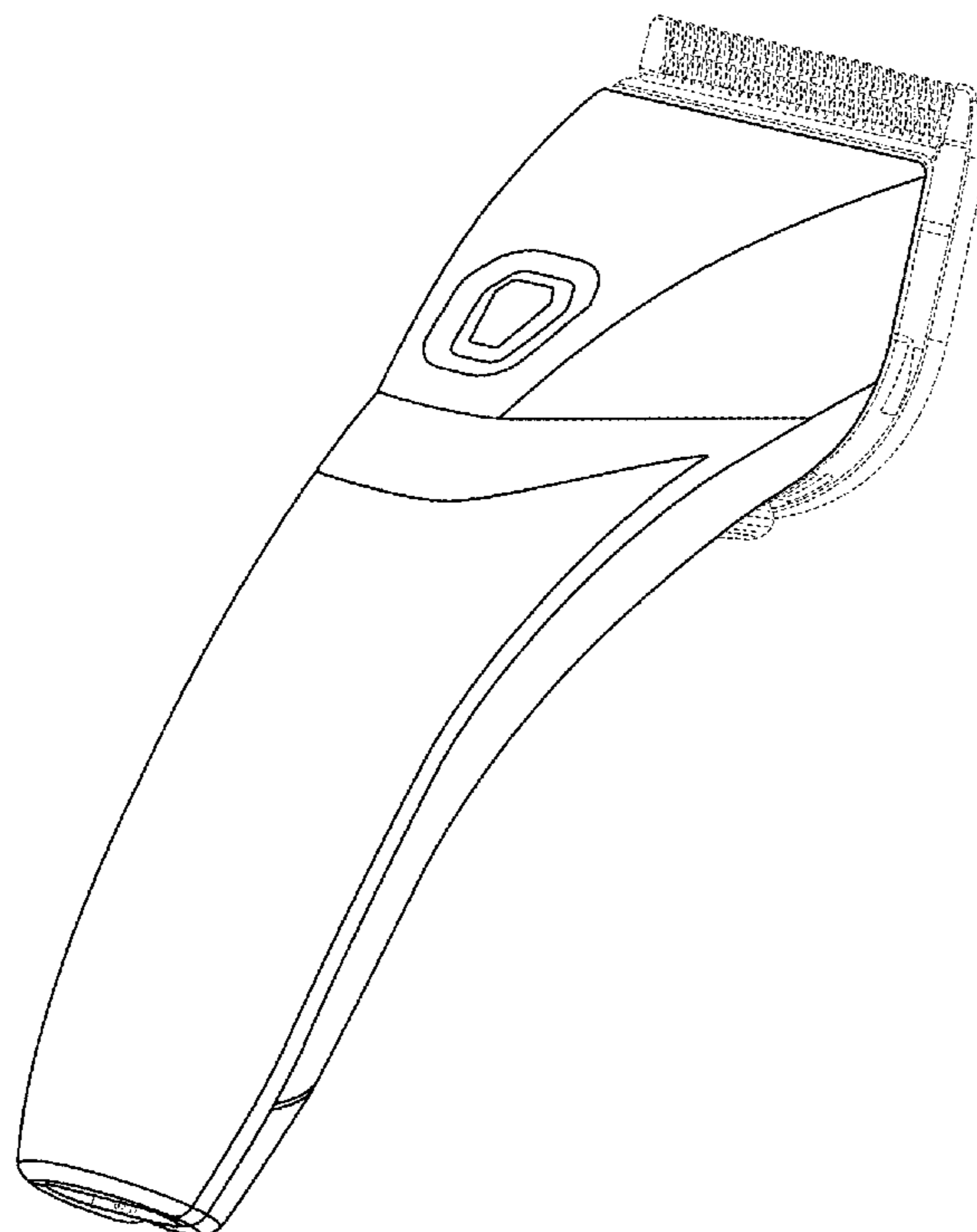
(57) **CLAIM**

The ornamental design for a hair clipper, as shown and described.

DESCRIPTION

FIG. 1 is a front view of a new design for a hair clipper. FIG. 2 is a perspective view of a new design for a hair clipper. FIG. 3 is a left view of a new design for a hair clipper. FIG. 4 is a bottom view of a new design for a hair clipper. FIG. 5 is a right view of a new design for a hair clipper. FIG. 6 is a back view of a new design for a hair clipper; and, FIG. 7 is a top view of a new design for a hair clipper.

1 Claim, 7 Drawing Sheets



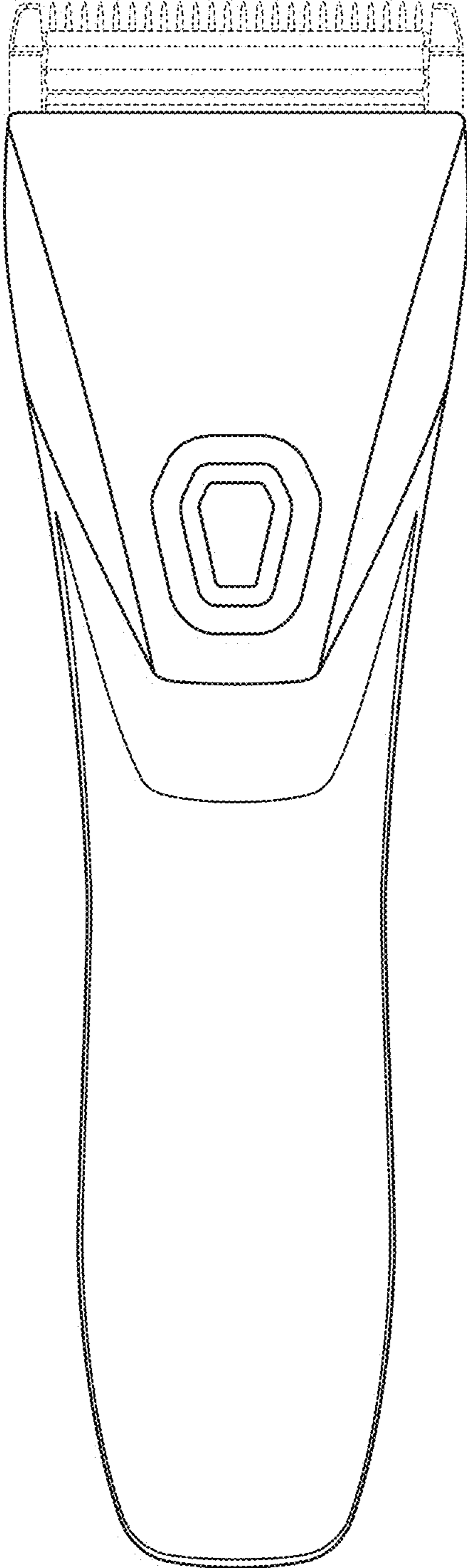


FIG. 1

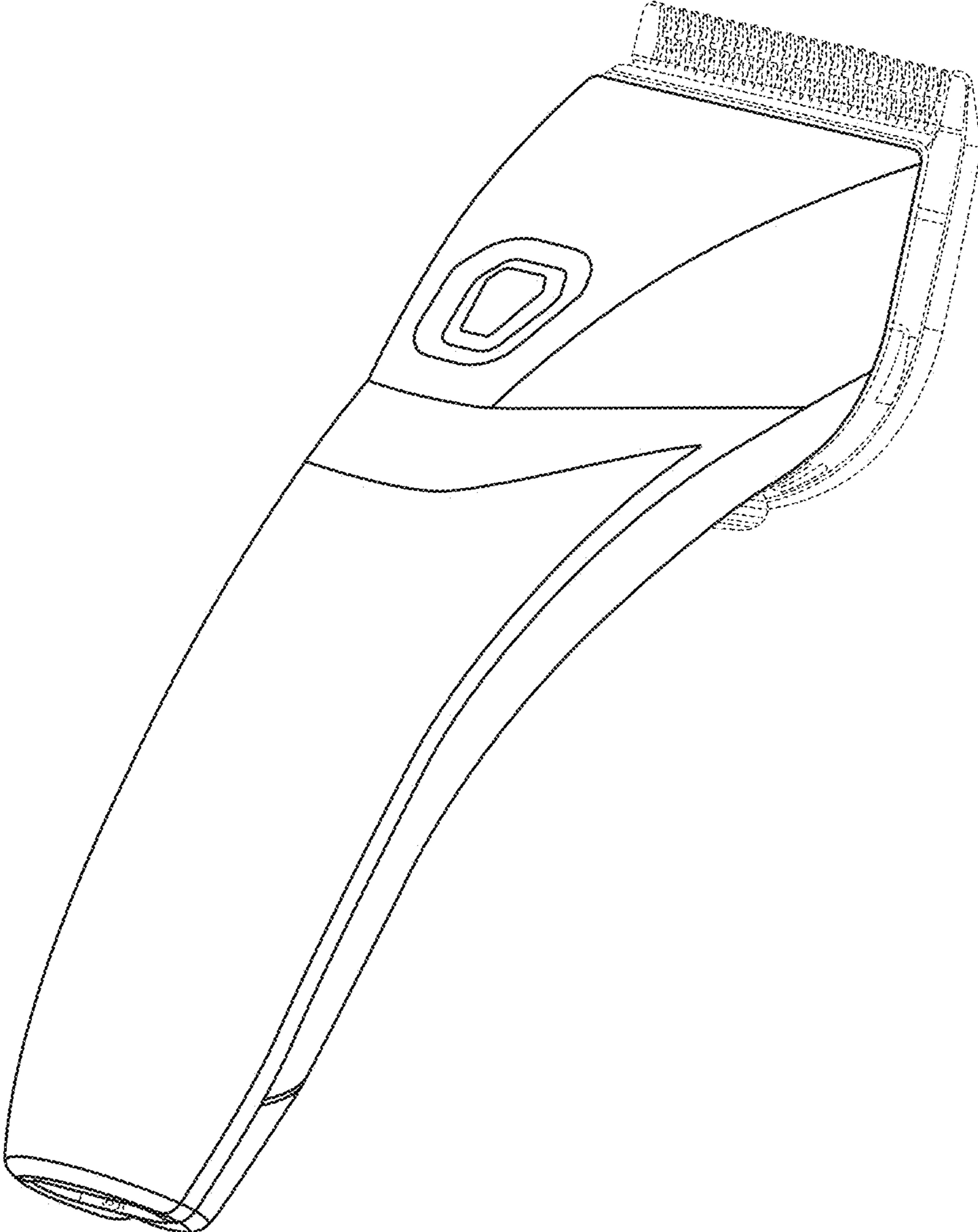


FIG. 2

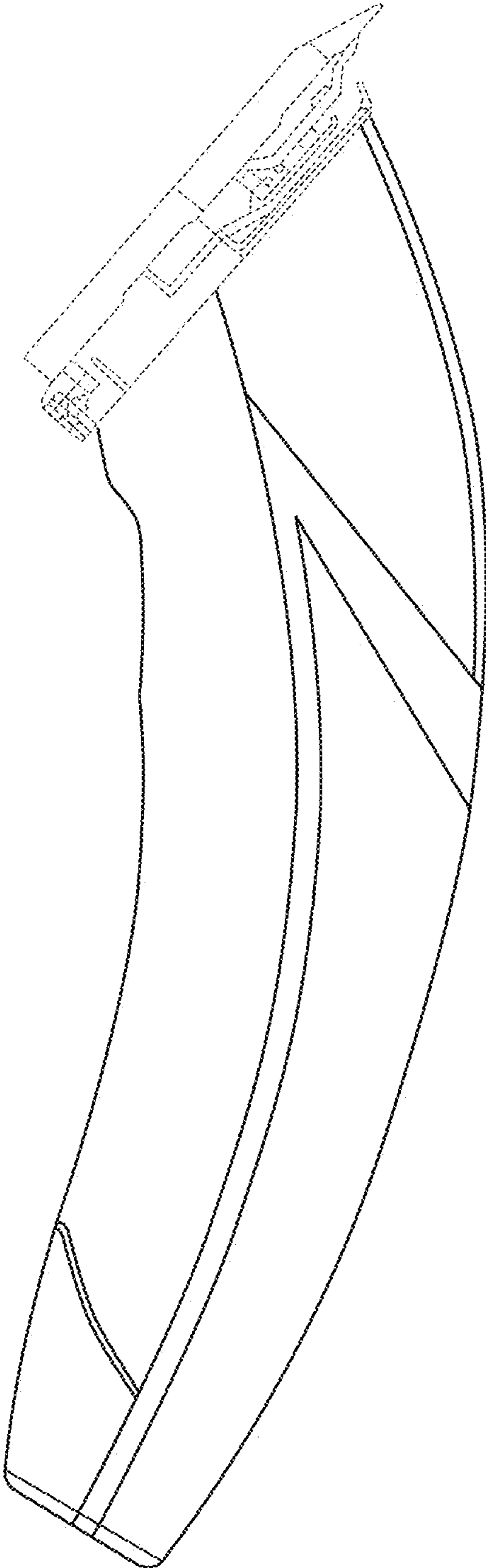


FIG. 3

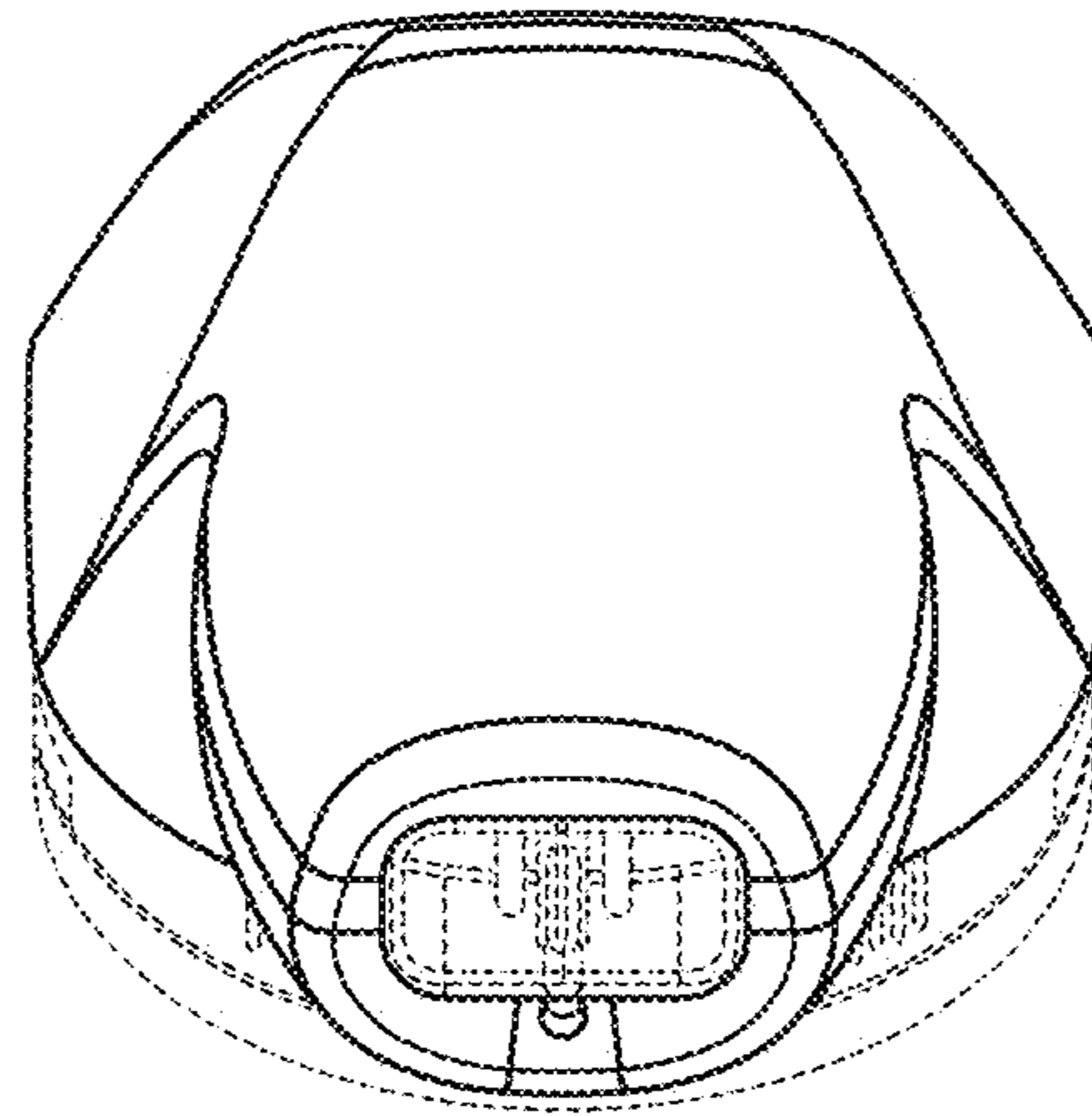


FIG. 4



FIG. 5

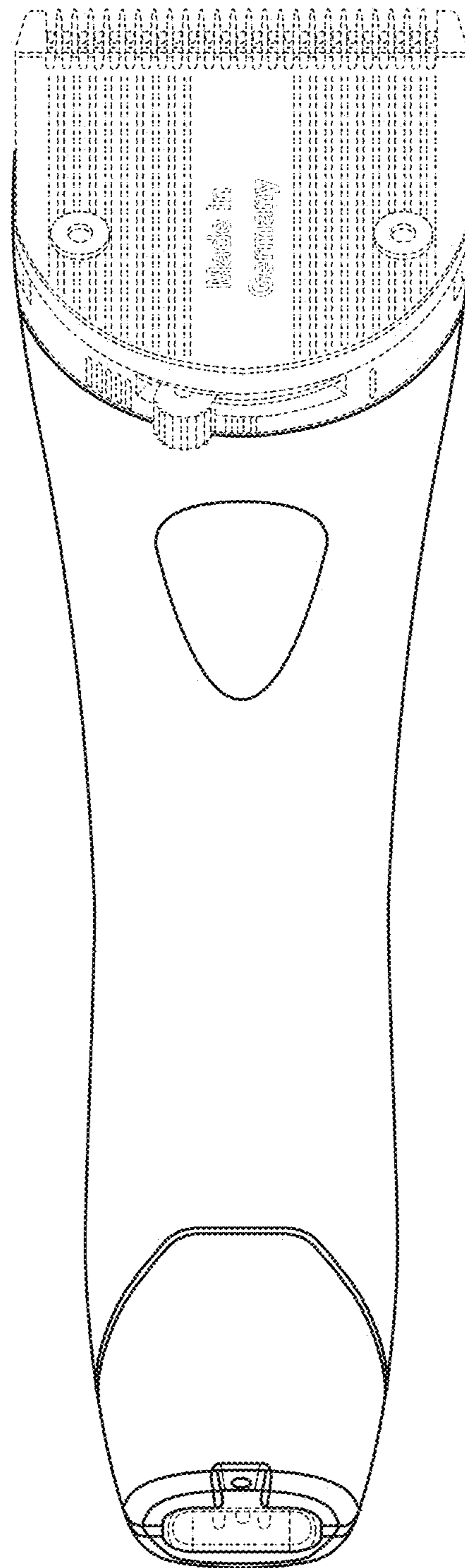


FIG. 6

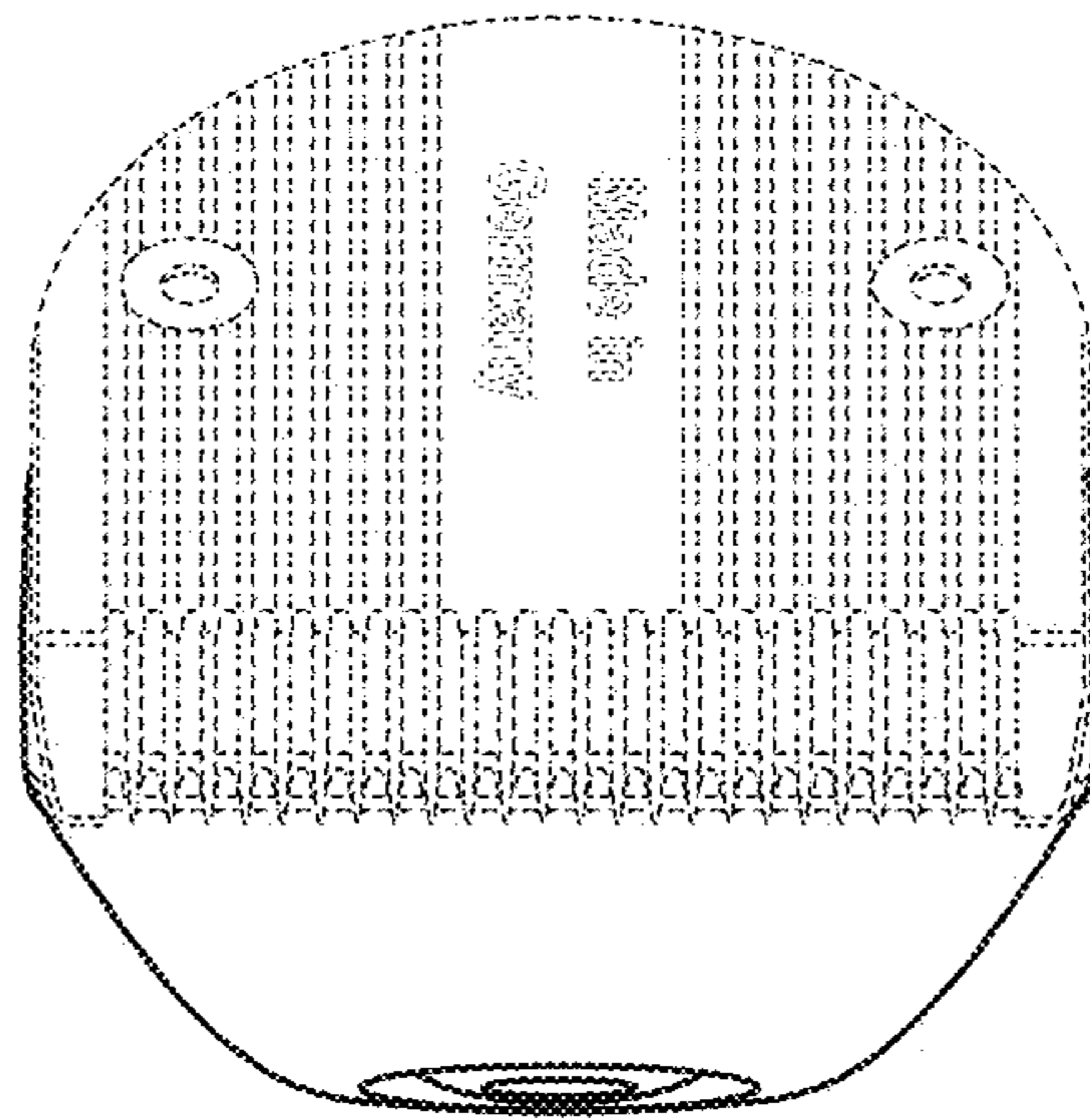


FIG. 7