



US00D895208S

(12) **United States Design Patent** (10) **Patent No.:** **US D895,208 S**  
**Jin** (45) **Date of Patent:** **\*\* Sep. 1, 2020**

(54) **RAZOR HEAD**  
(71) Applicant: **Wenzhou Mers Razor Works Co., Ltd.**, Wenzhou (CN)  
(72) Inventor: **Yanqiu Jin**, Wenzhou (CN)  
(73) Assignee: **WENZHOU MERS RAZOR WORKS CO., LTD.**, Wenzhou (CN)

D524,986 S \* 7/2006 Prudden, Jr. .... D28/47  
D563,043 S \* 2/2008 Ramm ..... D28/47  
D563,044 S \* 2/2008 Ramm ..... D28/47  
D631,198 S \* 1/2011 Adams ..... D28/47  
D772,484 S \* 11/2016 Otsuka ..... D28/47  
D776,875 S \* 1/2017 Ren ..... D28/47  
D829,380 S \* 9/2018 Kong ..... D28/47  
2014/0259675 A1 \* 9/2014 Tucker ..... B26B 21/4012  
30/41  
2019/0099905 A1 \* 4/2019 Park ..... B26B 21/225  
2019/0202076 A1 \* 7/2019 Park ..... B26B 21/225

(\*\*) Term: **15 Years**

\* cited by examiner

(21) Appl. No.: **29/653,303**

*Primary Examiner* — Jennifer Rivard  
*Assistant Examiner* — Alison M Ofstun

(22) Filed: **Jun. 14, 2018**

(74) *Attorney, Agent, or Firm* — Shimokaji IP

(51) **LOC (12) Cl.** ..... **28-03**

(57) **CLAIM**

(52) **U.S. Cl.**  
USPC ..... **D28/47**

The ornamental design for a razor head, as shown and described.

(58) **Field of Classification Search**  
USPC ..... D28/44–54  
CPC ... B26B 21/00–12; B26B 21/14; B26B 21/16;  
B26B 21/165; B26B 21/18; B26B 21/185;  
B26B 21/20–227; B26B 19/00; B26B  
19/10; B26B 19/12; B26B 19/14; B26B  
19/38; B26B 19/02–107  
See application file for complete search history.

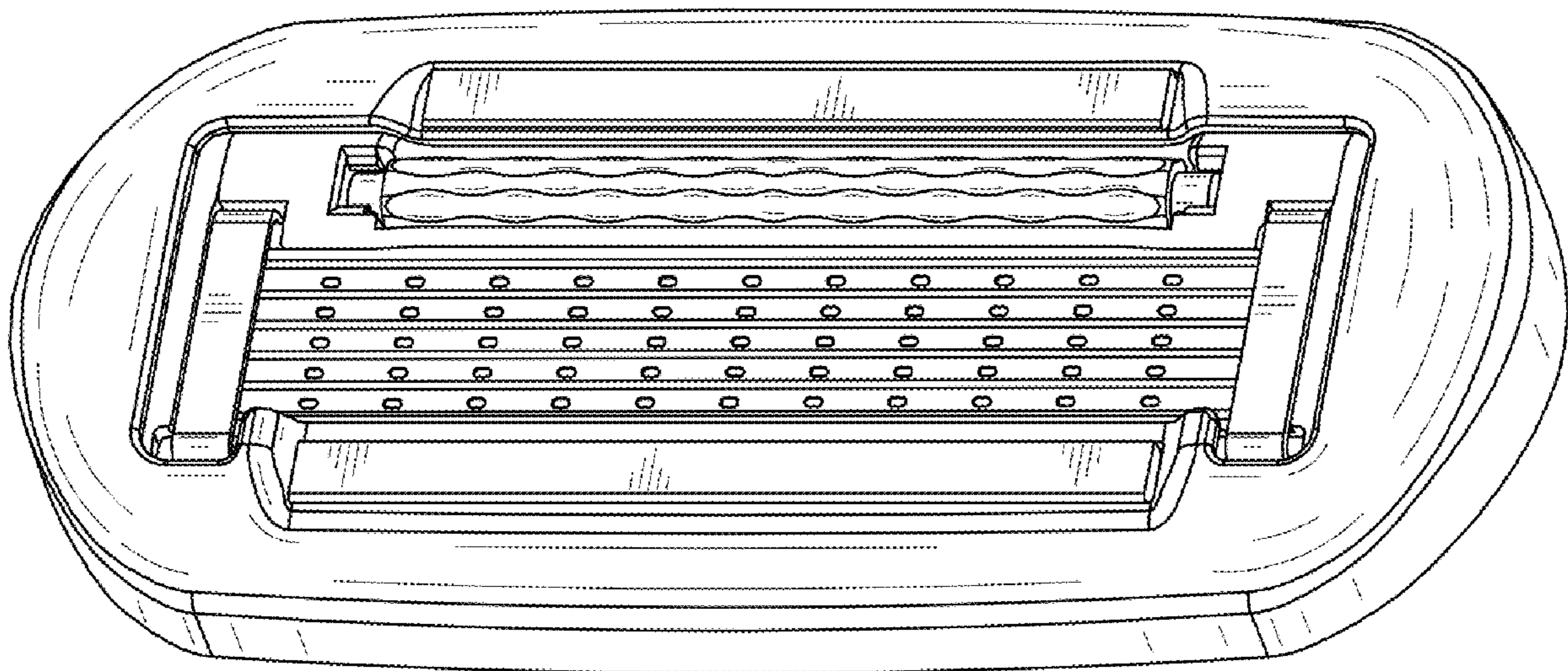
**DESCRIPTION**

FIG. 1 is a front elevation view of a razor head showing our design;  
FIG. 2 is a rear elevational view thereof;  
FIG. 3 is a left side elevational view thereof;  
FIG. 4 is a right side elevational view thereof;  
FIG. 5 is a top plan view thereof;  
FIG. 6 is a bottom plan view thereof;  
FIG. 7 is a perspective view thereof; and,  
FIG. 8 is another perspective view thereof.  
In the drawings, the broken lines represent portions of the article which form no part of the claimed design.

(56) **References Cited**  
U.S. PATENT DOCUMENTS

D415,315 S \* 10/1999 Swanson ..... D28/47  
6,349,471 B1 \* 2/2002 Gruslin ..... B26B 21/4012  
30/50

**1 Claim, 3 Drawing Sheets**



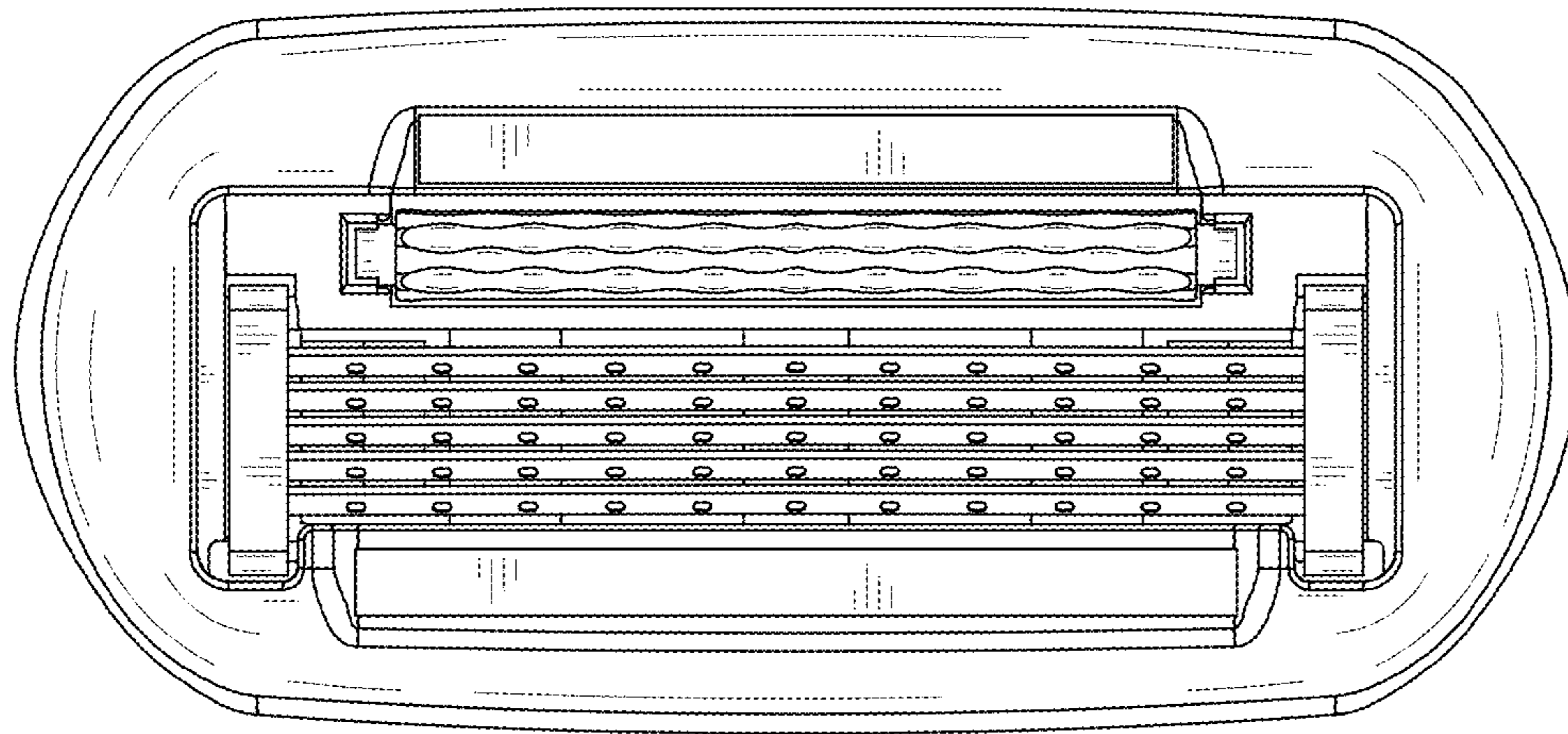


Fig.1

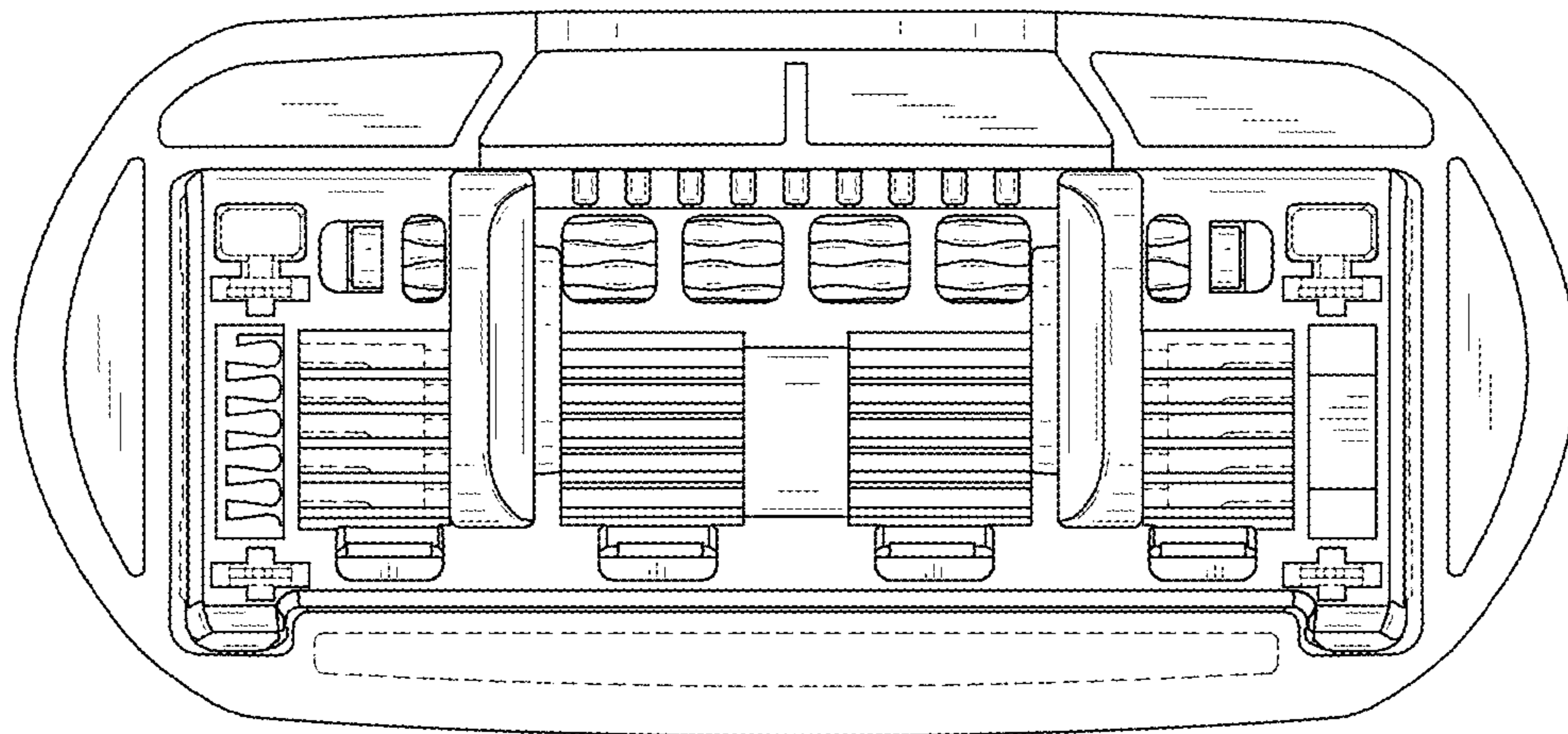


Fig.2

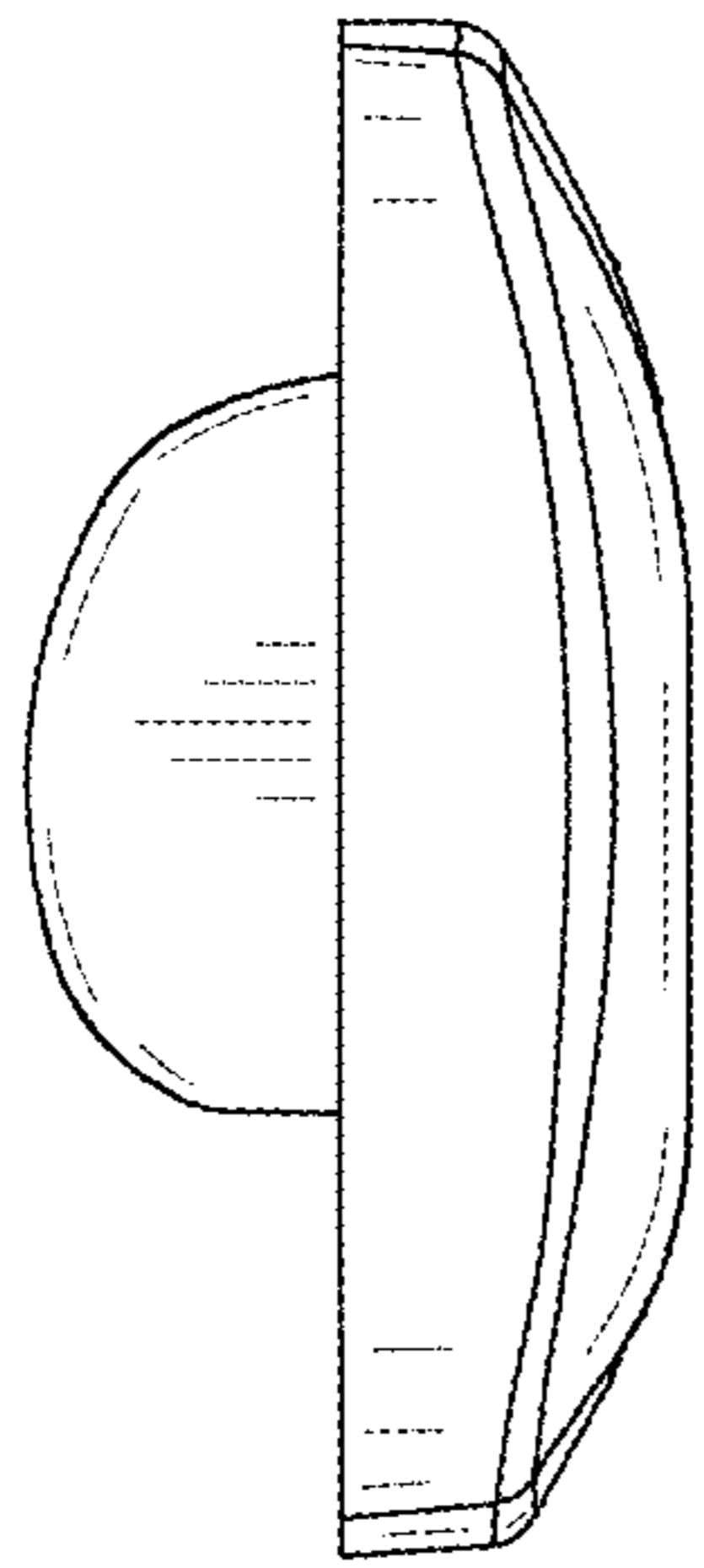


Fig.3

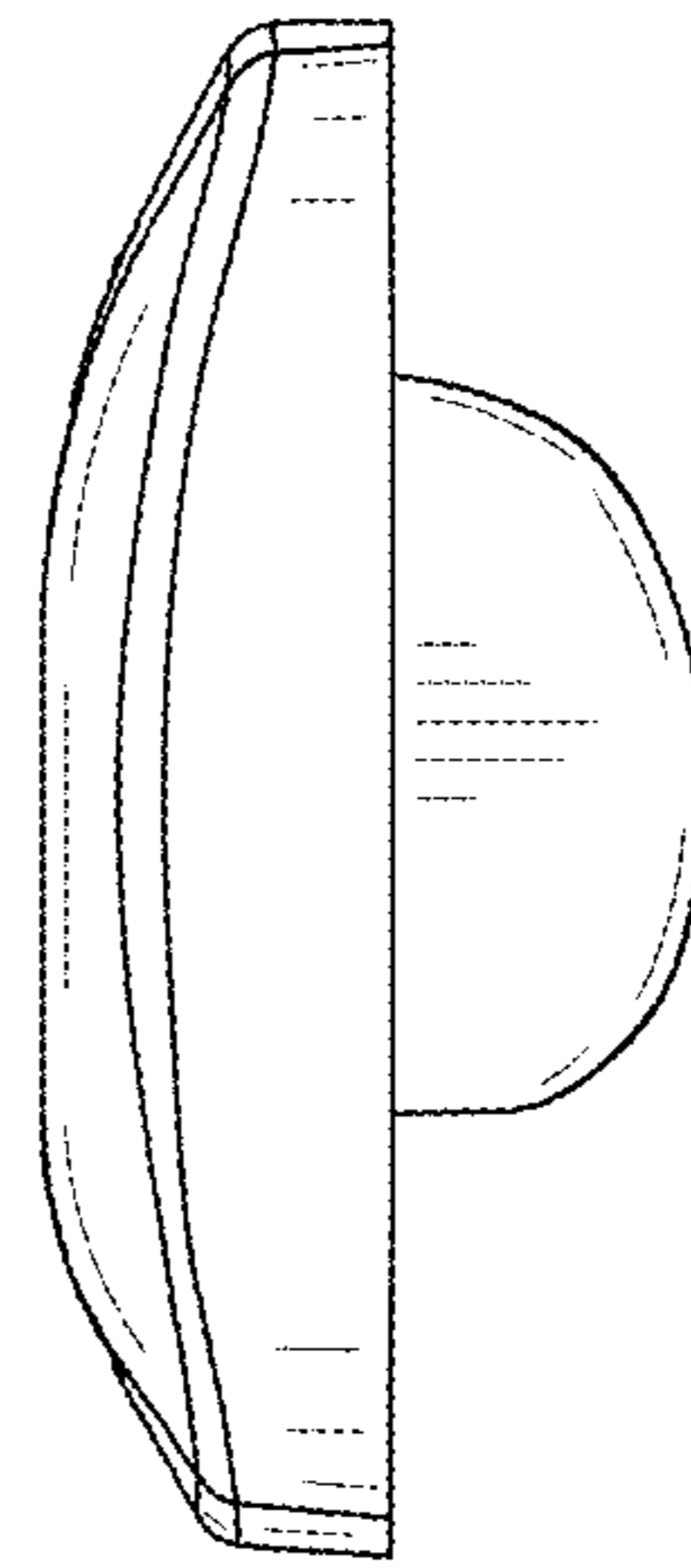


Fig.4

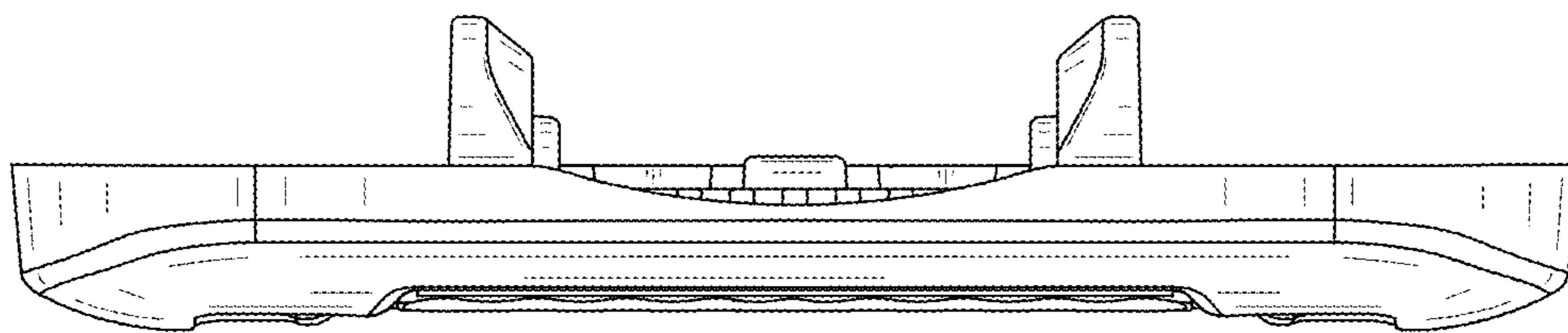


Fig.5

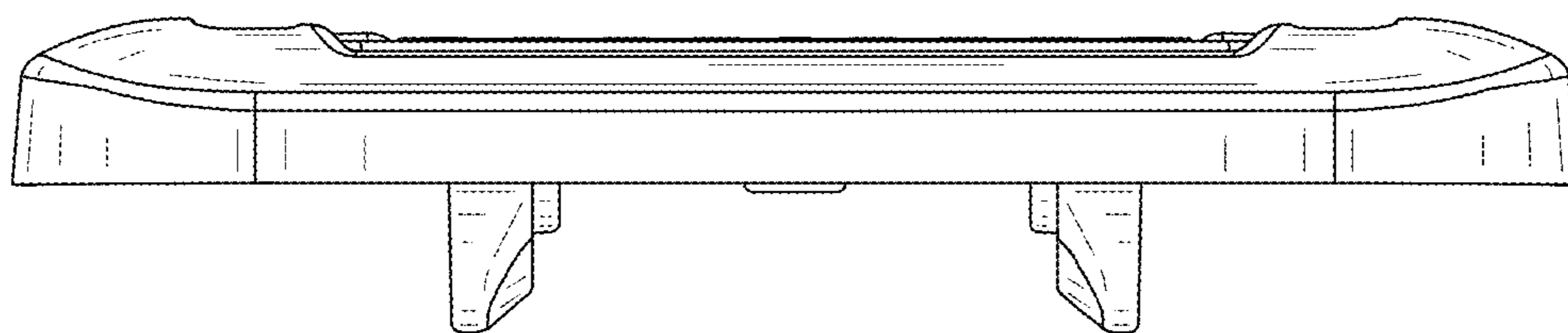


Fig.6

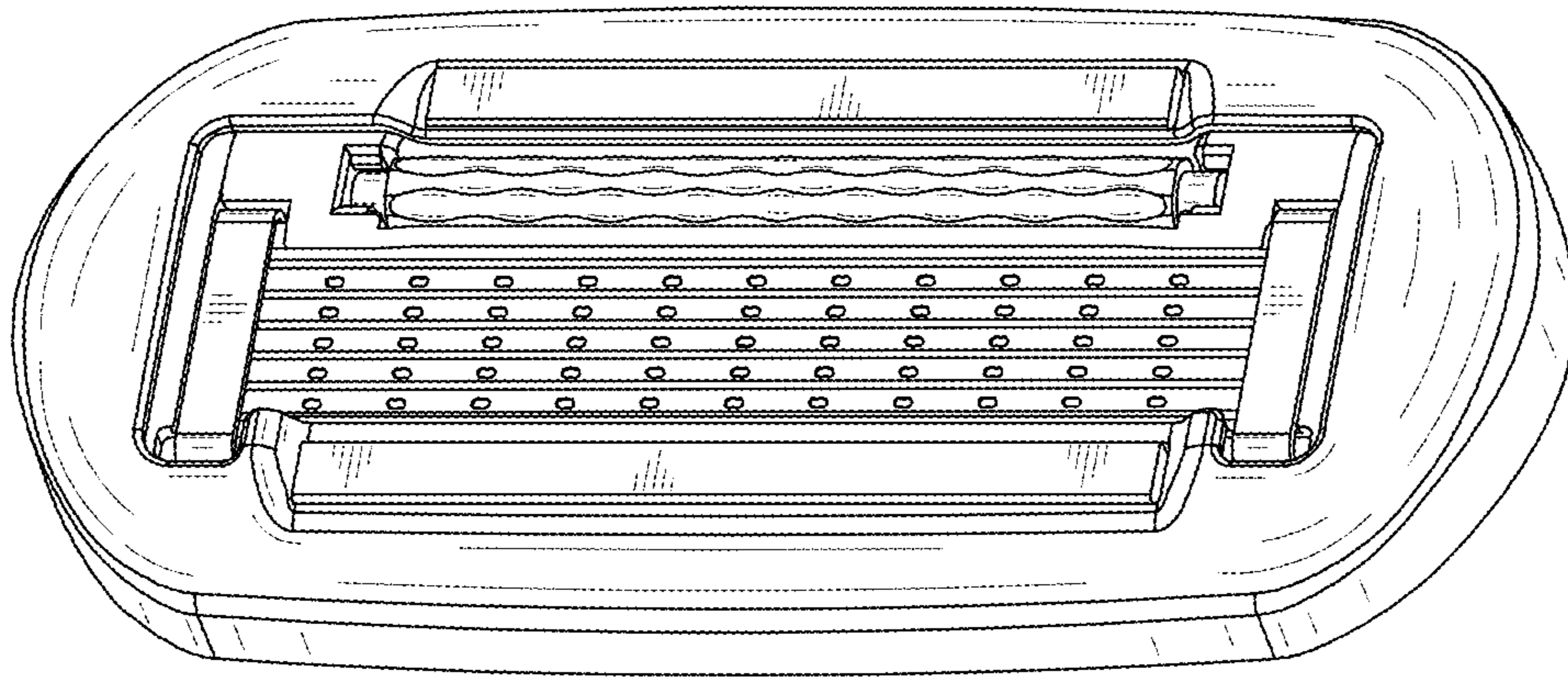


Fig.7

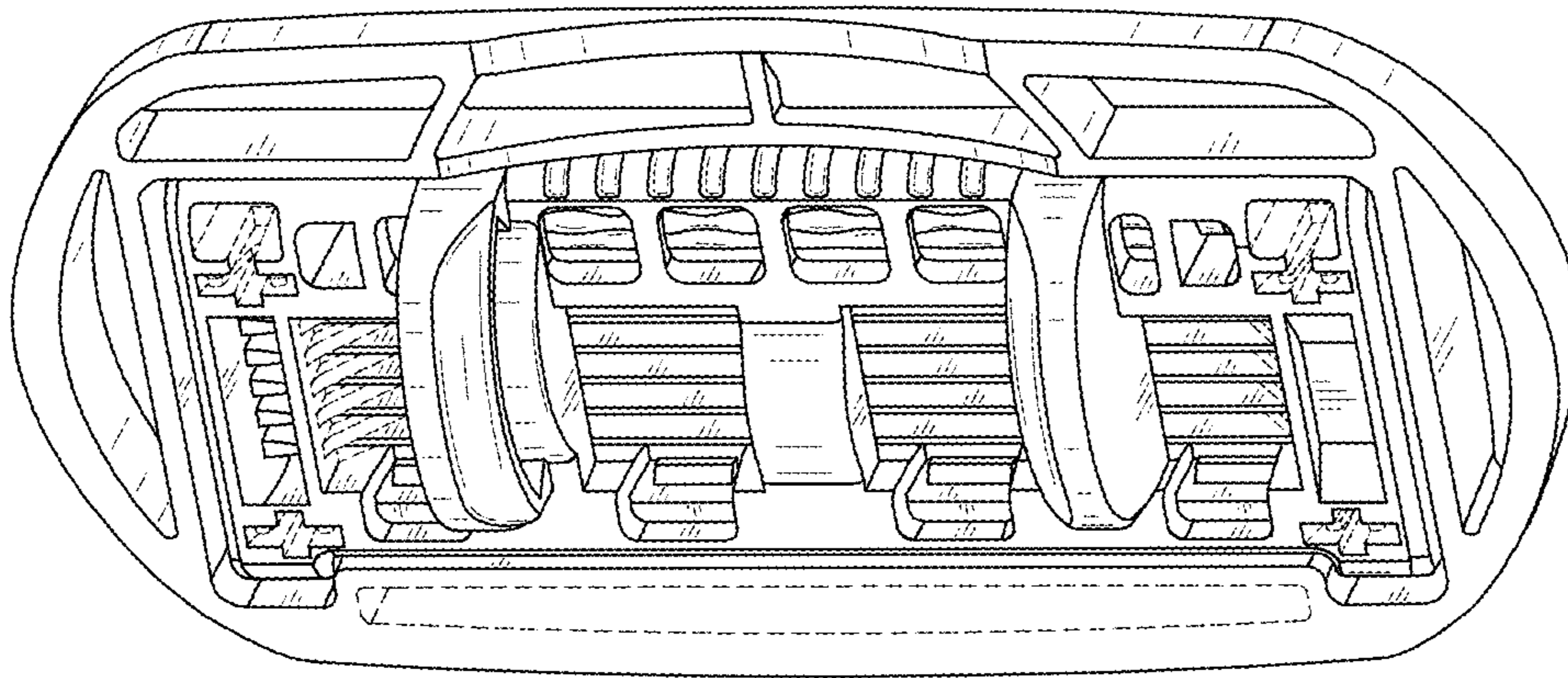


Fig.8