



US00D895207S

(12) **United States Design Patent**  
**Huang**

(10) **Patent No.:** **US D895,207 S**

(45) **Date of Patent:** **\*\* Sep. 1, 2020**

(54) **EPILATOR**

(71) Applicant: **Shenzhen Bosidi Technology Co., Ltd.**, Shenzhen (CN)

(72) Inventor: **Guoli Huang**, Fujian (CN)

(\*\*) Term: **15 Years**

(21) Appl. No.: **29/690,544**

(22) Filed: **May 9, 2019**

(51) **LOC (12) Cl.** ..... **28-03**

(52) **U.S. Cl.**  
USPC ..... **D28/44.1; D24/209**

(58) **Field of Classification Search**  
USPC ..... D28/44–44.1; D24/209, 214  
CPC .... A61B 2018/0047; A61B 2018/0452; A61B  
2018/202; A61B 2018/00476; A45D  
26/0004–0009

See application file for complete search history.

(56) **References Cited**

**U.S. PATENT DOCUMENTS**

- D535,746 S \* 1/2007 Grove ..... D28/44.1
- D589,650 S \* 3/2009 Adriaenssen ..... D28/44.1
- D706,980 S \* 6/2014 Tasar ..... D24/209

- D808,076 S \* 1/2018 Gabriele ..... D28/44.1
- D827,929 S \* 9/2018 Mathieu ..... D28/44
- D843,656 S \* 3/2019 Zhang ..... D28/44.1
- D844,896 S \* 4/2019 Levi ..... D28/44.1
- D863,578 S \* 10/2019 Yan ..... D24/209
- D865,288 S \* 10/2019 Huang ..... D28/44.1
- D865,289 S \* 10/2019 Huang ..... D28/44.1

\* cited by examiner

*Primary Examiner* — Jennifer Rivard

(74) *Attorney, Agent, or Firm* — Prakash Nama; Global IP Services, PLLC

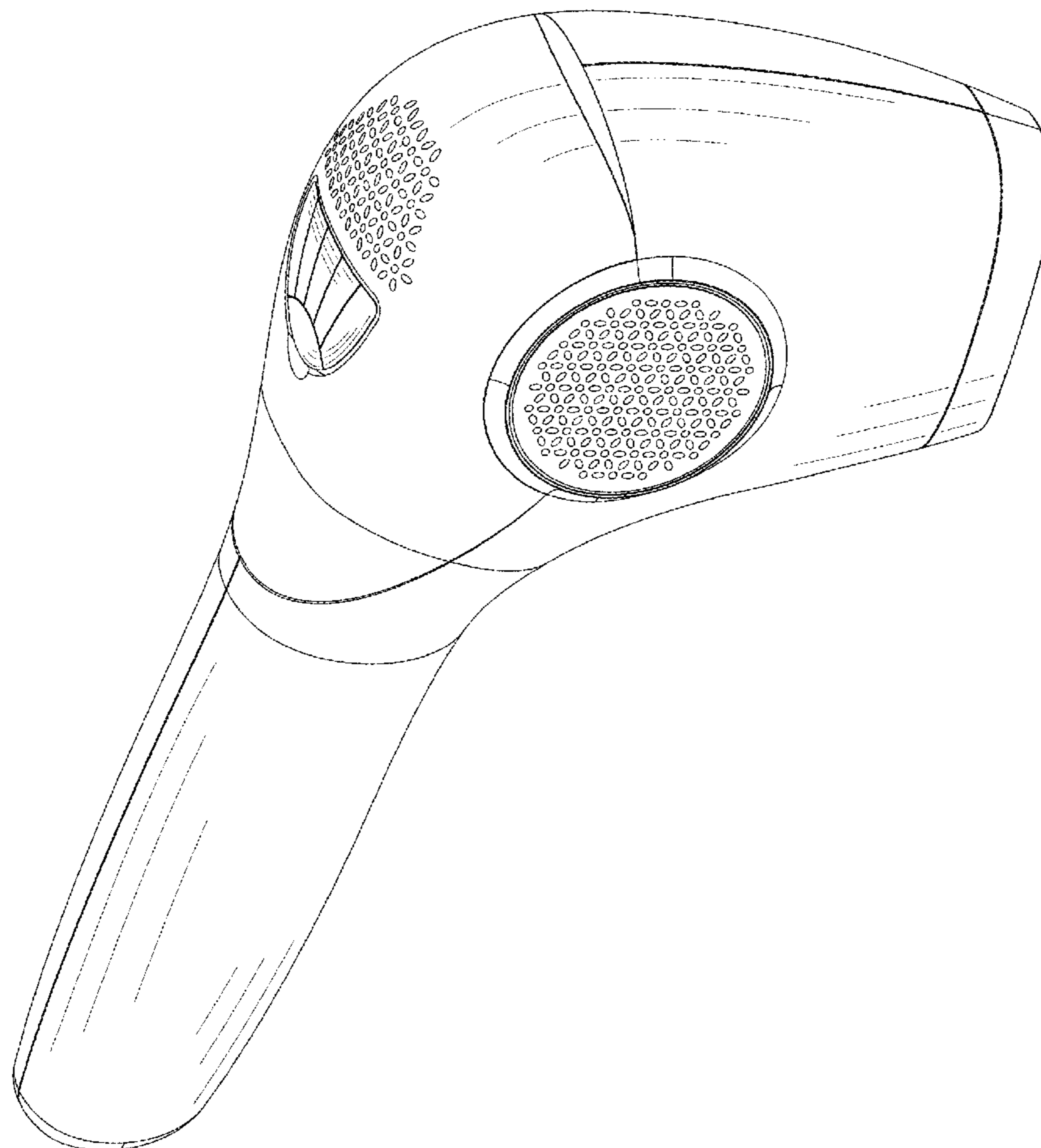
(57) **CLAIM**

The ornamental design for an epilator, as shown and described.

**DESCRIPTION**

FIG. 1 is a front elevational view of an epilator showing my new design;  
 FIG. 2 is a rear elevational view thereof;  
 FIG. 3 is a left side view thereof;  
 FIG. 4 is a right side view thereof;  
 FIG. 5 is a top plan view thereof;  
 FIG. 6 is a bottom plan view thereof; and,  
 FIG. 7 is a perspective view thereof.  
 The broken lines illustrate portions of the epilator and form no part of the claimed design.

**1 Claim, 7 Drawing Sheets**



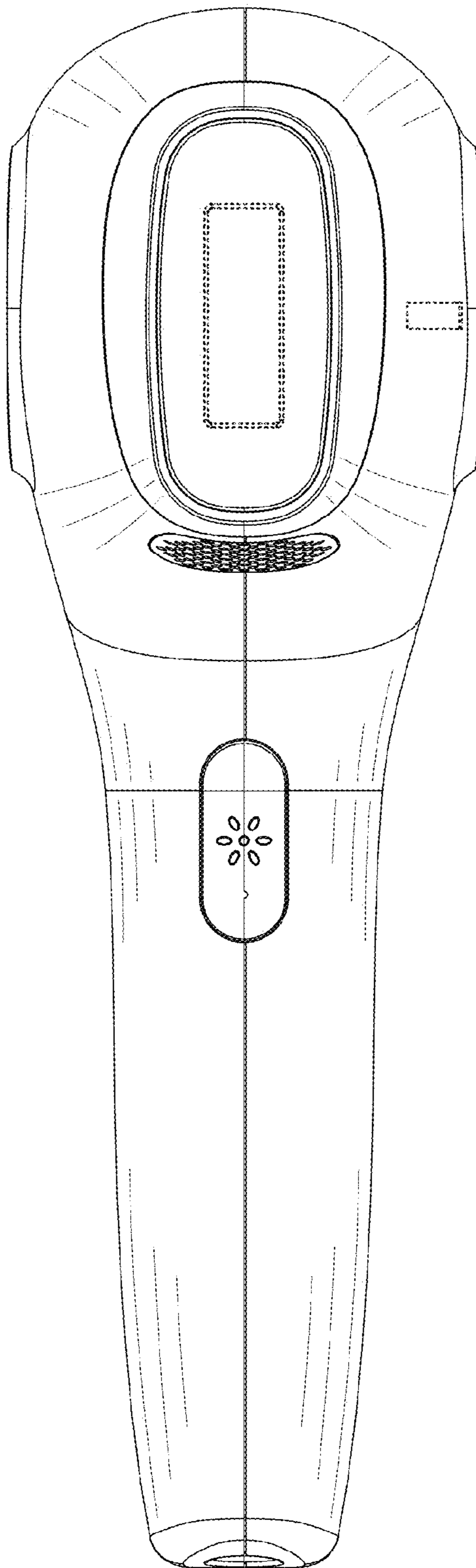


Fig. 1

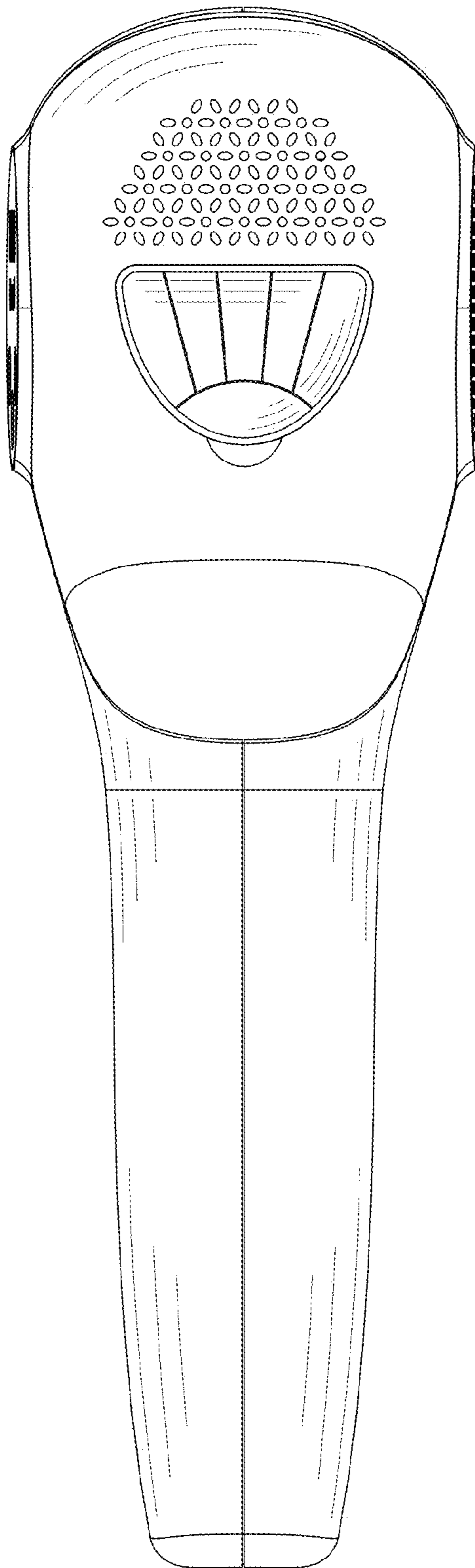


Fig.2

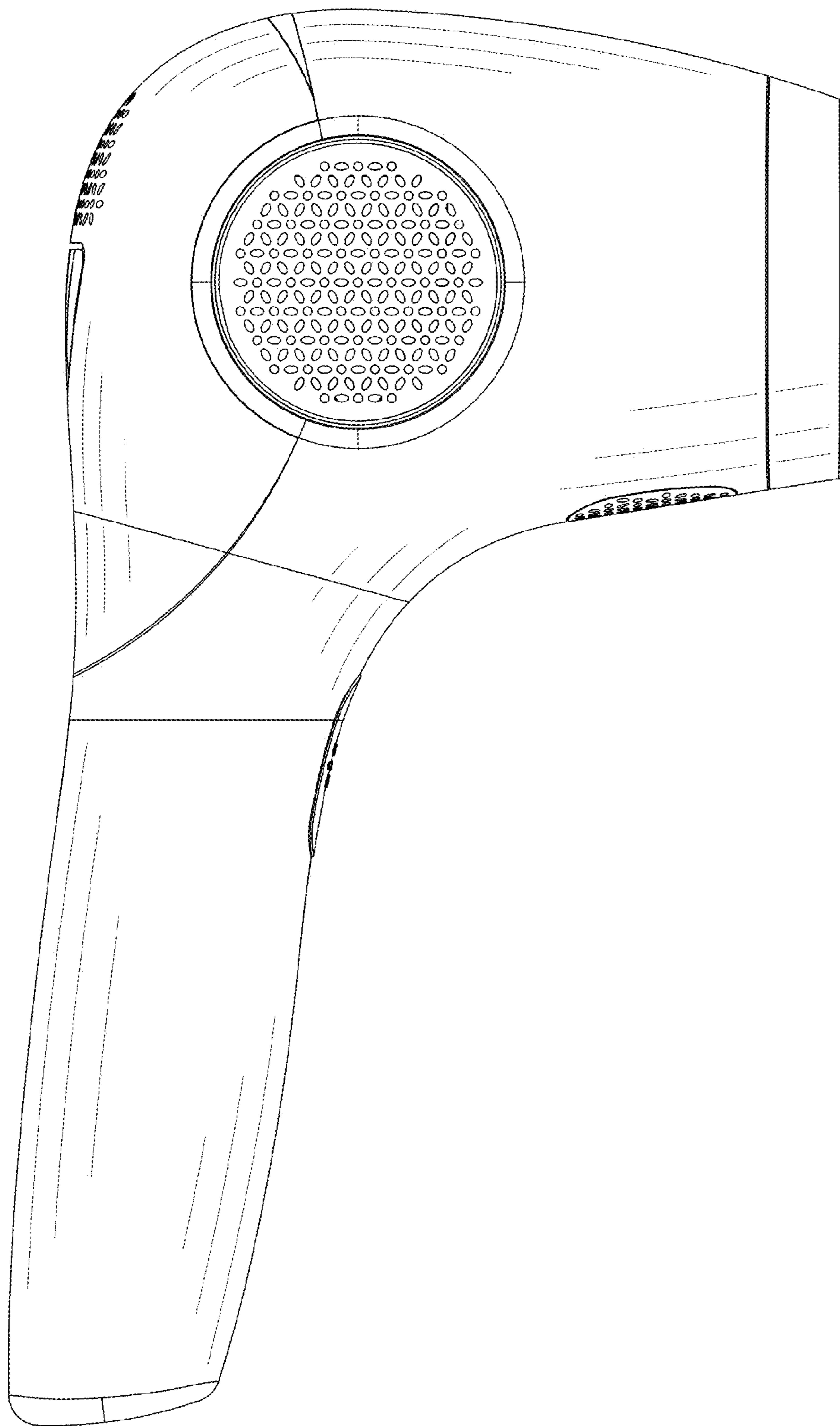


Fig. 3

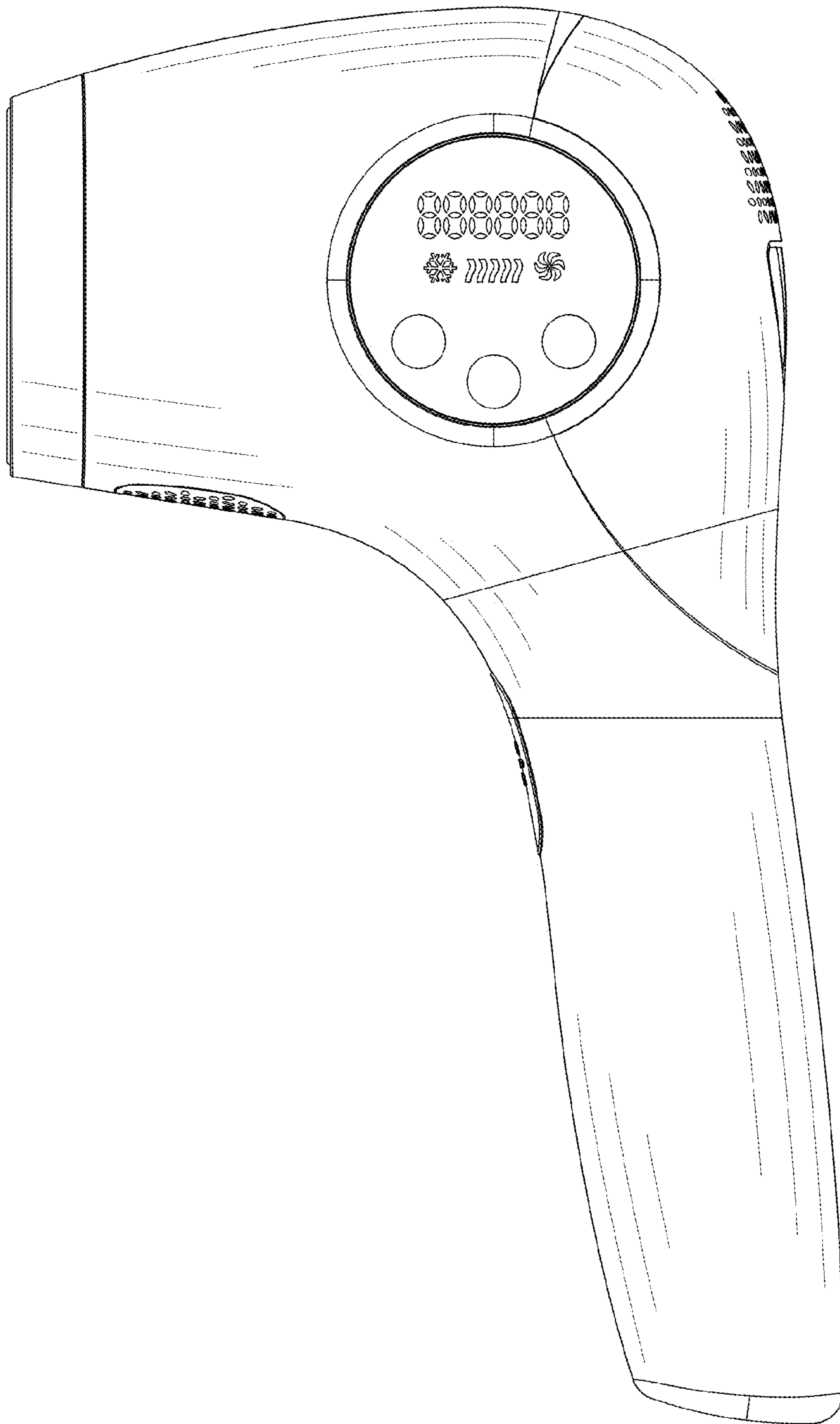


Fig.4



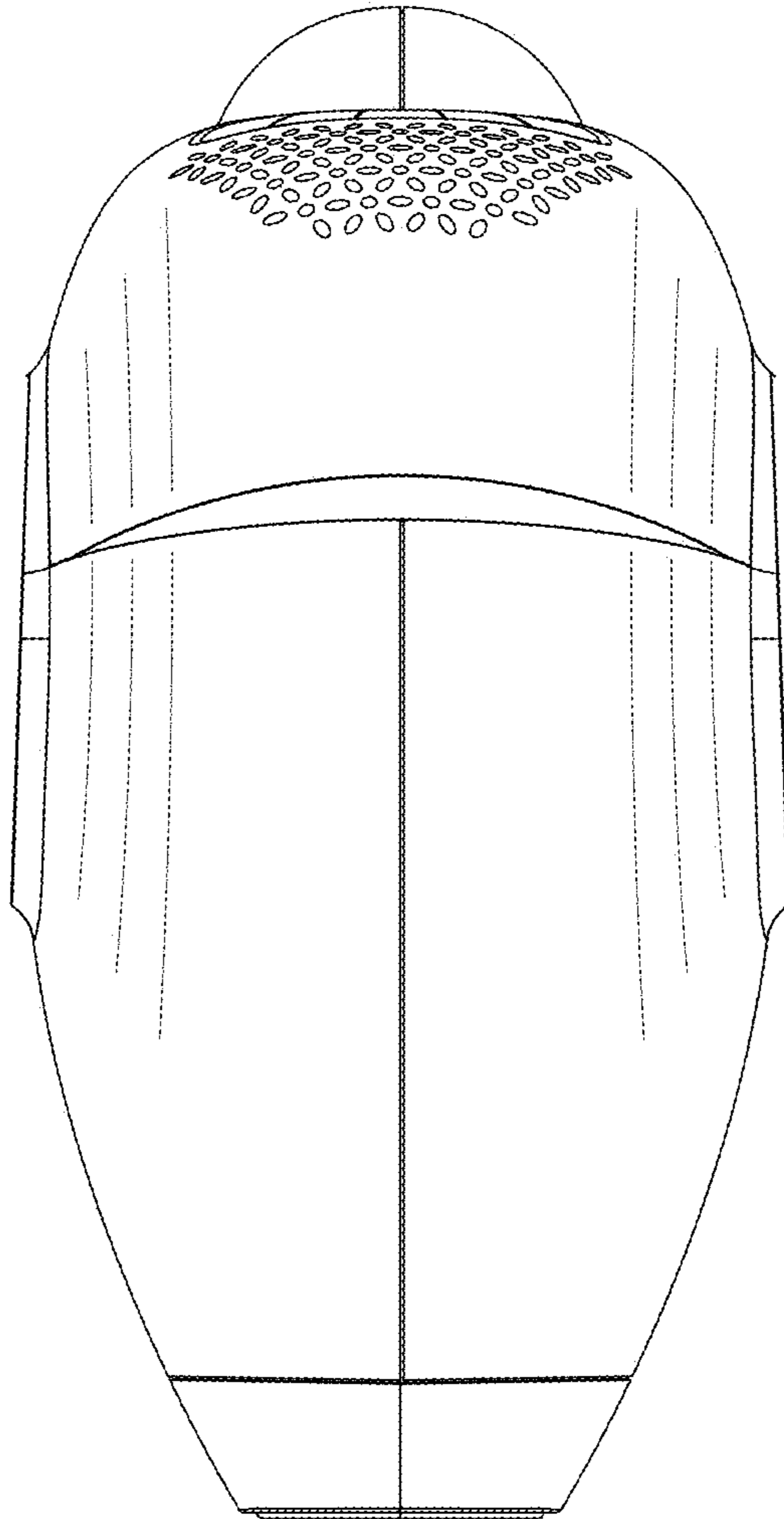


Fig. 5

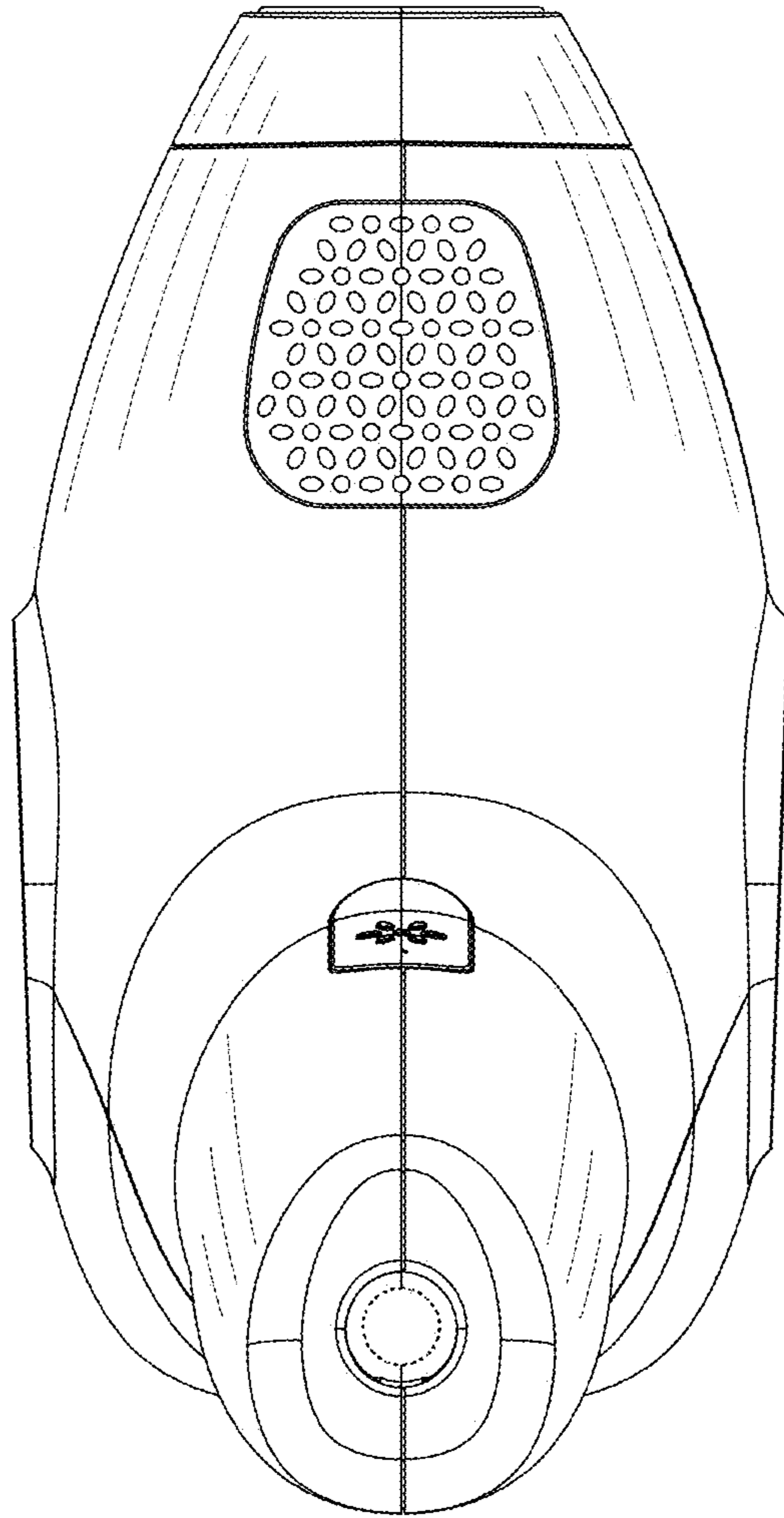


Fig. 6

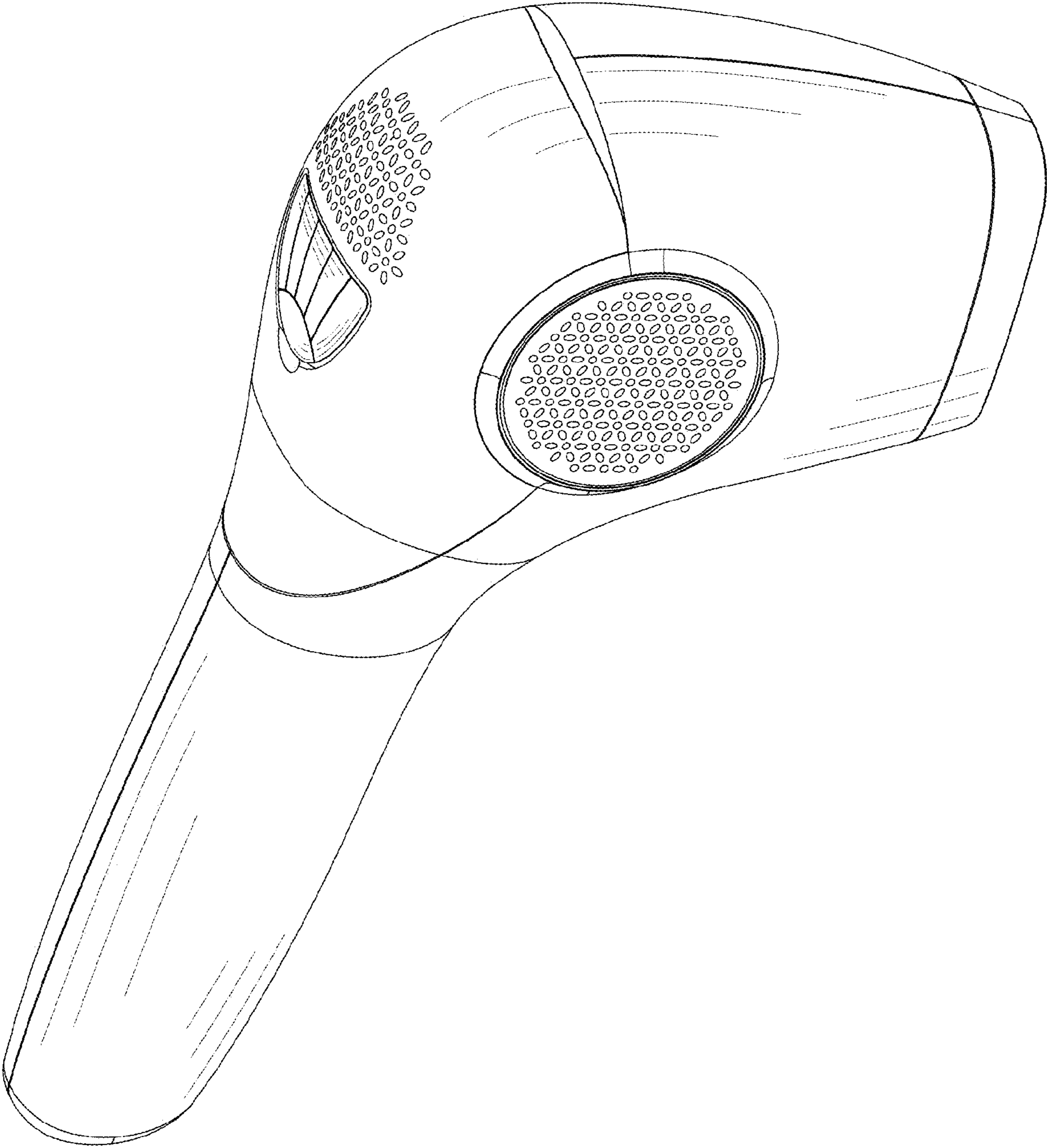


Fig. 7