



US00D895206S

(12) **United States Design Patent**
Huang

(10) **Patent No.:** **US D895,206 S**

(45) **Date of Patent:** **** Sep. 1, 2020**

(54) **EPILATOR**

(71) Applicant: **Shenzhen Bosidi Technology Co., Ltd.**, Shenzhen (CN)

(72) Inventor: **Guoli Huang**, Fujian (CN)

(**) Term: **15 Years**

(21) Appl. No.: **29/685,167**

(22) Filed: **Mar. 27, 2019**

(51) **LOC (12) Cl.** **28-03**

(52) **U.S. Cl.**
USPC **D28/44.1; D24/209**

(58) **Field of Classification Search**
USPC D28/44–44.1; D24/209, 214
CPC A61B 2018/0047; A61B 2018/0452; A61B
2018/202; A61B 2018/00476; A45D
26/0004–0009
See application file for complete search history.

(56) **References Cited**

U.S. PATENT DOCUMENTS

- D535,746 S * 1/2007 Grove D28/44.1
- D589,650 S * 3/2009 Adriaenssen D28/44.1
- D706,980 S * 6/2014 Tasar D24/209

- D808,076 S * 1/2018 Gabriele D28/44.1
- D827,929 S * 9/2018 Mathieu D28/44
- D843,656 S * 3/2019 Zhang D28/44.1
- D844,896 S * 4/2019 Levi D28/44.1
- D863,578 S * 10/2019 Yan D24/209
- D865,288 S * 10/2019 Huang D28/44.1
- D865,289 S * 10/2019 Huang D28/44.1

* cited by examiner

Primary Examiner — Jennifer Rivard

(74) *Attorney, Agent, or Firm* — Prakash Nama; Global IP Services, PLLC

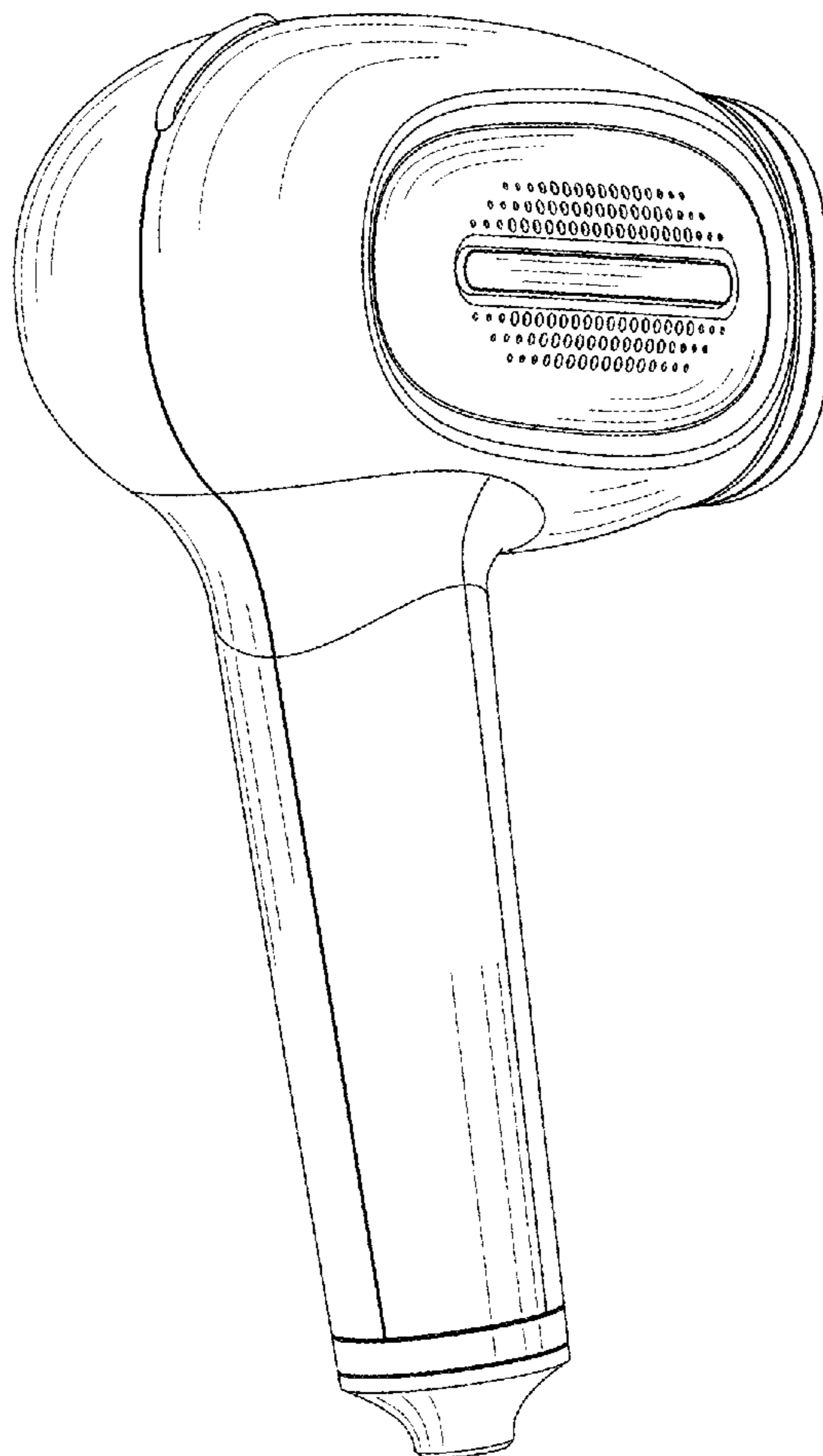
(57) **CLAIM**

The ornamental design for an epilator, as shown and described.

DESCRIPTION

FIG. 1 is a front elevational view of an epilator showing my new design;
 FIG. 2 is a rear elevational view thereof;
 FIG. 3 is a left side view thereof;
 FIG. 4 is a right side view thereof;
 FIG. 5 is a top plan view thereof;
 FIG. 6 is a bottom plan view thereof; and,
 FIG. 7 is a perspective view thereof.
 The broken lines illustrate portions of the epilator and form no part of the claimed design.

1 Claim, 5 Drawing Sheets



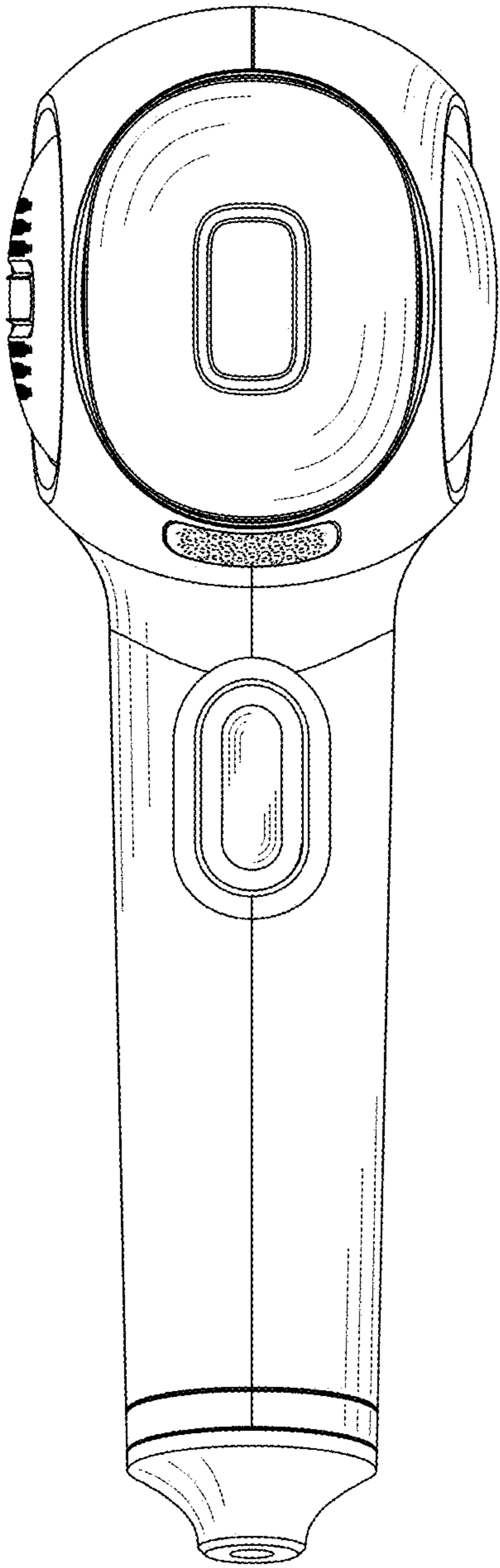


Fig.1

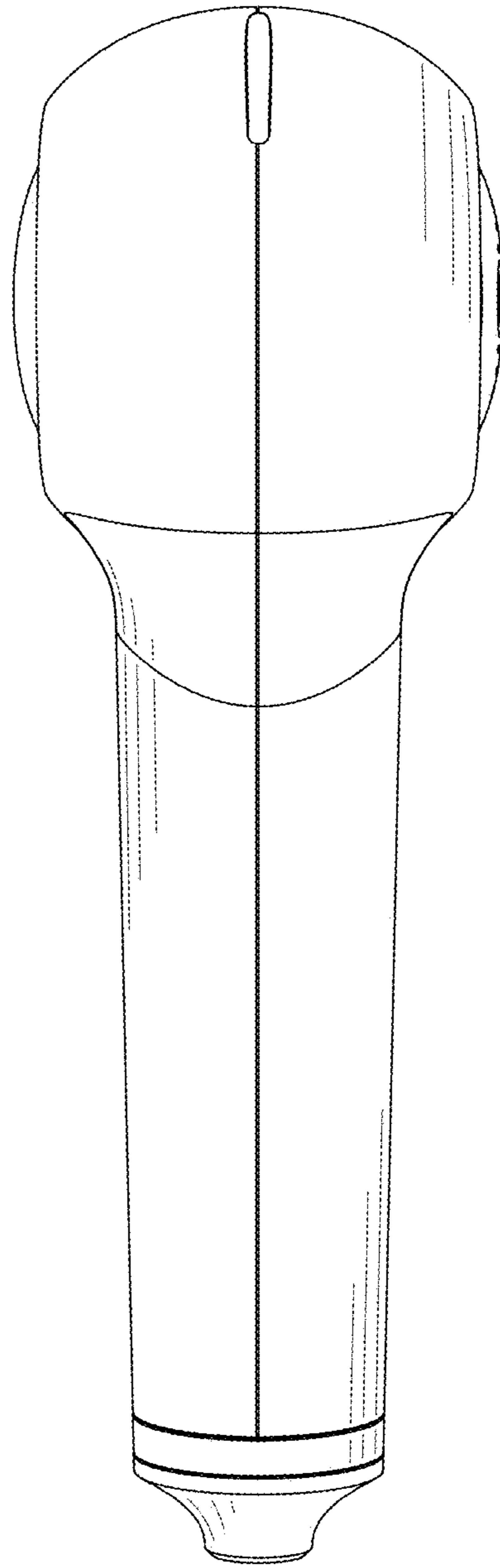


Fig.2

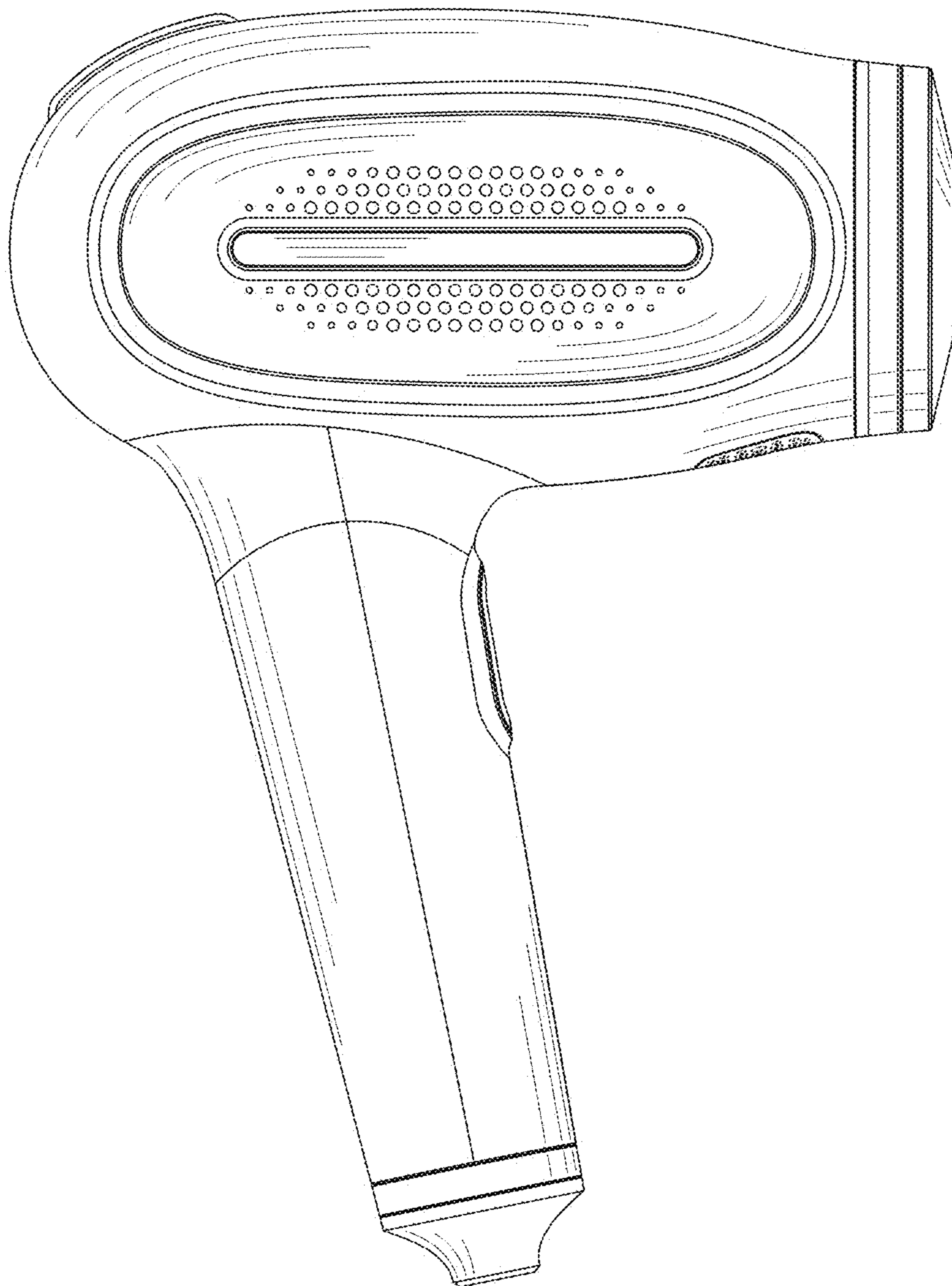


Fig.3

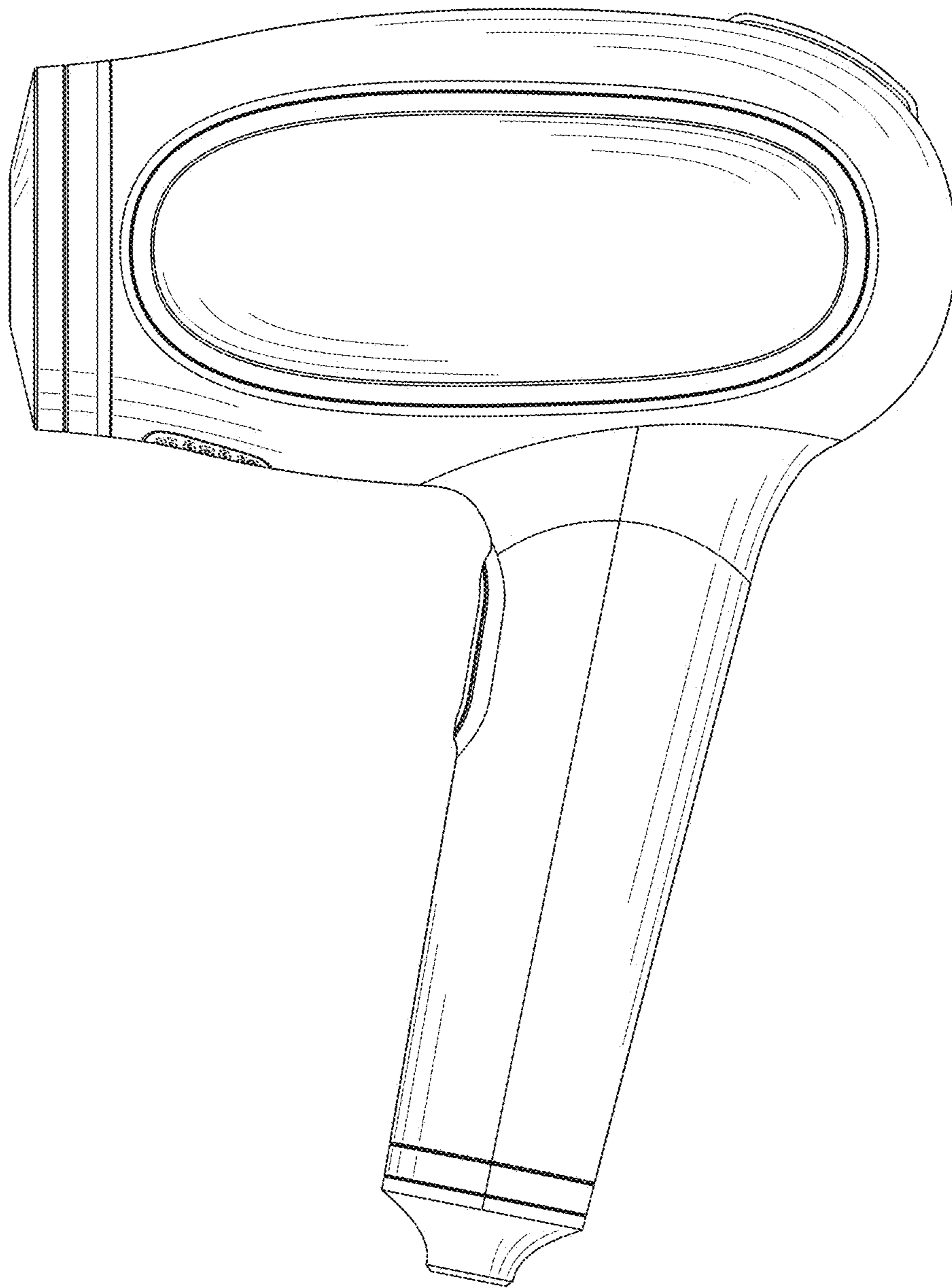


Fig.4

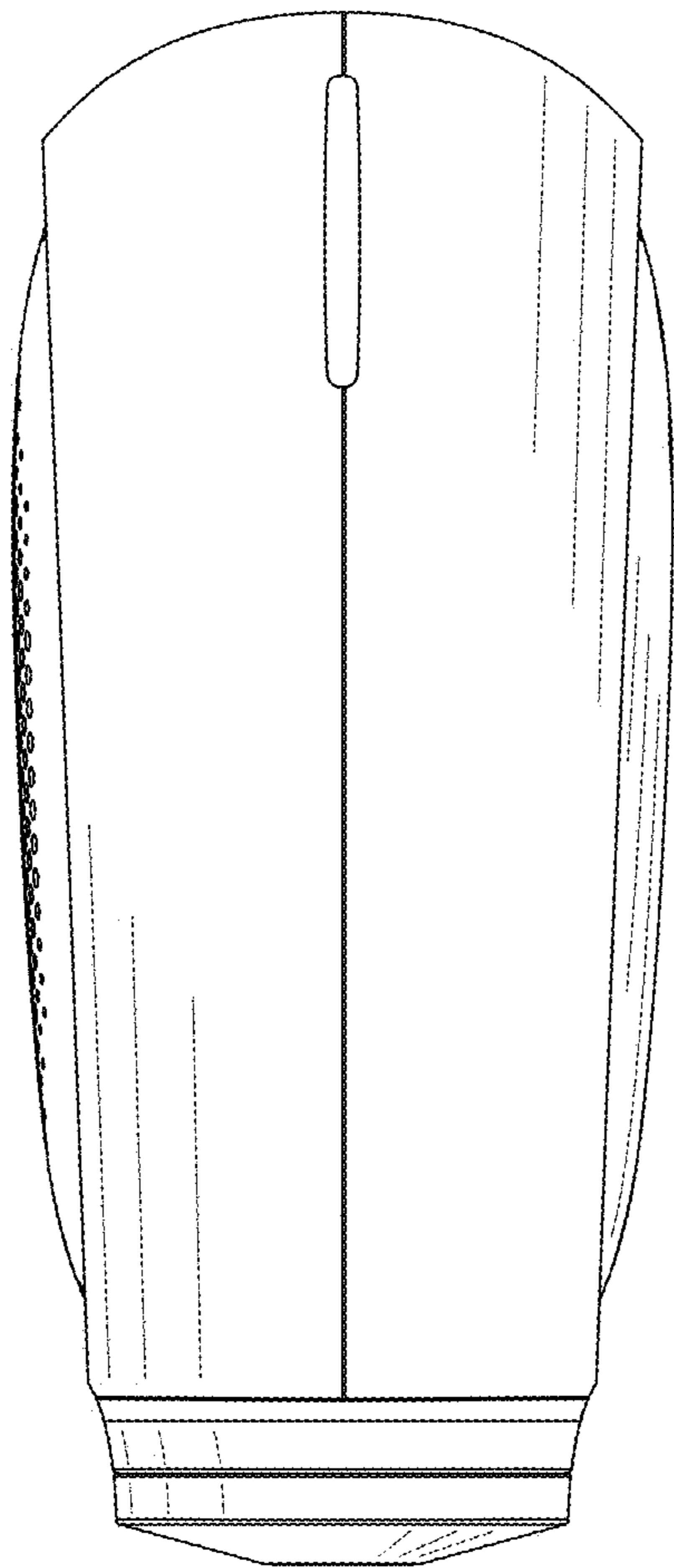


Fig.5

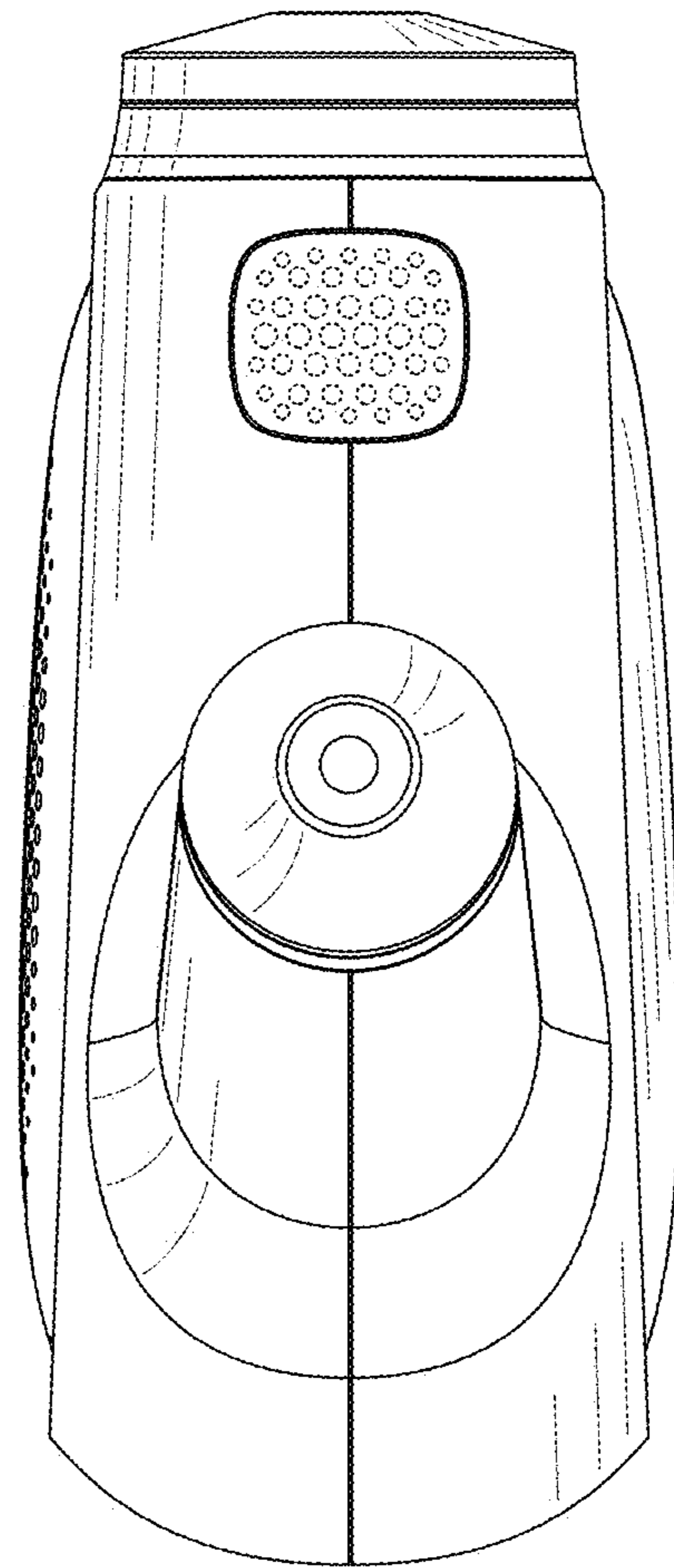


Fig.6

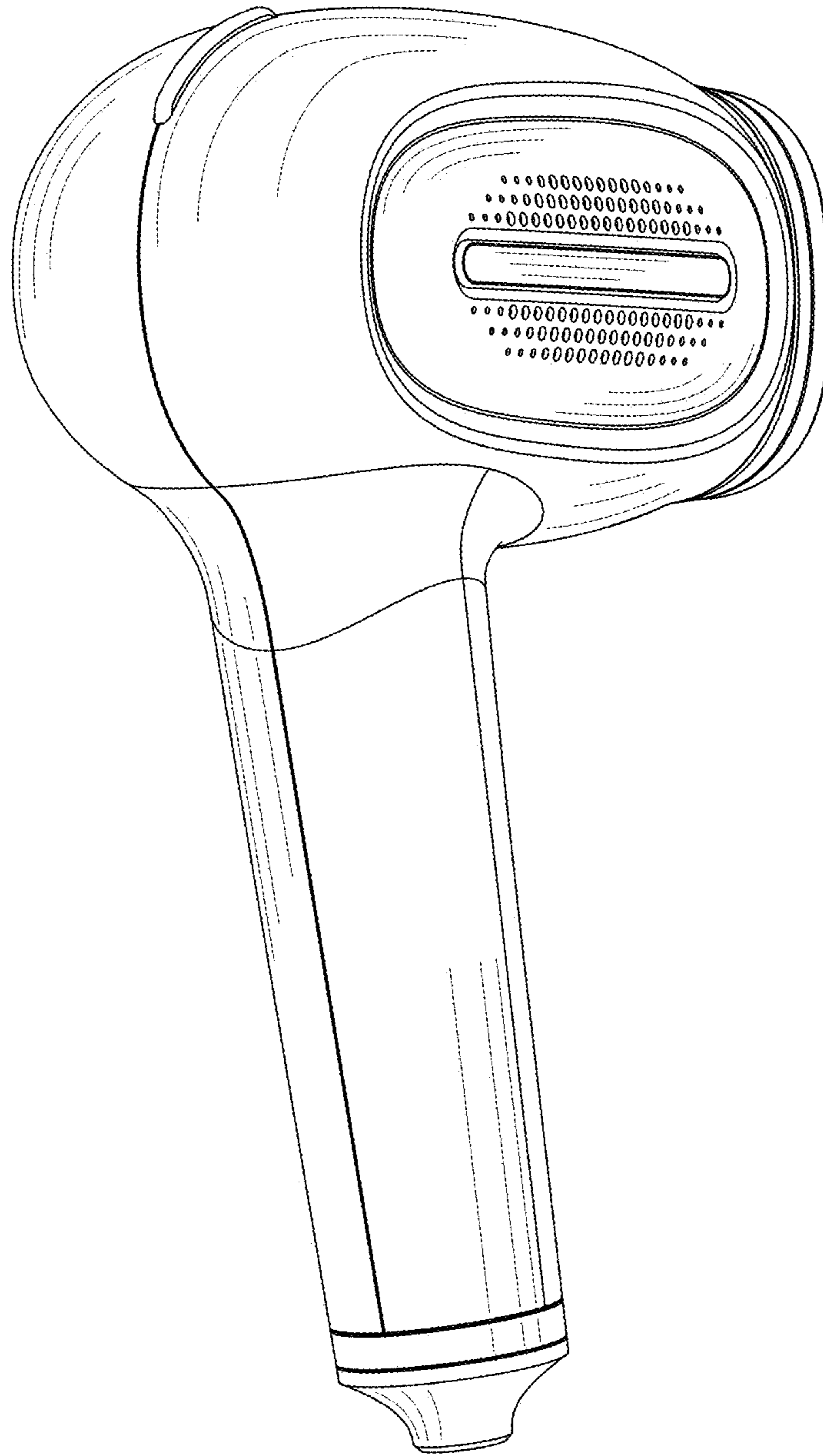


Fig.7