



US00D895205S

(12) **United States Design Patent**
Iwegbu

(10) **Patent No.:** **US D895,205 S**
(45) **Date of Patent:** **** Sep. 1, 2020**

- (54) **HAIR ROLLER**
- (71) Applicant: **Natasha Iwegbu**, Washington, DC (US)
- (72) Inventor: **Natasha Iwegbu**, Washington, DC (US)
- (**) Term: **15 Years**
- (21) Appl. No.: **29/649,483**
- (22) Filed: **May 30, 2018**
- (51) **LOC (12) Cl.** **28-03**
- (52) **U.S. Cl.**
USPC **D28/37**
- (58) **Field of Classification Search**
USPC D28/10, 35, 37, 38
CPC A45D 1/00-1; A45D 1/04; A45D 2/00;
A45D 2/02; A45D 4/00; A45D 8/00;
A45D 2/14; A45D 2/18; A45D 2/20;
A45D 2/125; A45D 2/145; A45D 2/2464;
A45D 2/2471; A45D 7/02; A45D 8/40;
A45D 2001/045; A45D 2001/008; A45D
19/16; A45D 1/28; A45D 2/001; A45D
2/002; A45D 2/04; A45D 2/06; A45D
2/08; A45D 2/10; A45D 2/12-22; A45D
2/24-34; A45D 2/36-367
See application file for complete search history.

- (56) **References Cited**
U.S. PATENT DOCUMENTS
- 2,152,673 A * 4/1939 Solomon A45D 8/38
132/246
- 2,542,601 A * 2/1951 Van Cleef A45D 2/18
132/246
- 4,540,006 A * 9/1985 Collis A45D 2/18
132/246
- D284,117 S * 6/1986 Collis D28/37
- 4,648,414 A * 3/1987 Fox A45D 8/34
132/246
- 5,025,816 A * 6/1991 Jones A45D 2/20
132/245

- 5,771,907 A * 6/1998 Dickson A45D 2/18
132/247
- 5,913,316 A * 6/1999 Chou A45D 8/00
132/273
- 5,970,991 A * 10/1999 Srivastava A45D 8/34
132/200
- D609,856 S * 2/2010 Cotroneo D28/35
- D742,068 S * 10/2015 Stensby D28/37
- D841,884 S * 2/2019 Siu D28/37
- 2006/0042649 A1 * 3/2006 Anzevino A45D 2/362
132/247

(Continued)

OTHER PUBLICATIONS

WrapCurl Instagram photos and videos, photo posted Jun. 2, 2018, retrieved on Mar. 24, 2019, retrieved from the Internet URL: <https://www.instagram.com/p/Bjh7B6KBfi5/>.*

Primary Examiner — Jennifer Rivard
Assistant Examiner — Alison M Ofstun

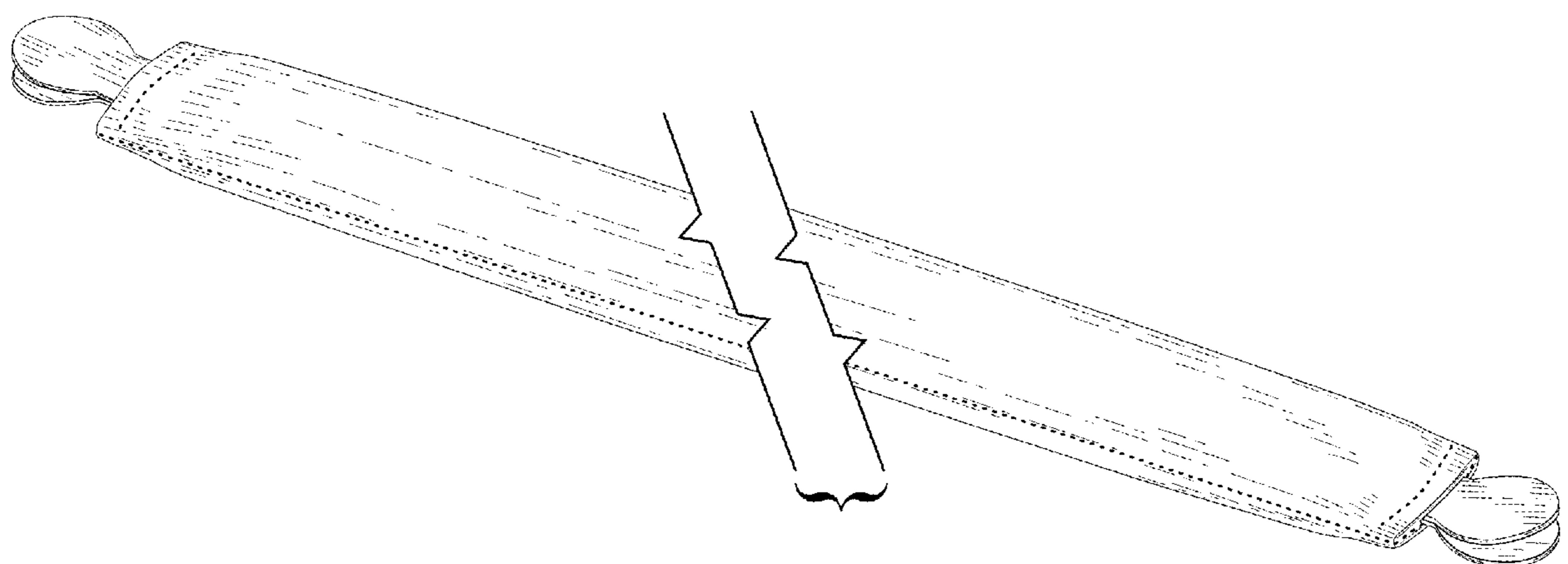
(57) **CLAIM**

The ornamental design for a hair roller, as shown and described.

DESCRIPTION

FIG. 1 is a right side view of a hair roller showing my new design, the left side view being a mirror image thereof; FIG. 2 is a top view thereof, the bottom view being a mirror image thereof; FIG. 3 is a front view thereof, the back view being a mirror image thereof; and, FIG. 4 is a top perspective view thereof. The broken lines shown in the figures are used to illustrate stitching that forms no part of the claimed design. The article is shown with a symbolic break in length. The appearance of any portion of the article between the break lines forms no part of the claimed design.

1 Claim, 4 Drawing Sheets



(56)

References Cited

U.S. PATENT DOCUMENTS

2007/0151574 A1* 7/2007 Orth A45D 2/18
132/210

* cited by examiner

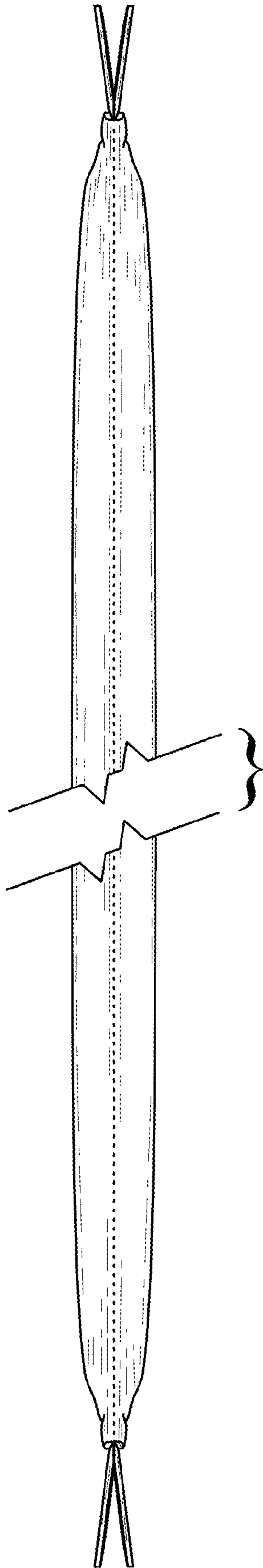


FIG. 1

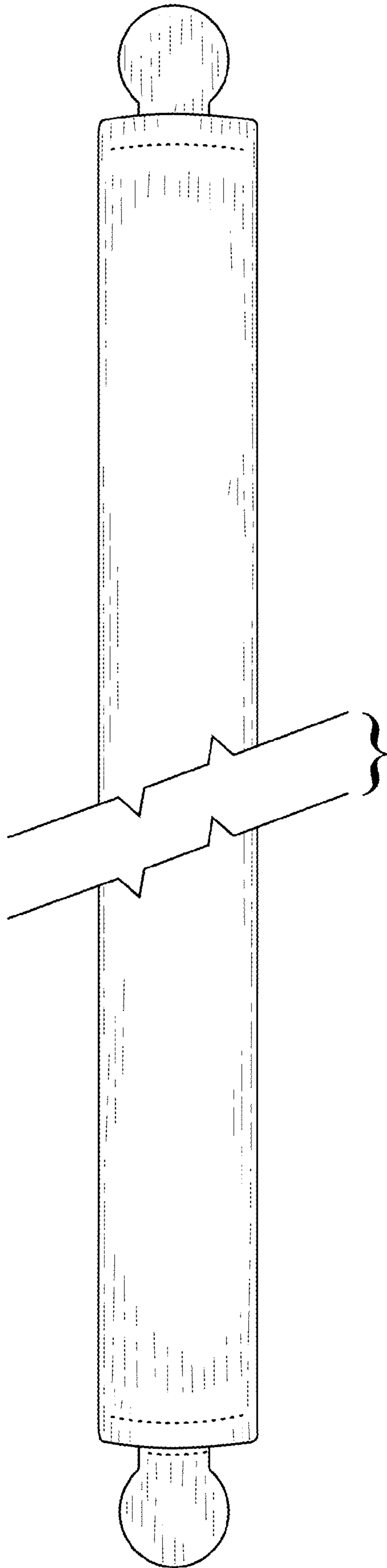


FIG. 2

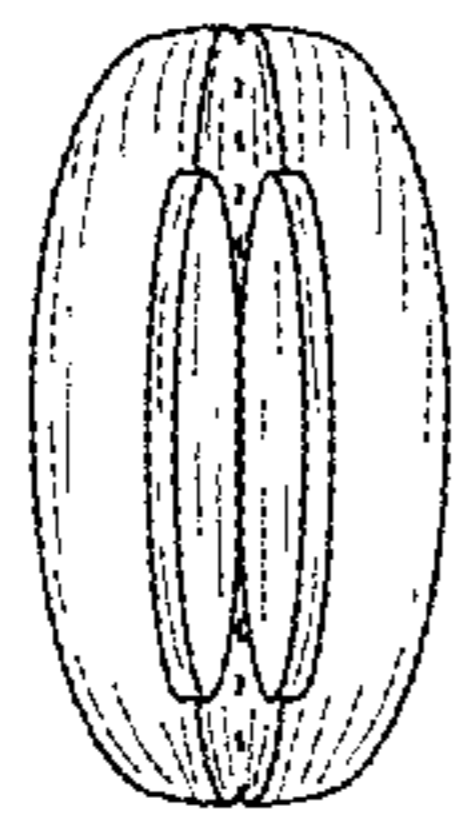


FIG. 3

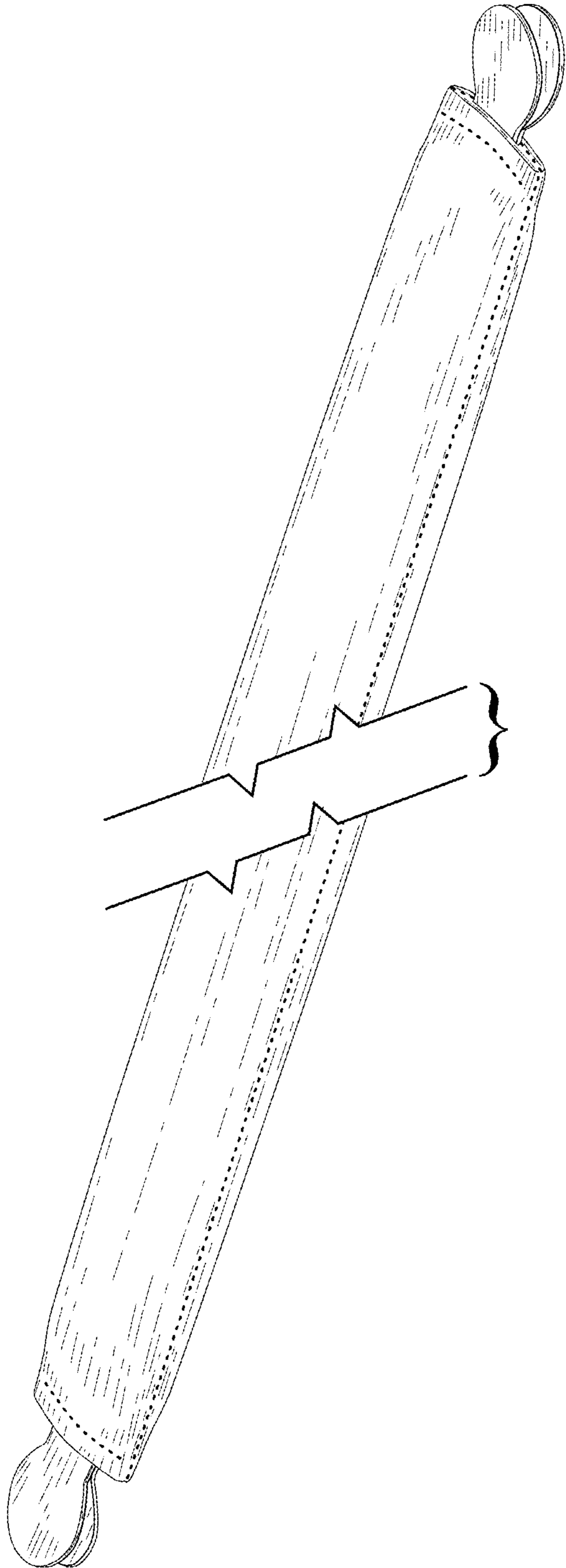


FIG.4