



US00D895204S

(12) **United States Design Patent**
Medearis

(10) **Patent No.:** **US D895,204 S**

(45) **Date of Patent:** **** Sep. 1, 2020**

(54) **CARTRIDGE HAIR DYE DISPENSER WITH BRUSH**

(71) Applicant: **Austin Medearis**, Brooklyn, NY (US)

(72) Inventor: **Austin Medearis**, Brooklyn, NY (US)

(**) Term: **15 Years**

(21) Appl. No.: **29/596,361**

(22) Filed: **Mar. 7, 2017**

(51) **LOC (12) Cl.** **28-03**

(52) **U.S. Cl.**

USPC **D28/20; D4/114**

(58) **Field of Classification Search**

USPC D28/4, 5, 7, 8, 9, 10, 63, 91.1, 11, 12,
D28/20, 21, 25, 30, 31; D4/100-102,
D4/104, 109, 114, 116-117, 136, 108

CPC A45D 19/02; A45D 19/0008; A45D 24/22;
A46B 11/00; A46B 11/0079; A46B
11/0013; A46B 9/00; A46B 9/023; A46B
5/00

See application file for complete search history.

(56) **References Cited**

U.S. PATENT DOCUMENTS

798,407	A *	8/1905	Frost	A45D 19/02 132/114
4,860,775	A *	8/1989	Reeves	A45D 20/48 132/118
D354,592	S *	1/1995	Powers	D32/17
D366,960	S *	2/1996	Crimi	D4/104
D426,028	S *	5/2000	Garofano	D28/7
D451,244	S *	11/2001	Chen	D28/20
D457,730	S *	5/2002	McCurrach	D28/10
D459,027	S *	6/2002	Chen	D28/22

6,457,476 B1 * 10/2002 Elmer A45D 19/02
132/114

7,322,363 B1 * 1/2008 Dillard A45D 24/26
132/112

D580,173 S * 11/2008 Beedham D4/101

D661,099 S * 6/2012 Nanda D4/104

D718,497 S * 11/2014 Sole D28/25

OTHER PUBLICATIONS

Amazon, Hair Dye Bottle Dispensing Applicator, posted Aug. 9, 2016, [online], [site visited Oct. 4, 2018]. Available from Internet, <URL: <https://www.amazon.co.uk/Hair-Bottle-Dispensing-Applicator-Brush/dp/B00073UHVM>> (Year: 2016).*

Amazon, Kao Blaune Hair Root Color, posted May 22, 2014, [online], [site visited Oct. 4, 2018]. Available from Internet, <URL: <https://www.amazon.co.uk/Blaune-Hair-Root-Color-Brown/dp/B002TV3HGC>> (Year: 2014).*

* cited by examiner

Primary Examiner — Sheryl Lane

Assistant Examiner — Samantha N Wood

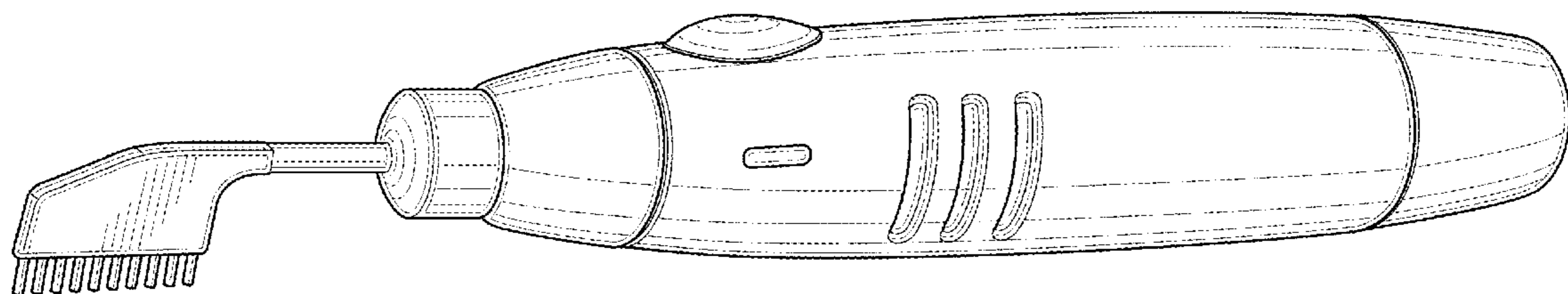
(57) **CLAIM**

The ornamental design for a cartridge hair dye dispenser with brush, as shown and described.

DESCRIPTION

FIG. 1 is a perspective view of the cartridge hair dye dispenser with brush showing my new design;
FIG. 2 is a right side view thereof;
FIG. 3 is a left side view thereof;
FIG. 4 is a top plan view thereof;
FIG. 5 is a bottom plan view thereof;
FIG. 6 is a front elevation view thereof; and,
FIG. 7 is a rear elevation view thereof.

1 Claim, 4 Drawing Sheets



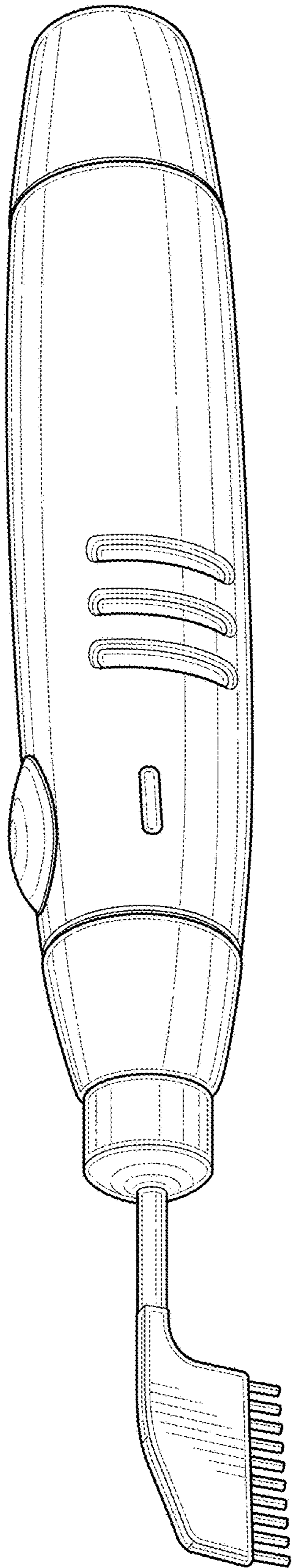


FIG. 1

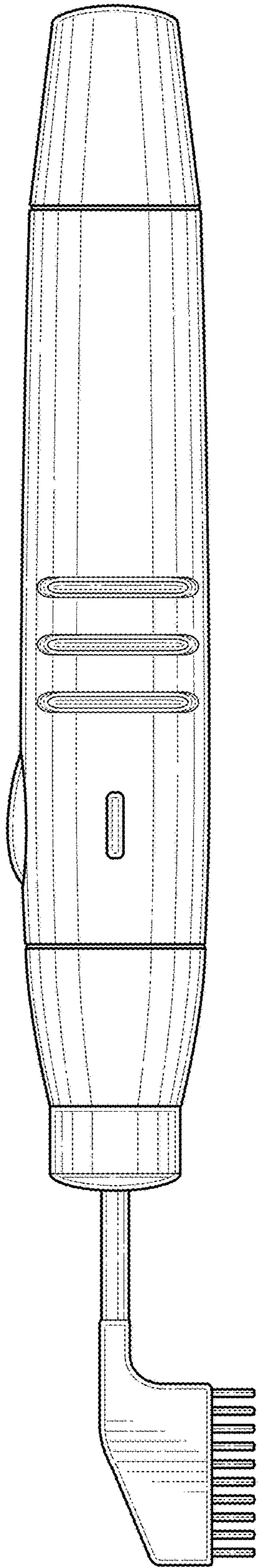


FIG. 2

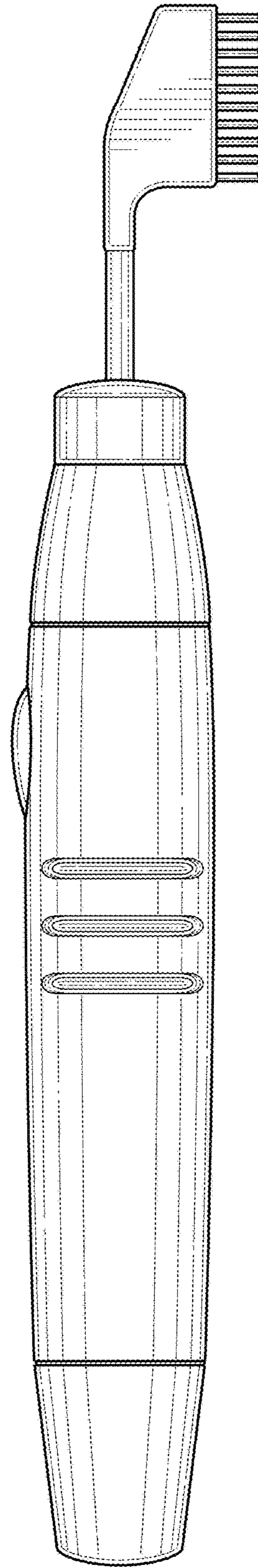


FIG. 3

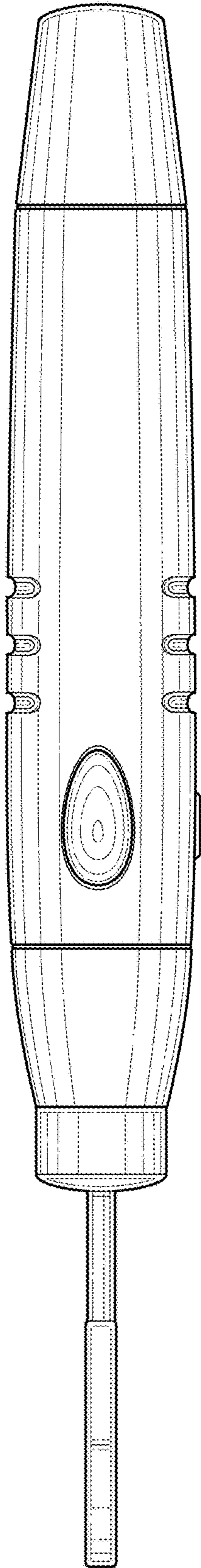


FIG. 4

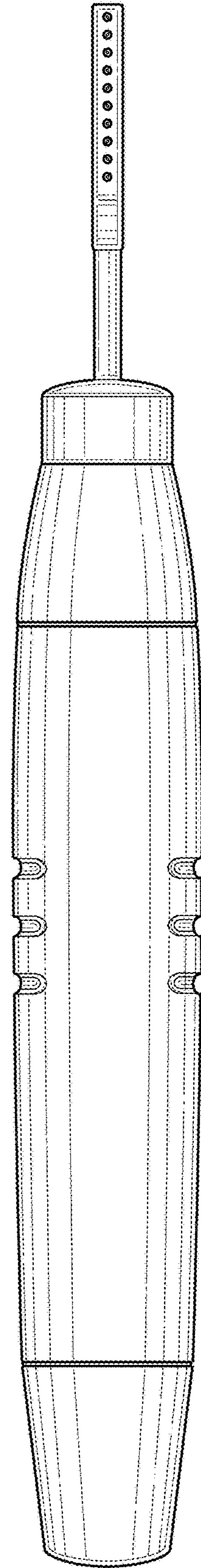


FIG. 5

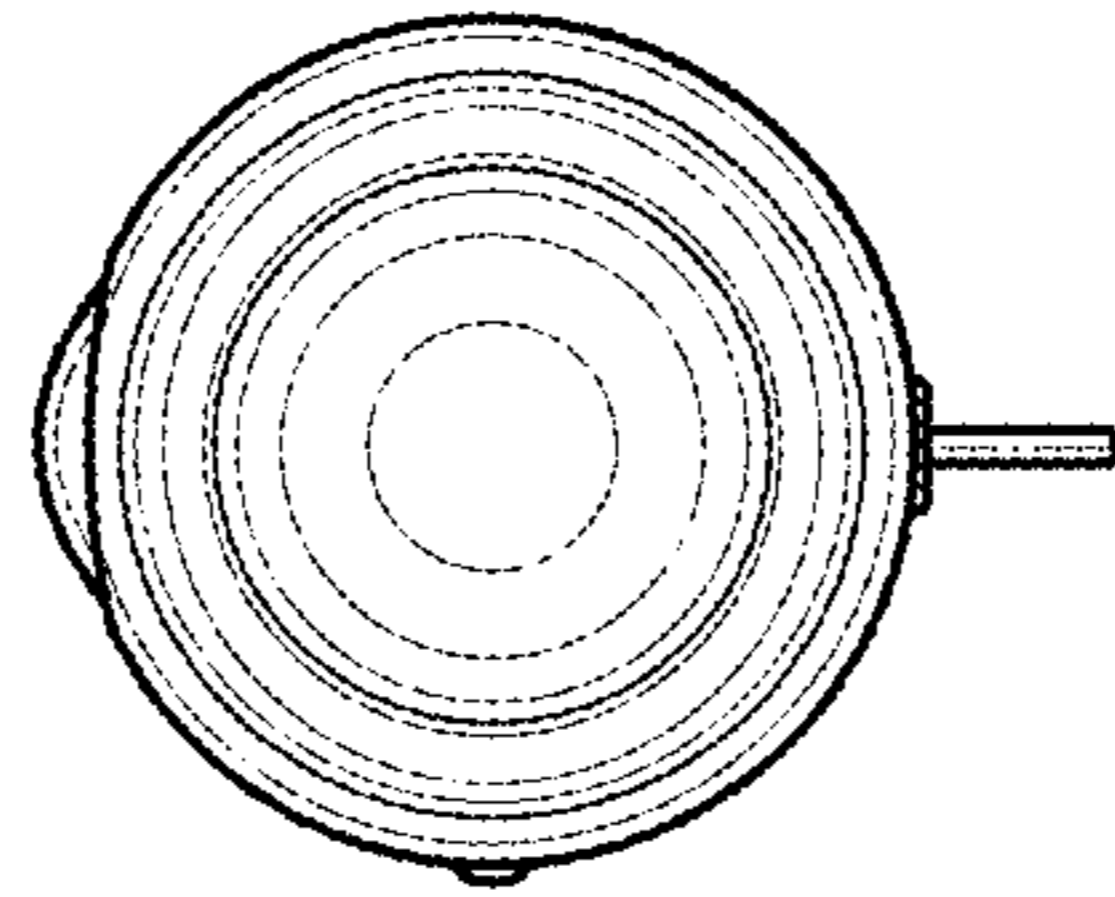


FIG. 7

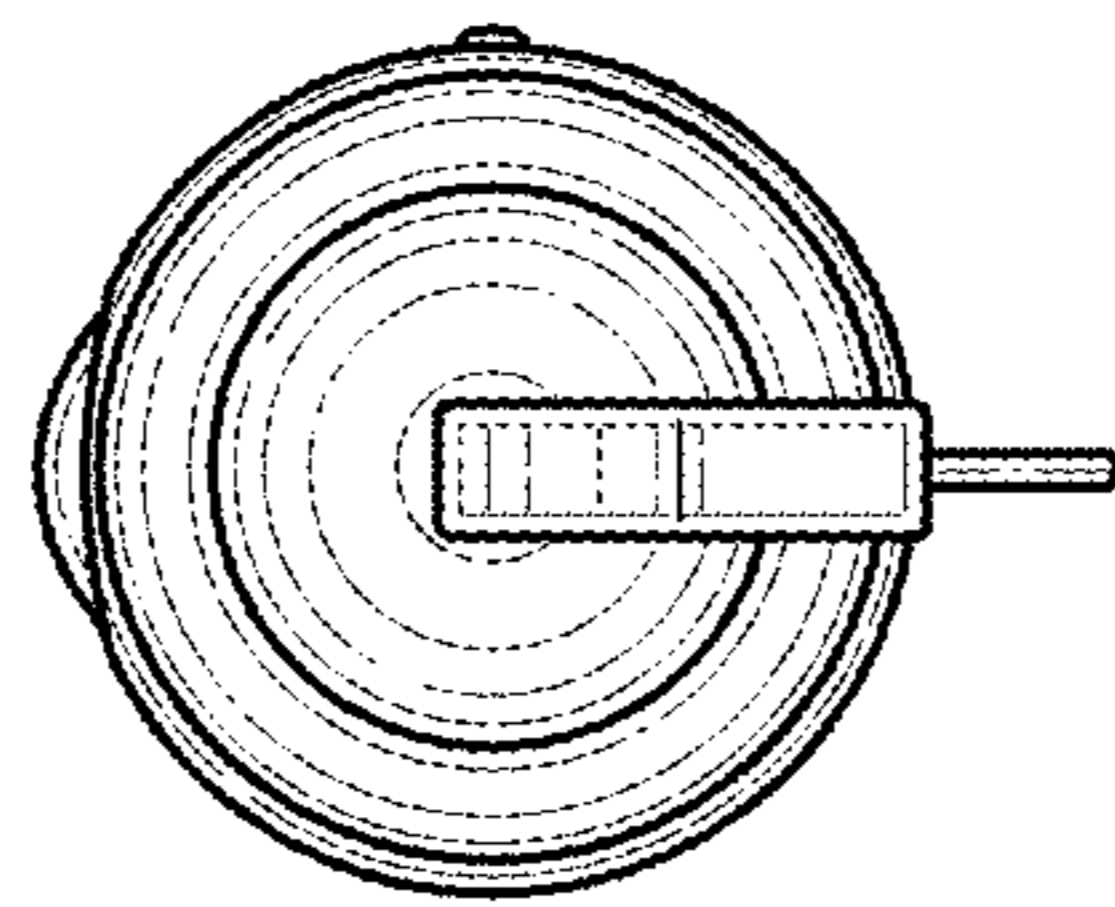


FIG. 6