



US00D895200S

(12) **United States Design Patent** (10) **Patent No.:** **US D895,200 S**
Wu (45) **Date of Patent:** **** Sep. 1, 2020**

(54) **ELECTRONIC CIGARETTE CASE**
(71) Applicant: **Jiahao Wu**, Guangdong (CN)
(72) Inventor: **Jiahao Wu**, Guangdong (CN)
(73) Assignee: **Guangzhou Zhuoer Electronic Technology Co., Ltd.**, Guangzhou (CN)

D751,756 S * 3/2016 Hearn D27/189
D779,726 S * 2/2017 Bennett D27/189
D834,248 S * 11/2018 Cordani D27/172
D851,829 S * 6/2019 Weigensberg D27/189
D852,183 S * 6/2019 Kim D14/250
D852,616 S * 7/2019 Thesing D9/423
D853,023 S * 7/2019 Bailey D27/189

(**) Term: **15 Years**
(21) Appl. No.: **29/672,630**
(22) Filed: **Dec. 7, 2018**
(51) **LOC (12) Cl.** **27-06**
(52) **U.S. Cl.**
USPC **D27/189**
(58) **Field of Classification Search**
USPC D27/189, 172, 174, 183, 186, 187, 194;
131/329, 257, 260
CPC A24F 15/20; A24F 15/02; A24F 15/00;
A24F 15/005
See application file for complete search history.

OTHER PUBLICATIONS

<https://www.buyv2cigs.co.uk/v2-metal-carry-case/> (Nov. 9, 2012).*

* cited by examiner

Primary Examiner — Marissa J Cash
Assistant Examiner — Rebecca Tsehaye

(57) **CLAIM**

The ornamental design for an electronic cigarette case, as shown and described.

DESCRIPTION

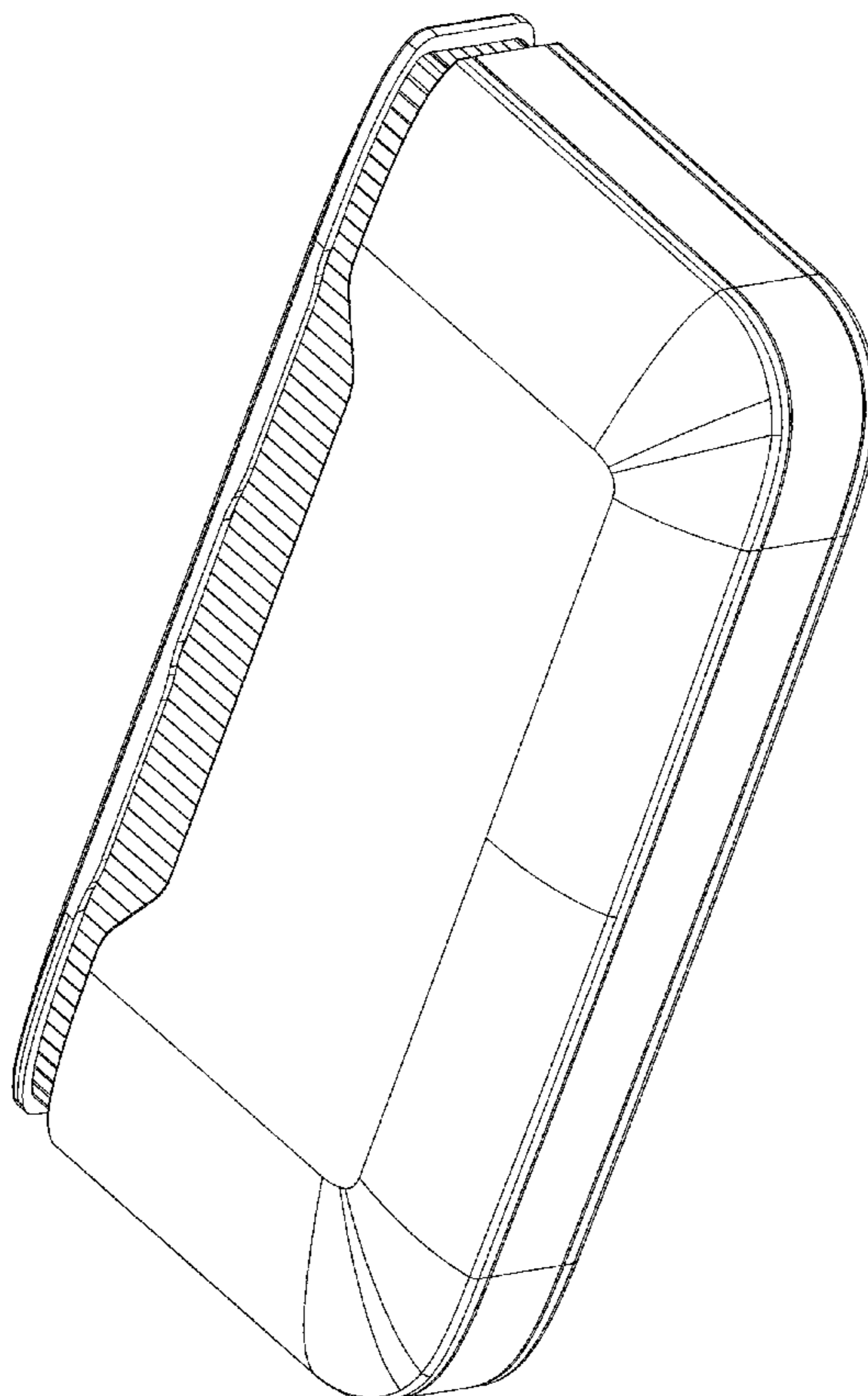
FIG. 1 is a perspective view of an electronic cigarette case showing my new design;
FIG. 2 is another perspective view thereof;
FIG. 3 is a front elevational view thereof;
FIG. 4 is a rear elevational view thereof;
FIG. 5 is a left side view thereof;
FIG. 6 is a right side view thereof;
FIG. 7 is a top plan view thereof; and,
FIG. 8 is a bottom plan view thereof.

1 Claim, 6 Drawing Sheets

(56) **References Cited**

U.S. PATENT DOCUMENTS

D374,946 S * 10/1996 Meurlin D27/183
D398,715 S * 9/1998 Descalzo D27/186
D612,094 S * 3/2010 Bellamah D27/189
D626,688 S * 11/2010 Gibson D27/183
D723,736 S * 3/2015 Liu D27/189



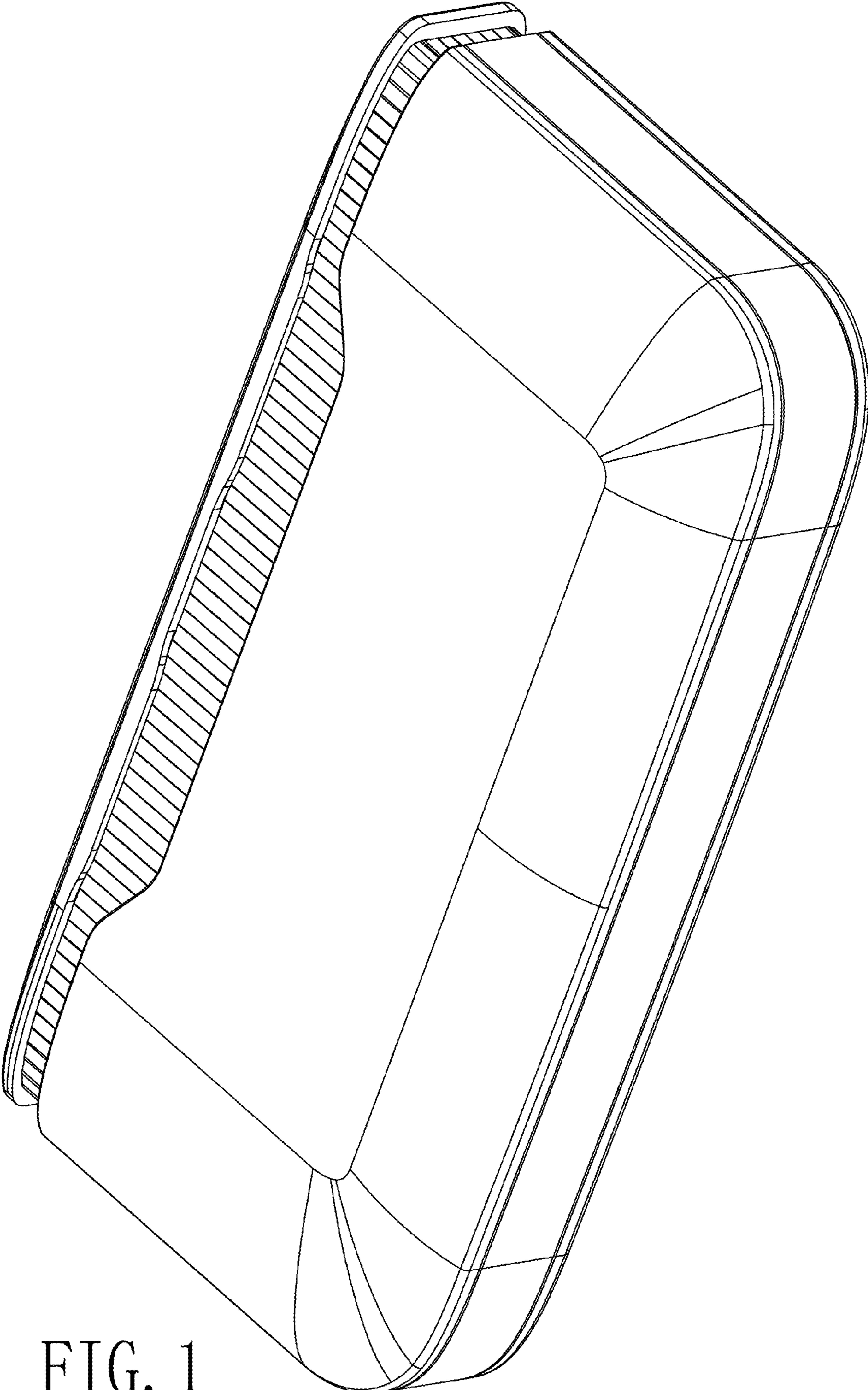
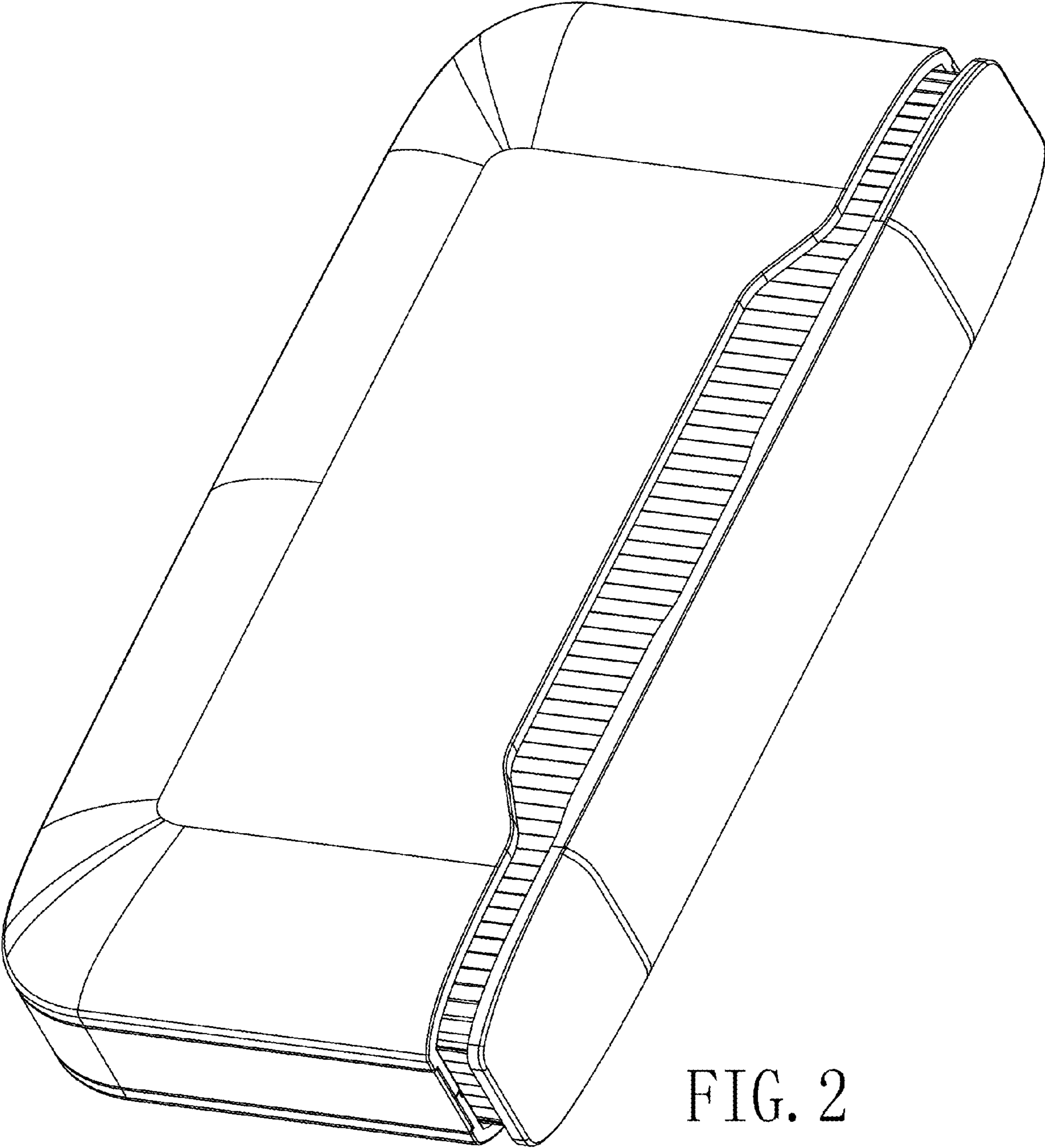


FIG. 1



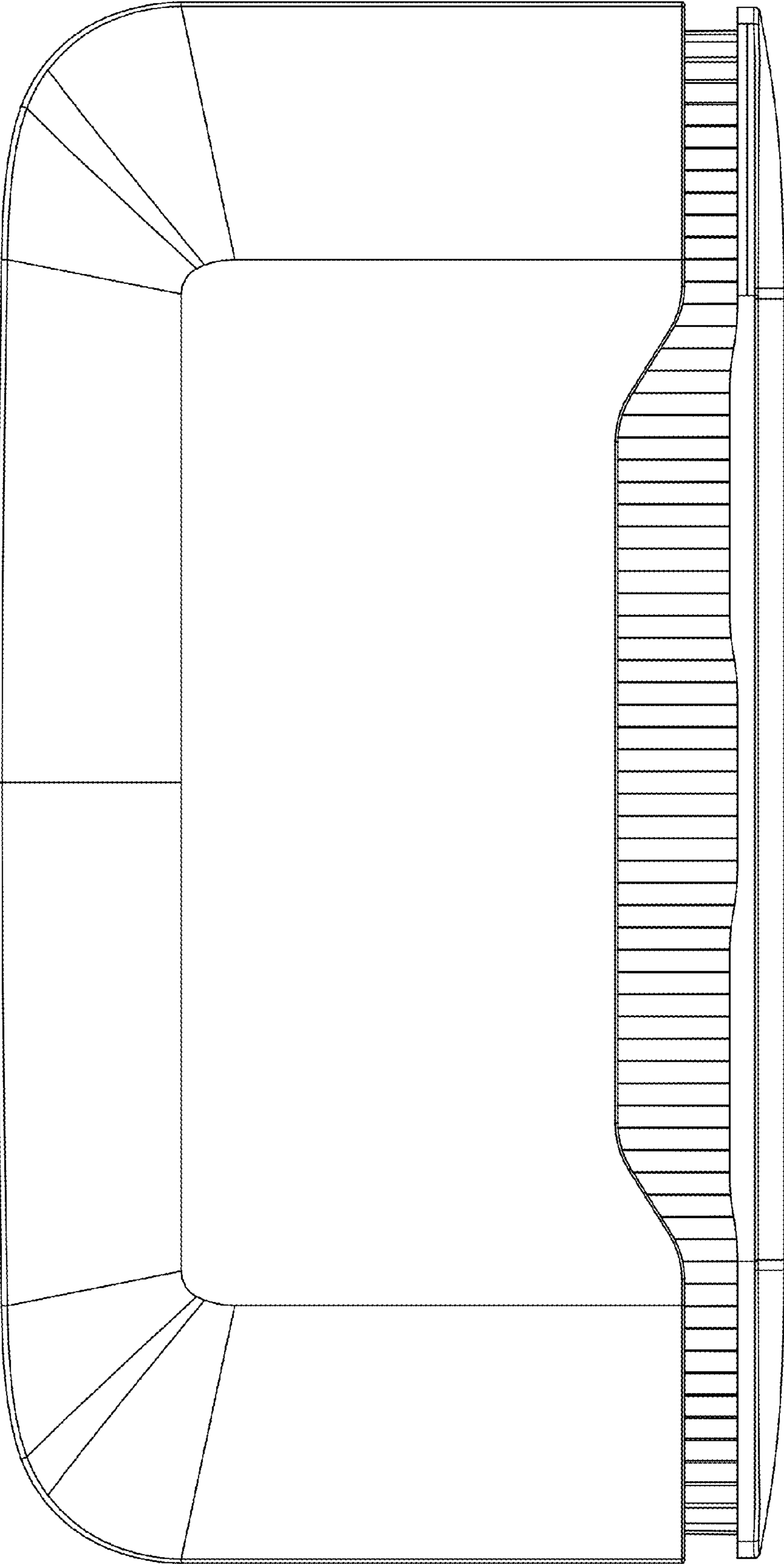


FIG. 3

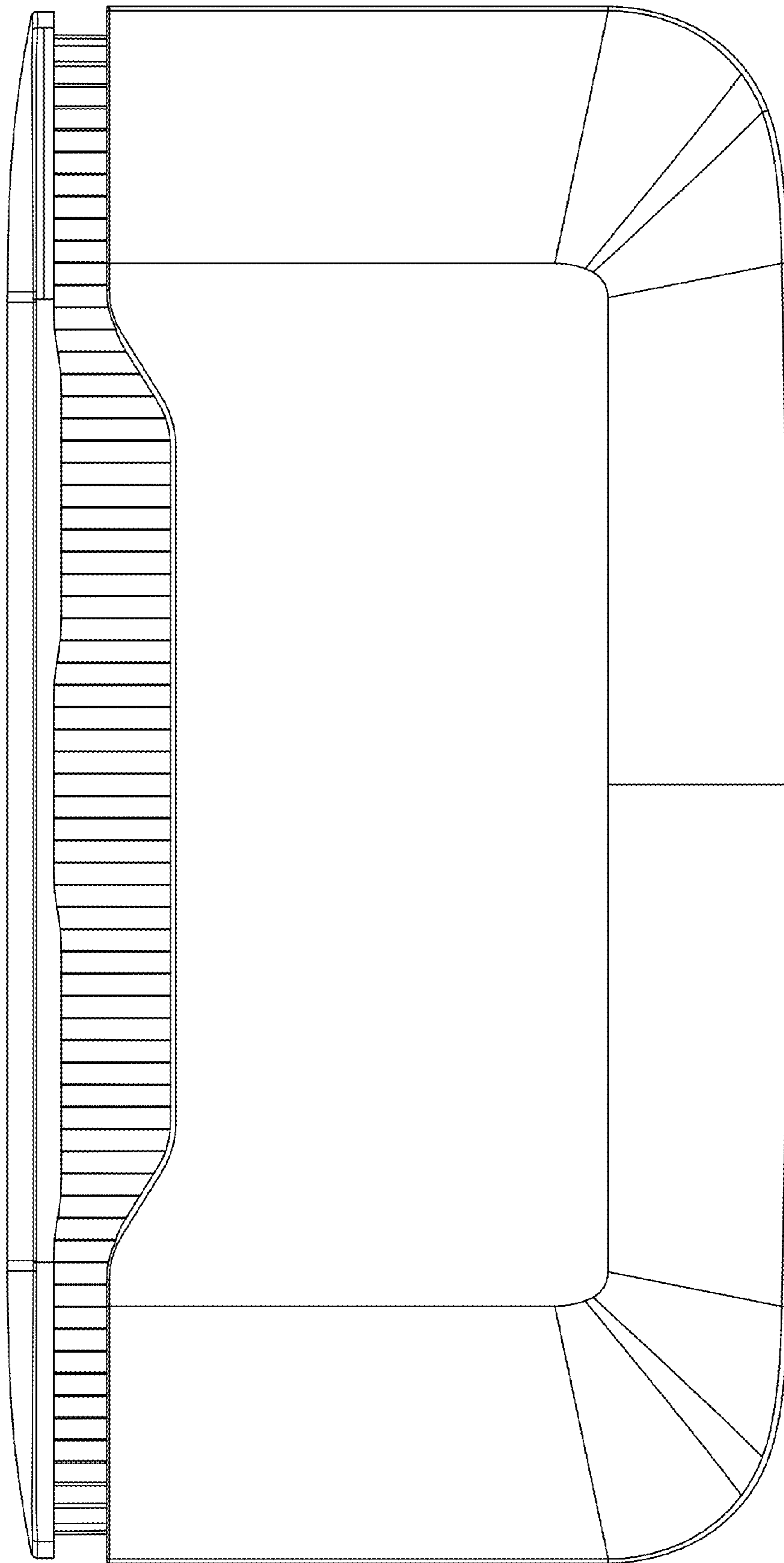


FIG. 4

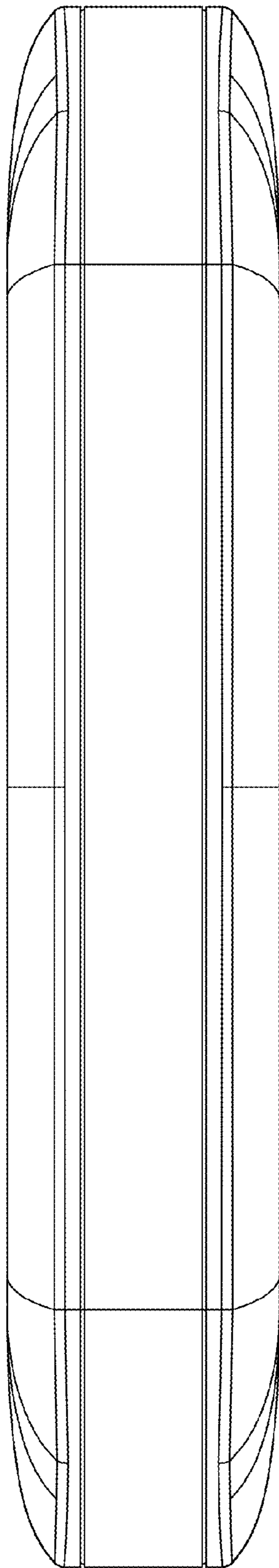


FIG. 5

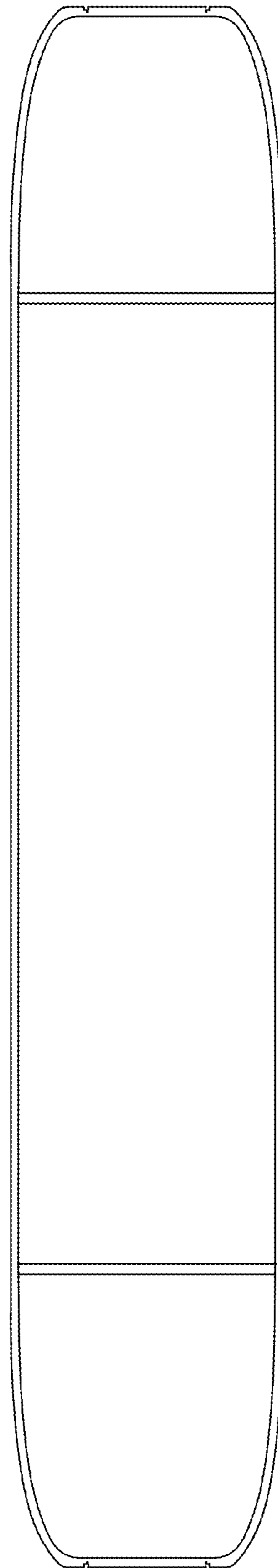


FIG. 6

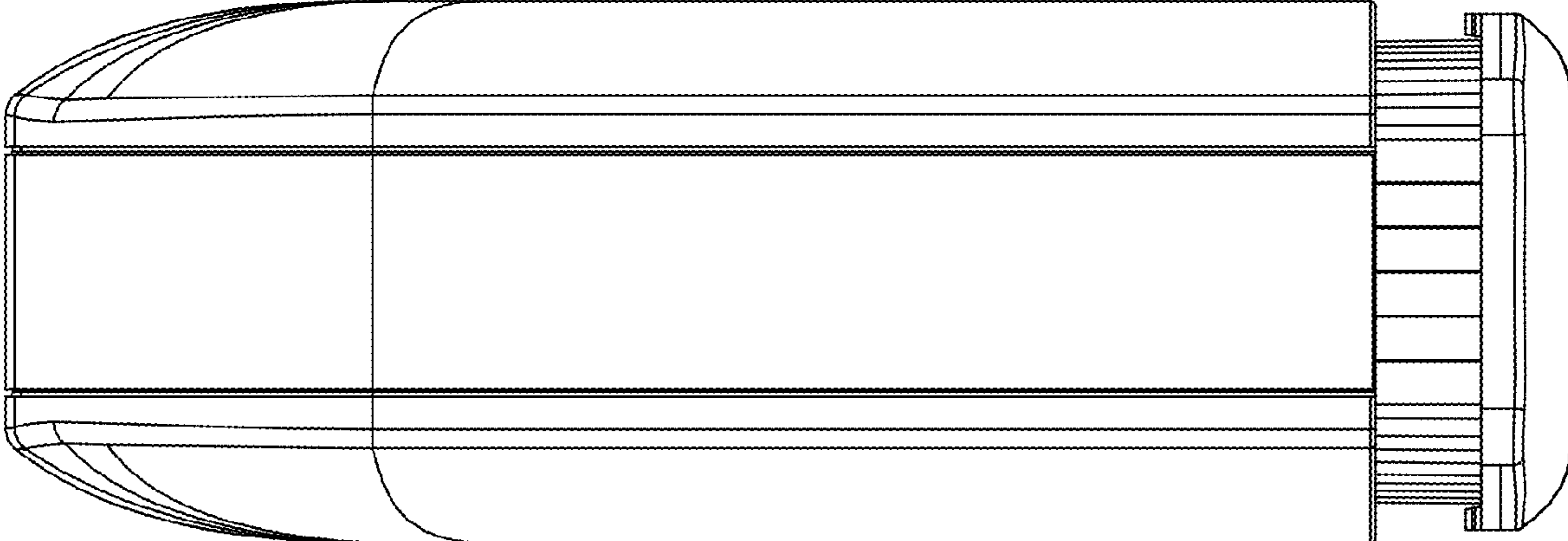


FIG. 7

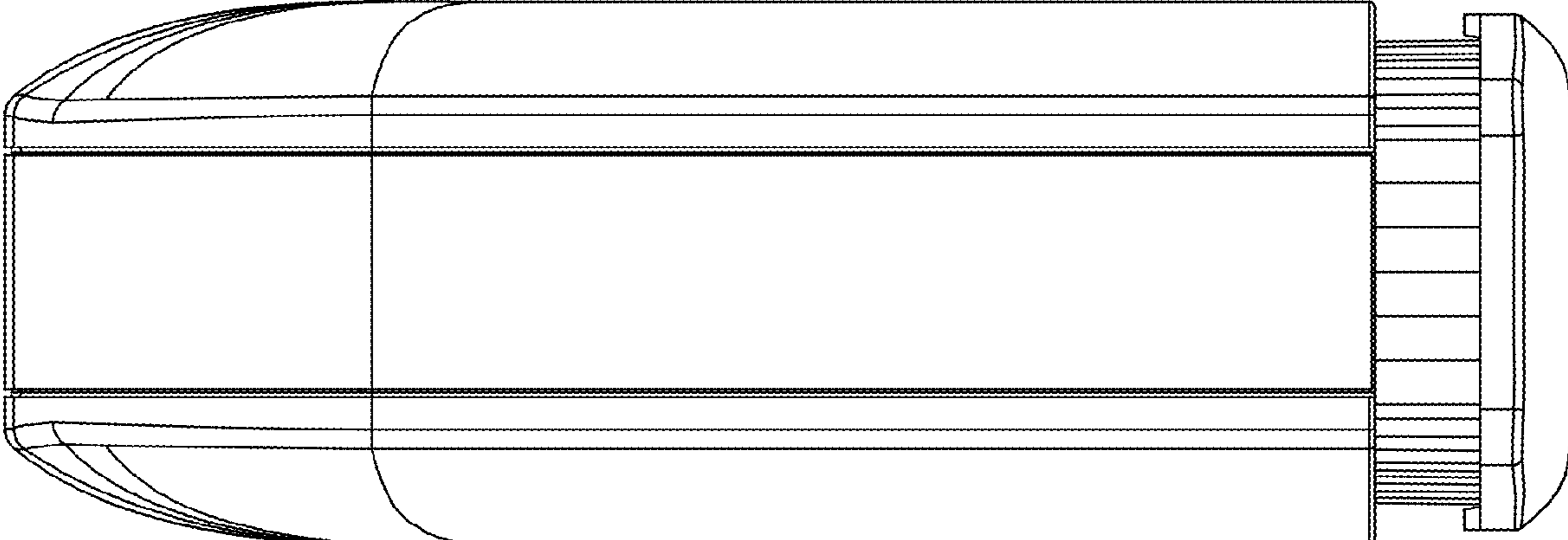


FIG. 8