



US00D895199S

(12) **United States Design Patent** (10) **Patent No.:** **US D895,199 S**
Li et al. (45) **Date of Patent:** **** Sep. 1, 2020**

(54) **ELECTRONIC CIGARETTE ASSEMBLY**

(71) Applicant: **SHENZHEN SMOORE TECHNOLOGY LIMITED**,
Shenzhen, Guangdong (CN)

(72) Inventors: **Kui Li**, Guangdong (CN); **Jiyong Yang**, Guangdong (CN)

(73) Assignee: **SHENZHEN SMOORE TECHNOLOGY LIMITED**, Shenzhen (CN)

(**) Term: **15 Years**

(21) Appl. No.: **29/676,065**

(22) Filed: **Jan. 8, 2019**

(30) **Foreign Application Priority Data**

Jul. 20, 2018 (CN) 2018 3 0394744

(51) **LOC (12) Cl.** **27-02**

(52) **U.S. Cl.**
USPC **D27/162**

(58) **Field of Classification Search**
USPC D27/162, 100, 101, 163-165, 172, 174,
D27/183, 185-194; D23/366; D24/110,
(Continued)

(56) **References Cited**

U.S. PATENT DOCUMENTS

D613,395 S * 4/2010 Nakao D24/110
D646,574 S * 10/2011 Bore D9/529
(Continued)

Primary Examiner — Marissa J Cash

Assistant Examiner — Rebecca Tsehaye

(74) *Attorney, Agent, or Firm* — Ladas & Parry LLP

(57) **CLAIM**

The ornamental design for an electronic cigarette assembly, as shown and described.

DESCRIPTION

FIG. 1 is a front, right and top perspective view of an electronic cigarette assembly shown as a component 1 removed from the assembly in FIGS. 17-24 for clarity of disclosure;

FIG. 2 is a rear, left, and bottom perspective view thereof;

FIG. 3 is a front elevational view thereof;

FIG. 4 is a rear elevational view thereof;

FIG. 5 is a left side elevational view thereof;

FIG. 6 is a right side elevational view thereof;

FIG. 7 is a top plan view thereof;

FIG. 8 is a bottom plan view thereof;

FIG. 9 is a front, right and top perspective view of the electronic cigarette assembly shown as a component 2 removed from the assembly in FIGS. 17-24 for clarity of disclosure;

FIG. 10 is a rear, left, and bottom perspective view thereof;

FIG. 11 is a front elevational view thereof;

FIG. 12 is a rear elevational view thereof;

FIG. 13 is a left side elevational view thereof;

FIG. 14 is a right side elevational view thereof;

FIG. 15 is a top plan view thereof;

FIG. 16 is a bottom plan view thereof;

FIG. 17 is a front, right and top perspective view of electronic cigarette assembly where component 1 and component 2 are shown in an assembled state of use;

FIG. 18 is a rear, left, and bottom perspective view thereof;

FIG. 19 is a front elevational view thereof;

FIG. 20 is a rear elevational view thereof;

FIG. 21 is a left side elevational view thereof;

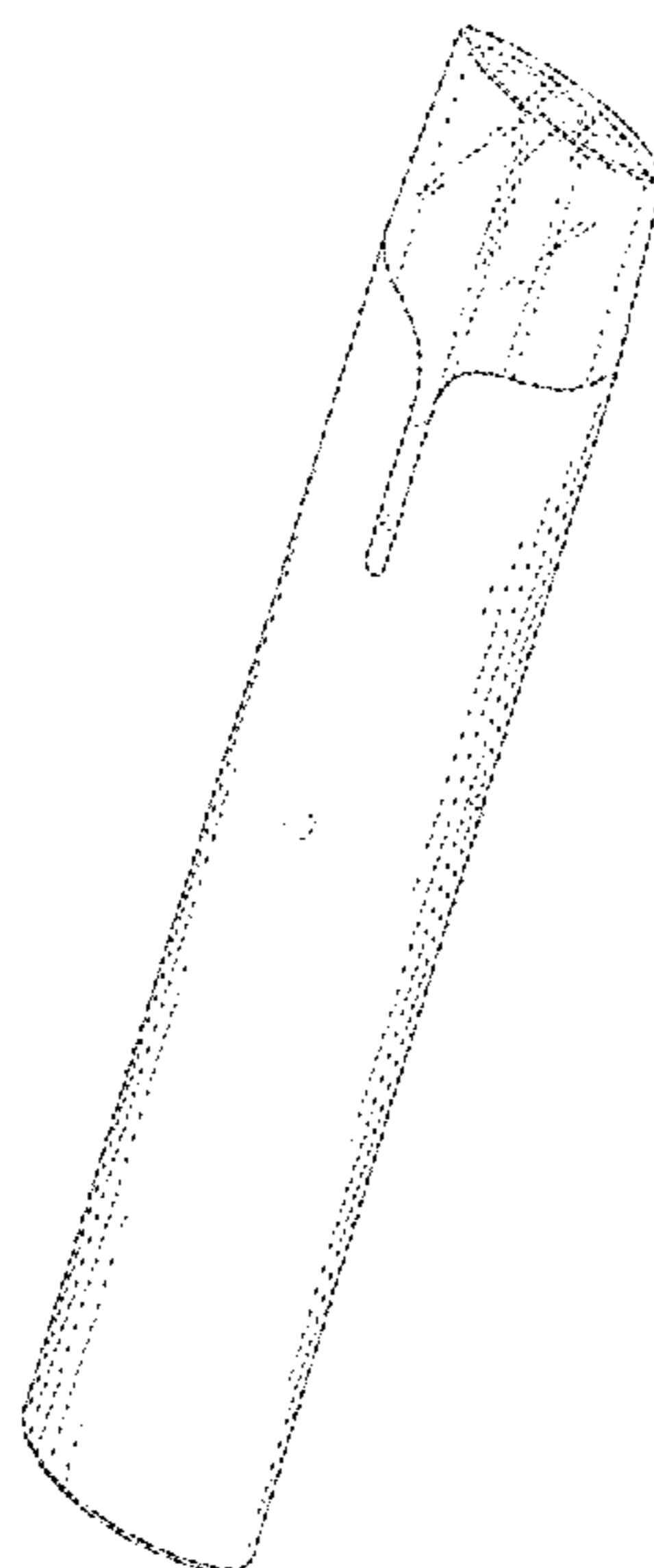
FIG. 22 is a right side elevational view thereof;

FIG. 23 is a top plan view thereof; and,

FIG. 24 is a bottom plan view thereof.

The broken lines in the drawings depict portions of the electronic cigarette assembly that form no part of the claimed design.

1 Claim, 24 Drawing Sheets



(58) **Field of Classification Search**

USPC D24/110.5; 128/202.21, 203.12;
131/273, 274, 270, 191, 328, 329, 330,
131/360-365

CPC A24F 47/002; A24F 47/006; A24F 47/008;
A61M 15/00; A61M 15/06

See application file for complete search history.

(56) **References Cited**

U.S. PATENT DOCUMENTS

| | | | | | | |
|--------------|----|---|---------|---------|-------|-------------|
| D763,502 | S | * | 8/2016 | Verleur | | D27/167 |
| D809,648 | S | * | 2/2018 | Ohrt | | D24/110 |
| D837,446 | S | * | 1/2019 | Durand | | D27/101 |
| D846,796 | S | * | 4/2019 | Pan | | D27/101 |
| D853,632 | S | * | 7/2019 | Qiu | | D27/101 |
| D866,064 | S | * | 11/2019 | Powell | | D27/170 |
| D871,669 | S | * | 12/2019 | Lee | | D27/194 |
| D875,302 | S | * | 2/2020 | Pan | | D27/162 |
| D875,303 | S | * | 2/2020 | Pan | | D27/162 |
| D875,305 | S | * | 2/2020 | Lai | | D27/167 |
| D875,306 | S | * | 2/2020 | Pan | | D27/167 |
| D877,976 | S | * | 3/2020 | Ding | | D27/162 |
| D877,977 | S | * | 3/2020 | Ding | | D27/162 |
| 2019/0053542 | A1 | * | 2/2019 | Chen | | A61M 11/042 |

* cited by examiner

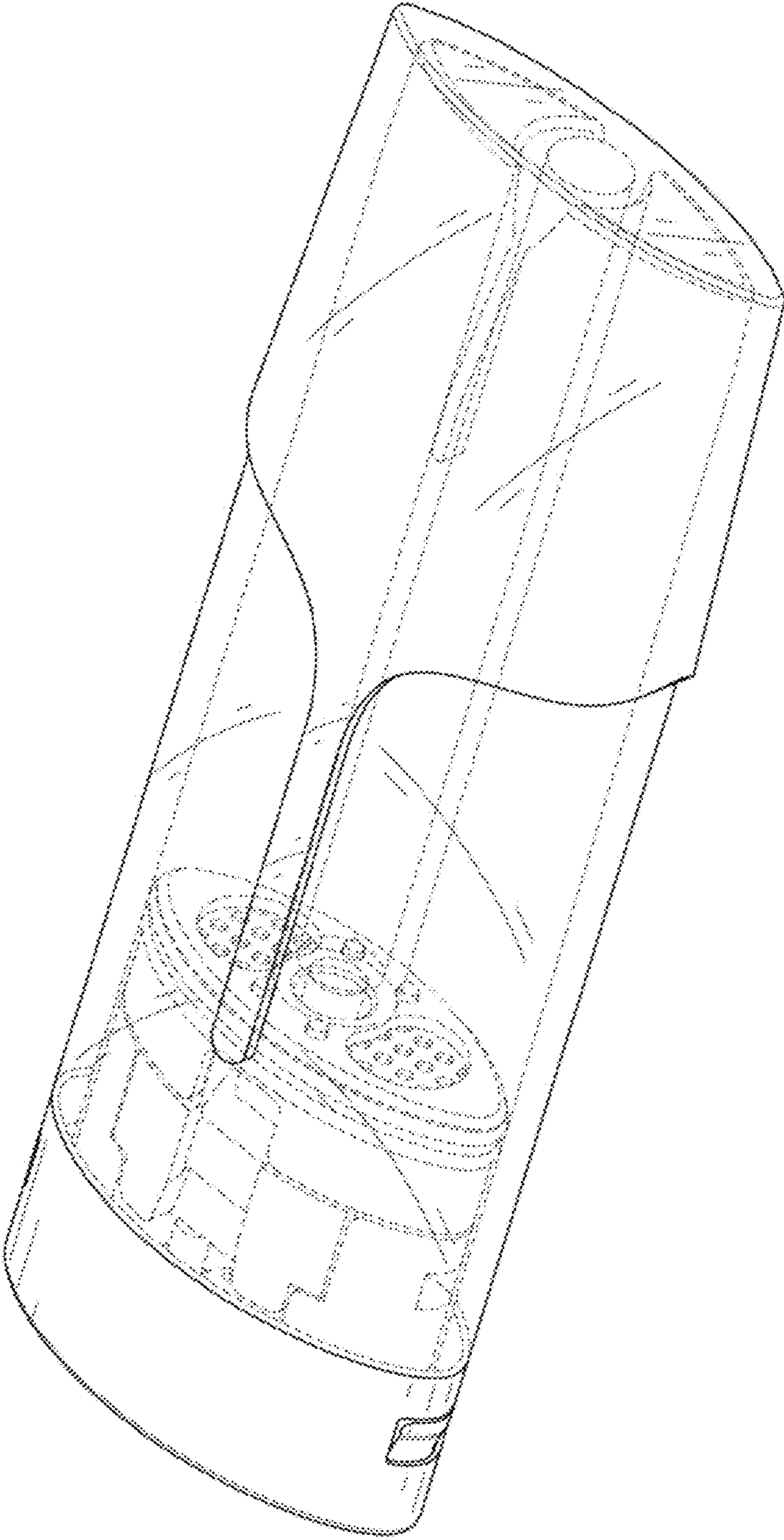


FIG. 1

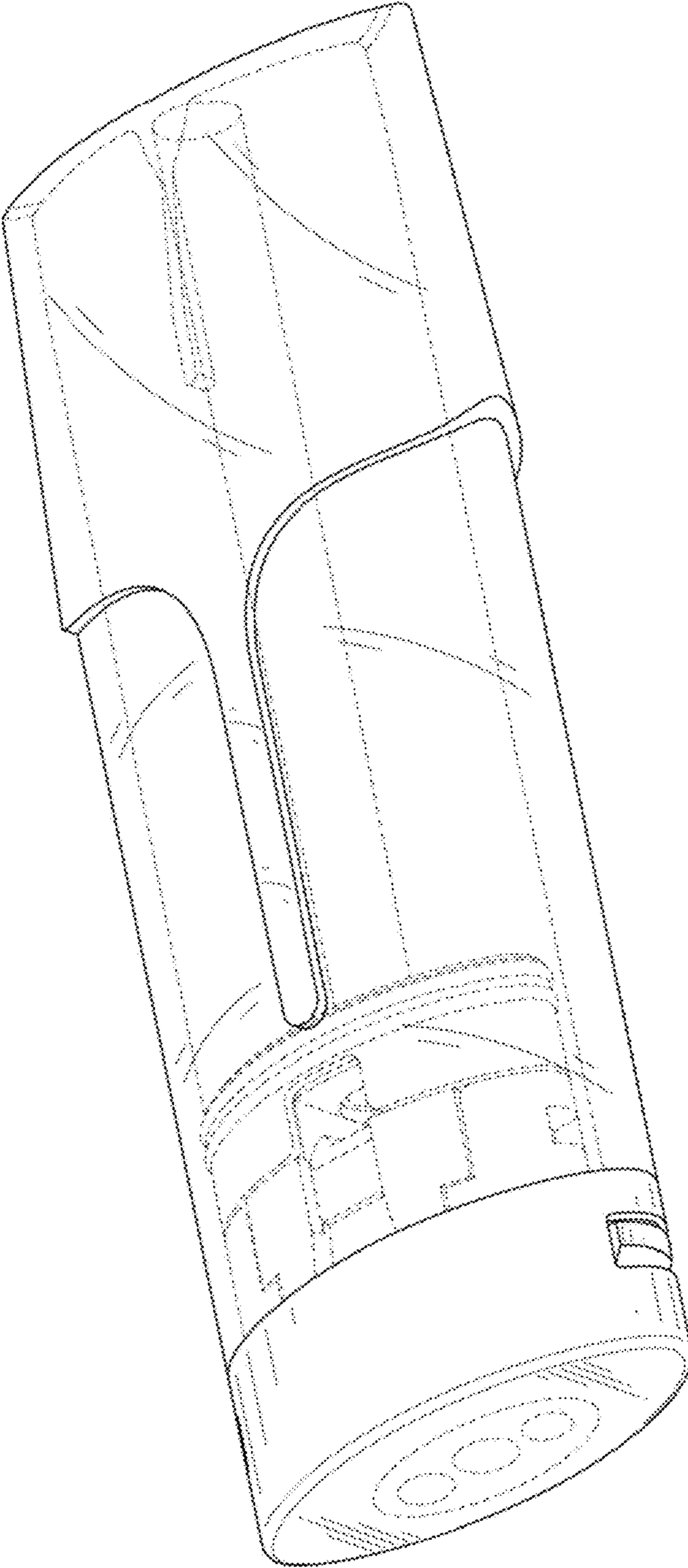


FIG. 2

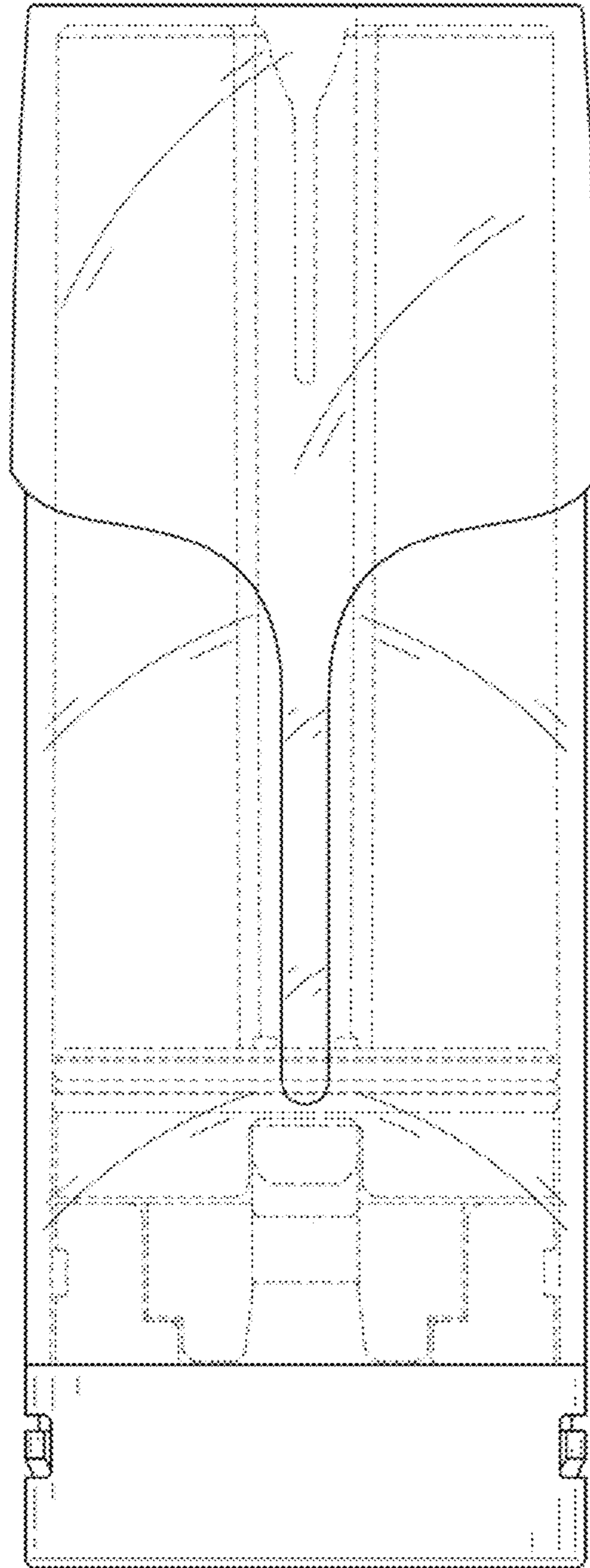


FIG. 3

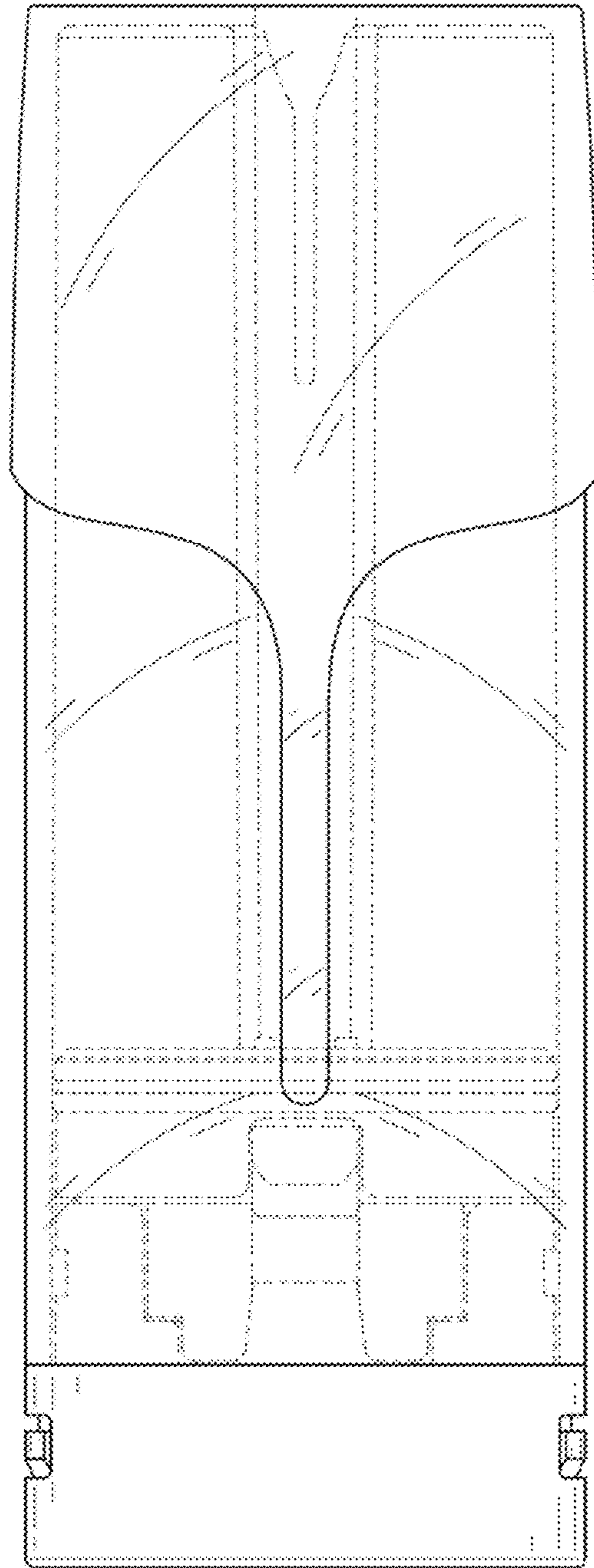


FIG. 4

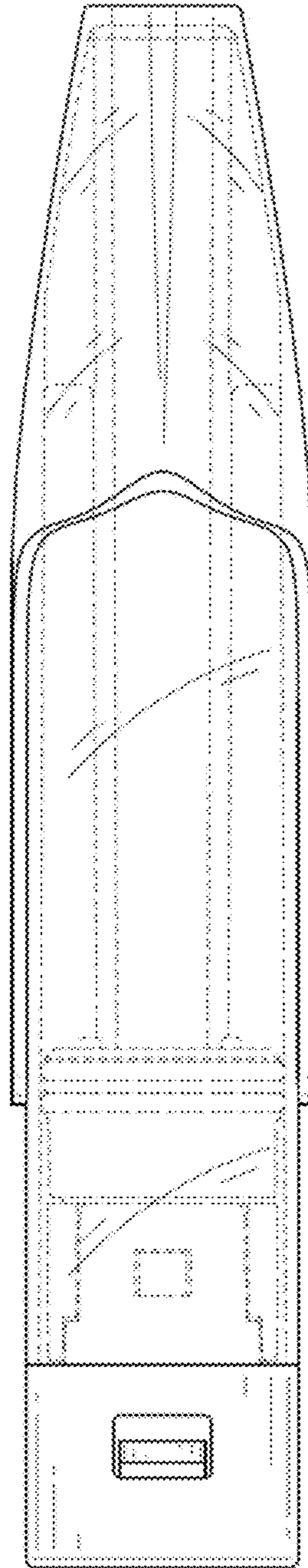


FIG. 5

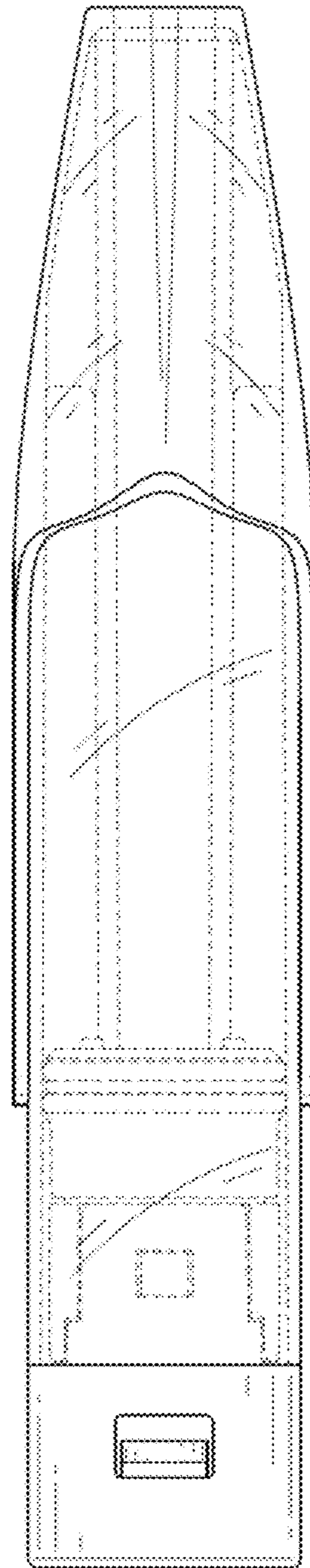


FIG. 6

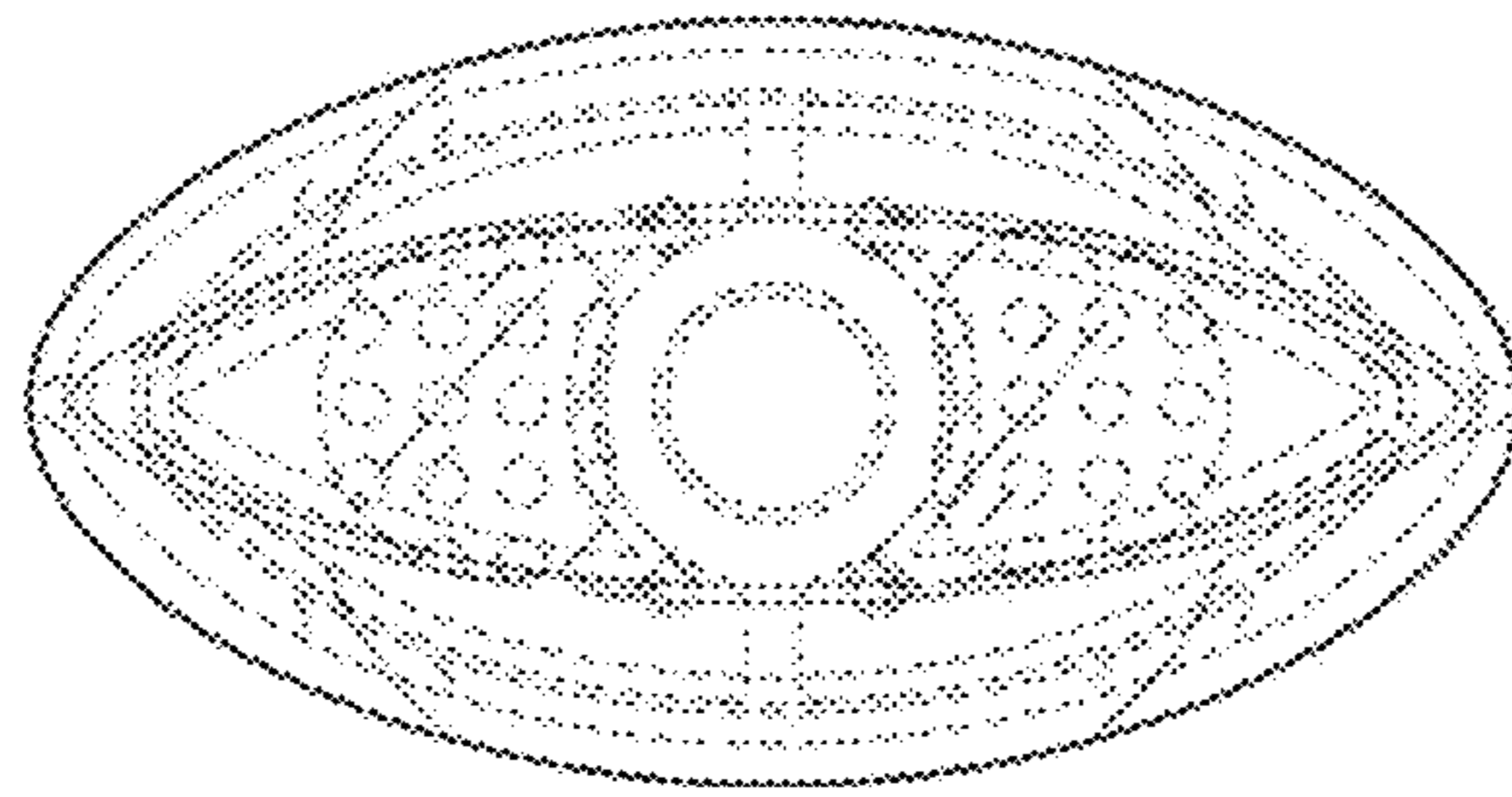


FIG. 7

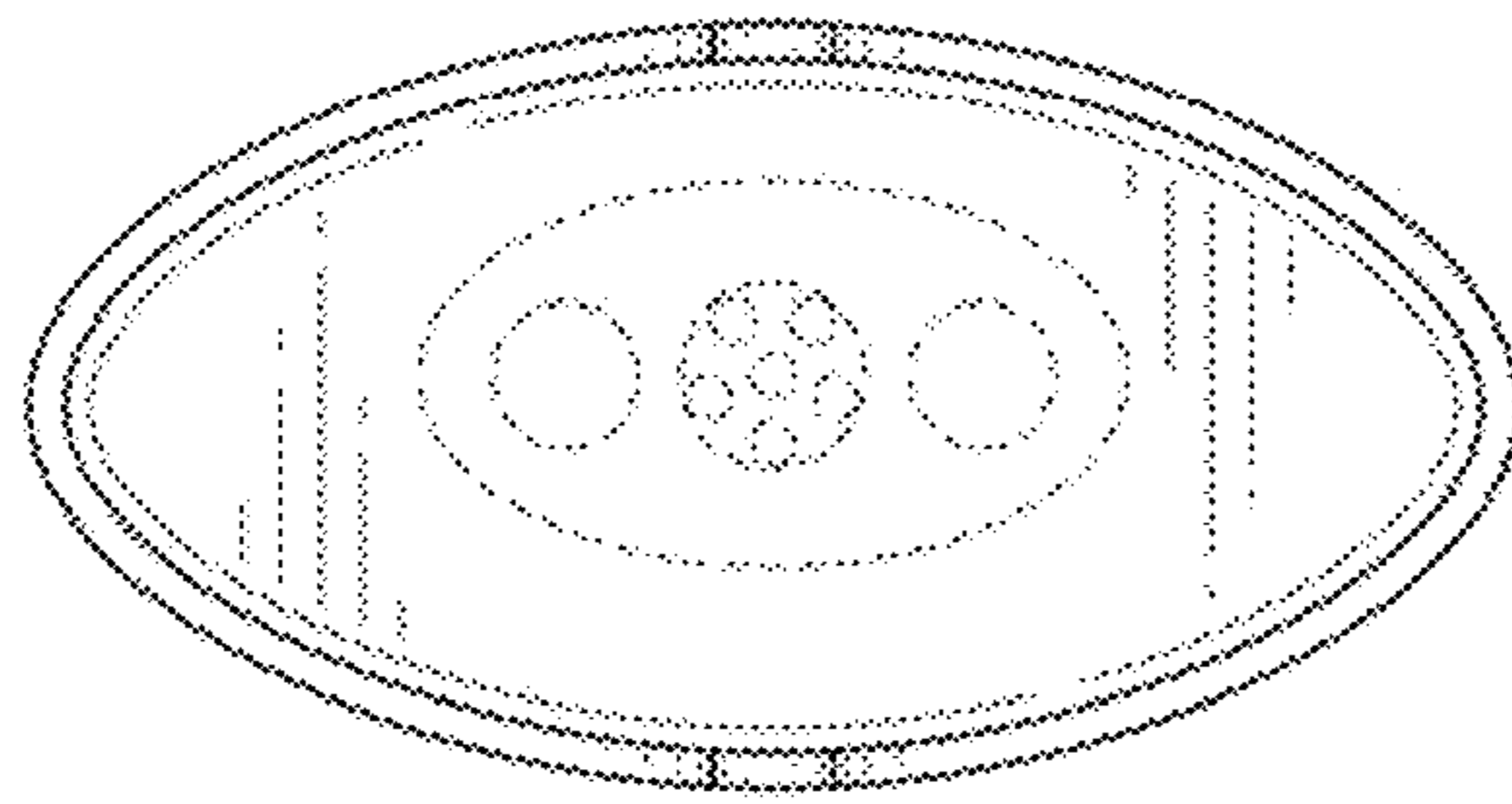


FIG. 8

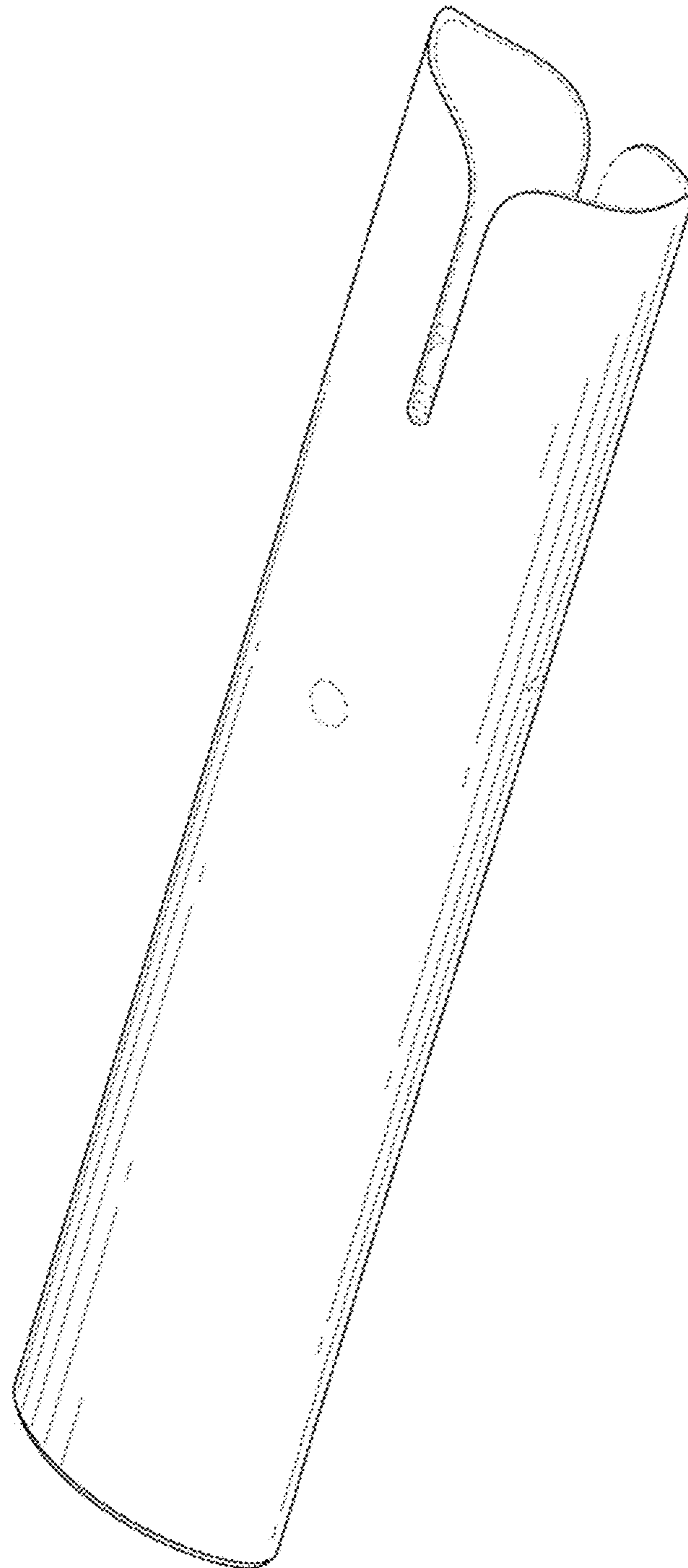


FIG. 9

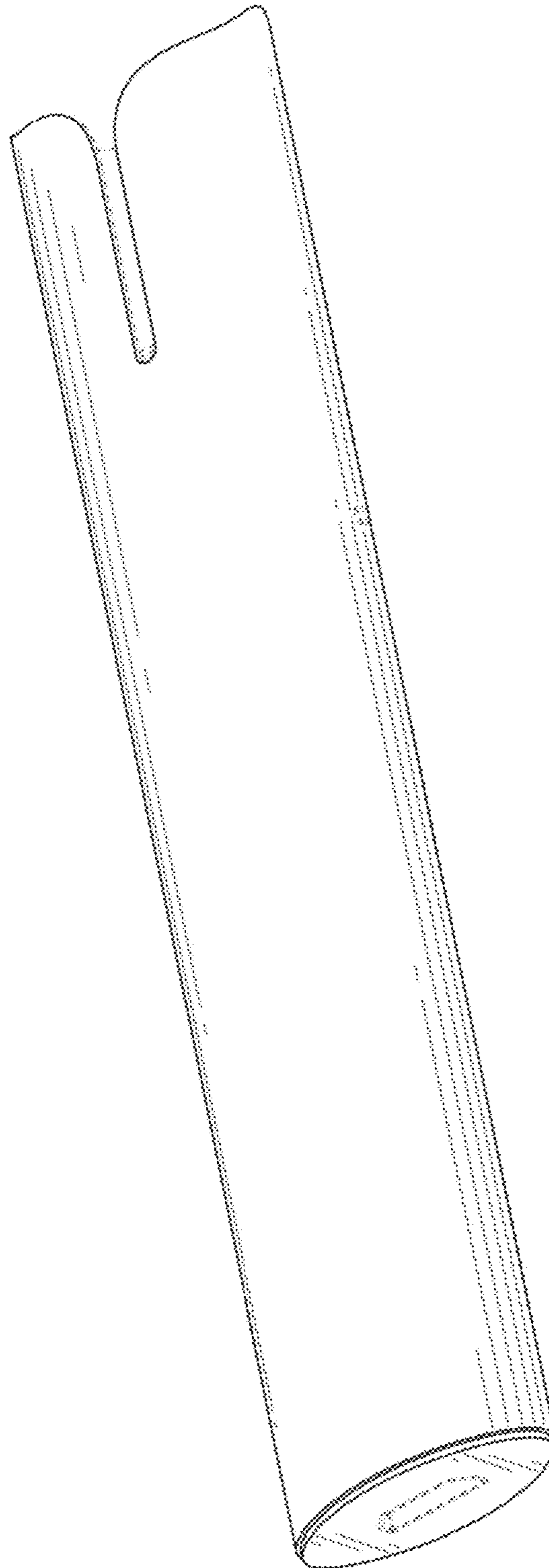


FIG. 10

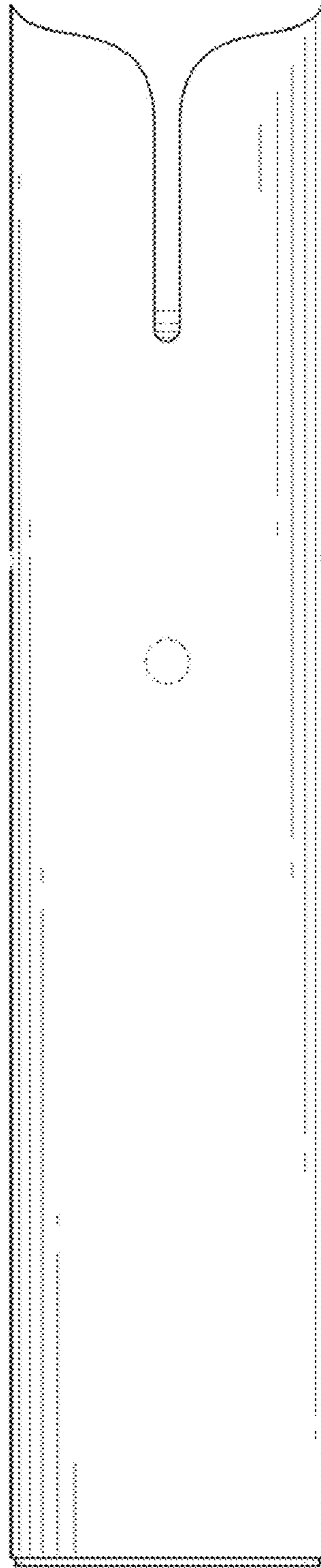


FIG. 11

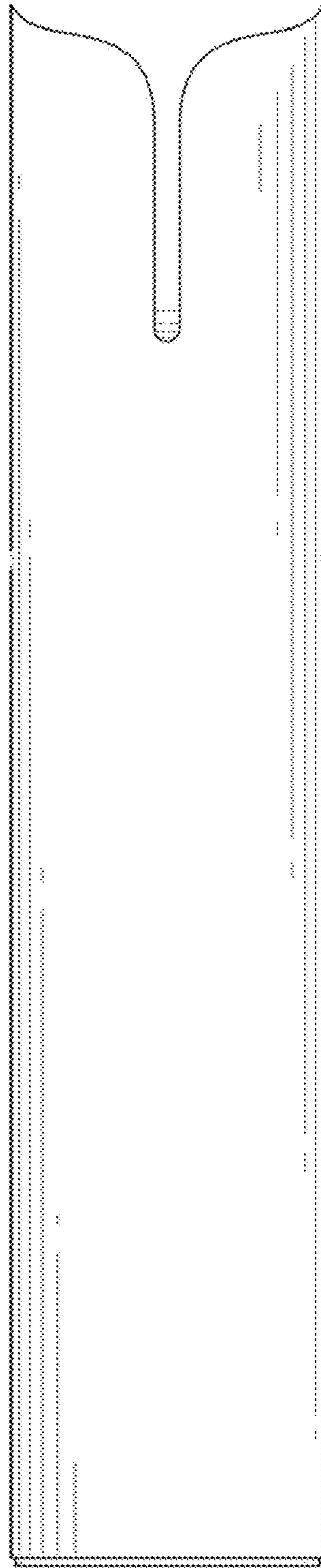


FIG. 12

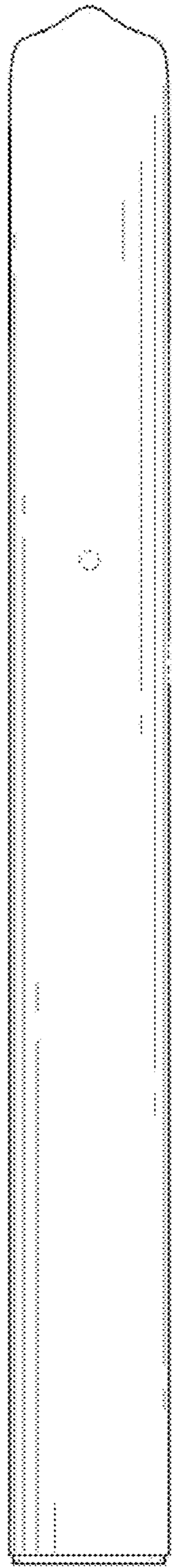


FIG. 13

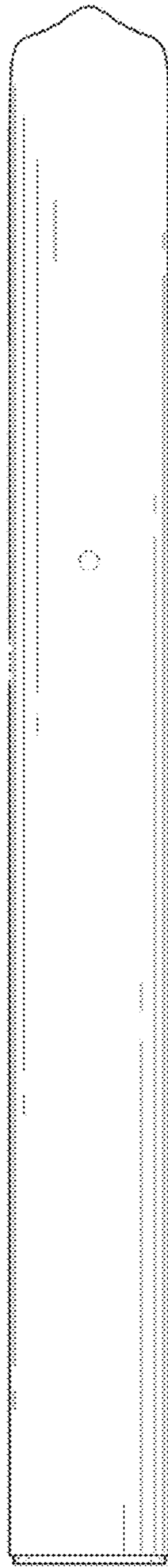


FIG. 14

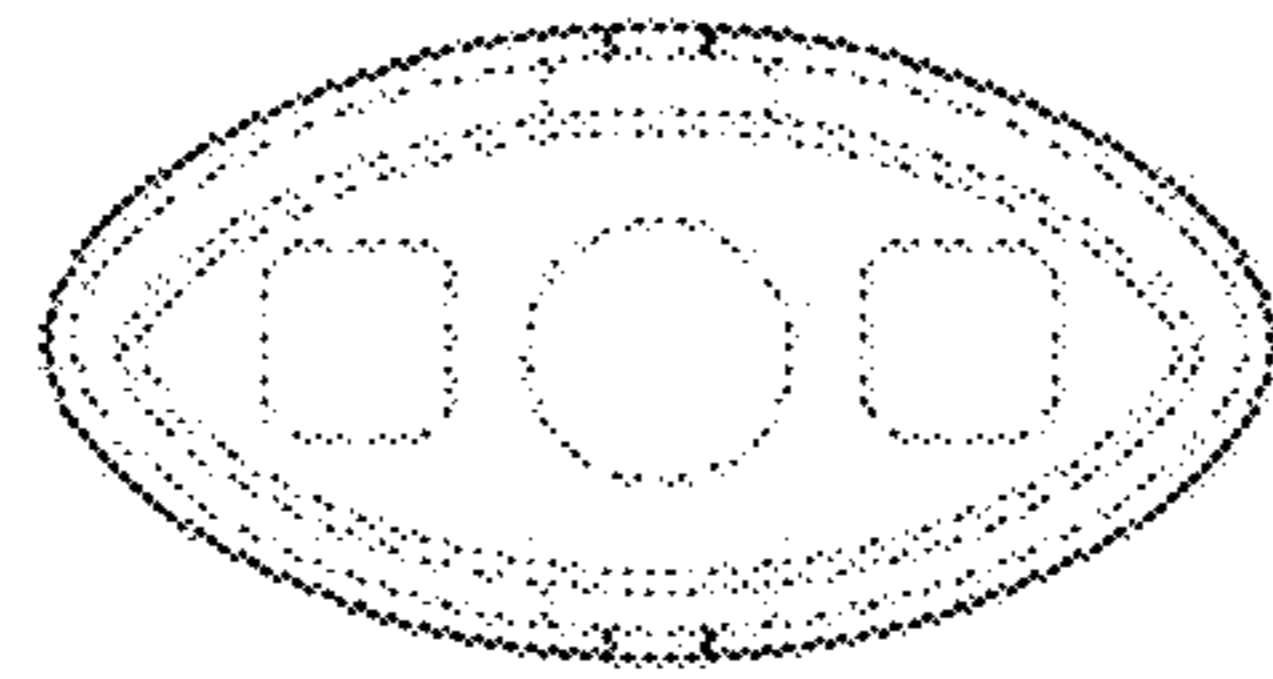


FIG. 15

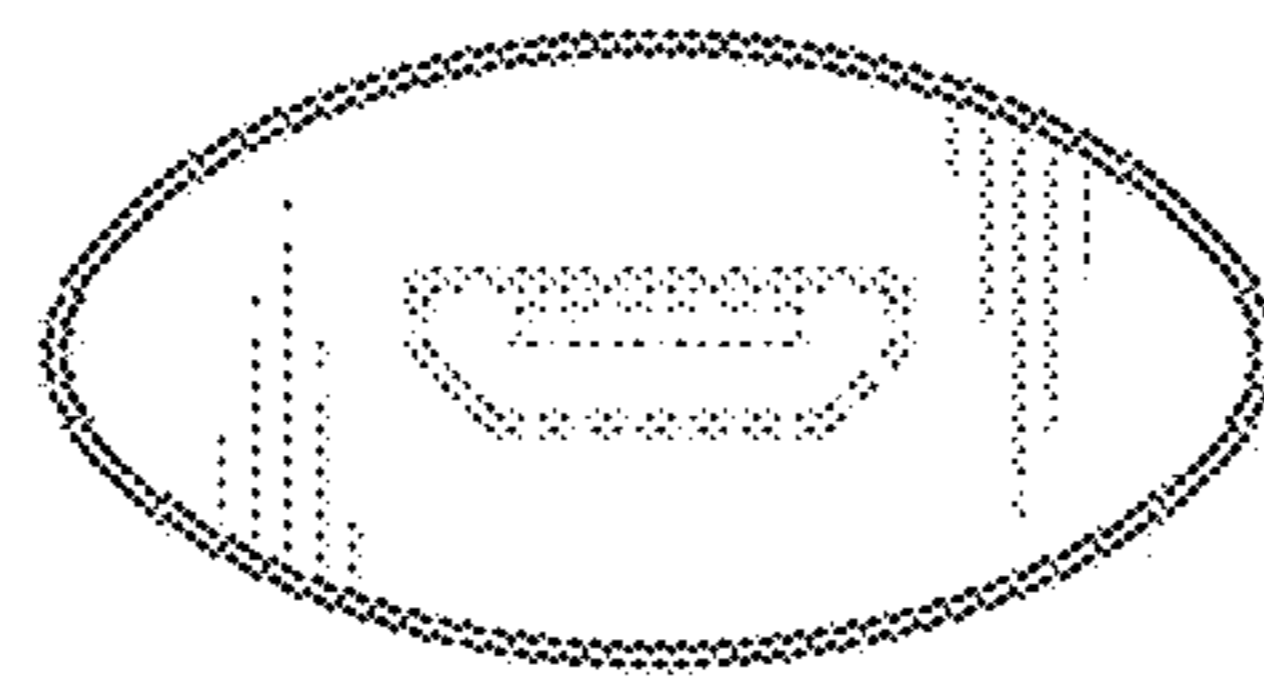


FIG. 16

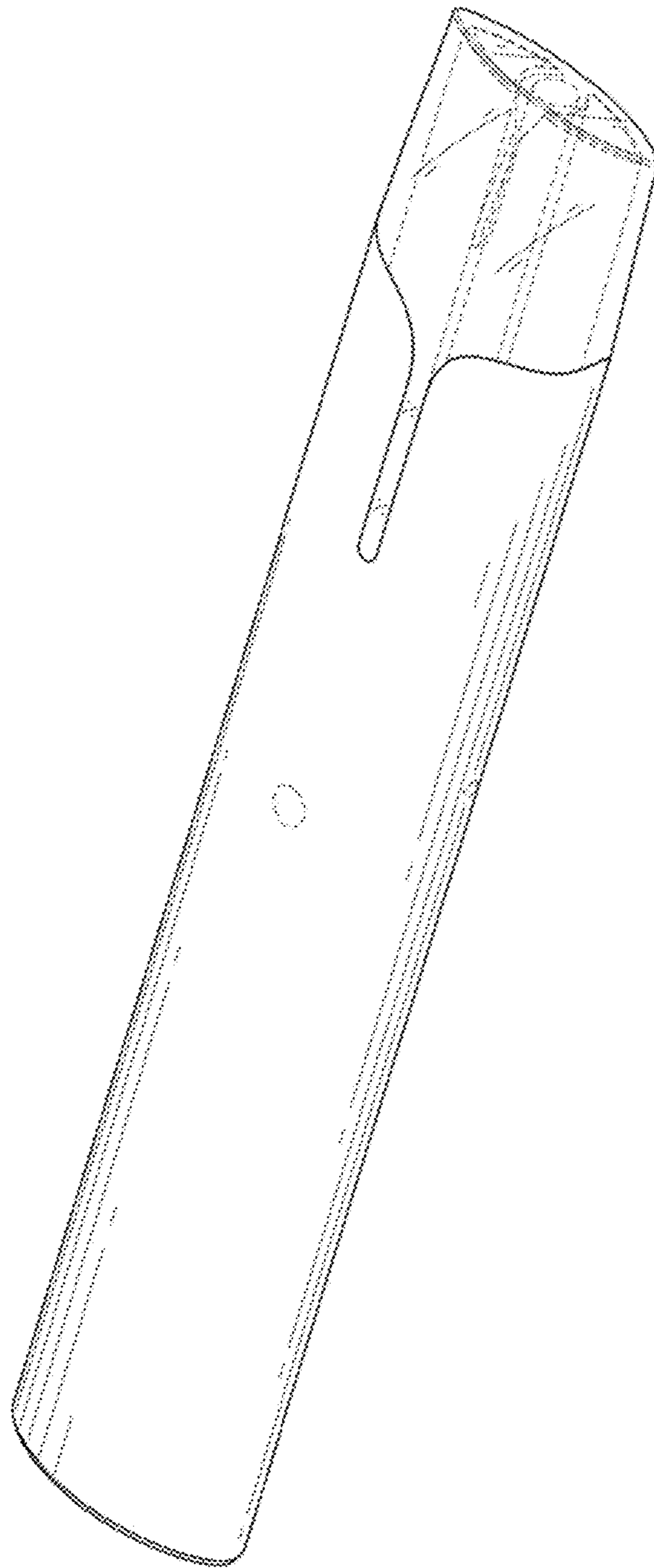


FIG. 17

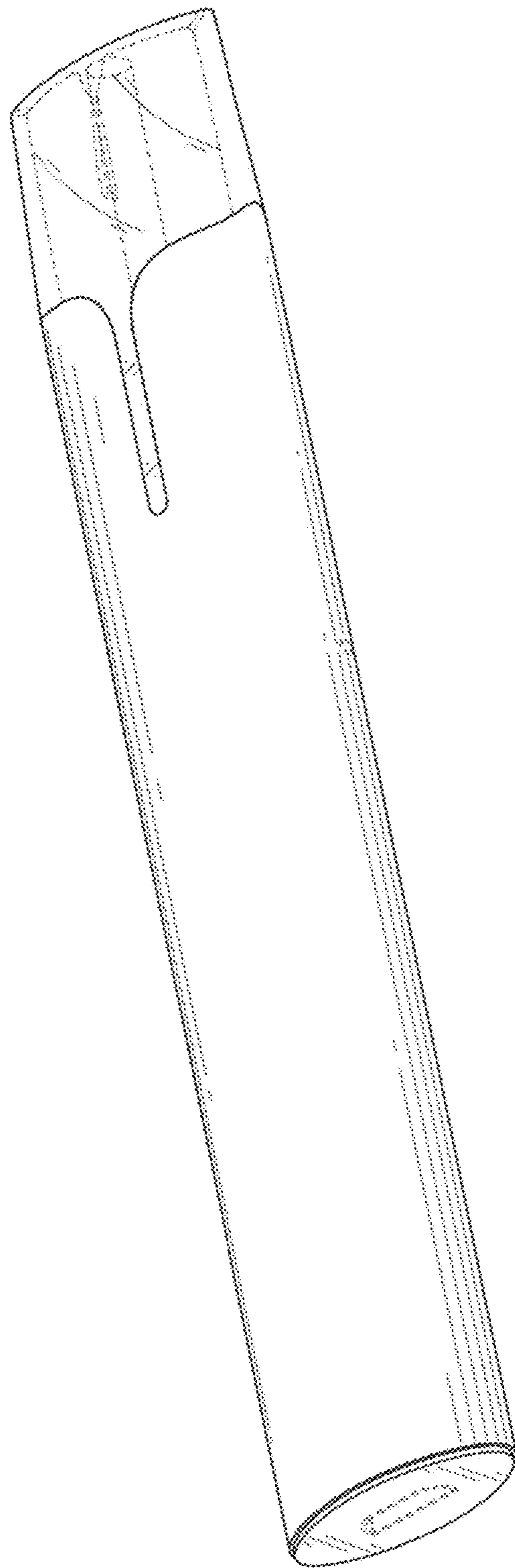


FIG. 18

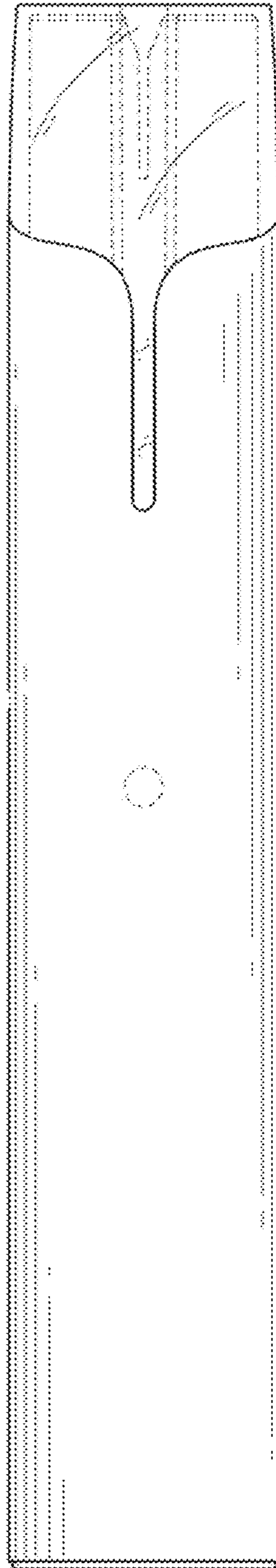


FIG. 19

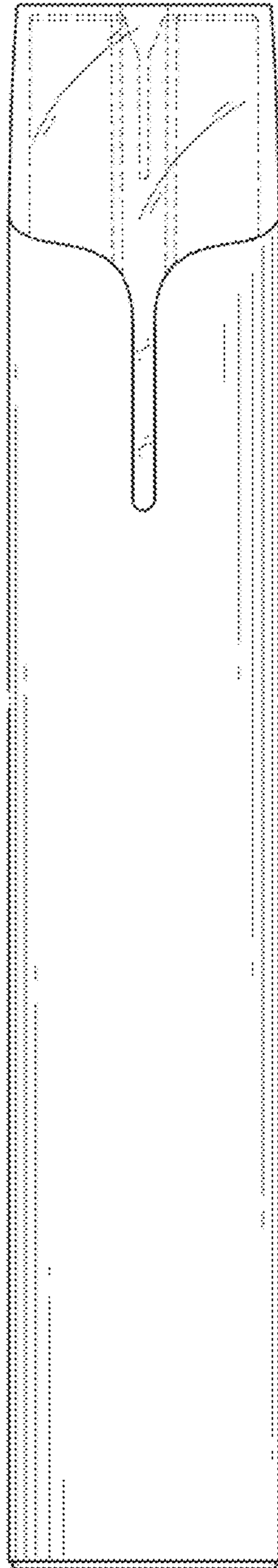


FIG. 20

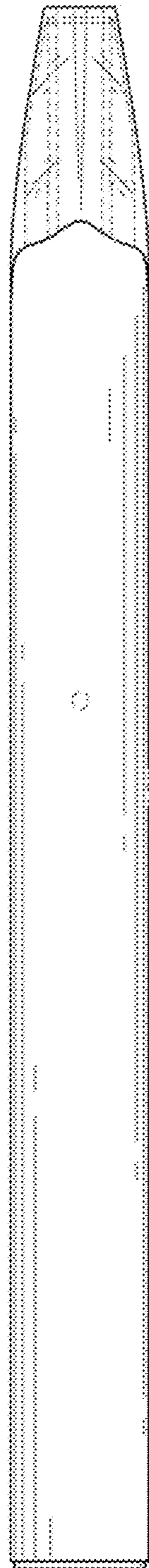


FIG. 21

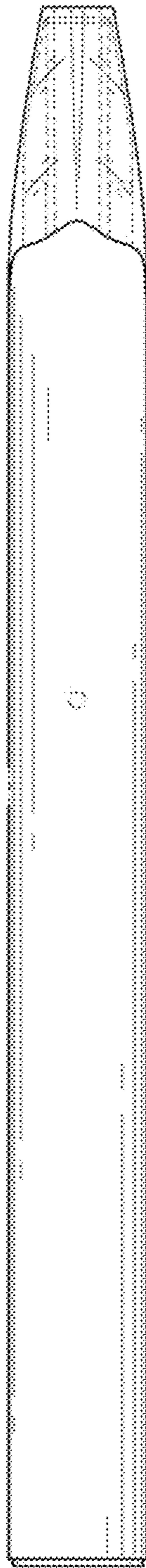


FIG. 22

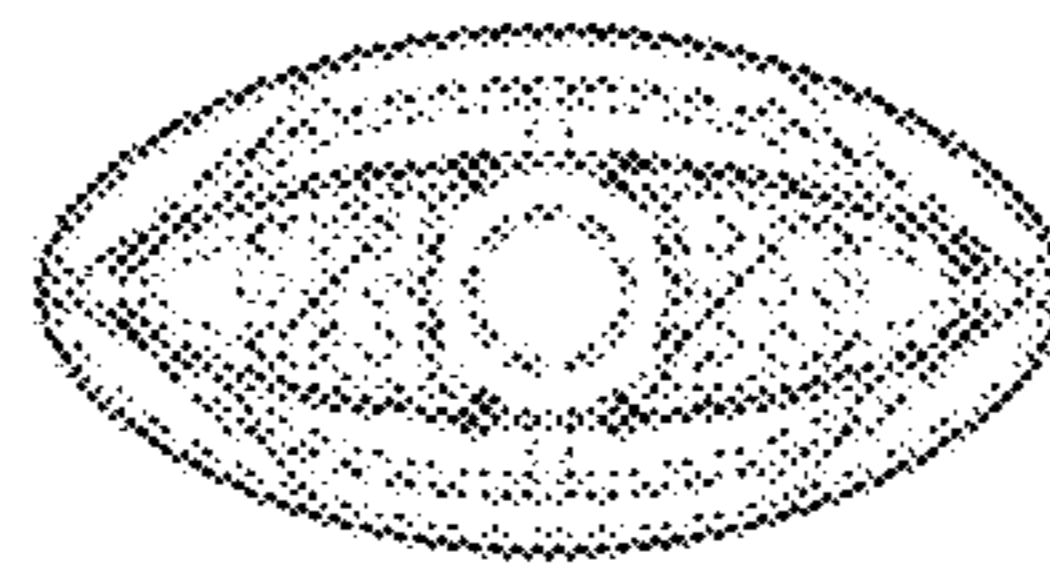


FIG. 23

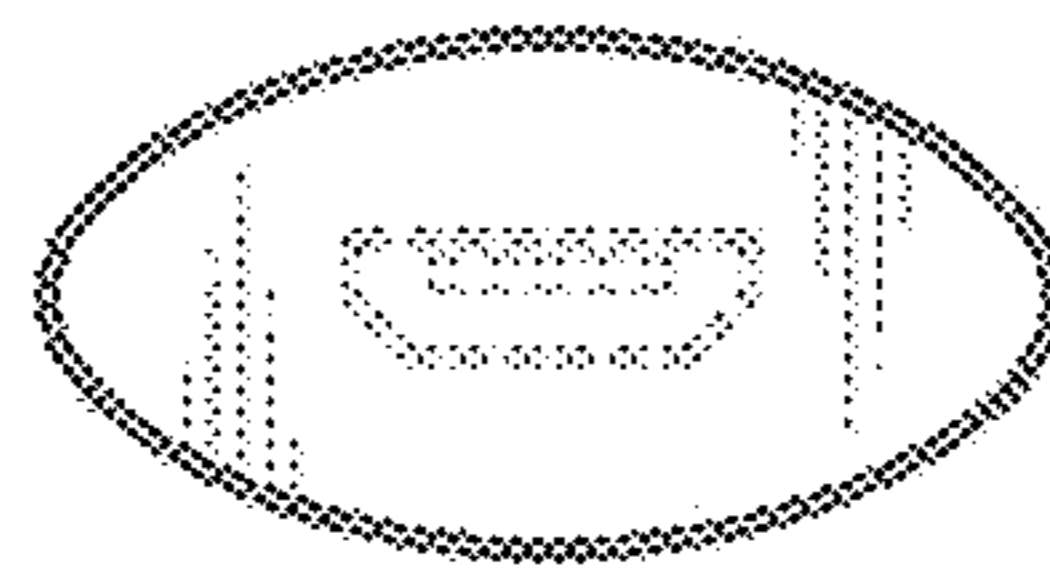


FIG. 24