



US00D895198S

(12) **United States Design Patent** (10) **Patent No.:** **US D895,198 S**
Masri (45) **Date of Patent:** **** Sep. 1, 2020**

(54) HOOKAH	2,637,143 A ‡ 5/1953 Reynolds A47G 7/07 47/41
(71) Applicant: Wael Salim Elhalwani , Estepona, Malaga (ES)	3,630,811 A ‡ 12/1971 Radus A41G 1/00 206/42
(72) Inventor: Rodney Nader Masri , Statesboro, GA (US)	3,768,202 A ‡ 10/1973 Wheelock A01G 5/04 211/60
(**) Term: 15 Years	D368,324 S * 3/1996 Heine D27/162
(21) Appl. No.: 29/675,805	6,523,301 B2 ‡ 2/2003 Delaney A47G 7/07 47/41
(22) Filed: Jan. 4, 2019	D558,919 S * 1/2008 Kassir D27/162
	D561,388 S * 2/2008 Kassir D27/162
	D584,853 S * 1/2009 Kassir D27/162
	D622,099 S * 8/2010 Pike D27/162
	7,827,995 B2 * 11/2010 Chaoui A24F 1/30 131/173

(Continued)

Related U.S. Application Data

- (62) Division of application No. 29/607,906, filed on Jun. 16, 2017, now Pat. No. Des. 875,301.
- (51) **LOC (12) Cl.** **27-02**
- (52) **U.S. Cl.**
USPC **D27/162**
- (58) **Field of Classification Search**
USPC D27/162, 100, 103, 163–165, 167, 168,
D27/169, 180, 183, 194; D11/154, 157;
D23/360; 131/173, 178, 220, 235.1,
131/237.5, 240.1, 256, 328–330;
128/202.21
CPC A24F 1/30; A24F 1/02; A24F 1/00; A24F
47/008; A24F 47/002; A61M 11/00
See application file for complete search history.

Primary Examiner — Marissa J Cash
Assistant Examiner — Rebecca Tsehaye
(74) *Attorney, Agent, or Firm* — Norvell IP, LLC

(57) **CLAIM**

The ornamental design for a hookah, as shown and described.

DESCRIPTION

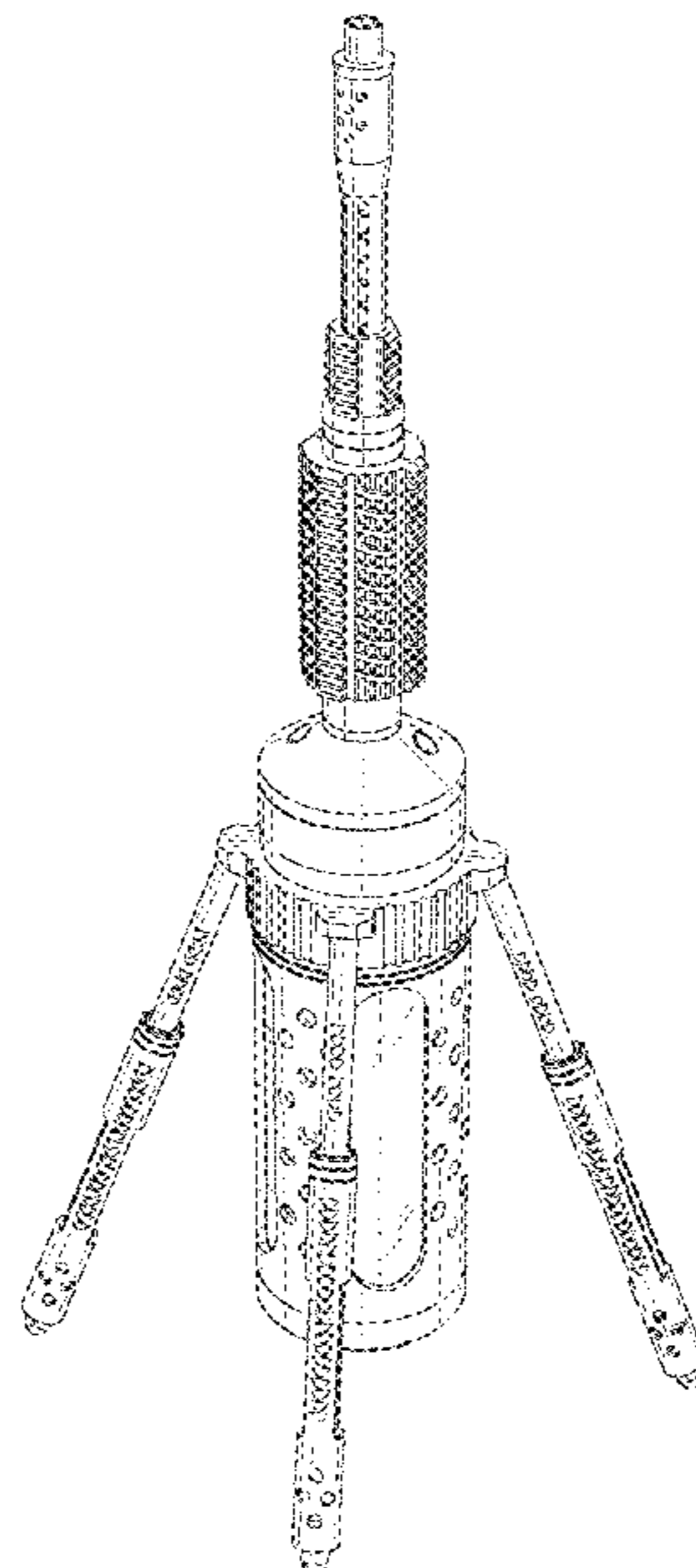
FIG. 1 is a perspective view showing an embodiment of the hookah of the present invention.
FIG. 2 is a bottom perspective view of the invention shown in FIG. 1.
FIG. 3 is a side view of the invention shown in FIG. 1.
FIG. 4 is a side view of the invention shown in FIG. 1.
FIG. 5 is a side view of the invention shown in FIG. 1.
FIG. 6 is a side view of the invention shown in FIG. 1.
FIG. 7 is a top view of the invention shown in FIG. 1; and, FIG. 8 is a bottom view of the invention shown in FIG. 1. Oblique lines on the hookah surfaces indicate that those surfaces are transparent. The broken lines shown in FIG. 7 are for purposes of illustrating portions of the hookah that form no part of the claim.

(56) **References Cited**

U.S. PATENT DOCUMENTS

626,013 A ‡ 5/1899 Walker A47G 7/07 47/41
1,962,110 A ‡ 6/1934 Ash A47G 7/07 47/41
2,005,966 A ‡ 6/1935 Beagle B29C 51/32 220/36

1 Claim, 8 Drawing Sheets



(56)

References Cited

U.S. PATENT DOCUMENTS

8,757,170 B2 * 6/2014 Kaplani A24F 1/30
 131/194
 8,763,306 B1 ‡ 7/2014 Perlsweig A01G 13/10
 47/41
 D748,854 S * 2/2016 Afridi D27/162
 D754,392 S * 4/2016 Helou D27/162
 D755,439 S * 5/2016 Helou D27/162
 D757,999 S * 5/2016 Elhalwani D27/162
 D773,113 S * 11/2016 Elhalwani D27/162
 9,775,382 B2 * 10/2017 Wang A24F 47/008
 10,165,796 B2 * 1/2019 Gebara A24F 5/00
 2009/0095310 A1 * 4/2009 Chaoui A24F 1/30
 131/173
 2010/0095585 A1 ‡ 4/2010 Hall A01G 5/04
 47/41
 2012/0180803 A1 * 7/2012 Beloni A24F 1/30
 131/173
 2016/0360788 A1 * 12/2016 Wang A24F 47/008
 2017/0055570 A1 * 3/2017 Elhalwani A24F 1/30

* cited by examiner

‡ imported from a related application

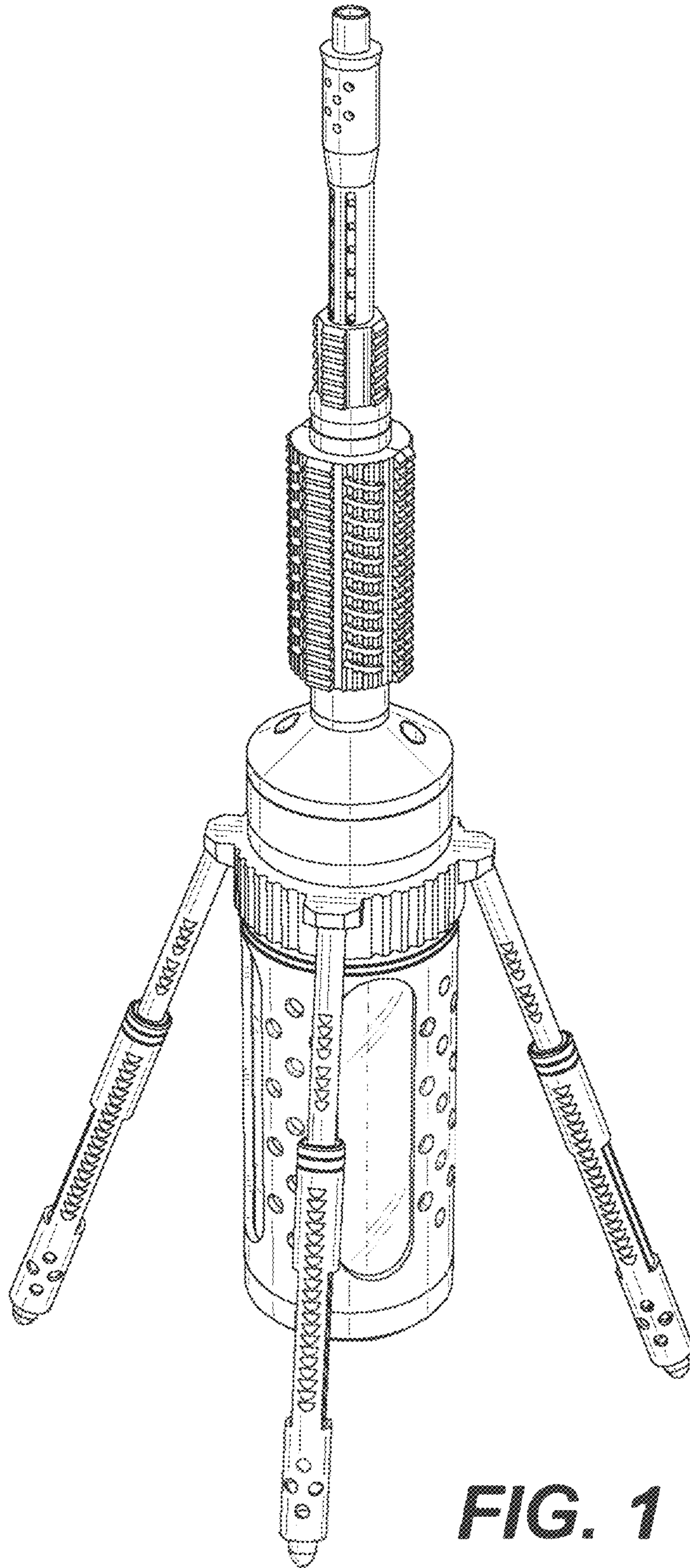


FIG. 1

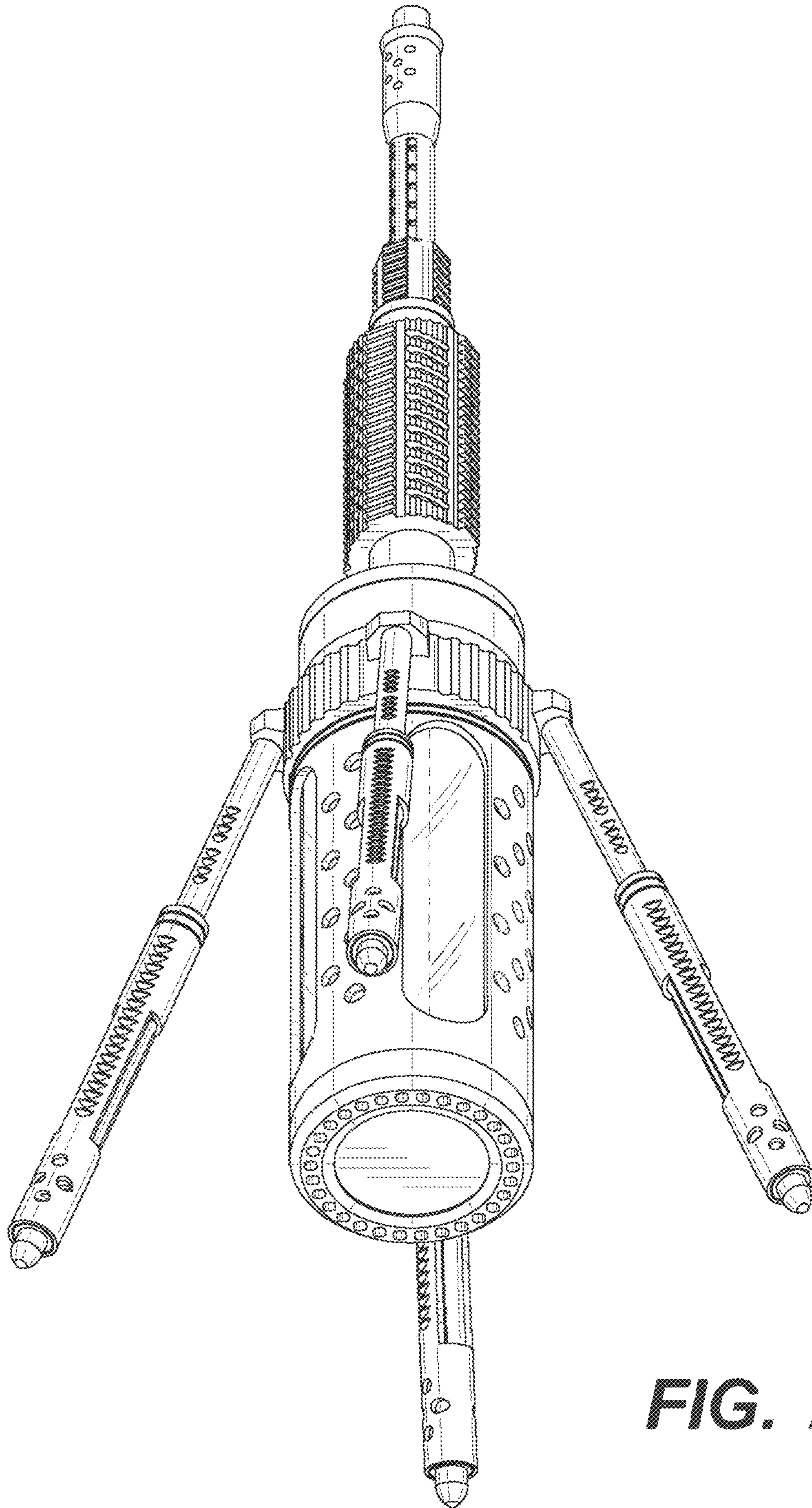


FIG. 2

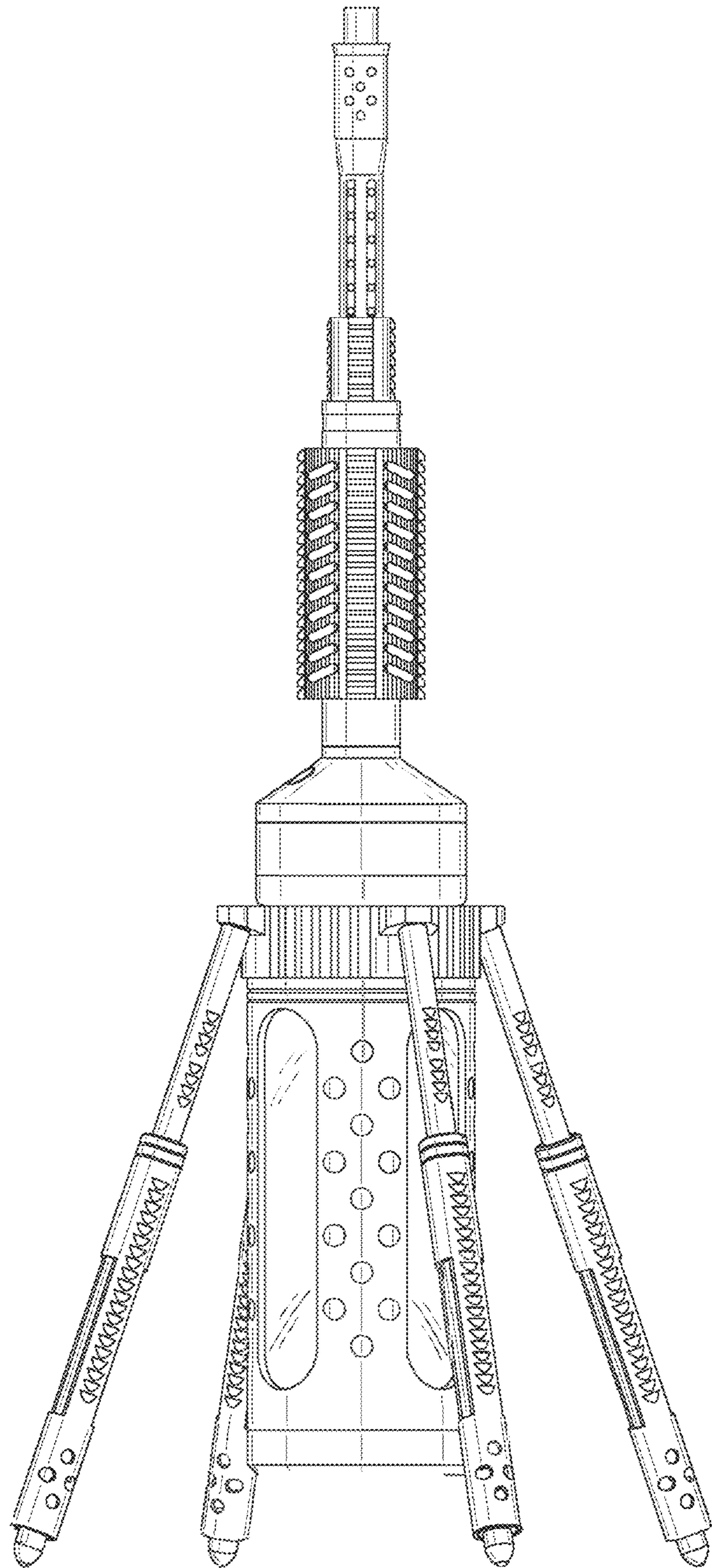


FIG. 3

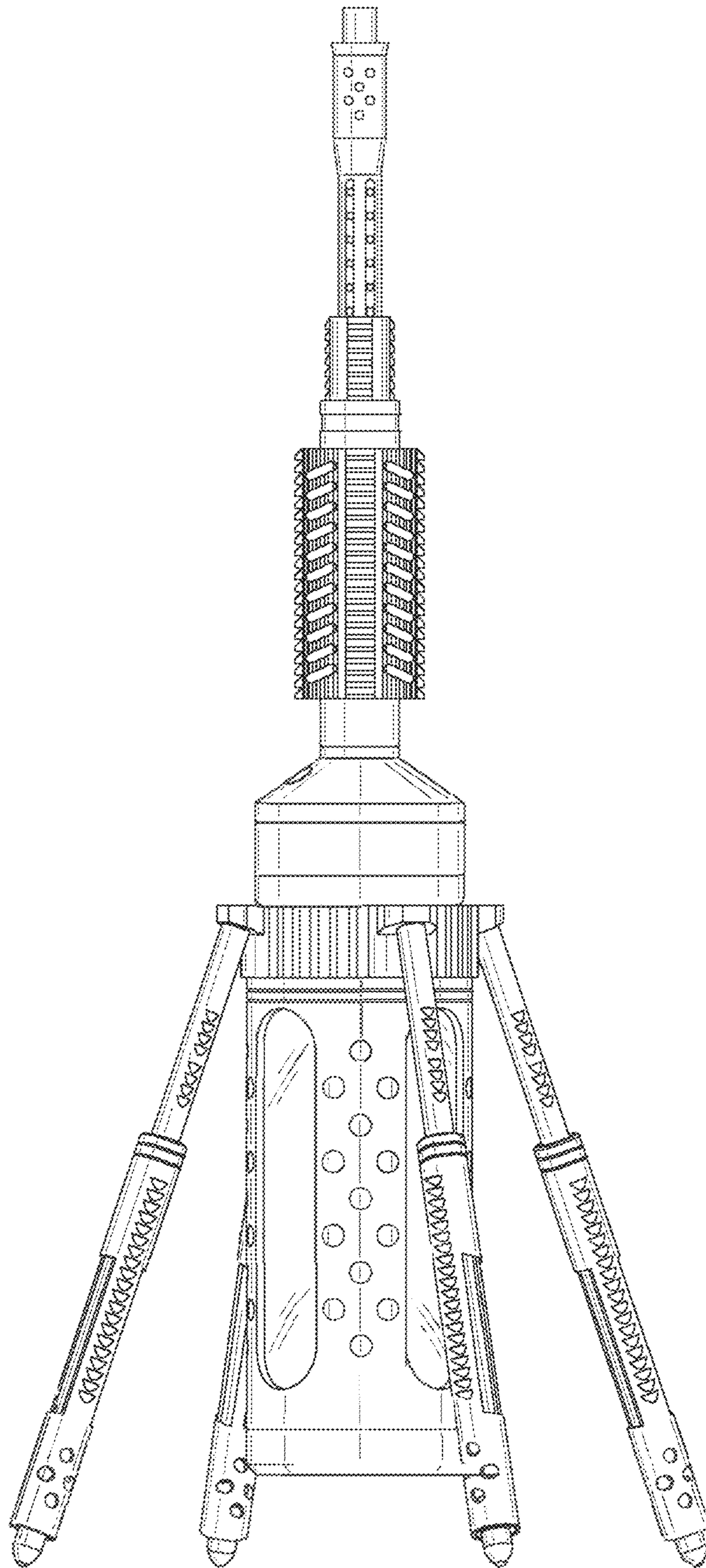


FIG. 4

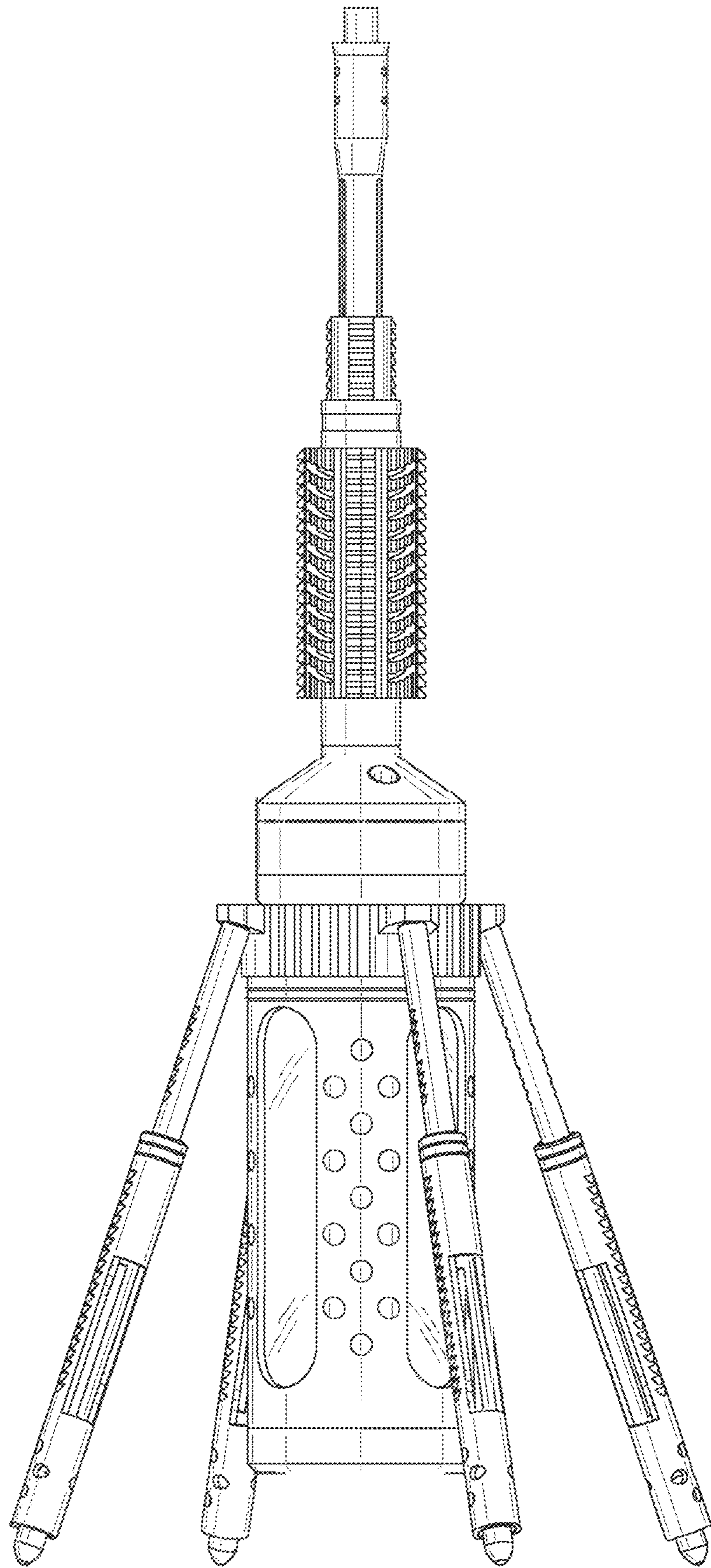


FIG. 5

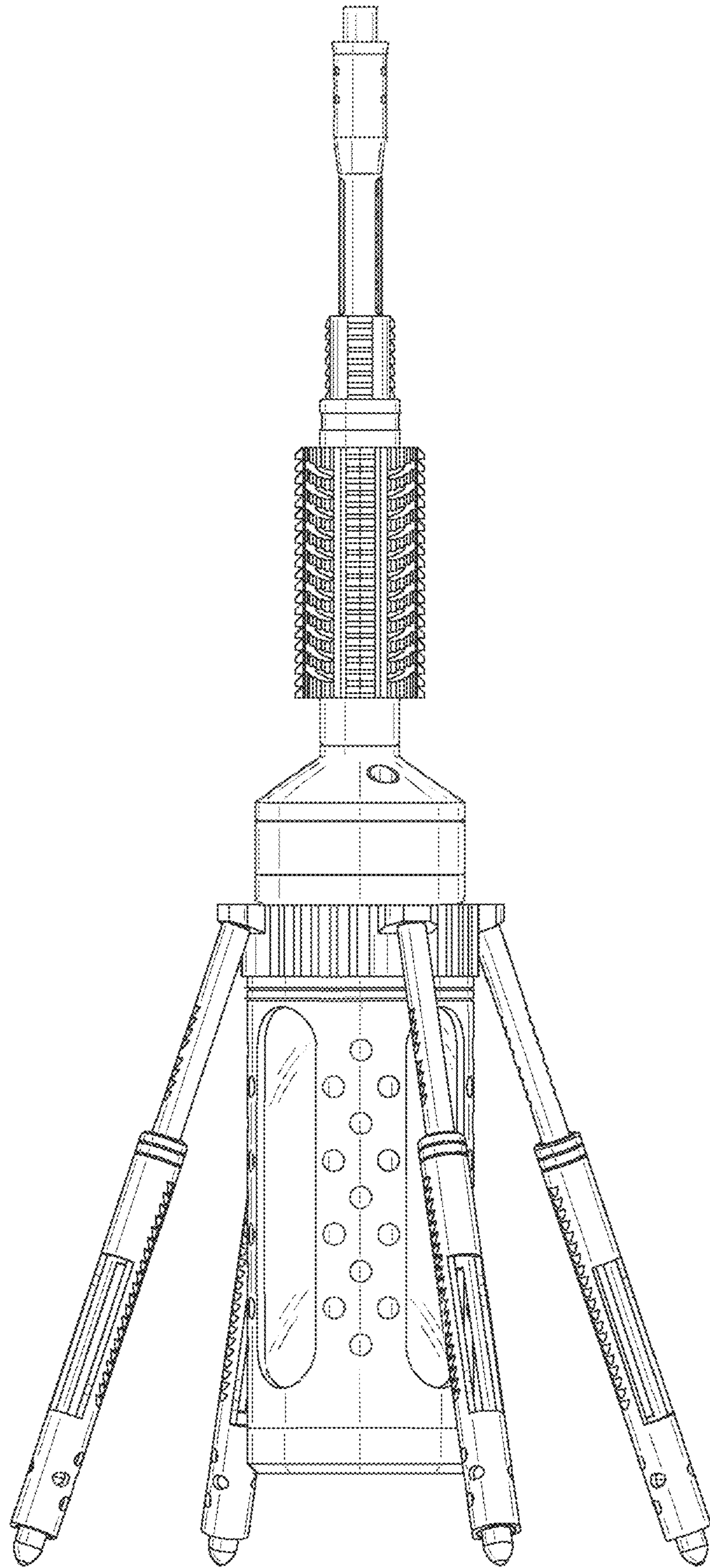


FIG. 6

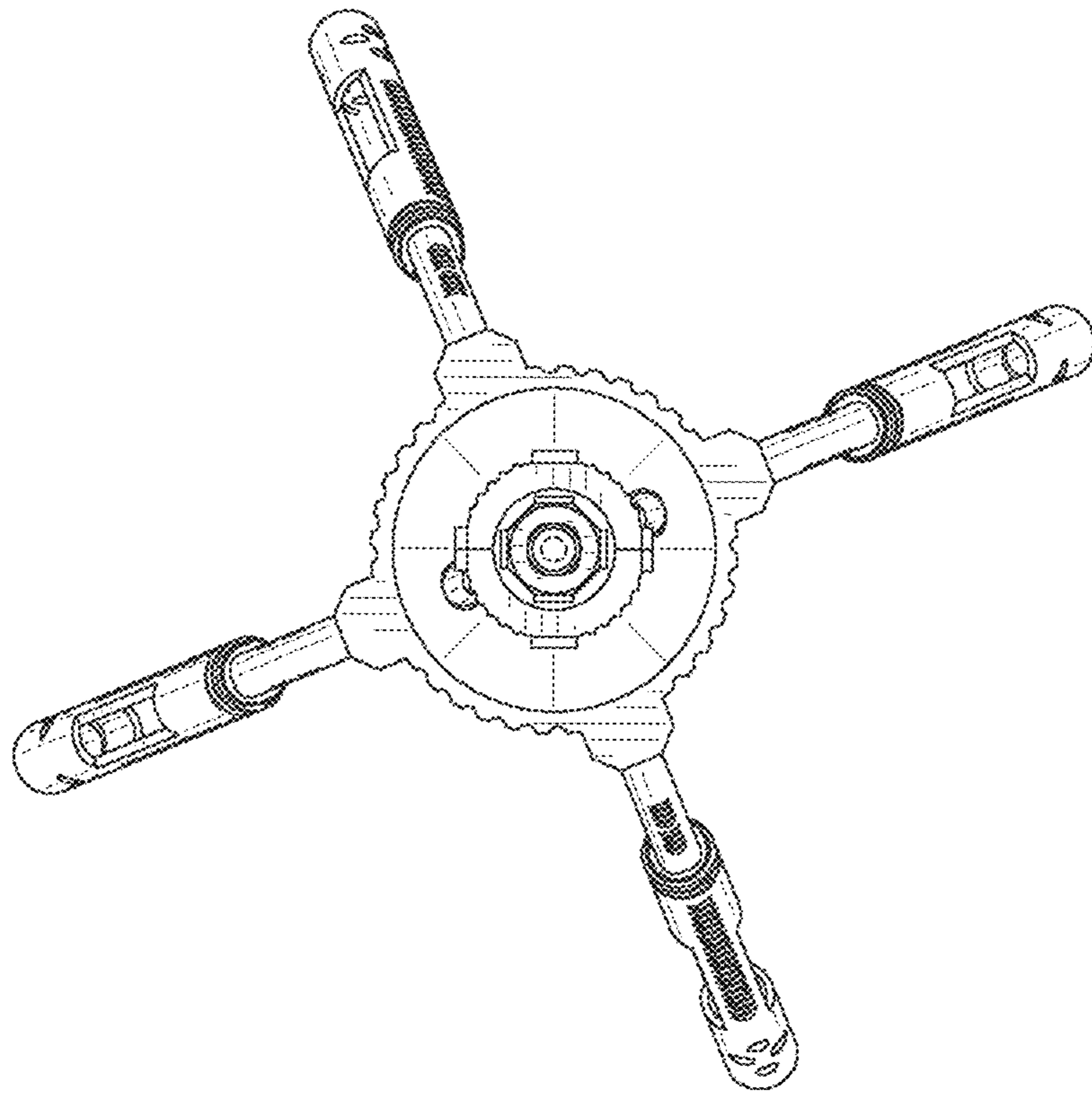


FIG. 7

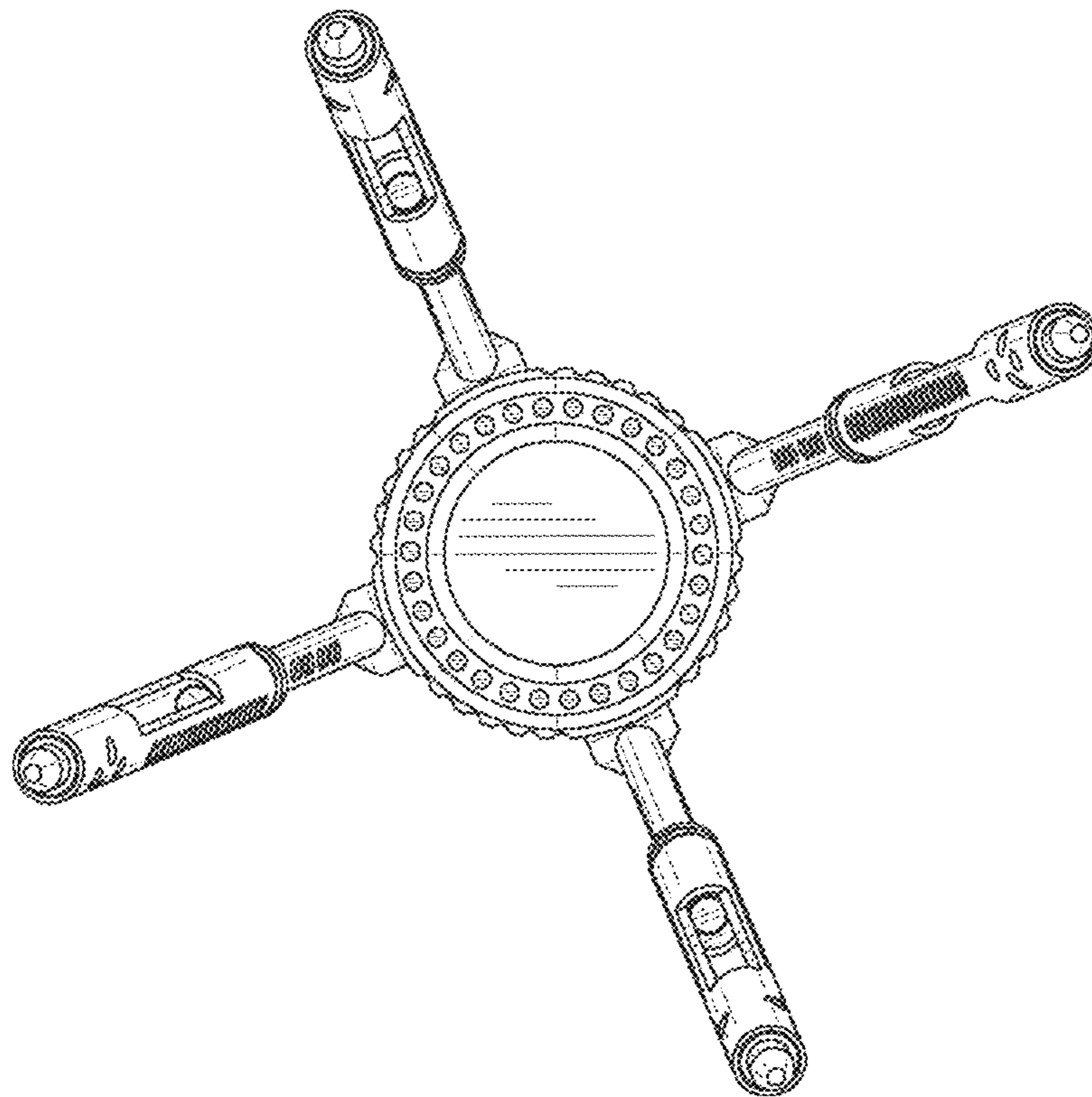


FIG. 8