



US00D895197S

(12) **United States Design Patent** (10) **Patent No.:** **US D895,197 S**
Cheung et al. (45) **Date of Patent:** **** Sep. 1, 2020**

- (54) **VAPORIZER DEVICE**
- (71) Applicant: **JUUL Labs, Inc.**, San Francisco, CA (US)
- (72) Inventors: **Brandon Cheung**, San Francisco, CA (US); **James Monsees**, San Francisco, CA (US); **Kevin Lomeli**, San Francisco, CA (US)
- (73) Assignee: **JUUL Labs, Inc.**, San Francisco, CA (US)
- (**) Term: **15 Years**
- (21) Appl. No.: **29/646,108**
- (22) Filed: **May 1, 2018**
- (51) **LOC (12) Cl.** **27-01**
- (52) **U.S. Cl.**
USPC **D27/101**
- (58) **Field of Classification Search**
USPC D27/100, 101, 106, 108, 162-172, 174, D27/175, 183, 185-194; D24/110, 110.5; 128/202.21, 203.12; 131/273, 274, 191, 131/328-330
CPC A24F 47/002; A24F 47/006; A24F 47/008; A61M 15/00; A61M 15/06
See application file for complete search history.

D825,102 S * 8/2018 Bowen D27/167
 D827,920 S * 9/2018 Fornarelli D27/101
 10,076,139 B2 * 9/2018 Monsees H05B 3/44
 (Continued)

FOREIGN PATENT DOCUMENTS

AU 3458541 5/2013
 AU 354858 4/2014
 (Continued)

OTHER PUBLICATIONS

<https://www.ejuiceconnect.com/Juul-Basic-Kit-by-Juul-p/juul-black-basic-kit.htm> (Apr. 4, 2018).
 (Continued)

Primary Examiner — Susan Bennett Hattan
Assistant Examiner — Rebecca Tsehaye
 (74) *Attorney, Agent, or Firm* — Mintz Levin Cohn Ferris Glovsky and Popeo, P.C.

(57) **CLAIM**

The ornamental design for a vaporizer device, as shown and described.

DESCRIPTION

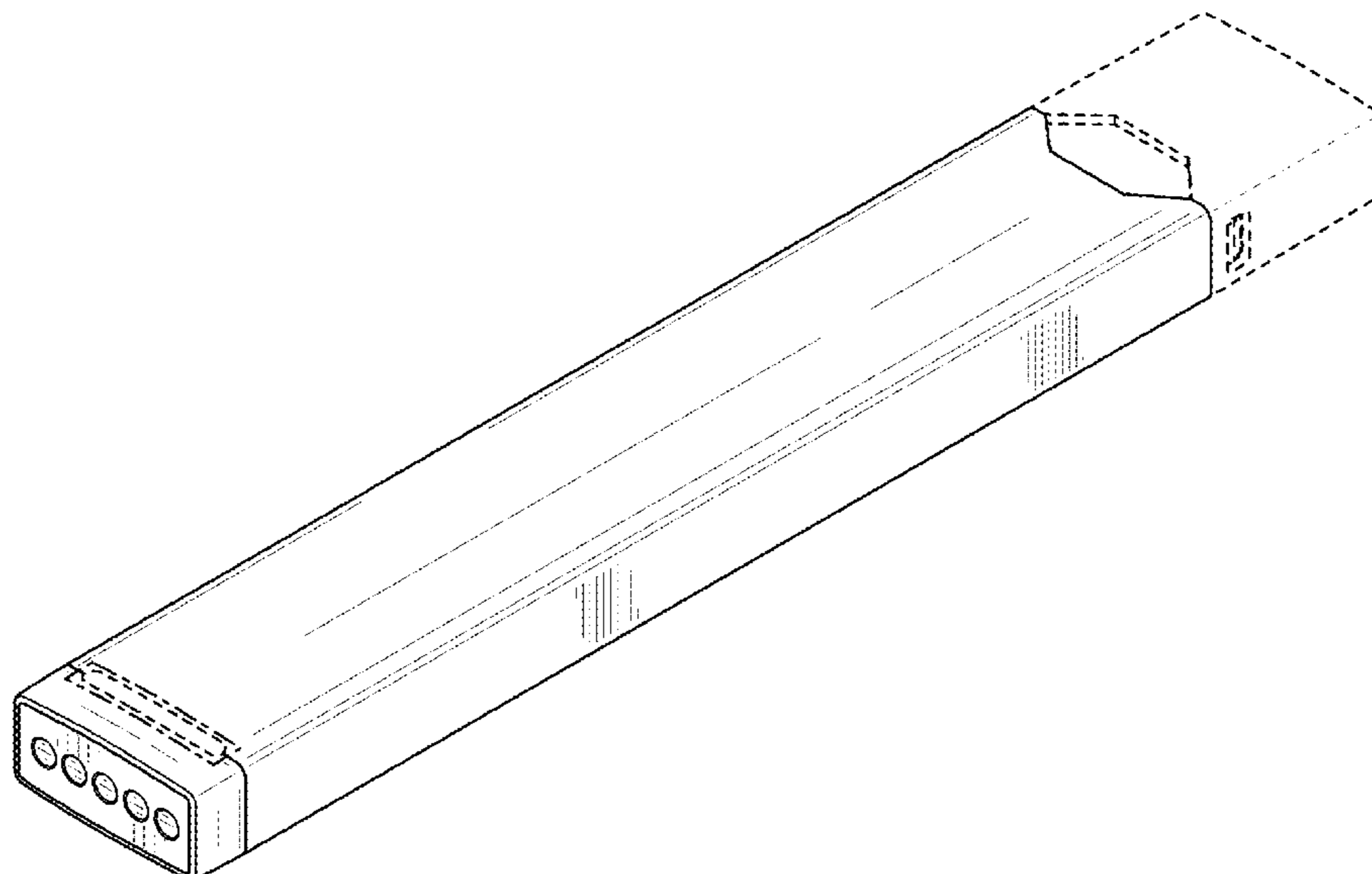
FIG. 1 is a bottom, front, and right side perspective view of a vaporizer device of our design;
 FIG. 2 is a top, rear, and right side perspective view thereof;
 FIG. 3 is a front view thereof;
 FIG. 4 is a rear view thereof;
 FIG. 5 is a left side view thereof;
 FIG. 6 is a right side view thereof;
 FIG. 7 is a top view thereof; and,
 FIG. 8 is a bottom view thereof.

The dash-dash broken lines illustrate portions of the vaporizer device that form no part of the claimed design.
 The dash-dot broken lines illustrate boundary lines that form no part of the claimed design. The areas within the dash-dot broken lines form no part of the claimed design.

1 Claim, 5 Drawing Sheets

(56) **References Cited**
U.S. PATENT DOCUMENTS

- D346,581 S * 5/1994 Tattari D13/103
- D532,927 S * 11/2006 Sann D27/101
- D750,320 S * 2/2016 Verleur A24F 47/008
D27/101
- D752,278 S 3/2016 Verleur et al.
- 9,781,953 B2 10/2017 Verleur et al.
- D815,345 S * 4/2018 Forecast D27/189
- D819,881 S * 6/2018 Qiu D27/101



(56)

References Cited

U.S. PATENT DOCUMENTS

D834,702	S *	11/2018	Evans	D24/110
D836,831	S *	12/2018	Cividi	D27/162
10,159,282	B2	12/2018	Monsees et al.		
D843,650	S *	3/2019	Verleur	D27/172
D844,229	S *	3/2019	Sherwood	D27/162
D849,996	S *	5/2019	Duque	D27/194
D851,830	S *	6/2019	Lomeli	D27/194
D861,975	S *	10/2019	Bowen	D27/162
D870,959	S *	12/2019	Leon Duque	D27/162
D877,971	S *	3/2020	Bowen	D27/101
2015/0305409	A1	10/2015	Verleur et al.		
2016/0366947	A1	12/2016	Monsees et al.		
2017/0071256	A1	3/2017	Verleur et al.		
2017/0258133	A1	9/2017	Ampolini et al.		
2018/0077967	A1	3/2018	Hatton et al.		
2018/0153220	A1	6/2018	Verleur et al.		
2020/0000146	A1*	1/2020	Anderson	H01R 43/26

FOREIGN PATENT DOCUMENTS

CN	303103390	2/2015
CN	304067430	3/2017
ID	A00201800286	2/2018
ID	A00201800289	2/2018
ID	A00201802176	8/2018
ID	A00201802180	8/2018
JP	D1463338	3/2013
TW	201805033 A	2/2018
TW	201815301 A	5/2018

OTHER PUBLICATIONS

<http://www>,warunalistrik.conVimages/rokok%20elektrik%20eksklusiffa Wag; Aug. 1, 2012; Rokok Elektrik (E Hcalth Cigarette) cidw Blog.

<https://encrypted-> tbnO.gstatic.com/images?q=tbn:ANd9GcTsMxeFuSA9zsa6PjN7wEx <http://tbnO.gstatic.com/images?q=tbn:ANd9GcTsMxeFuSA9zsa6PjN7wEx> qmRsvEdcF02Gw8G2111hmoVt0X_u0; Jul. 23, 2018; JUUL Starter Kit w/ Pods.

<https://encrypted-tbnO.gstatic.com/images?g=tbnANd9GcT-gGMXBhOsgqfy1bSP_Ilkky4ib-dGIBtqa1t9uAXah6U1XWB4;>gGMXBhOsgqfy1bSP_Ilkky4ib-dGIBtqa1t9uAXah6U1XWB4; Oct. 7, 2018, 2; JUUL Starter Kit.

<https://images-na.sskimages-> amazon.comfurnages/1/511q0vRQFZL.jpg; Mar. 26, 2018; Amazon.com: <http://Amazon.com:> Original Skin Decal for PAX JUUL (Wrap Only, Device Is Not Included)—Protective Sticker (Vans): Cell Phones & Accessories.

<https://tshop.r10s.com/184/e44/19a9/ee14/706f/21f8/510>c/1100e889a554ab3a295840.jpg; Mar. 6, 2018; Skin for Pax JUUL—Red Cigarette Packl MightySkins Protective, Durable, and Unique Vinyl Decal wrap covert Easy to Apply, Remove, and Change Styles.

https://encrypted-tbnO.gstatic.conVimages?q=tbn:ANId9GcRXGQ &XCo4x 7J45i6Y7Nvc03mbaEjTDiDreDL0GKSAkO-Haw1VVwA; Mar. 23, 2018; Supreme Clouds -JUUL Skin.

https://images-na_sskimages-amazon.com/images/1/41nmlbGfvFLjpg; <http://amazon.com/images/1/41nmlbGfvFLjpg;> Mar. 10, 2018; JUUL Decal by WrapBeasts.com <http://WrapBeasts.com> | JUUL Skin | JUUL Wrap | Supreme X Gucci Snake: Amazon.ca: Cell Phones & Accessories.

https://m.post.naver.com/viewer/postView.nhn?volumeNo=11914904 &memberNo=36192990& vType=Vertical (Jan. 08, 2018).

“Is that a flash drive or an e-cig? What Central NY parents should know about, JUUL”, https://www.syracuse.com/news/2018/03/is_that_a_flash_drive_or_an_e-cig_what_central_ny_parents_should_know_ab out_juul_1.html.

* cited by examiner

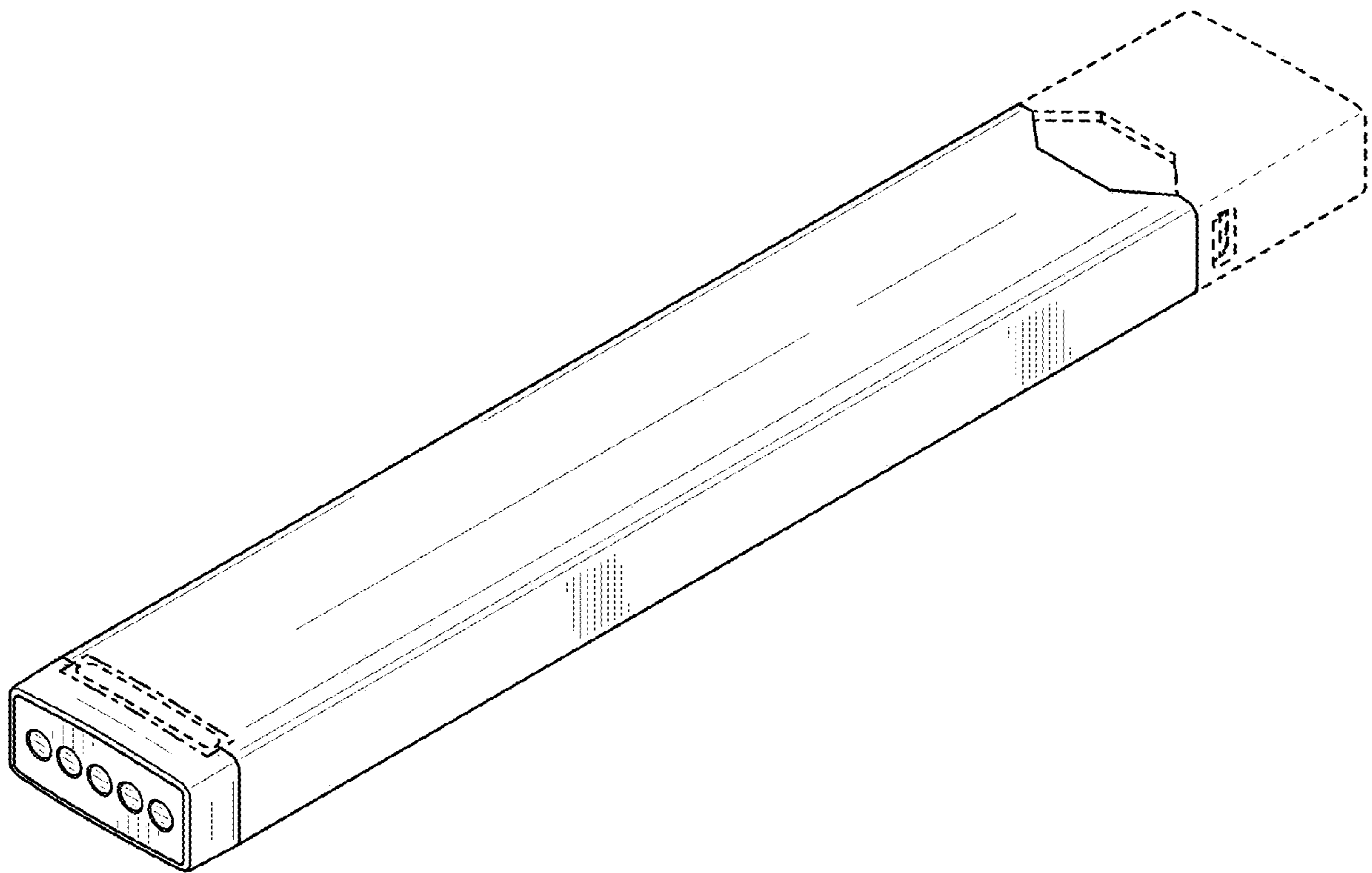


FIG. 1

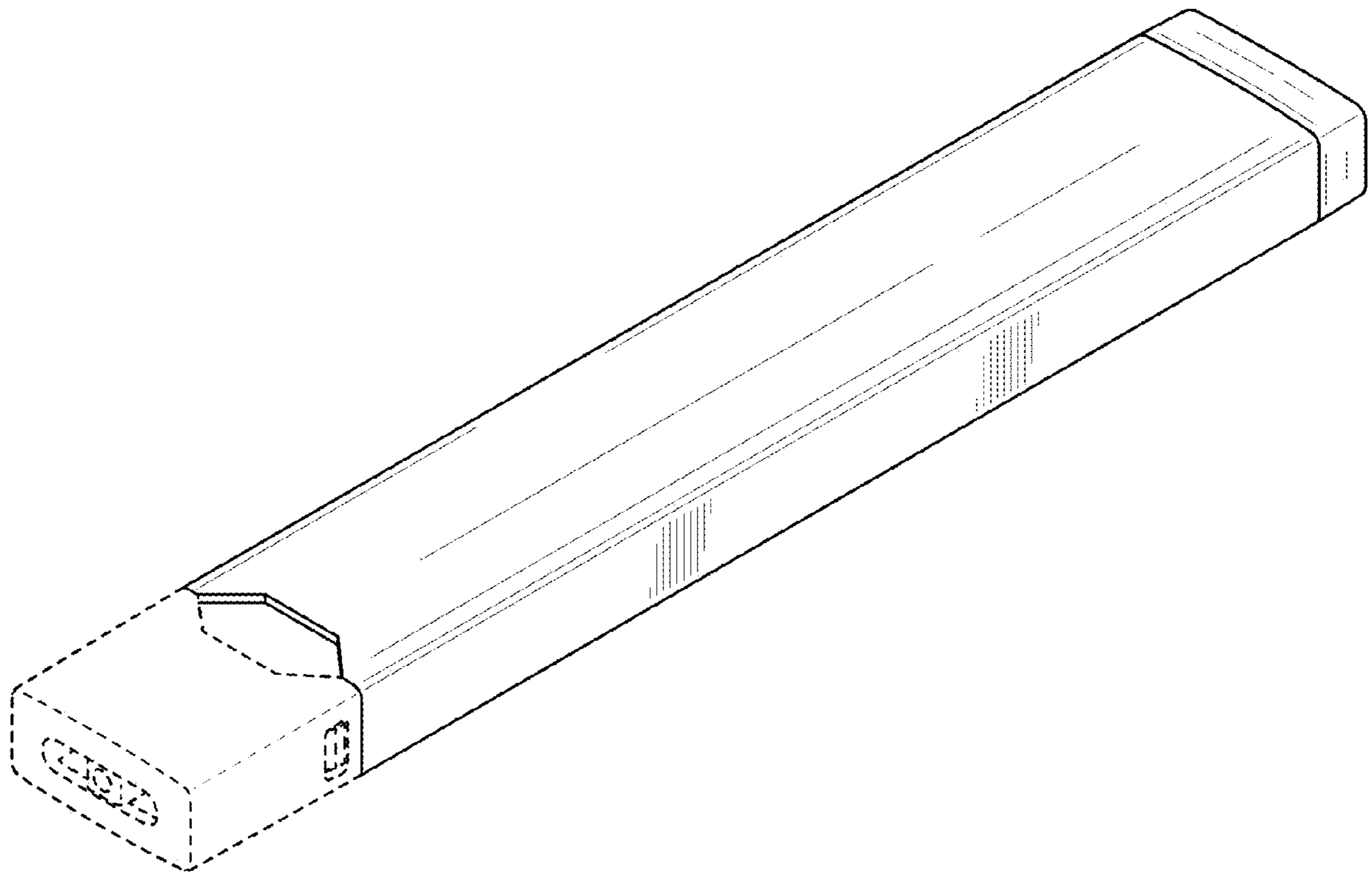


FIG. 2

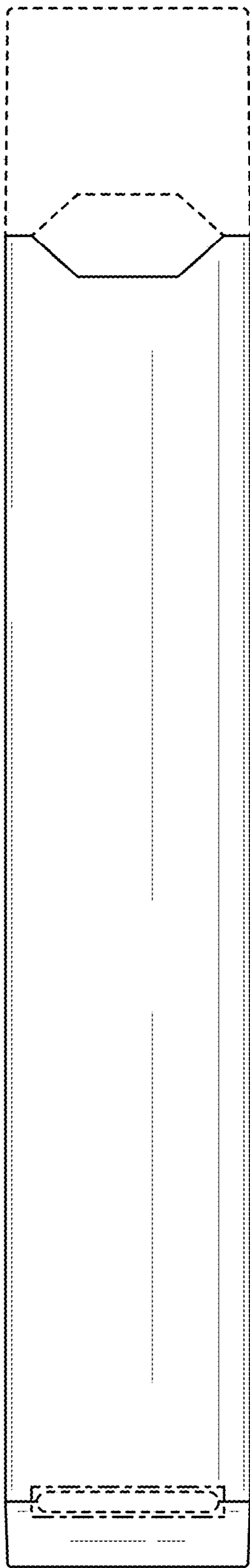


FIG. 3

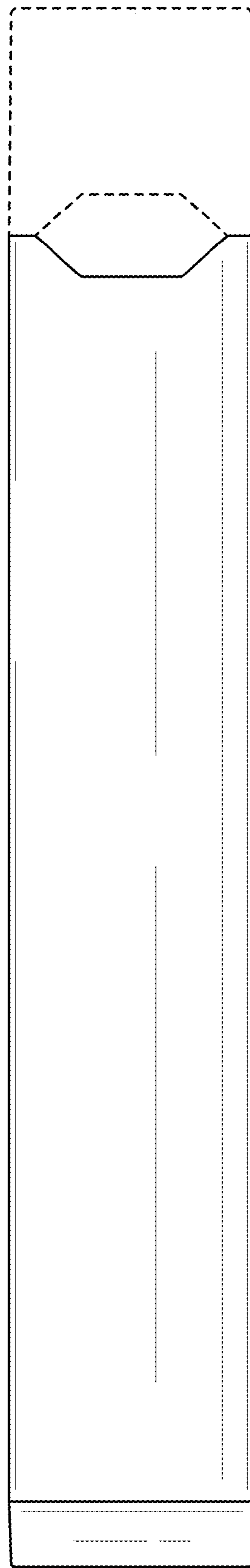


FIG. 4

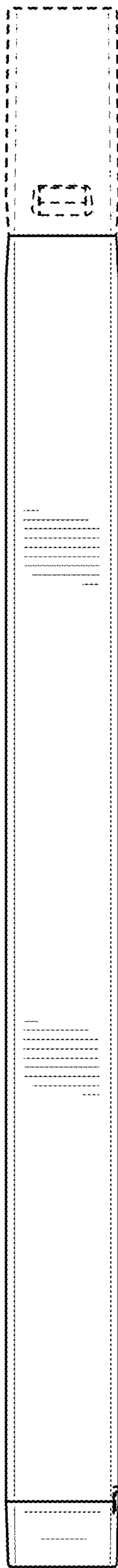


FIG. 5

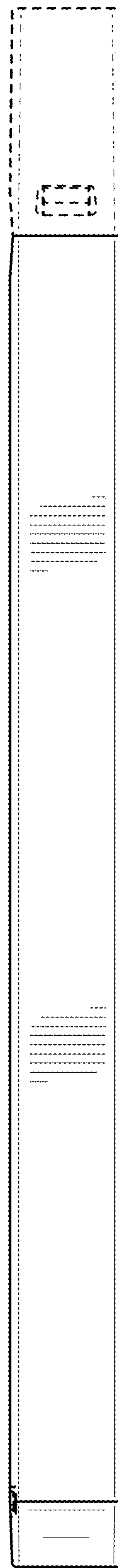


FIG. 6

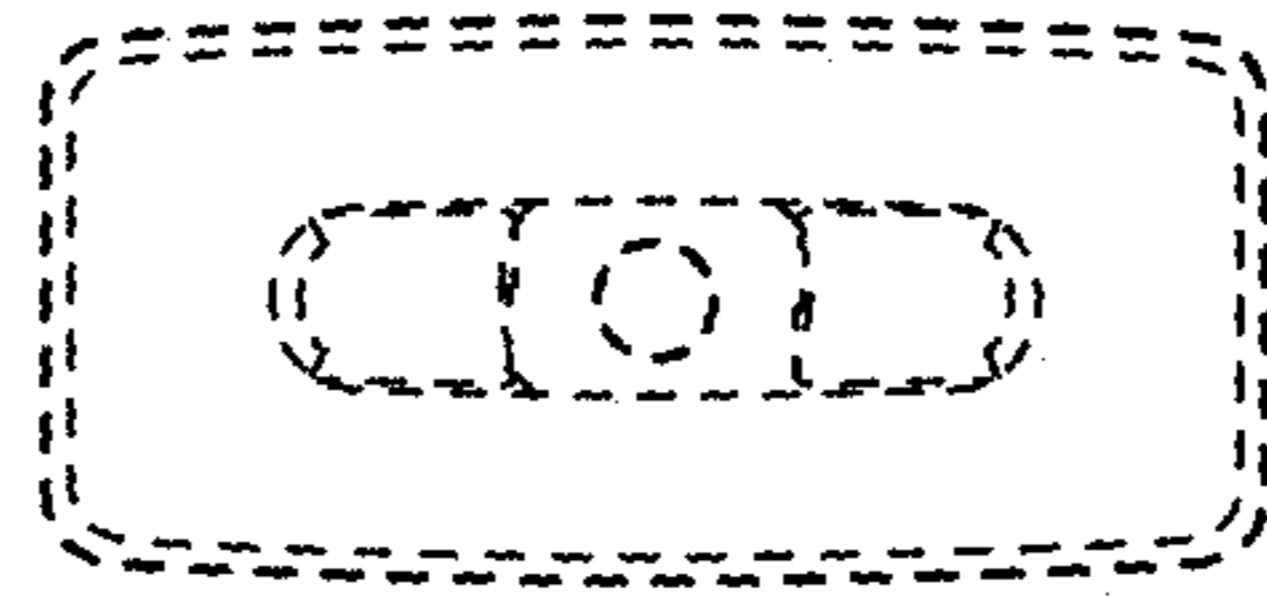


FIG. 7

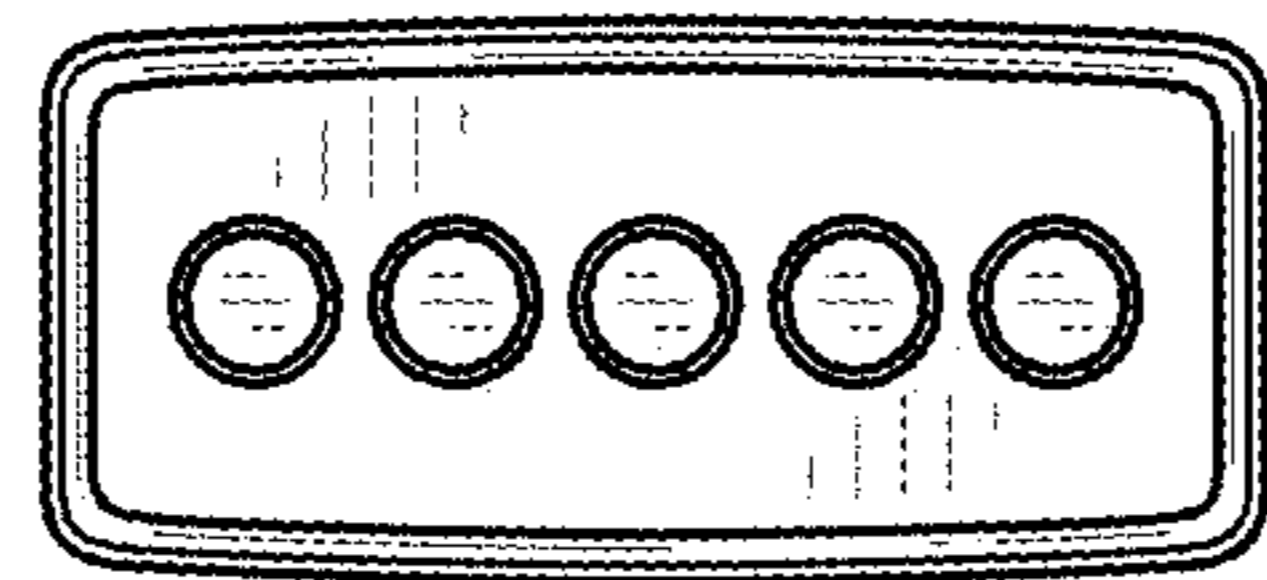


FIG. 8