



US00D895194S

(12) **United States Design Patent** (10) **Patent No.:** **US D895,194 S**
Bou Harb et al. (45) **Date of Patent:** **** Sep. 1, 2020**

(54) **LUMINAIRE STRUCTURE**

DESCRIPTION

(71) Applicant: **AXIS LIGHTING INC.**, Lasalle (CA)

(72) Inventors: **Joseph Bou Harb**, Lasalle (CA);
Suzanne Massoud, Lasalle (CA);
Howard Yaphe, Lasalle (CA); **Andrew Miles**, Lasalle (CA); **Jean Gagné**, Lasalle (CA)

(73) Assignee: **Axis Lighting Inc.**, LaSalle (CA)

(**) Term: **15 Years**

(21) Appl. No.: **29/615,178**

(22) Filed: **Aug. 26, 2017**

(51) **LOC (12) Cl.** **26-03**

(52) **U.S. Cl.**
USPC **D26/113**

(58) **Field of Classification Search**
USPC D26/24, 63, 71, 72, 74-77, 80, 83, 88,
D26/113, 118-120, 122, 138, 144
(Continued)

(56) **References Cited**

U.S. PATENT DOCUMENTS

D97,213 S * 10/1935 Stone D26/83
D150,527 S * 8/1948 Wright D26/119
(Continued)

OTHER PUBLICATIONS

GE, LED Luminaires, www.gelighting.com/indoorsolutions (Apr. 2015).

(Continued)

Primary Examiner — Brian N. Vinson

(74) *Attorney, Agent, or Firm* — Barnes & Thornburg LLP

(57) **CLAIM**

The ornamental design for a luminaire structure, as shown and described.

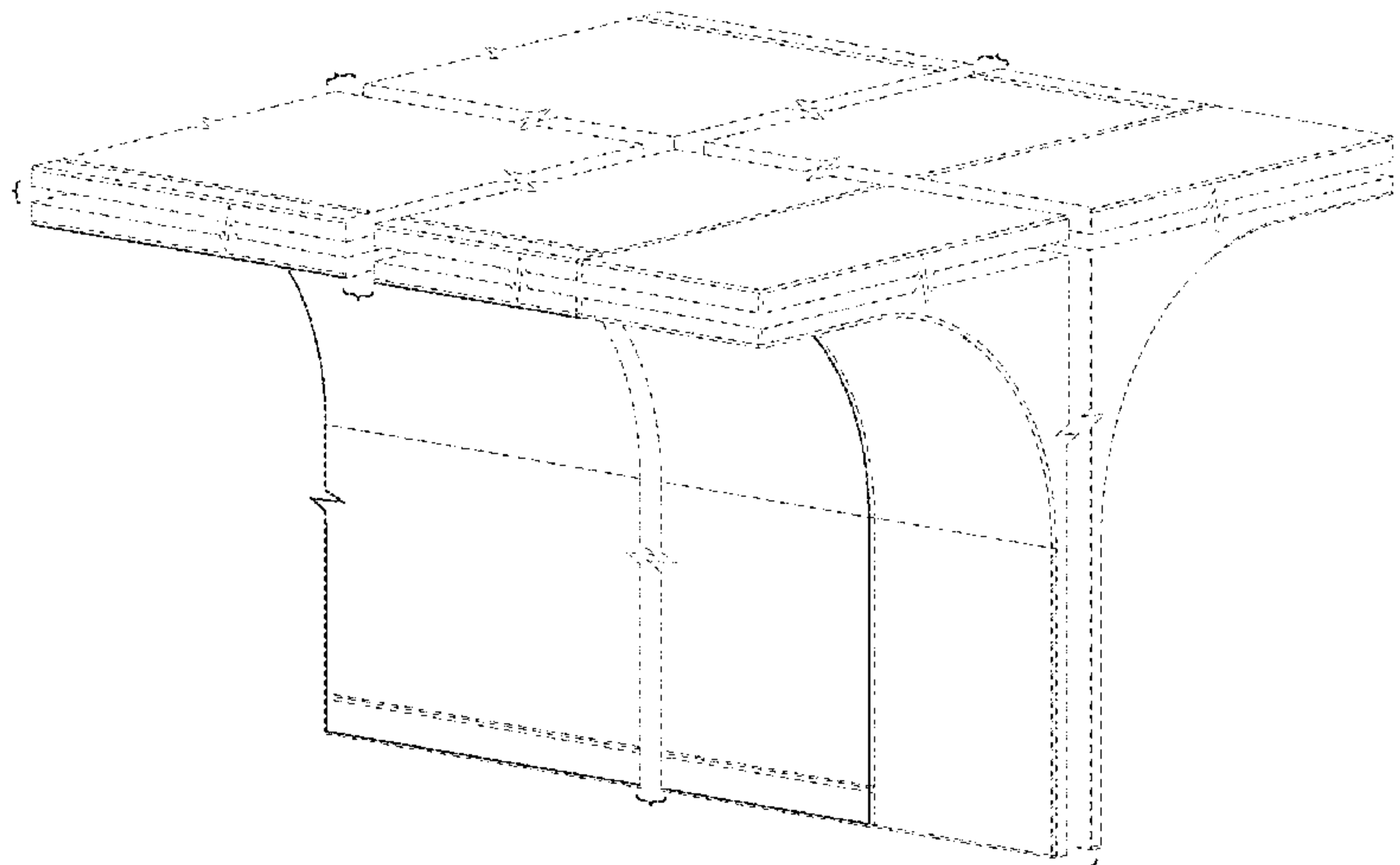
FIG. 1 is a left hand perspective view as viewed from above of the luminaire structure showing our design;
FIG. 2 is a right hand perspective view as viewed from below thereof;
FIG. 3 is a front elevational view thereof;
FIG. 4 is a left hand side elevational view thereof, the right hand side elevation being a mirror of this view and therefore omitted;
FIG. 5 is a top plan view thereof;
FIG. 6 is a bottom plan view thereof;
FIG. 7 is a left hand perspective view as viewed from above of another embodiment of the luminaire structure of our design;
FIG. 8 is a right hand perspective view as viewed from below thereof;
FIG. 9 is a front elevational view thereof;
FIG. 10 is a left hand side elevational view thereof, the right hand side elevation being a mirror of this view and therefore omitted;
FIG. 11 is a top plan view thereof; and,
FIG. 12 is a bottom plan view thereof.

The broken lines in the drawings are directed to environment and are for illustrative purposes and form no part of the claimed design.

The luminaire structure is shown in various figures with symbolic break lines along its dimensions. The appearance of any portion of the article between the break lines does not form part of the design. A separation and a bracket is used to indicate that, for ease of illustration, the specific dimension of the article associated with the separation and bracket is not claimed and is to be broadly interpreted.

The luminaire structure is not limited to the scale shown herein. The claimed subject matter depicted in the drawings is not limited by the description given of the embodiment.

1 Claim, 8 Drawing Sheets



(58) **Field of Classification Search**

CPC . A47F 3/001; H05B 33/0845; H05B 33/0842;
 G02B 6/0083; F21K 9/00; F21K 9/135;
 F21K 9/27; F21K 9/64; A61L 9/20; A61B
 90/30; B60Q 1/2696; B60Q 1/2615; F21S
 8/032; F21S 8/033; F21S 8/00; F21S
 8/086; F21S 8/043; F21S 8/046; F21S
 8/04; F21S 8/02; F21S 8/026; F21S
 48/215; F21S 2/005; F21S 2/00; F21S
 4/00; F21V 17/10; F21V 29/74; F21V
 29/83; F21V 29/76; F21V 29/505; F21V
 15/01; F21V 23/026; F21V 23/003; F21V
 7/09; F21V 7/005; F21V 5/01; F21V
 5/04; F21V 21/005; F21V 3/0445; F21V
 1/22; F23D 91/02

See application file for complete search history.

(56) **References Cited**

U.S. PATENT DOCUMENTS

2,700,100 A * 1/1955 Wissinger F23D 91/02
 362/320
 D206,286 S 11/1966 Ostyn
 5,452,187 A * 9/1995 Belfer F21S 4/20
 362/221
 D463,061 S * 9/2002 Ludwig D26/118
 6,454,431 B1 * 9/2002 Grossman F21S 2/00
 362/150
 D521,676 S 5/2006 Richner
 7,293,895 B2 * 11/2007 Grossman F21S 2/00
 174/110 R
 D565,786 S * 4/2008 Willmorth D26/138
 D569,027 S 5/2008 Hakamada

D591,444 S * 4/2009 Beno D26/88
 D624,225 S * 9/2010 Federico D26/63
 D624,231 S 9/2010 Karim
 D662,245 S 6/2012 Steffy
 D695,443 S 12/2013 Kaule
 D701,343 S 3/2014 Ng
 D731,103 S 6/2015 Wilke
 D735,928 S * 8/2015 Hawkins D26/120
 D764,095 S * 8/2016 Clark D26/88
 D776,855 S 1/2017 Rashid
 D785,851 S * 5/2017 Sonneman D26/118
 D796,724 S * 9/2017 Sonneman D26/120
 D797,988 S * 9/2017 Sonneman D26/138
 D806,927 S 1/2018 Rashid
 D808,059 S 1/2018 Li
 D813,432 S 3/2018 Koshiba
 D825,819 S 8/2018 Sonneman
 D826,450 S * 8/2018 Clark D26/80
 D826,462 S 8/2018 Sonneman
 D845,538 S * 4/2019 Vasylyev D26/119
 D865,263 S * 10/2019 Amato D26/144
 2006/0146531 A1 7/2006 Reo
 2015/0300605 A1 * 10/2015 Clark F21V 1/22
 362/367
 2016/0245488 A1 * 8/2016 Clark F21S 2/00

OTHER PUBLICATIONS

GE, Lumination LED Luminaires, Linear Suspended Fixture, www.
 currentbyge.com (Sep. 22, 2016).
 Eaton Corp., Corelite Divide—DWI (Jun. 14, 2017).
 Eaton Corp., Converge LED Architectural Luminaires, Neo-Ray
 (Jan. 2017).
 Eaton Corp., SkyBar High Bay LED Luminaire (Jul. 28, 2015).
 Vode Lighting, ZipThree Wall Mount (2017).

* cited by examiner

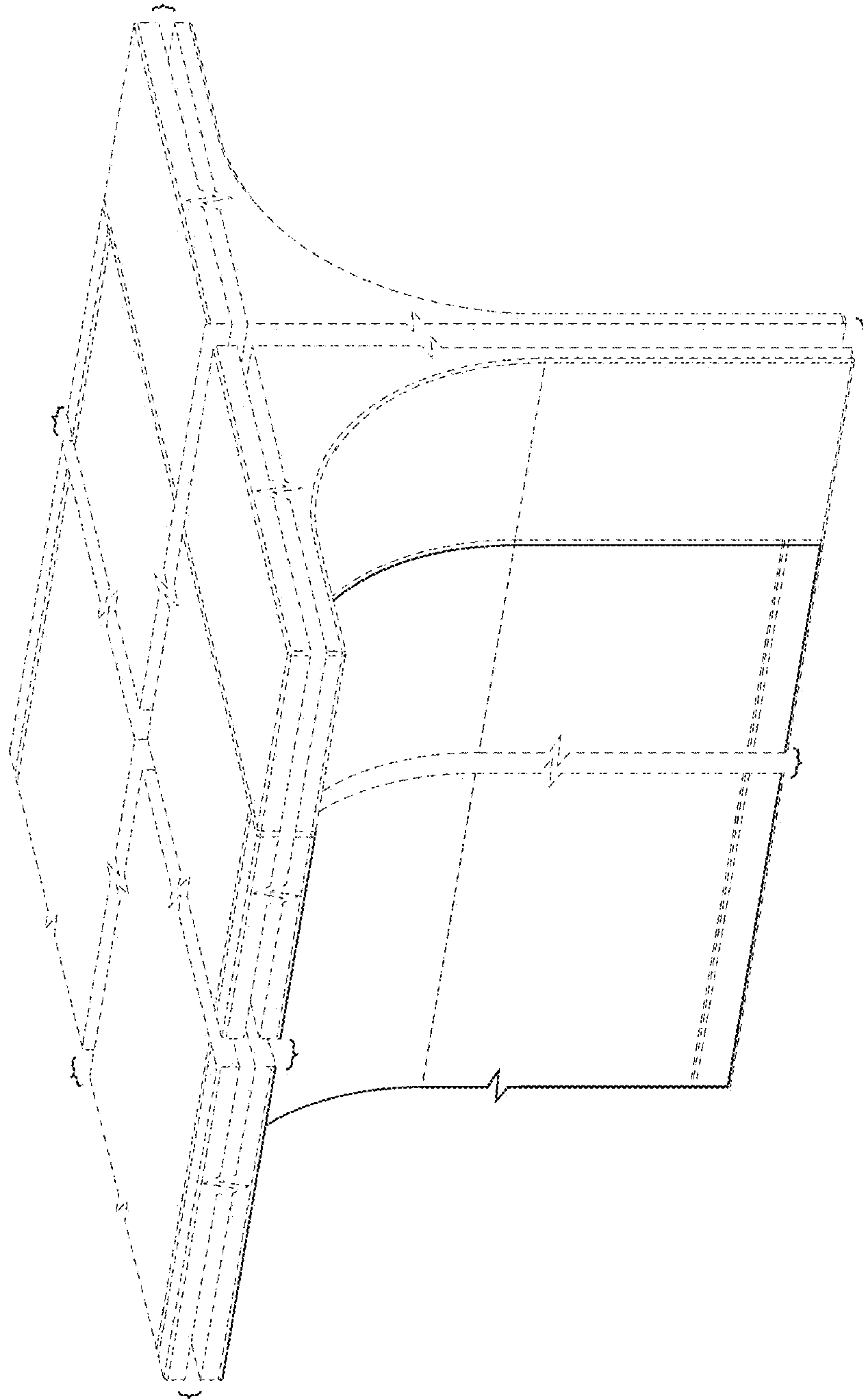


FIG. 1

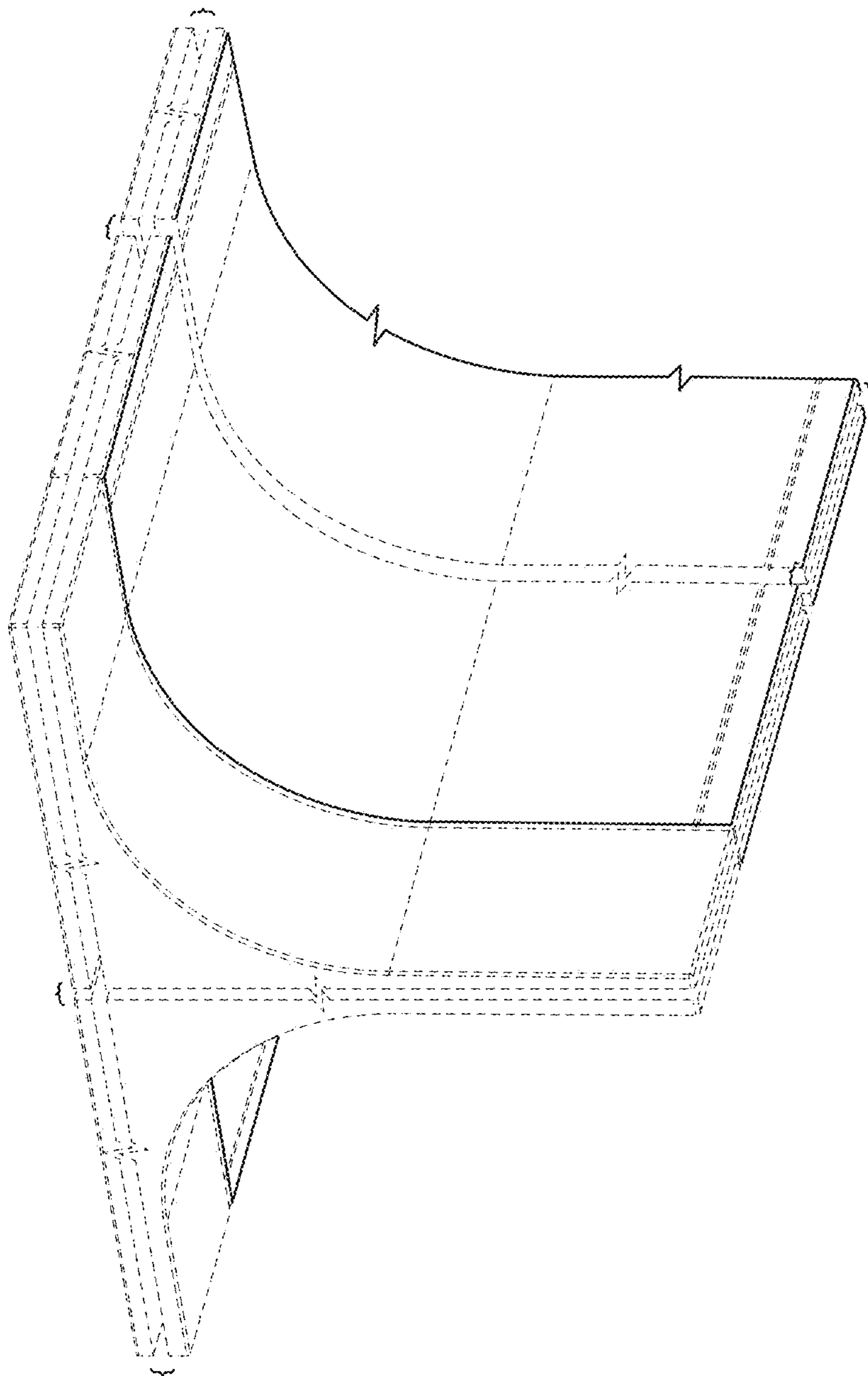


FIG. 2

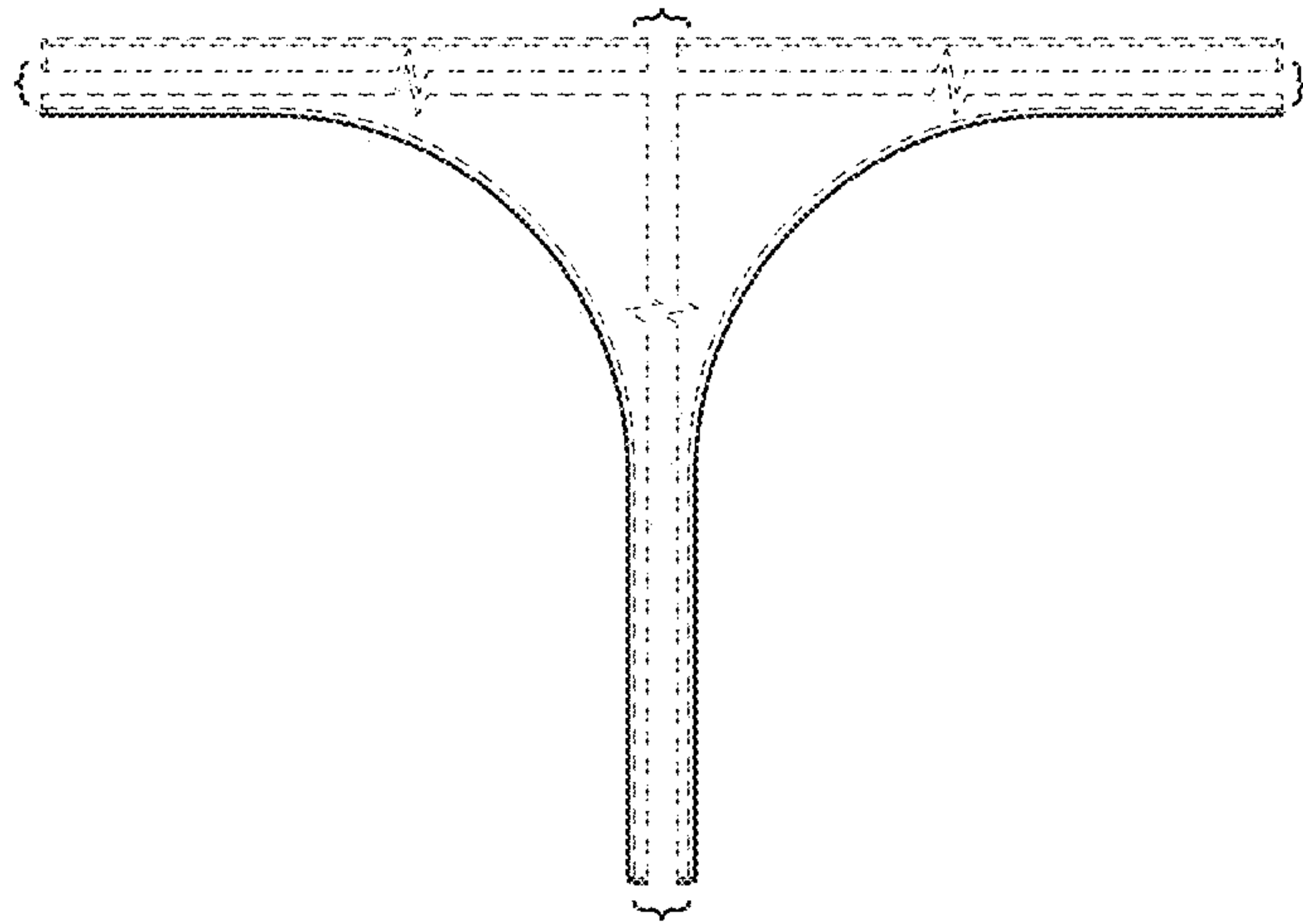


FIG. 3

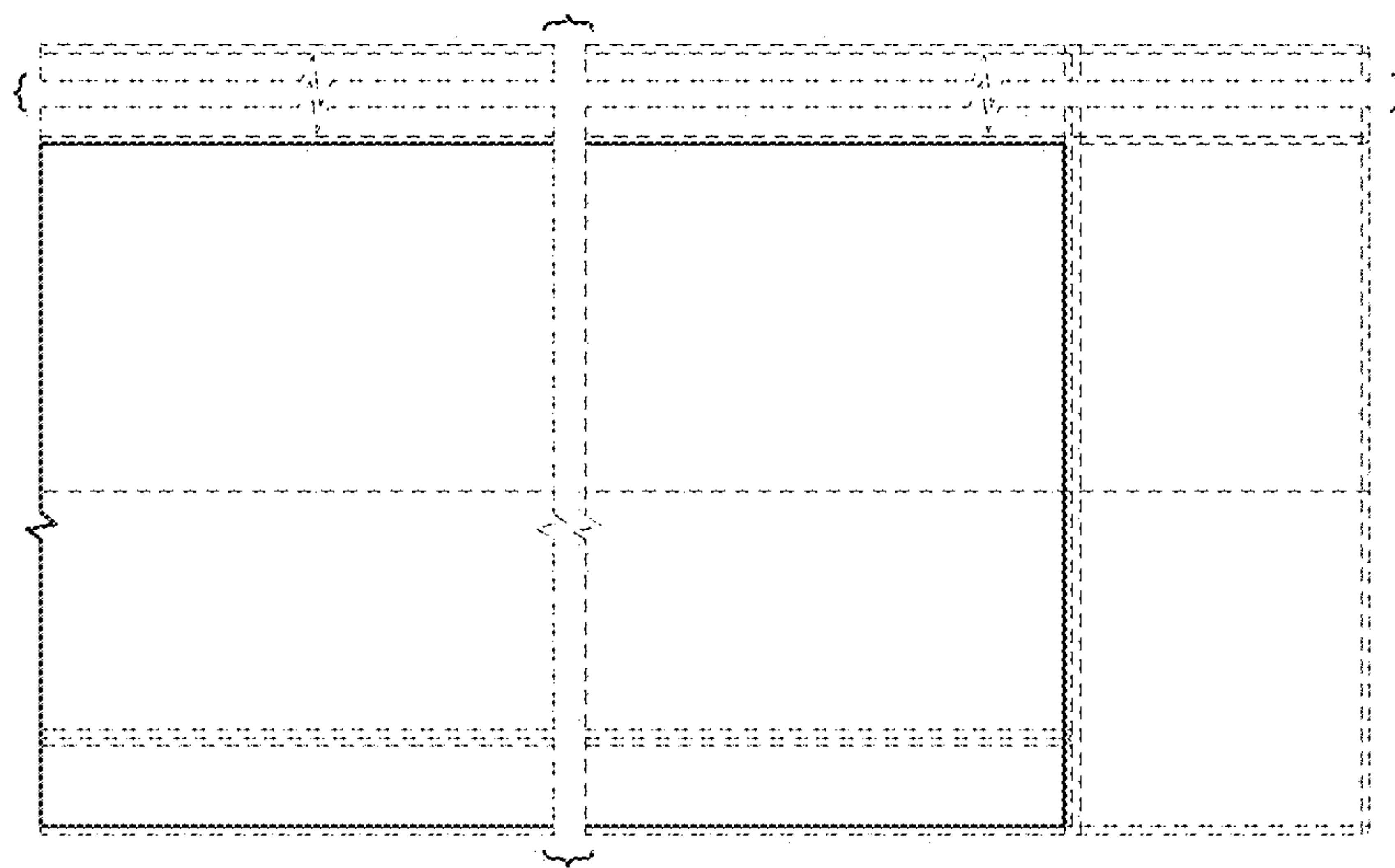


FIG. 4

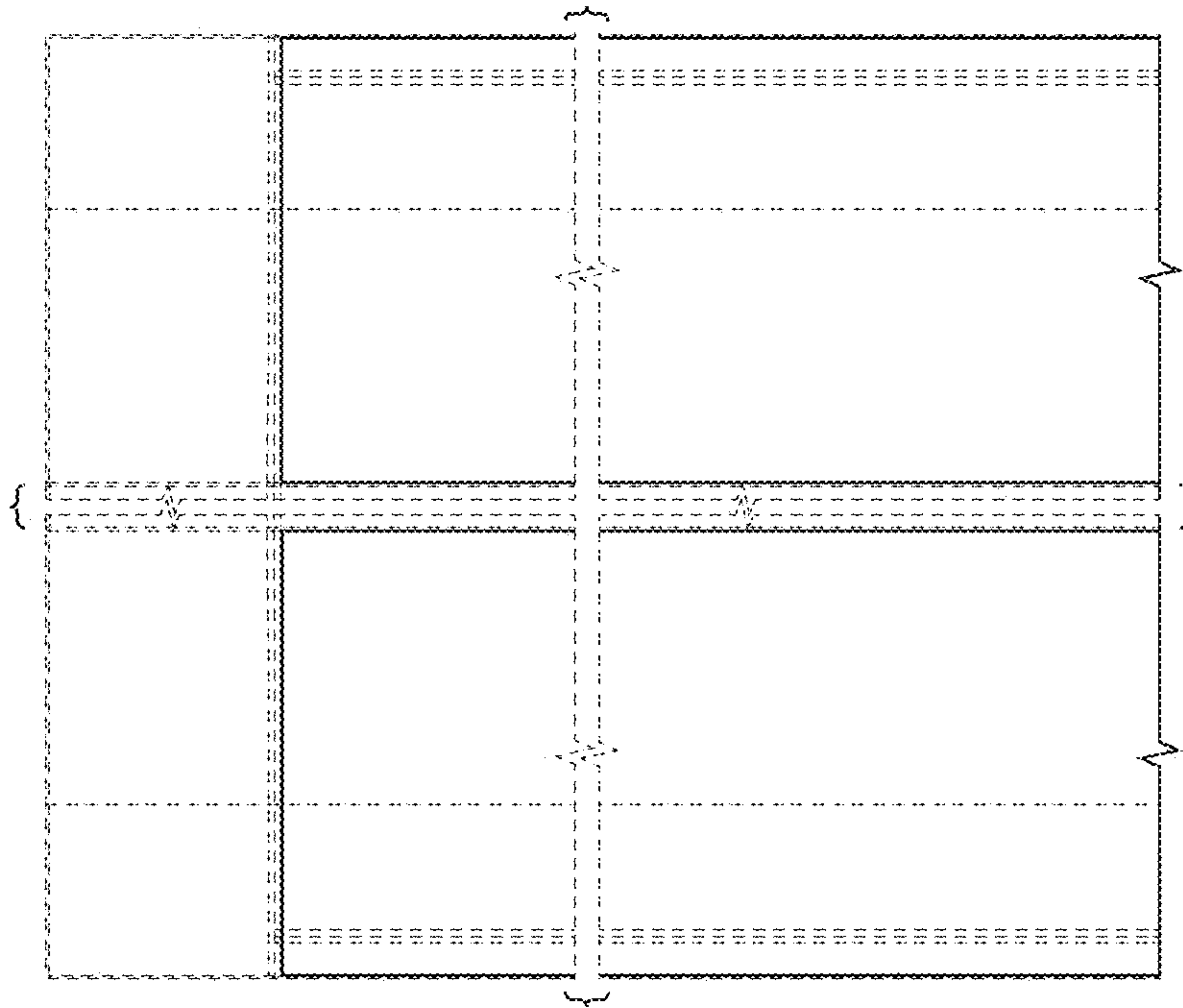


FIG. 5

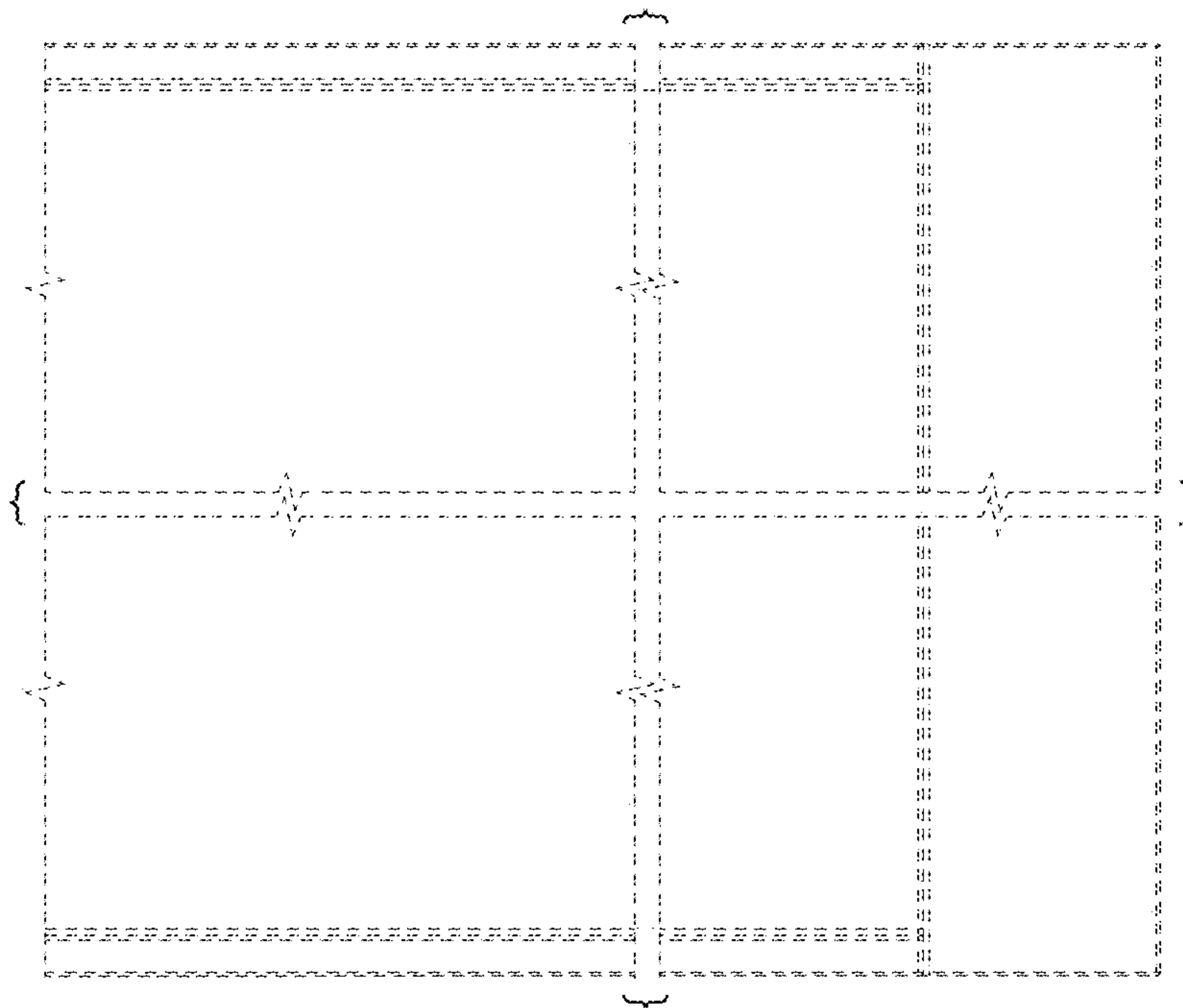


FIG. 6

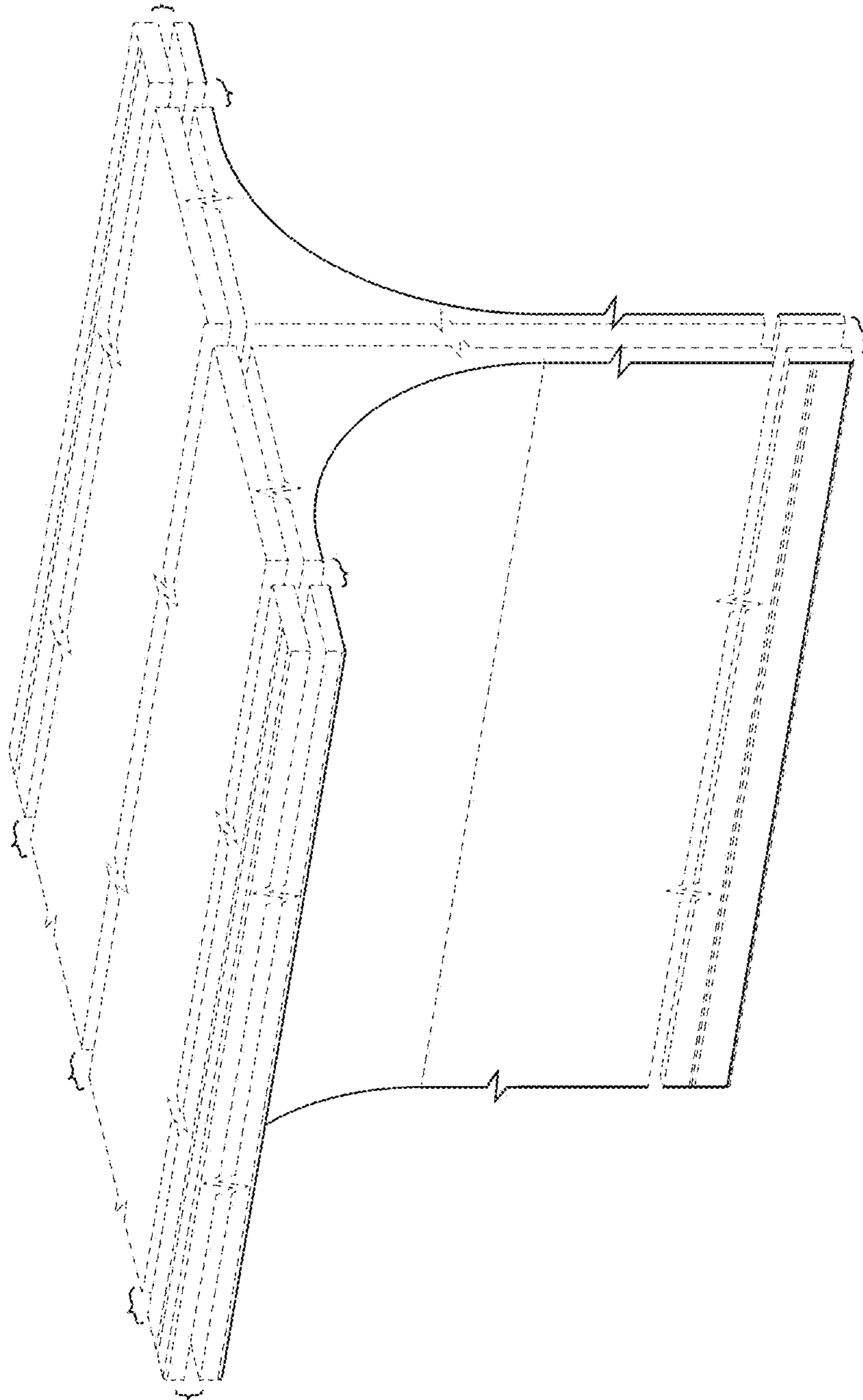


FIG. 7

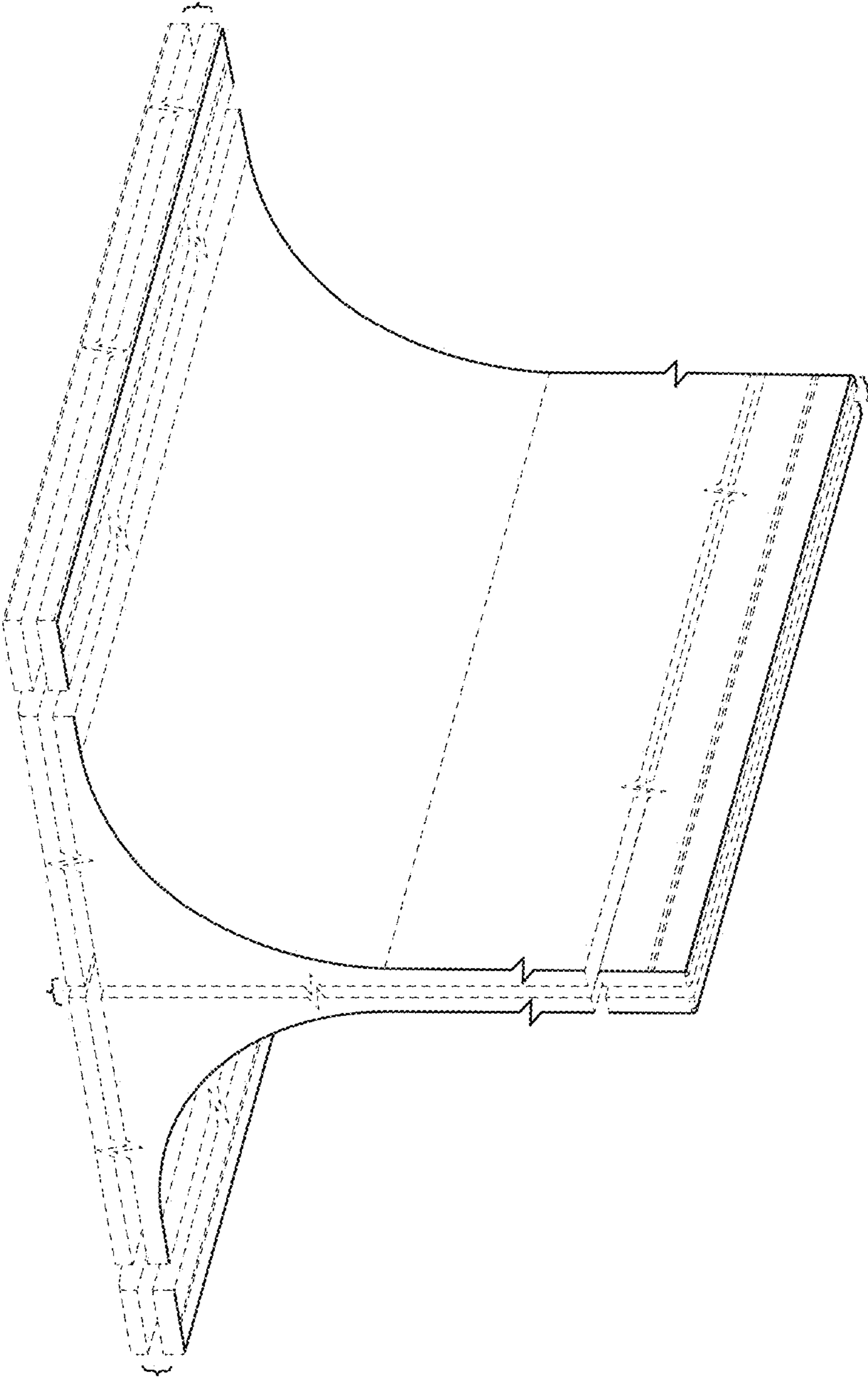


FIG. 8

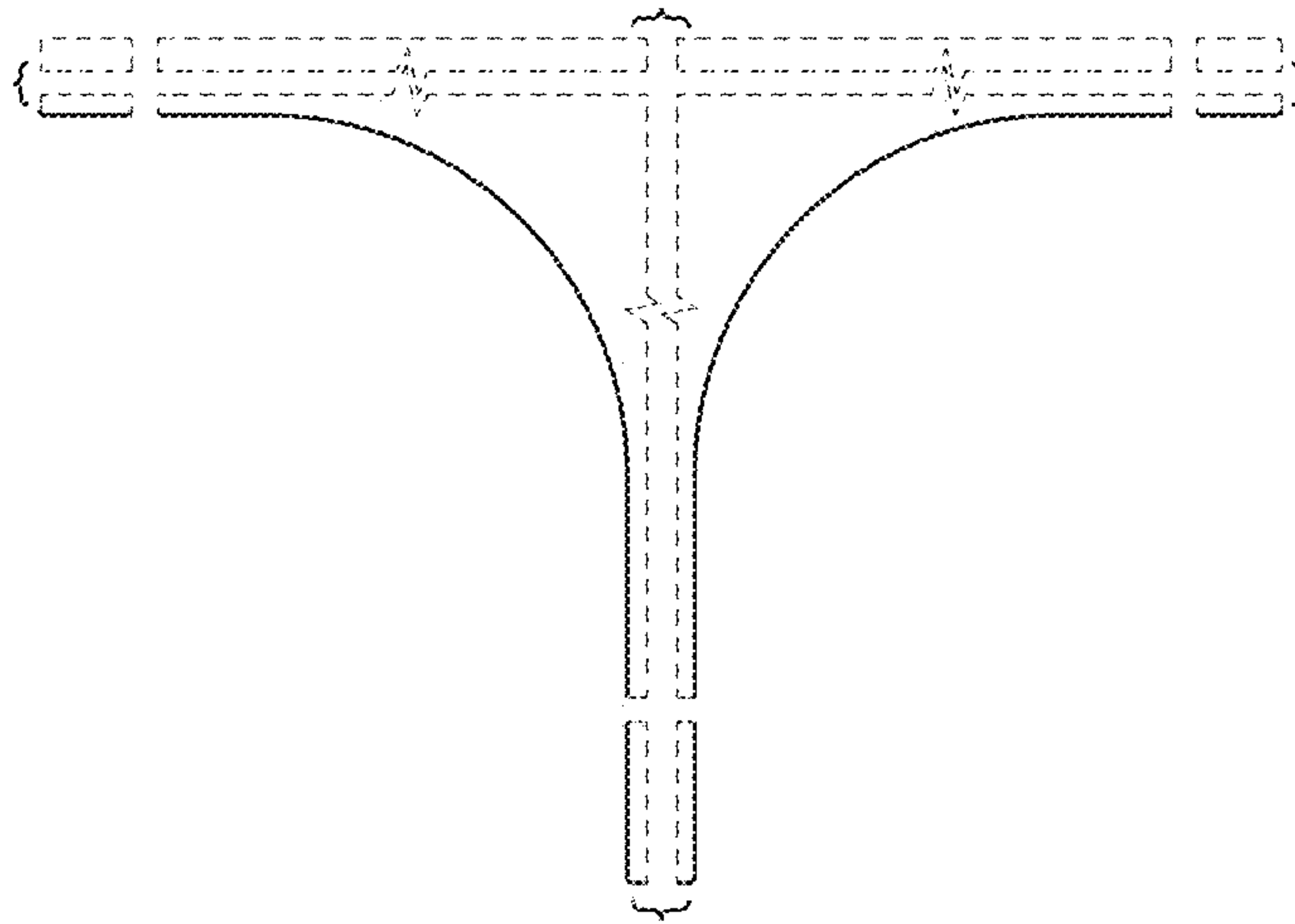


FIG. 9

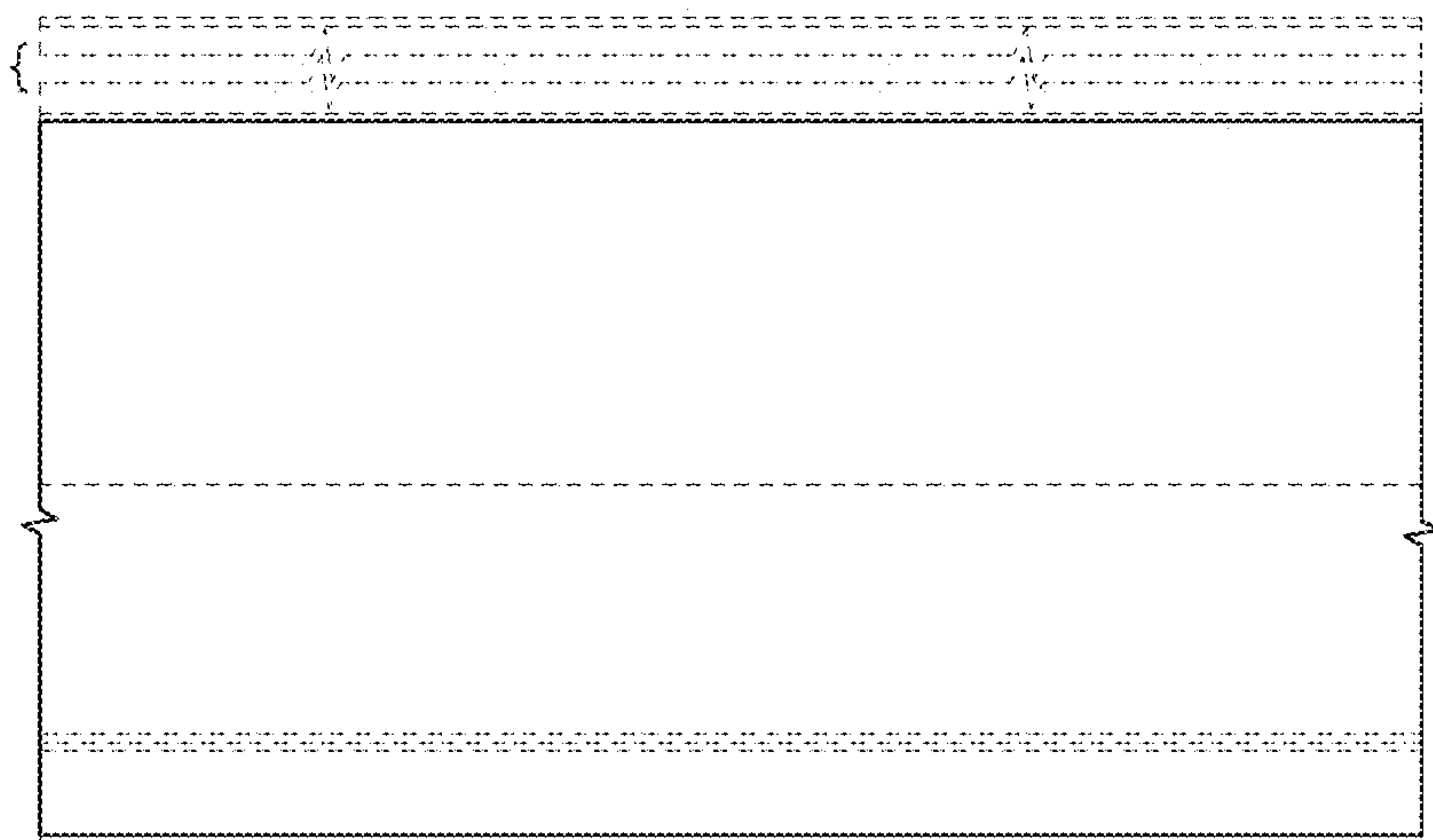


FIG. 10



FIG. 12

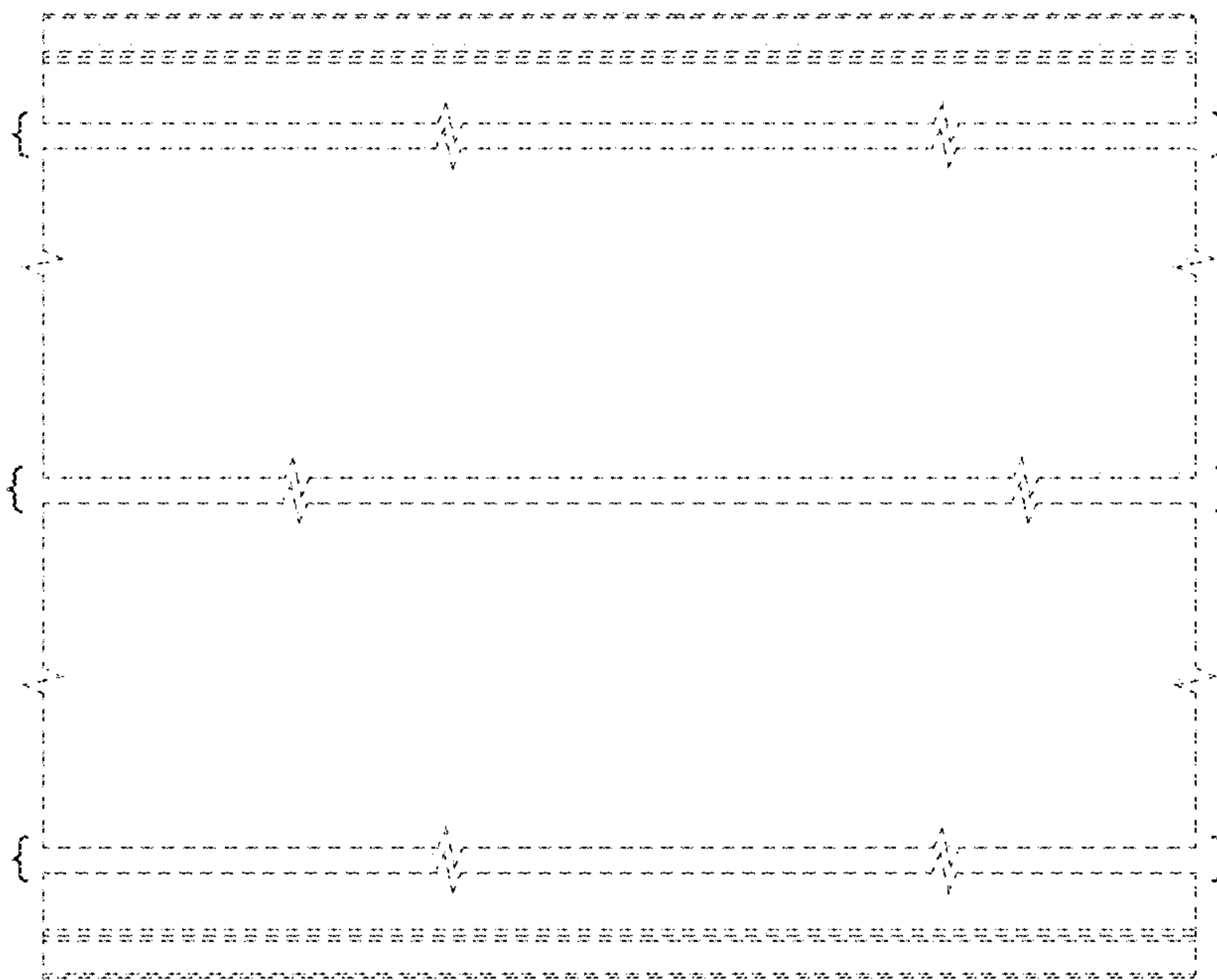


FIG. 11