



US00D895193S

(12) **United States Design Patent**  
**Gong**

(10) **Patent No.:** **US D895,193 S**

(45) **Date of Patent:** **\*\* Sep. 1, 2020**

(54) **LAMP**

(71) Applicant: **Zihua Gong**, Nanyang (CN)

(72) Inventor: **Zihua Gong**, Nanyang (CN)

(\*\*) Term: **15 Years**

(21) Appl. No.: **29/733,693**

(22) Filed: **May 6, 2020**

(51) **LOC (12) Cl.** ..... **26-03**

(52) **U.S. Cl.**  
USPC ..... **D26/88**

(58) **Field of Classification Search**  
USPC ..... D26/72, 80-89  
See application file for complete search history.

(56) **References Cited**

**U.S. PATENT DOCUMENTS**

D37,966	S	*	4/1906	Schepmoes	.....	D26/85
D71,538	S	*	11/1926	Wellman	.....	D26/85
1,686,663	A	*	10/1928	Holmes	.....	F21S 8/06 362/277
D159,422	S	*	7/1950	Kushner	.....	D26/87
D214,186	S	*	5/1969	Meltzer	.....	D26/85
D429,018	S	*	8/2000	De'Armond	.....	D26/72
D484,999	S	*	1/2004	Krieger	.....	D26/67
D558,389	S		12/2007	Chandler		
D628,336	S		11/2010	Baylar		
D671,669	S	*	11/2012	Orozco	.....	D26/85
D694,458	S	*	11/2013	Yang	.....	D26/85

D782,097	S	*	3/2017	Orozco	.....	D26/85
D887,619	S	*	6/2020	Chen	.....	D26/88
2019/0203890	A1		7/2019	Moore et al.		

**OTHER PUBLICATIONS**

Alcott Hill Aticus 4-light outdoor hanging lantern from wayfair.com, as early as Nov. 15, 2018. (Year: 2018).\*

Hudson Valley Travis 9" Wide Polished Nickel Mini Pendant Style #9P733 sold at lampsplus.com as early as Jan. 18, 2020. (Year: 2020).\*

\* cited by examiner

*Primary Examiner* — Clare E Heflin

(57) **CLAIM**

The ornamental design for a lamp, as shown and described.

**DESCRIPTION**

FIG. 1 is a perspective view of a lamp showing my new design;

FIG. 2 is another perspective view thereof;

FIG. 3 is a front elevational view thereof;

FIG. 4 is a rear elevational view thereof;

FIG. 5 is a left side elevational view thereof;

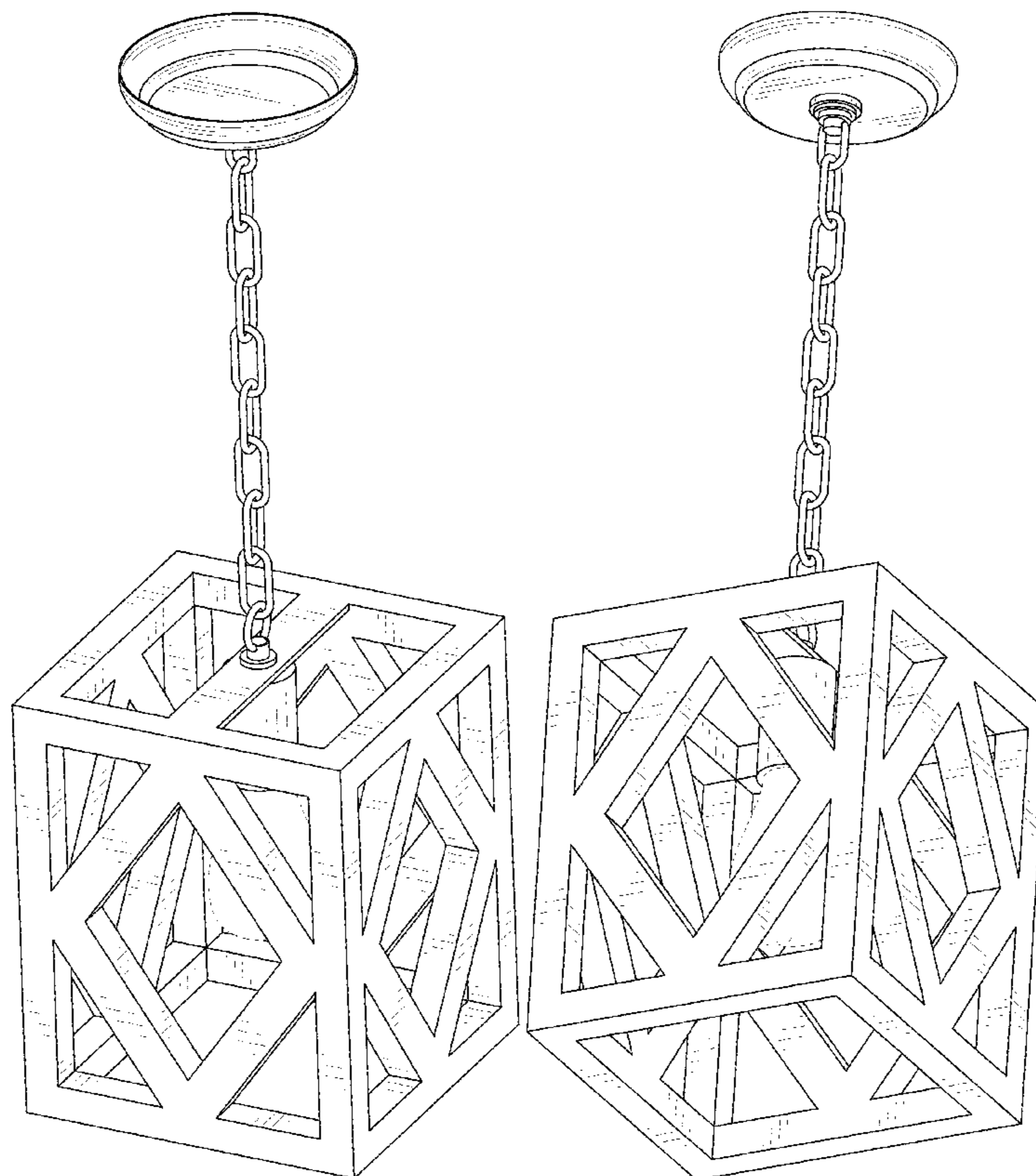
FIG. 6 is a right side elevational view thereof;

FIG. 7 is a top plan view thereof; and,

FIG. 8 is a bottom plan view thereof.

The broken lines in the drawings depict portions of the lamp that form no part of the claimed design.

**1 Claim, 8 Drawing Sheets**



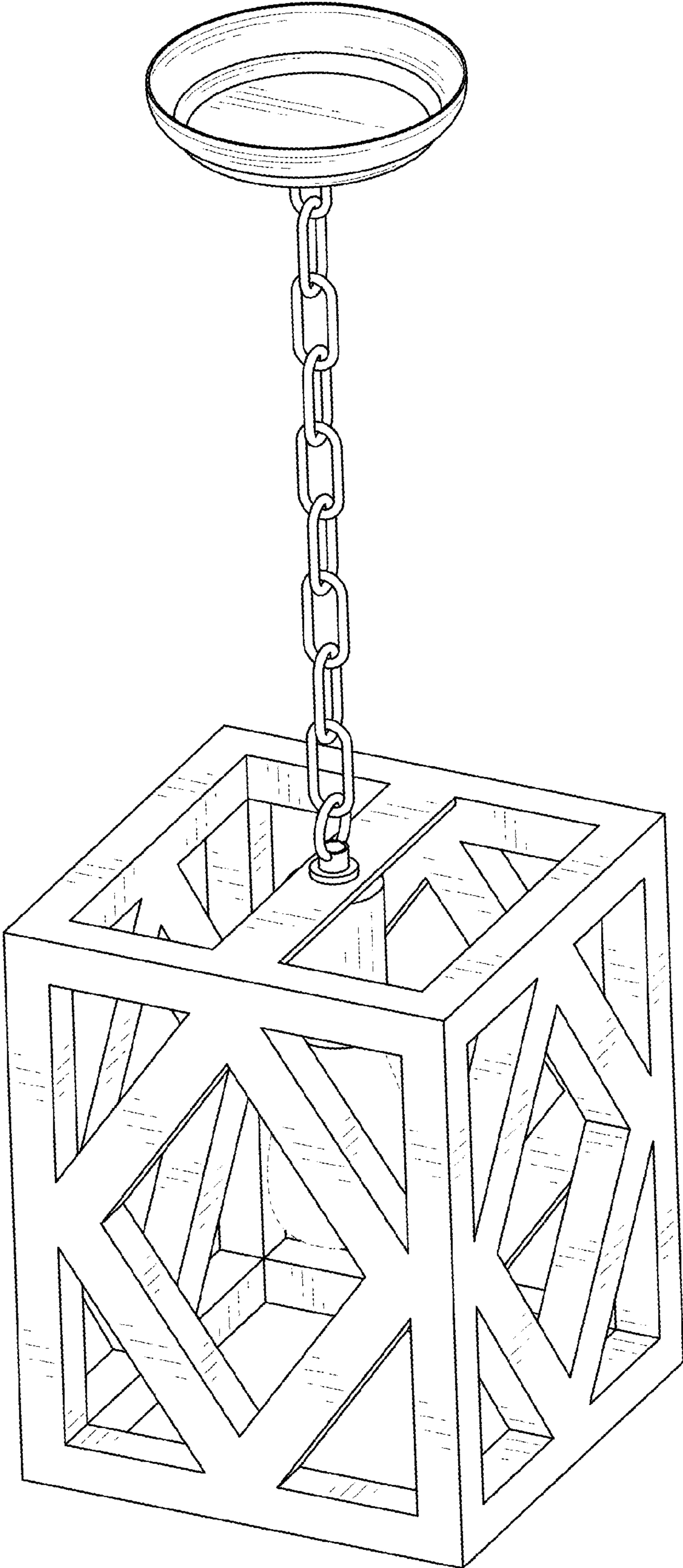


FIG. 1

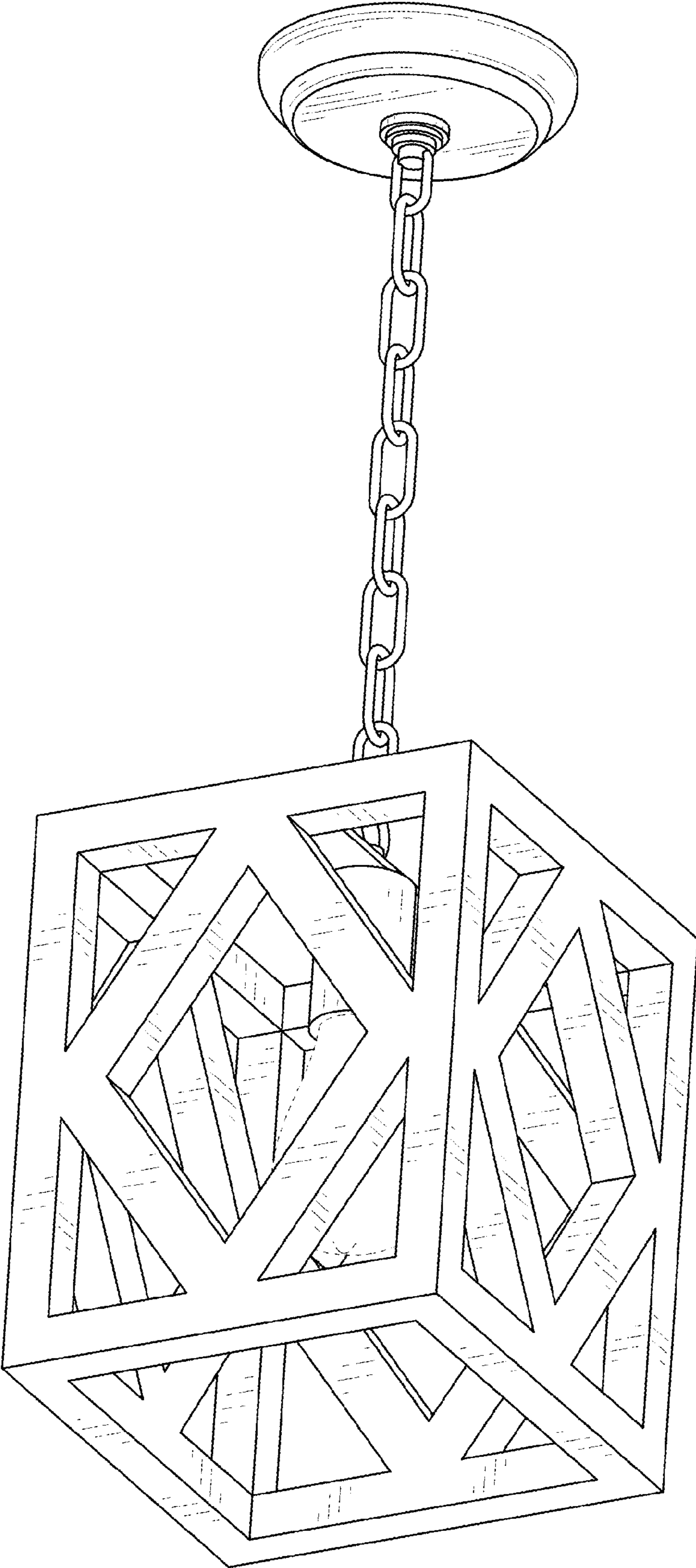


FIG. 2

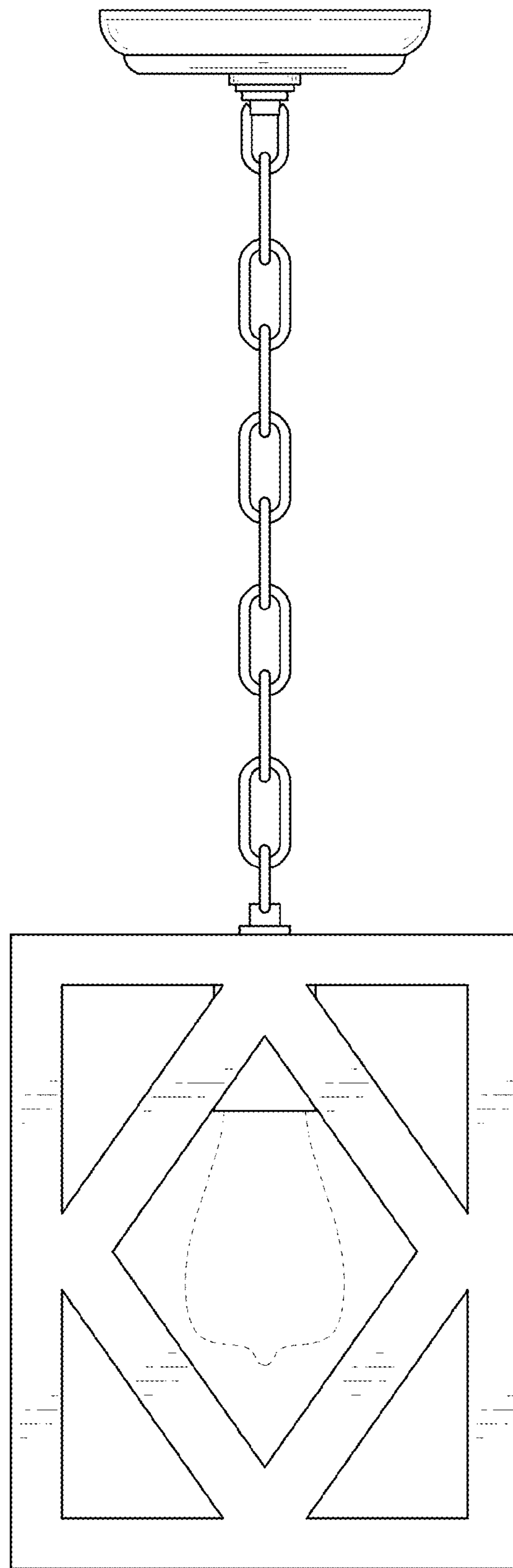


FIG. 3

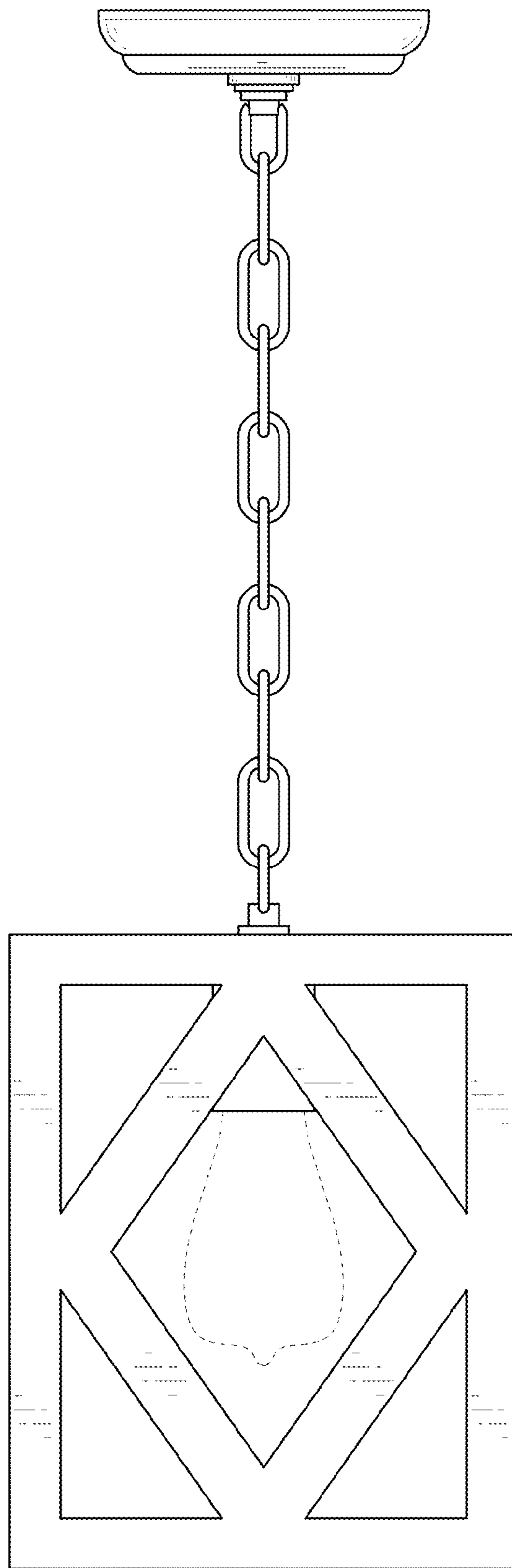


FIG. 4

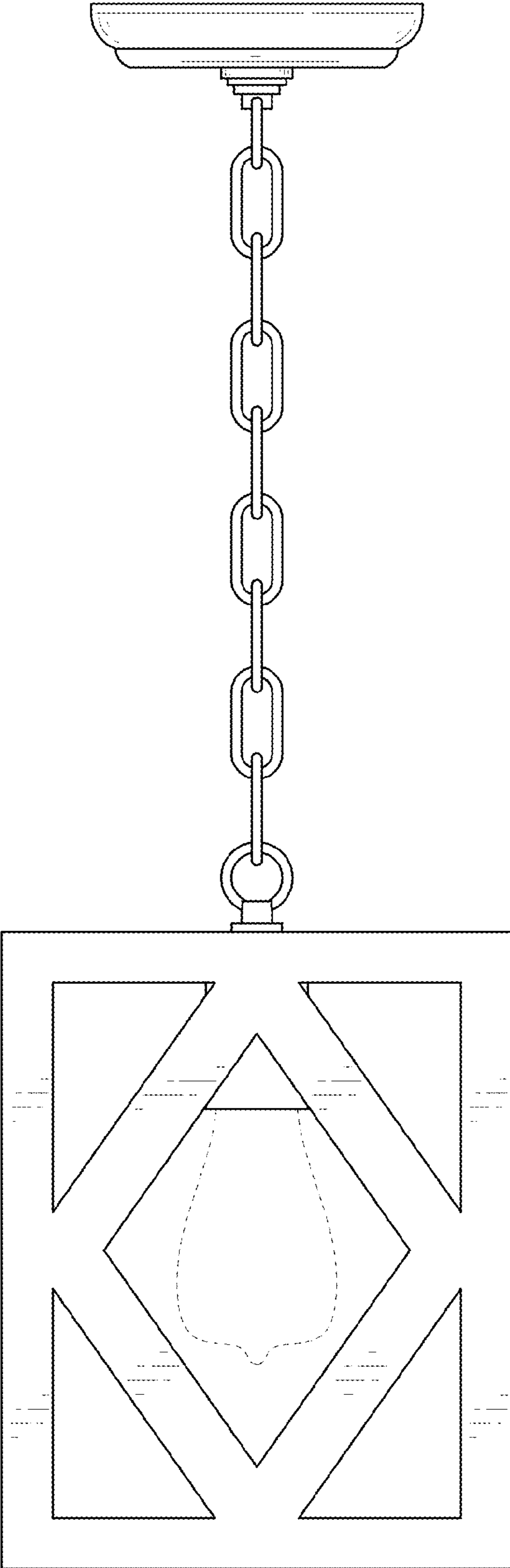


FIG. 5

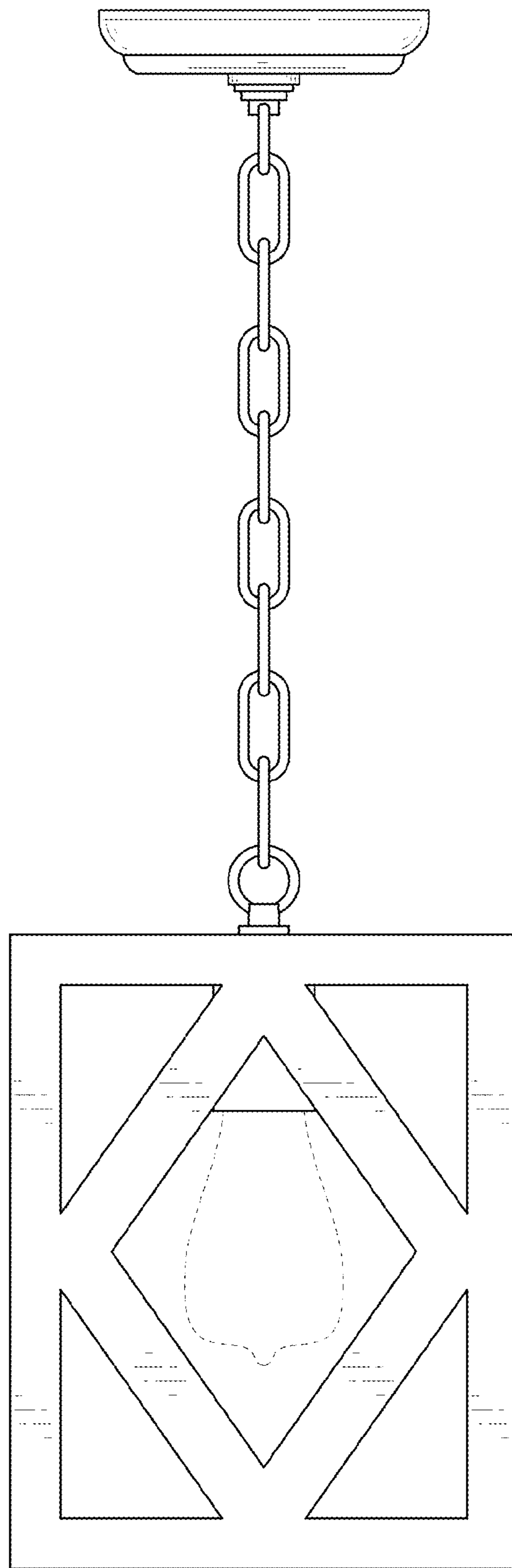


FIG. 6

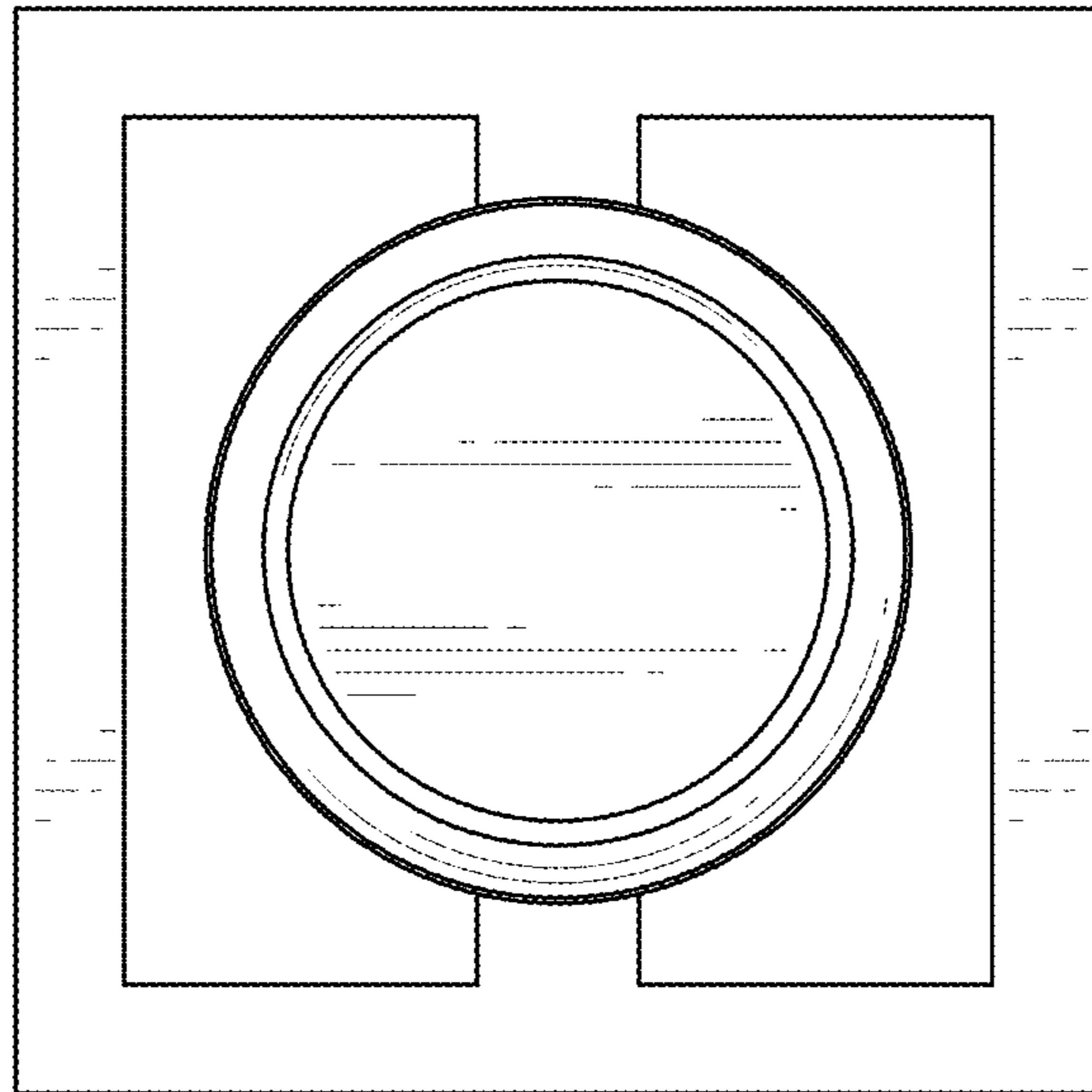


FIG. 7



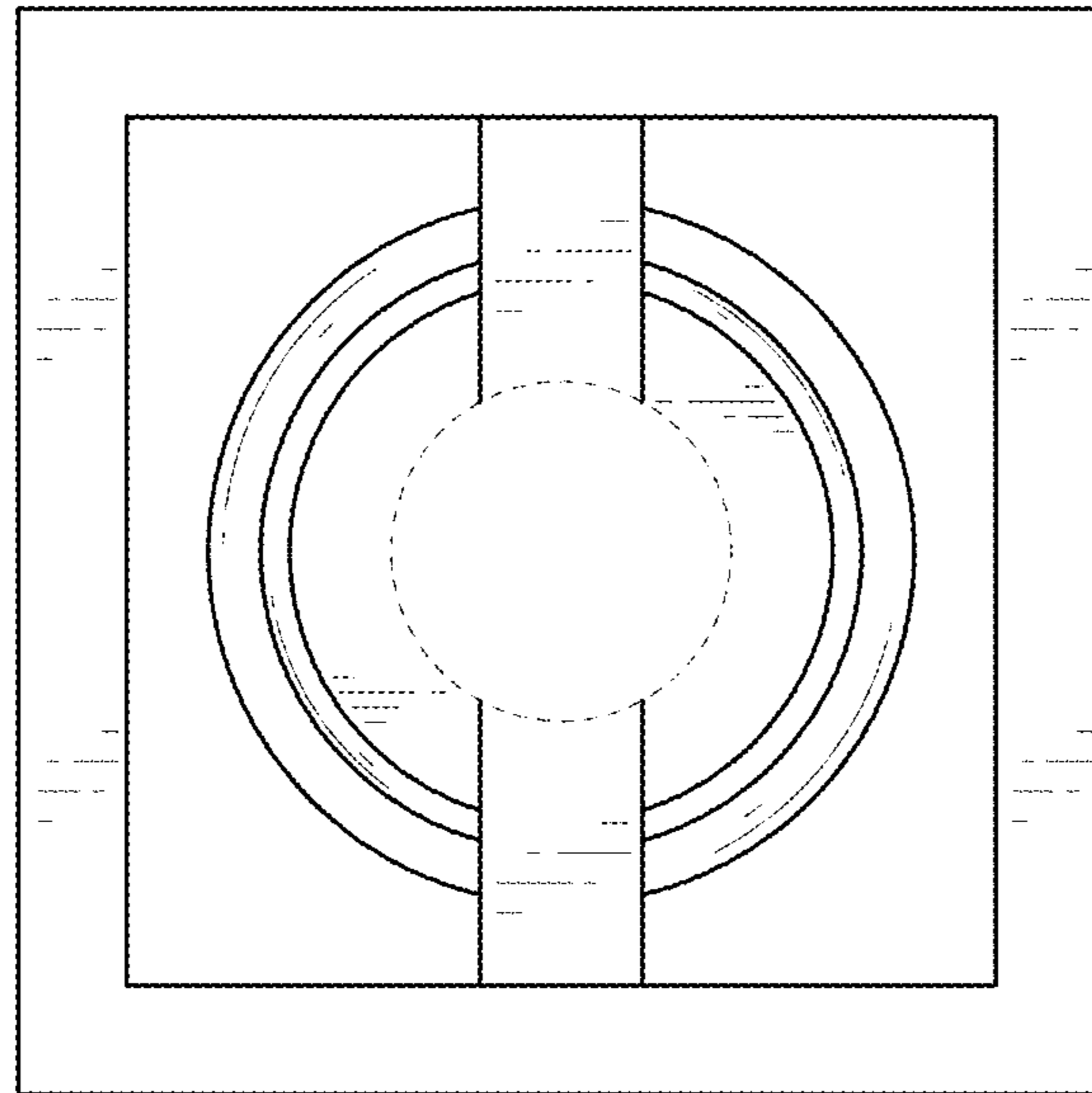


FIG. 8