

US00D895190S

(12) **United States Design Patent** (10) **Patent No.:** **US D895,190 S**
Lee (45) **Date of Patent:** **** Sep. 1, 2020**

(54) **LIGHTING FIXTURE**

(56) **References Cited**

(71) Applicant: **Lee Broom Limited**, London (GB)

U.S. PATENT DOCUMENTS

(72) Inventor: **Broom Lee**, London (GB)

D265,512 S *	7/1982	Thurston	D26/137
D265,513 S *	7/1982	Thurston	D26/137
D307,329 S *	4/1990	Segill	D26/85
D614,794 S *	4/2010	Sabernig	D26/89
D665,121 S *	8/2012	Smith	D26/128
D777,364 S *	1/2017	Taillard	D26/83
D857,274 S *	8/2019	Bozzoli	D26/81

(**) Term: **15 Years**

(21) Appl. No.: **35/507,140**

(22) Filed: **Jan. 21, 2019**

OTHER PUBLICATIONS

(80) **Hague Agreement Data**

Int. Filing Date: **Jan. 21, 2019**

Int. Reg. No.: **DM/200464**

Int. Reg. Date: **Jan. 21, 2019**

Int. Reg. Pub. Date: **Aug. 2, 2019**

Two Screenshots: Lee Broom is Set to Launch 3rd and Final Installment of Observatory Collection. Dated Aug. 27, 2018; one page. Found online Apr. 30, 2020 at <https://design-milk.com/lee-broom-is-set-to-launch-3rd-and-final-installment-of-observatory-collection/> (Year: 2018).*

(51) **LOC (12) Cl.** **26-05**

* cited by examiner

(52) **U.S. Cl.**
USPC **D26/86**

Primary Examiner — Robert M. Spear

(58) **Field of Classification Search**
USPC D26/1, 2, 3, 24, 70, 72, 75, 78, 79, 80,
D26/81, 82, 84, 85, 86, 88, 90, 91, 102,
D26/110, 122, 128, 129, 130, 137
CPC .. G03B 2215/0589; F21S 2/005; F21S 4/002;
F21S 4/008; F21S 8/031; F21S 8/038;
F21S 8/04; F21S 8/043; F21S 8/046;
F21S 8/06; F21S 8/061; F21S 8/063;
F21S 8/065; F21S 8/066; F21S 8/068

(57) **CLAIM**

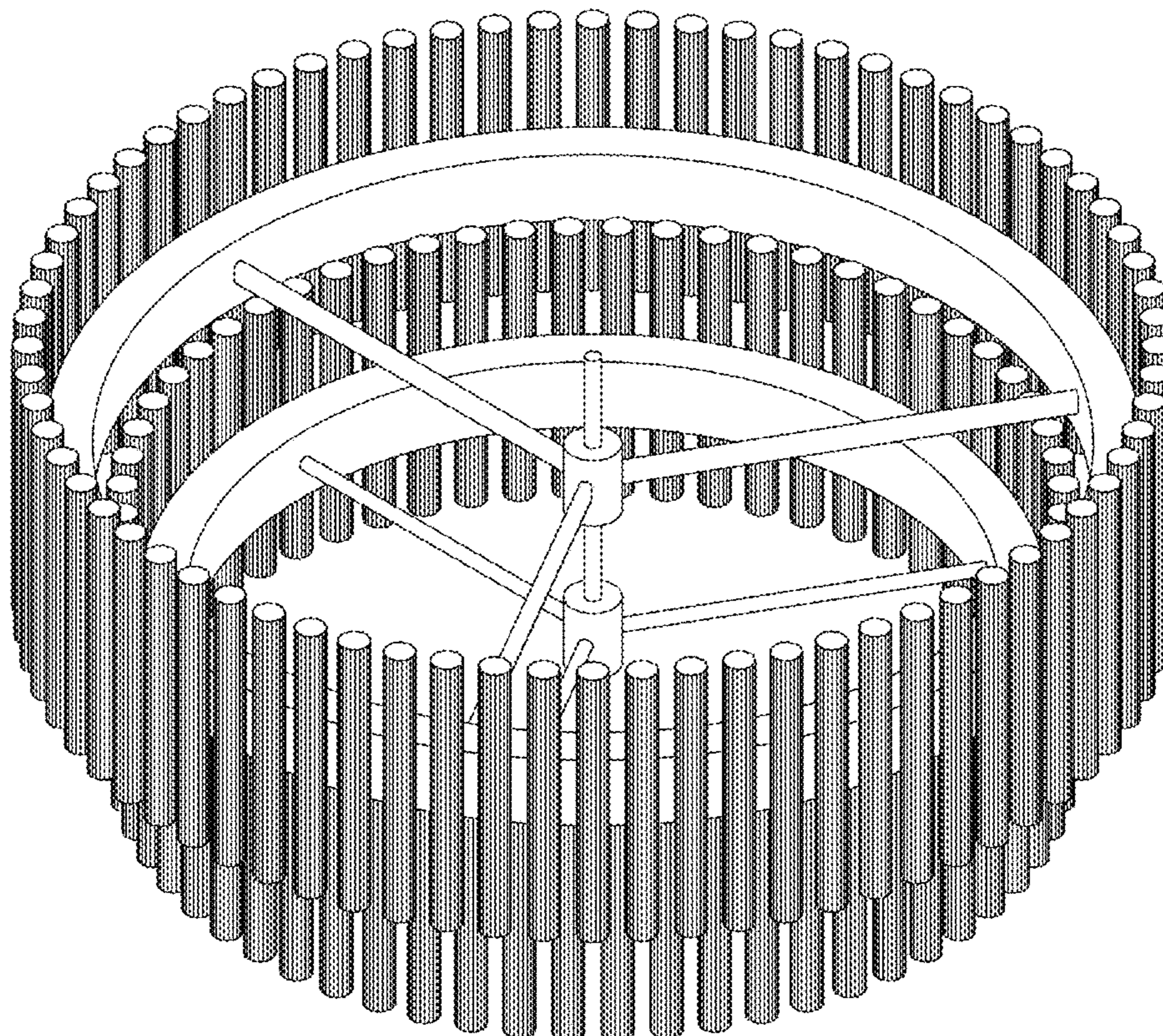
The ornamental design for lighting fixture, as shown and described.

DESCRIPTION

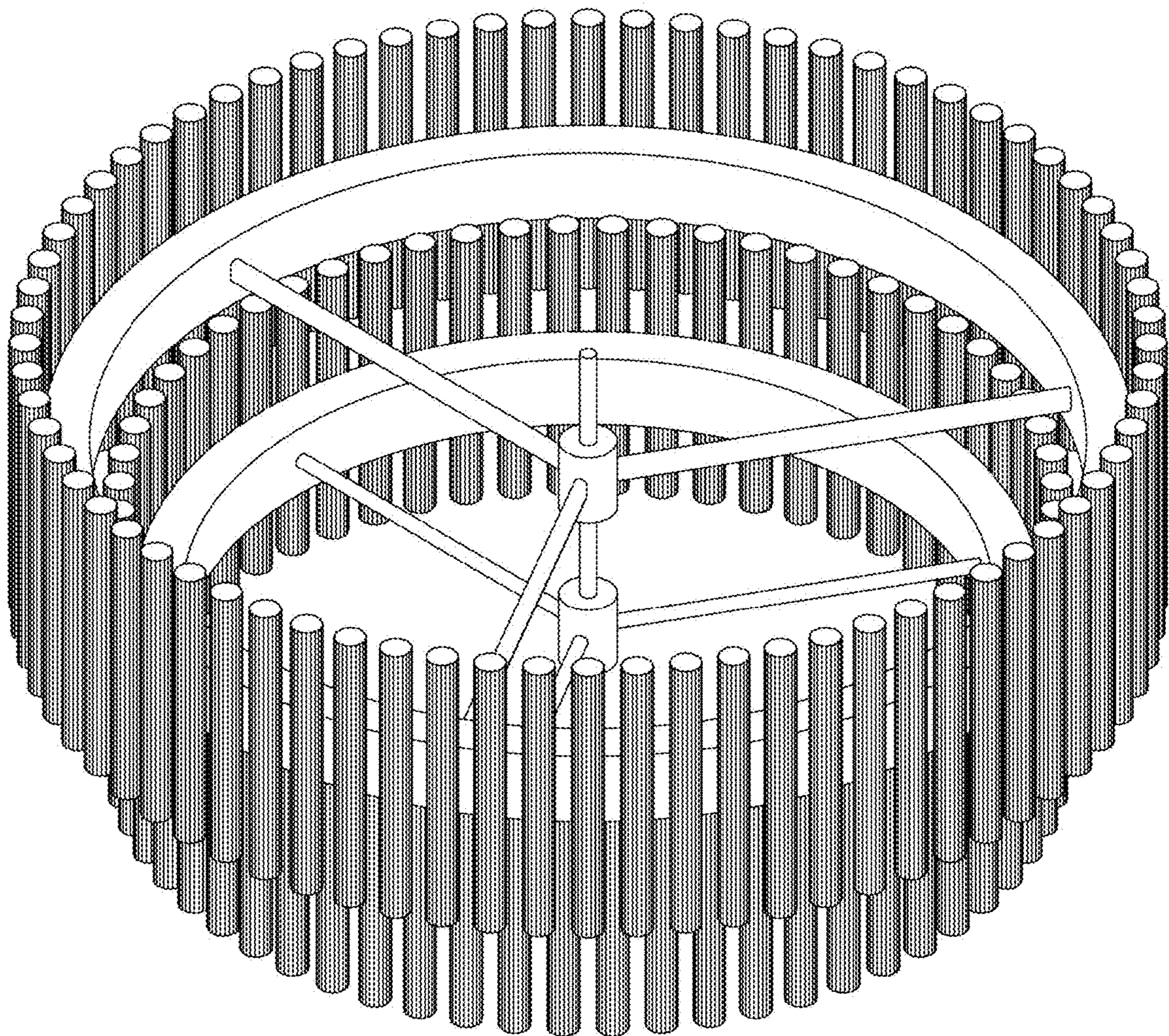
See application file for complete search history.

1. Light
1.1 perspective; 1.2 front; 1.3 back; 1.4 right; 1.5 left; 1.6 bottom; 1.7 top.

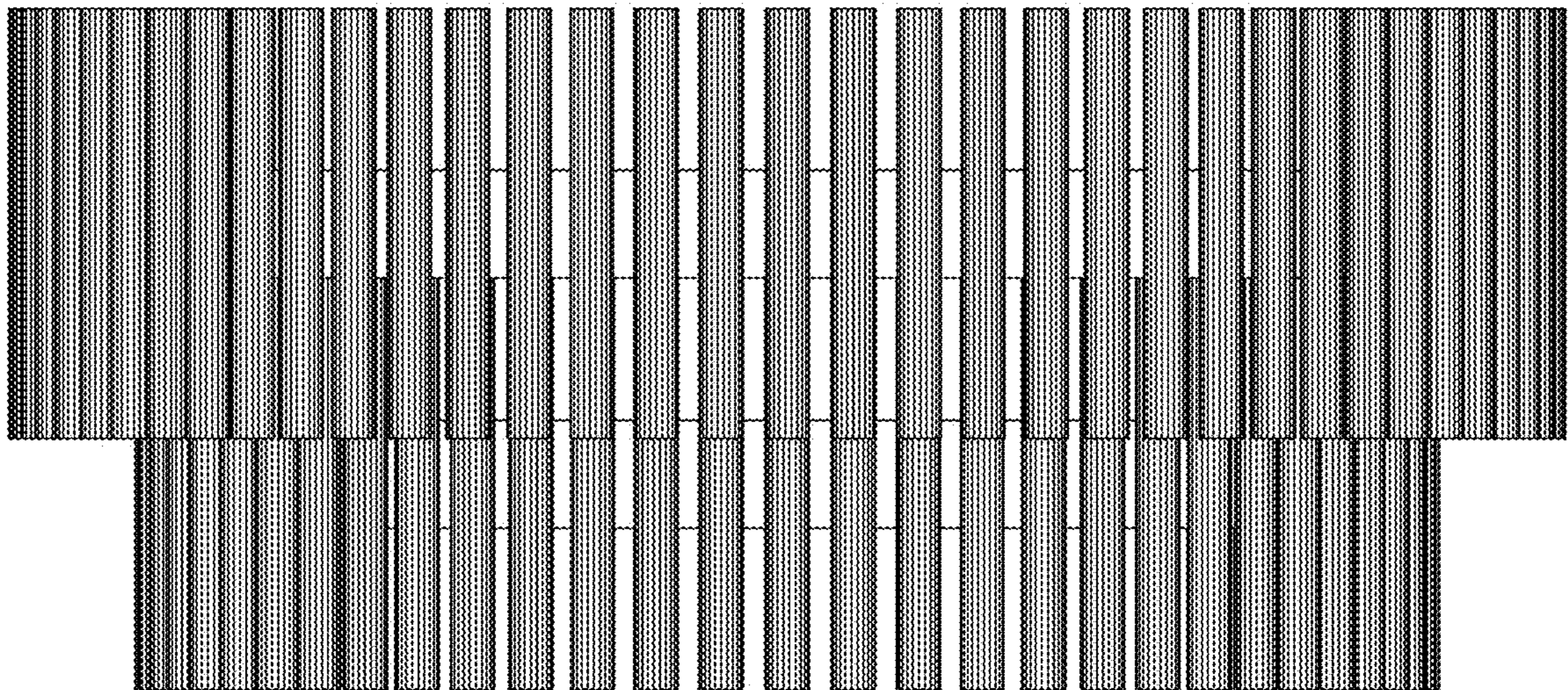
1 Claim, 7 Drawing Sheets



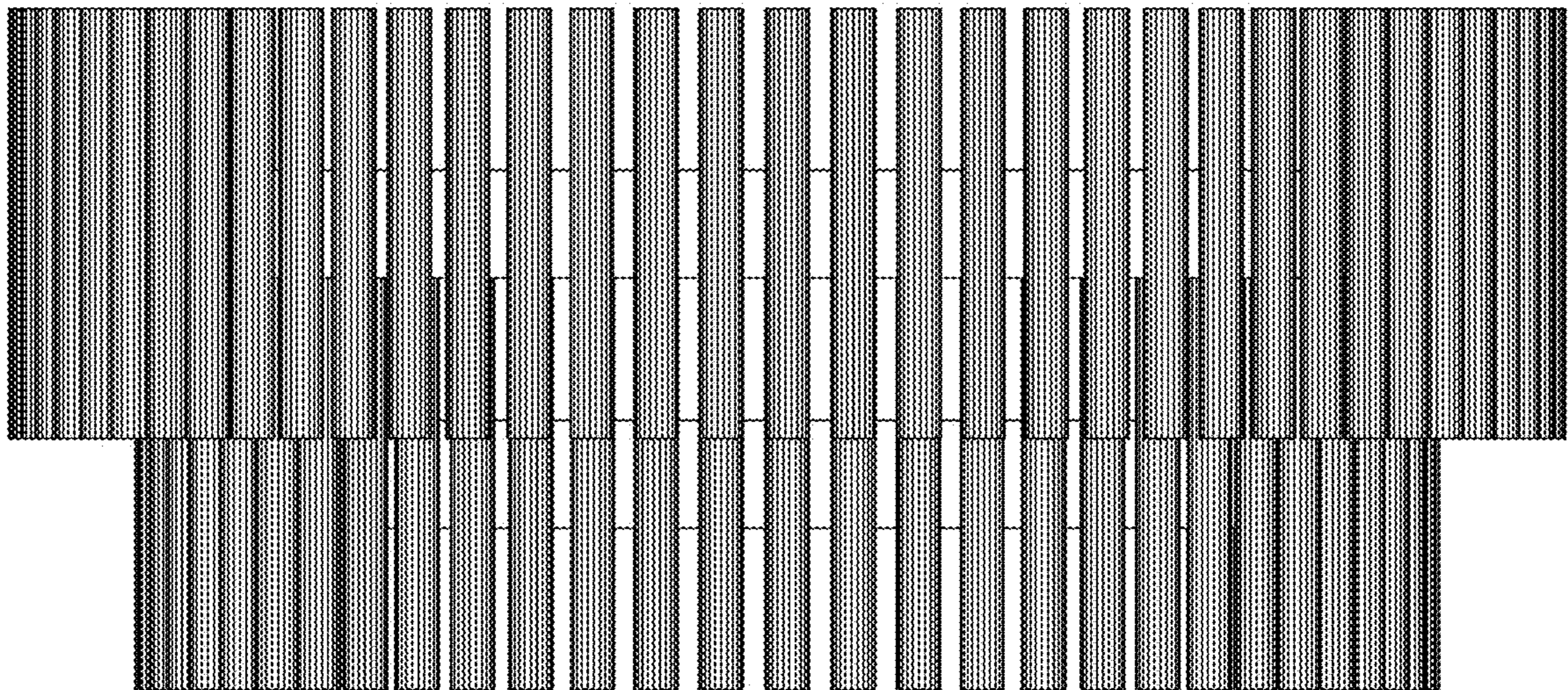
1.1



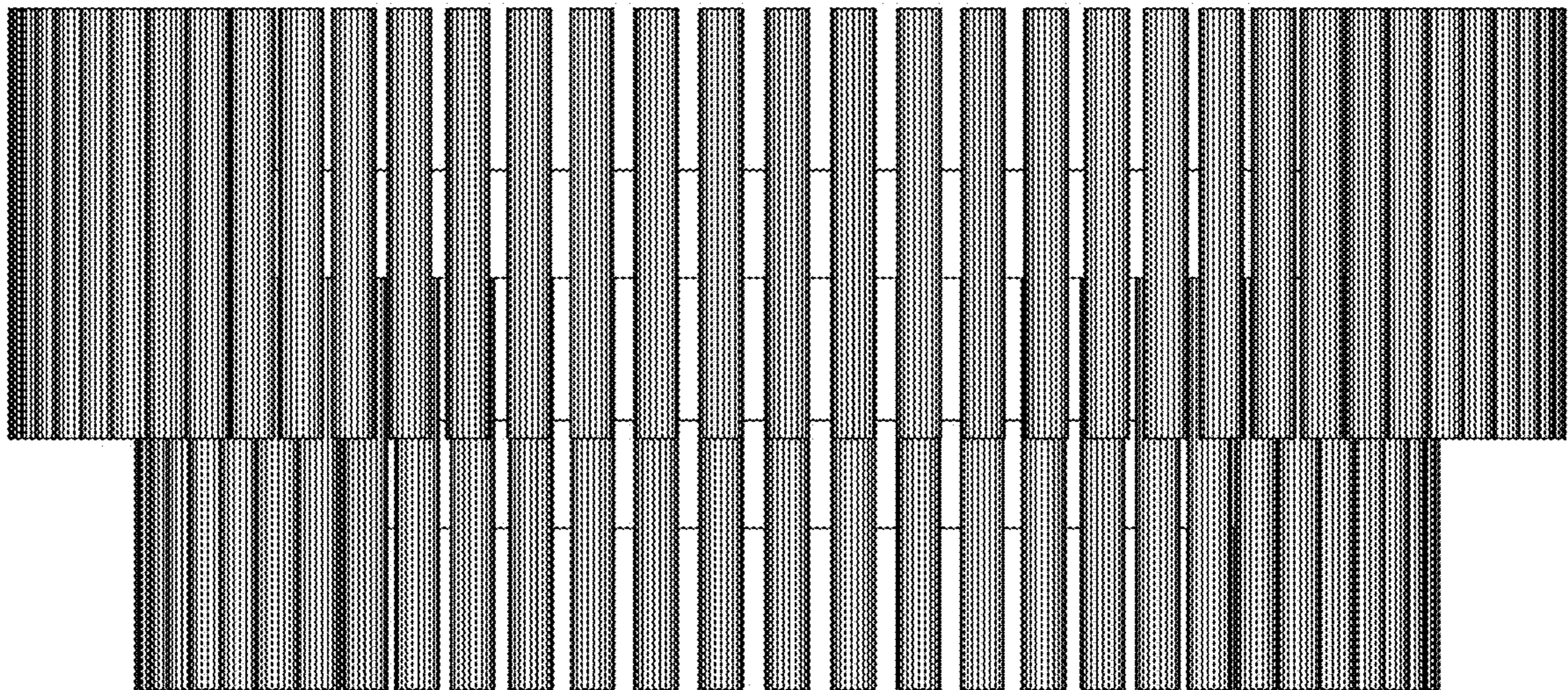
1.2



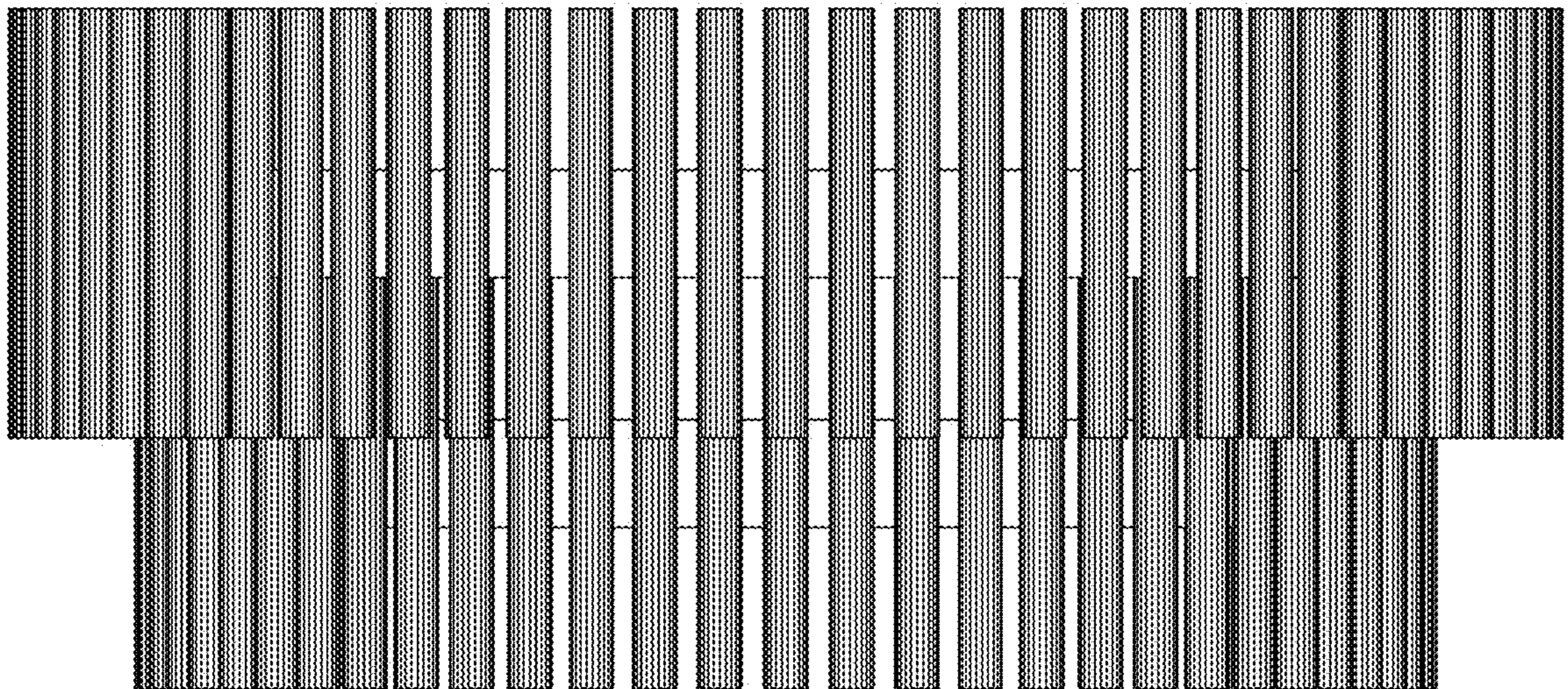
1.3



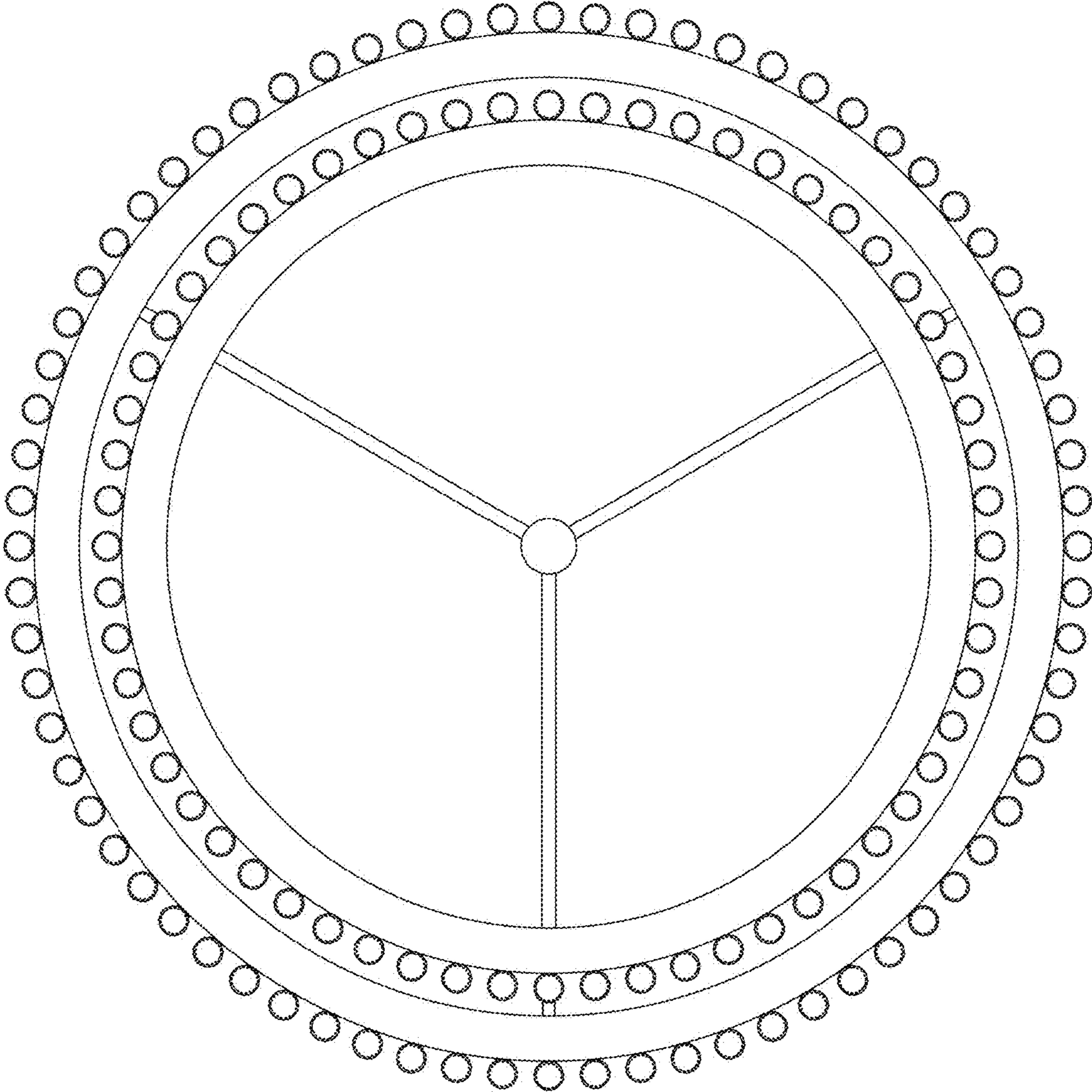
1.4



1.5



1.6



1.7

