



US00D895188S

(12) **United States Design Patent**
Xu

(10) **Patent No.:** **US D895,188 S**

(45) **Date of Patent:** **** Sep. 1, 2020**

(54) **LAMP**

(71) Applicant: **Jiangying Xu**, Shenzhen (CN)

(72) Inventor: **Jiangying Xu**, Shenzhen (CN)

(**) Term: **15 Years**

(21) Appl. No.: **29/733,691**

(22) Filed: **May 6, 2020**

(51) **LOC (12) Cl.** **26-03**

(52) **U.S. Cl.**
USPC **D26/81; D26/88**

(58) **Field of Classification Search**
USPC D26/72, 80-89
See application file for complete search history.

(56) **References Cited**

U.S. PATENT DOCUMENTS

D86,313 S *	2/1932	Hollister	D26/88
2,972,674 A *	2/1961	De Sentmenat	F21V 1/06 362/317
D252,351 S *	7/1979	Glassman	D26/80
D659,882 S	5/2012	Sterling et al.		
D730,562 S *	5/2015	Blackman	D26/88
D755,432 S *	5/2016	Orozco	D26/83
D794,861 S *	8/2017	Goorsenberg	D26/84
D829,362 S *	9/2018	Calvo Lopez	D26/88
10,161,601 B1 *	12/2018	Chen	F21V 17/007
D880,046 S *	3/2020	Orozco	D26/81
2012/0106134 A1	5/2012	Chang		
2013/0120972 A1	5/2013	Chung		

OTHER PUBLICATIONS

Currey and Company 9096 Dado—one light Pendant available at amazon.com Jul. 28, 2010. (Year: 2010).*

Cirus mid-century pendant from the New York Lighting Collection at lightingandlights.co.uk, visited Jul. 16, 2020. (Year: 2020).*

Currey and Company—9000-0327—Zanzibar—8 Light Chandelier from lstoplighting.com, visited Jul. 16, 2020. (Year: 2020).*

Drum Shaped Rustic Chandelier with Wooden Slats from 7pmlighting.com, visited Jul. 16, 2020. (Year: 2020).*

* cited by examiner

Primary Examiner — Clare E Heflin

(57) **CLAIM**

The ornamental design for a lamp, as shown and described.

DESCRIPTION

FIG. 1 is a perspective view of a lamp showing my new design;

FIG. 2 is another perspective view thereof;

FIG. 3 is a front elevational view thereof;

FIG. 4 is a rear elevational view thereof;

FIG. 5 is a left side elevational view thereof;

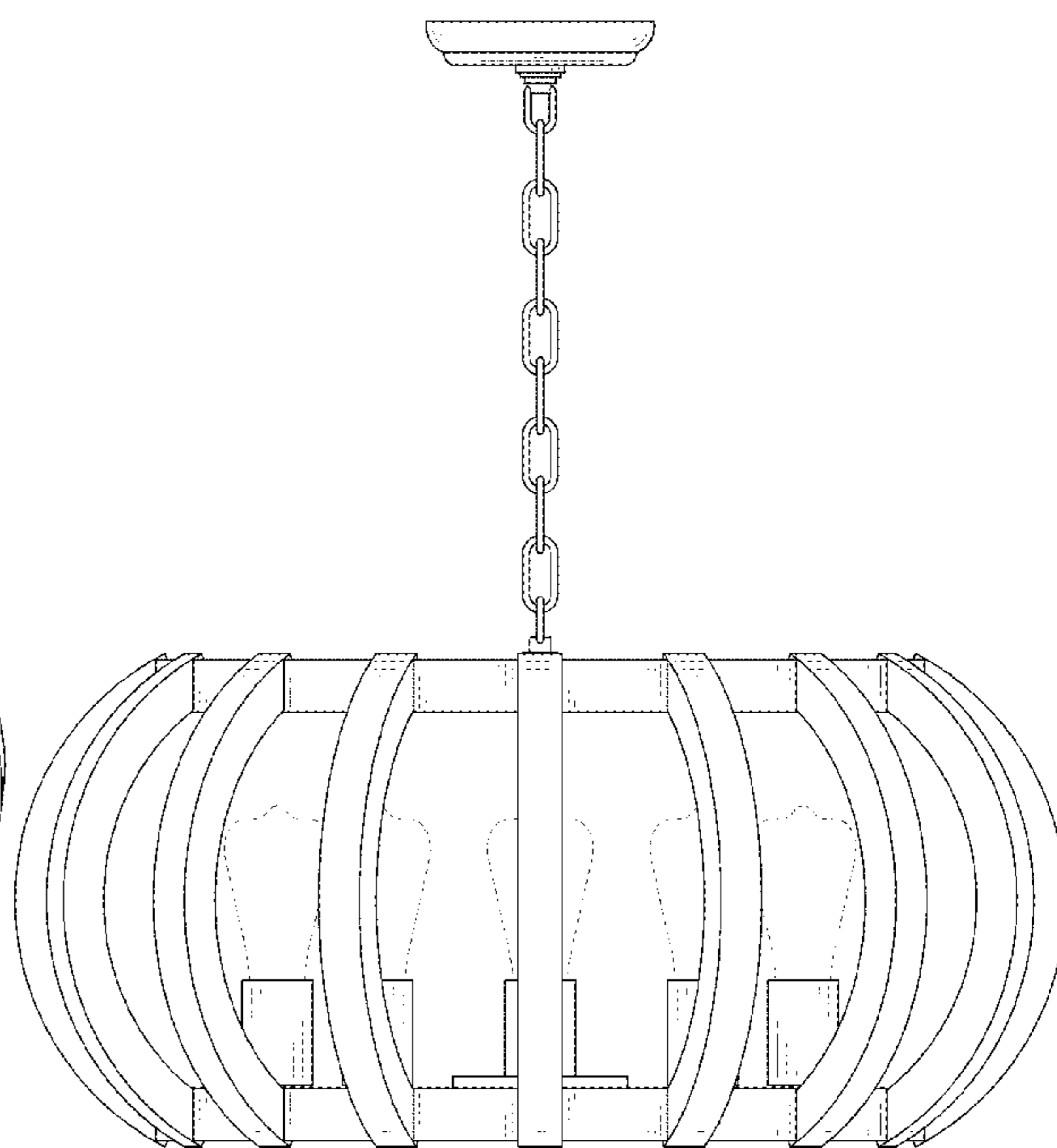
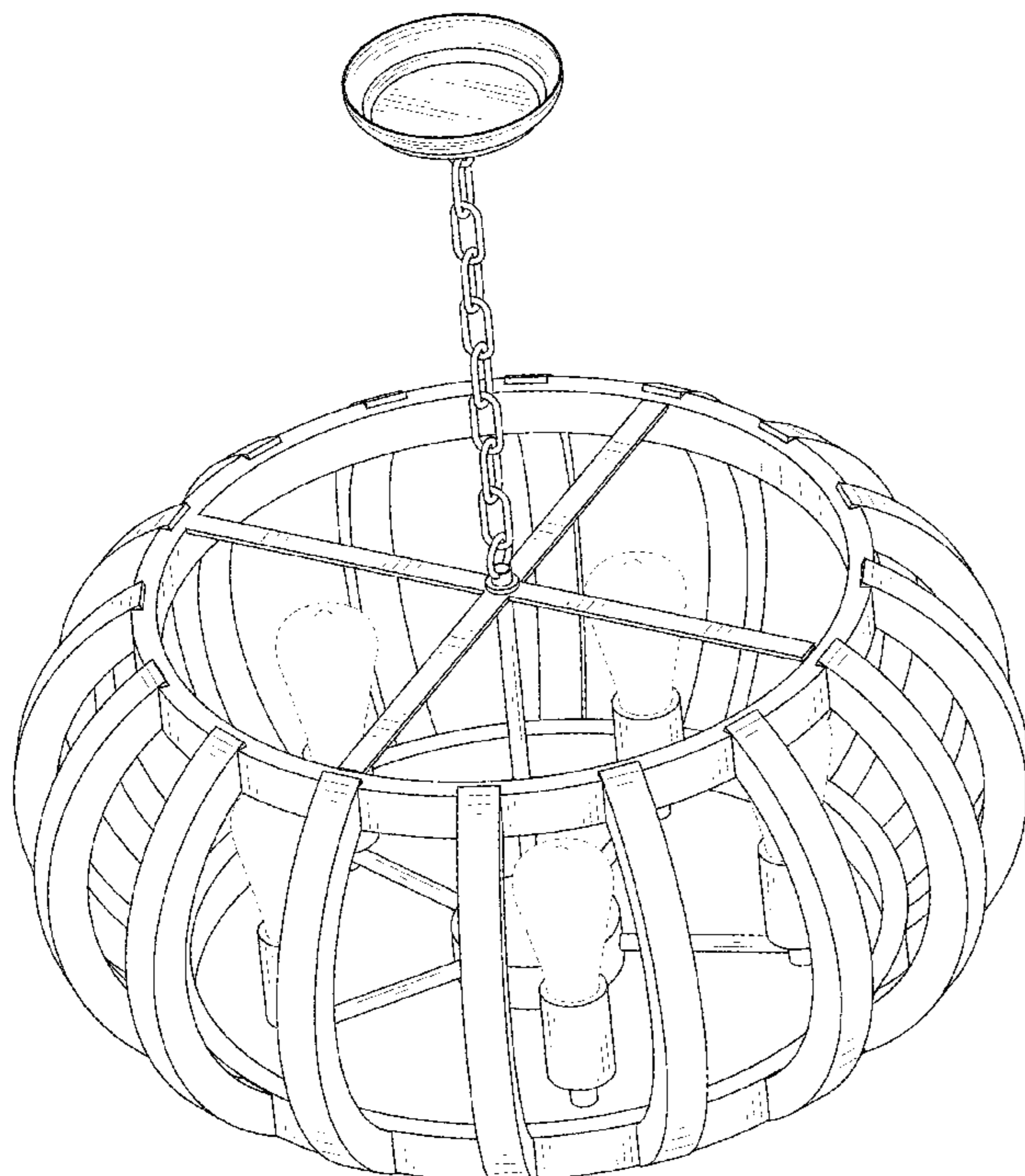
FIG. 6 is a right side elevational view thereof;

FIG. 7 is a top plan view thereof; and,

FIG. 8 is a bottom plan view thereof.

The broken lines in the drawings depict portions of the lamp that form no part of the claimed design.

1 Claim, 8 Drawing Sheets



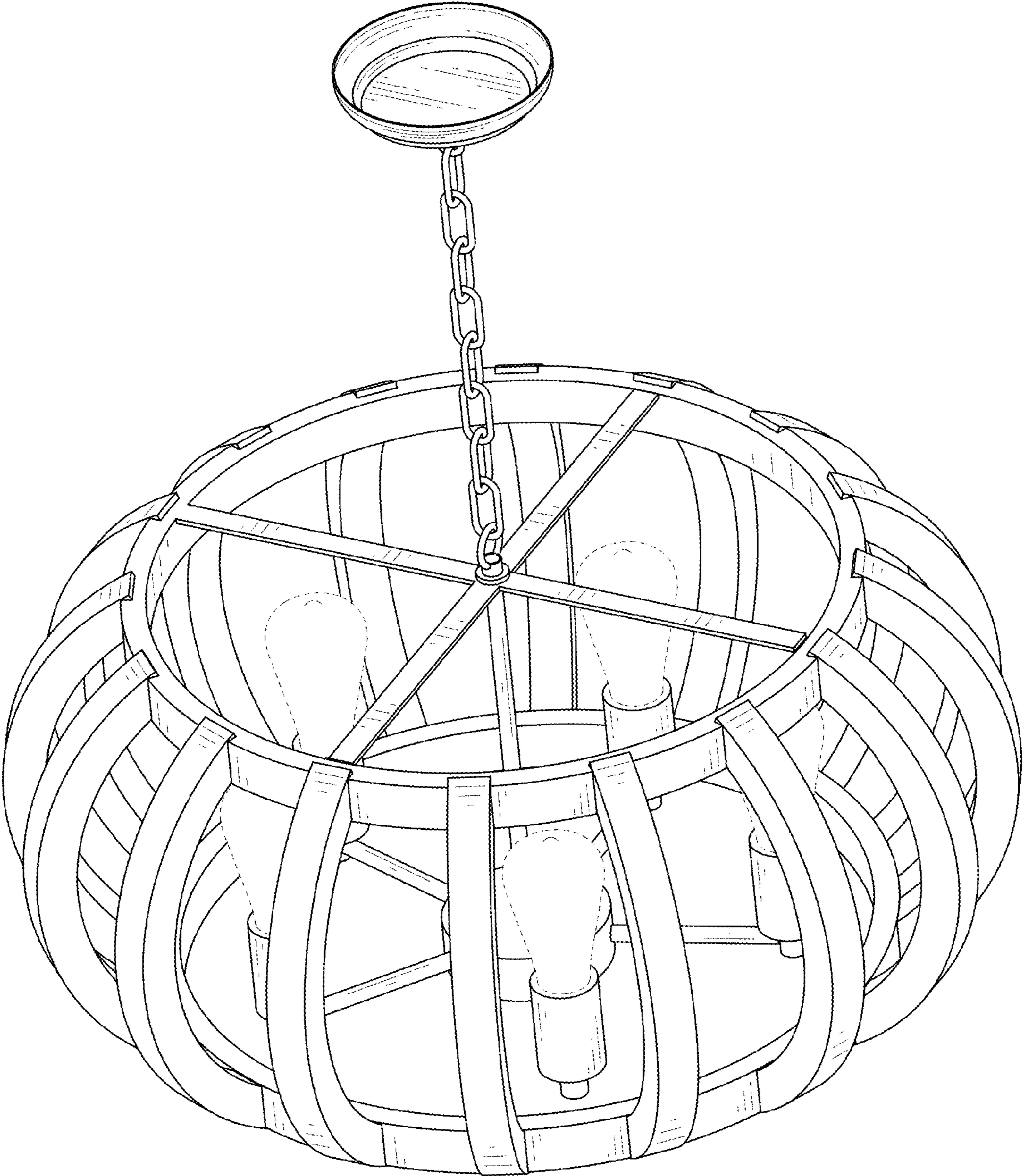


FIG. 1

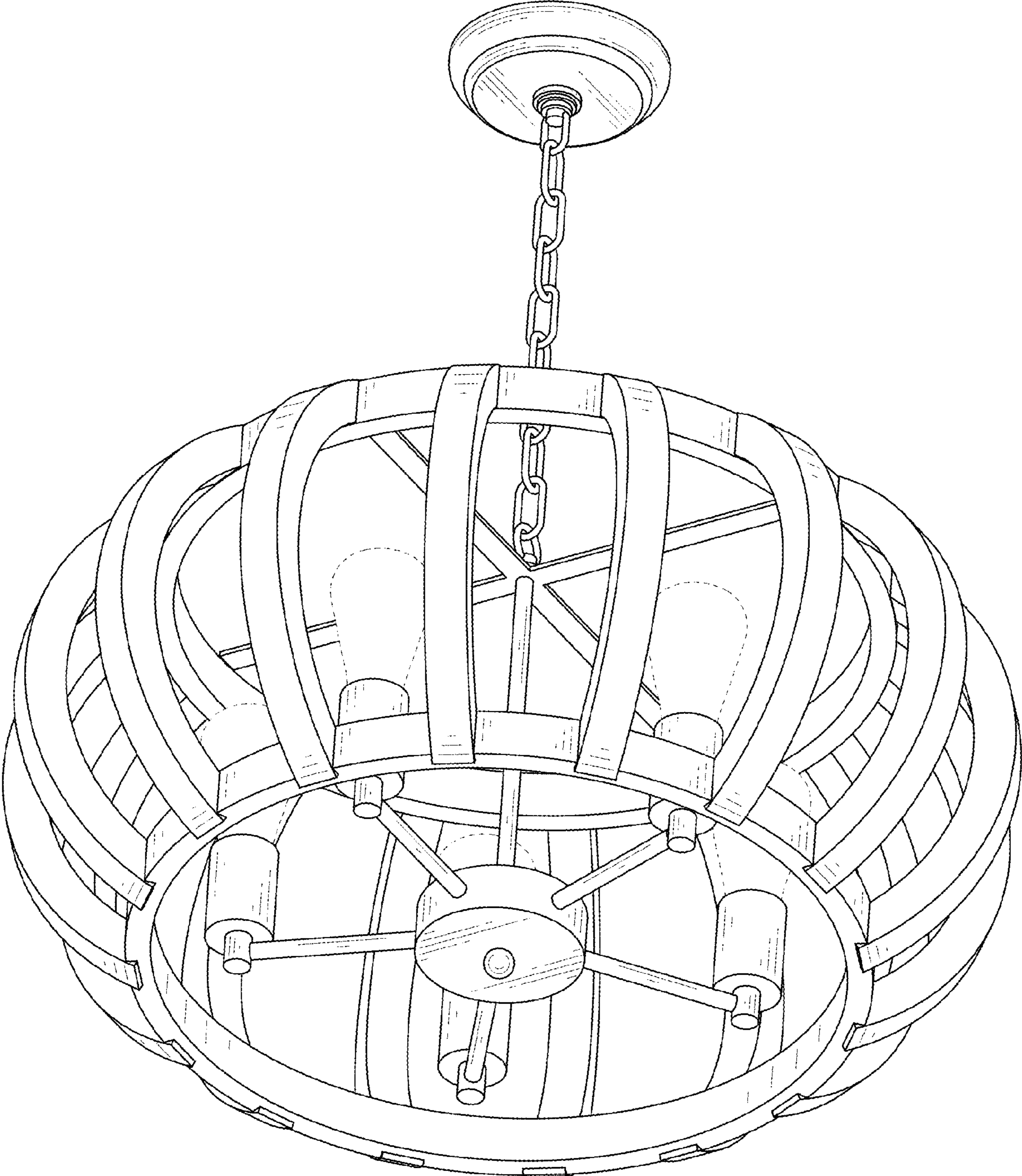


FIG. 2

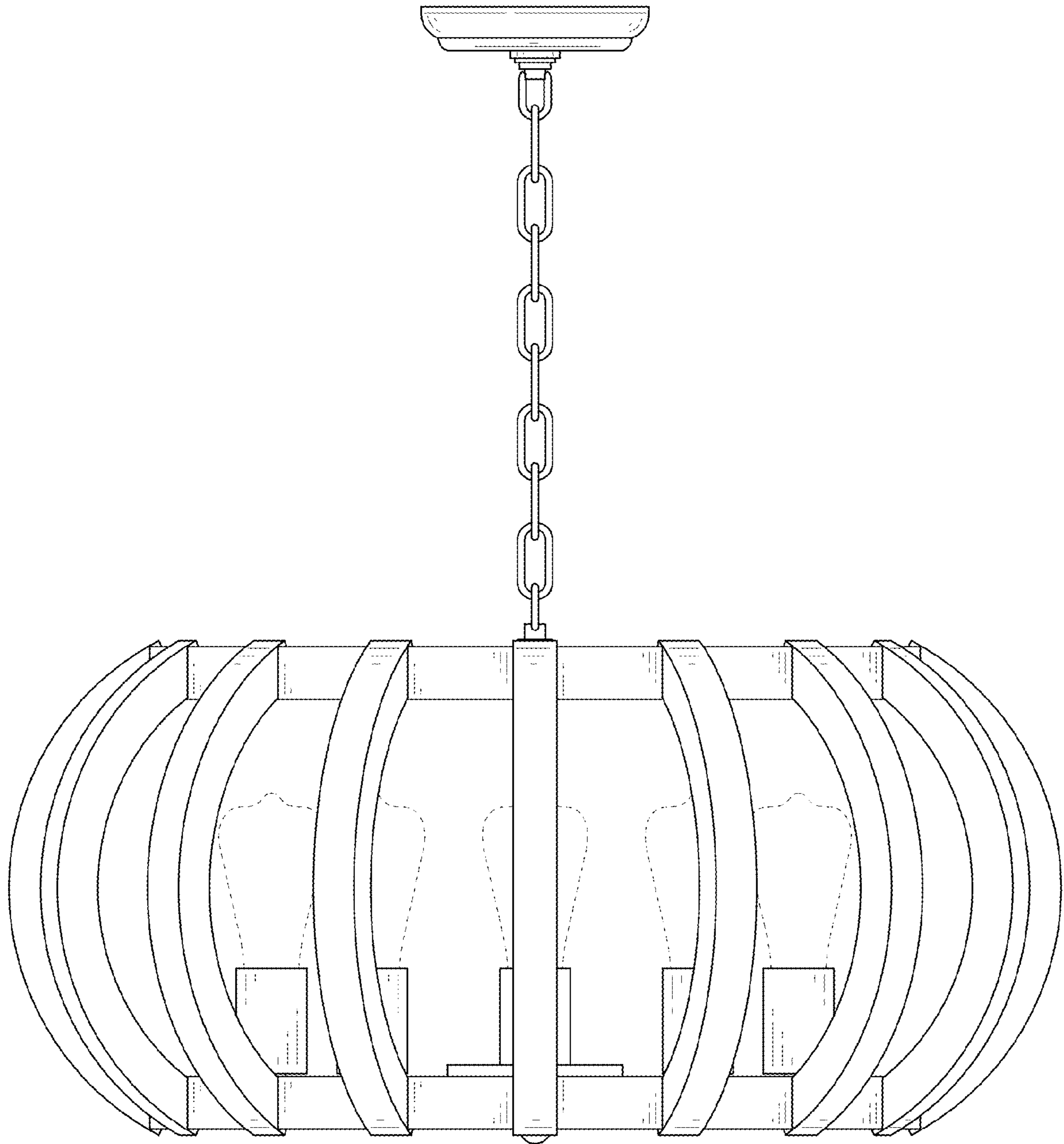


FIG. 3

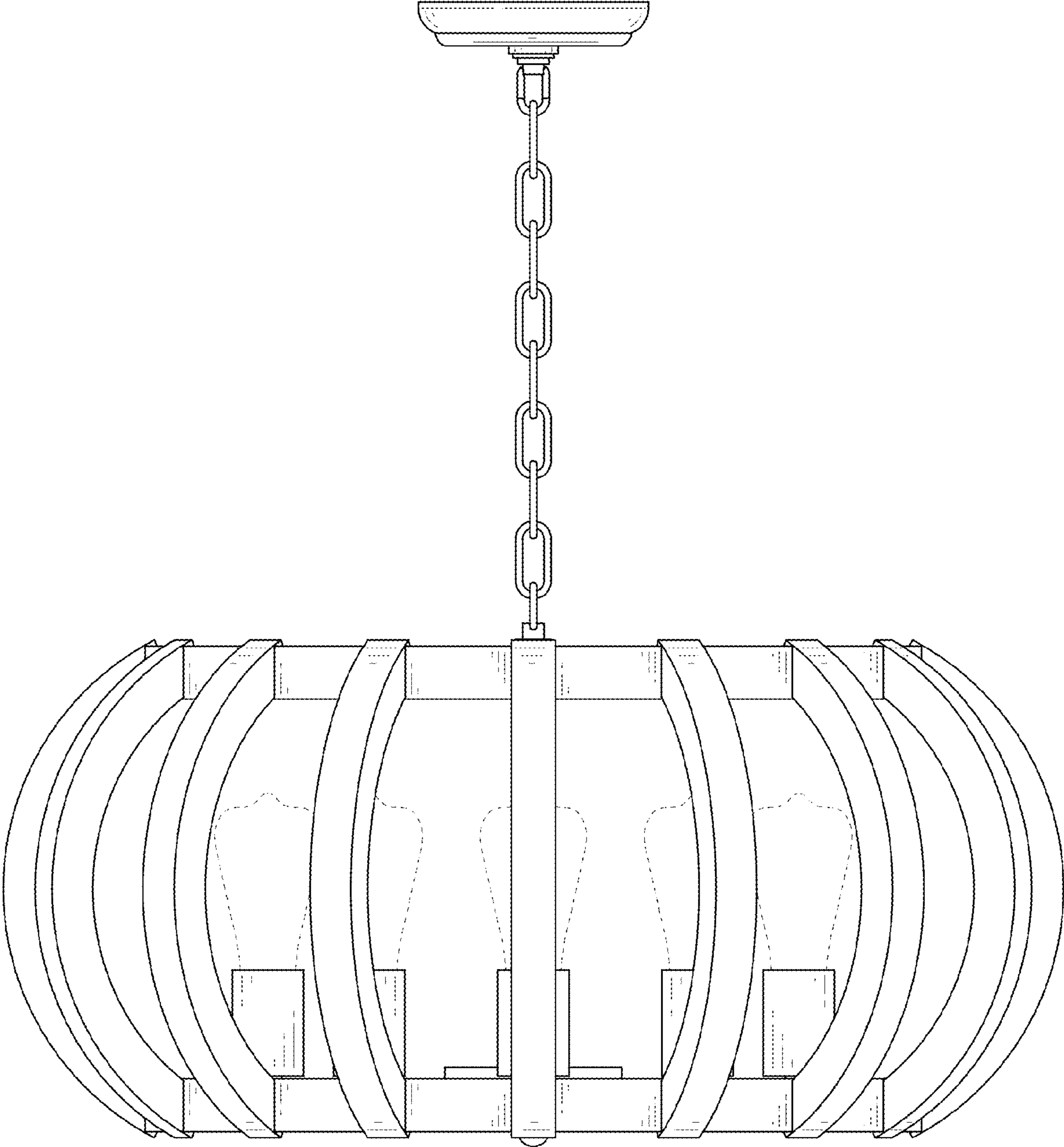


FIG. 4

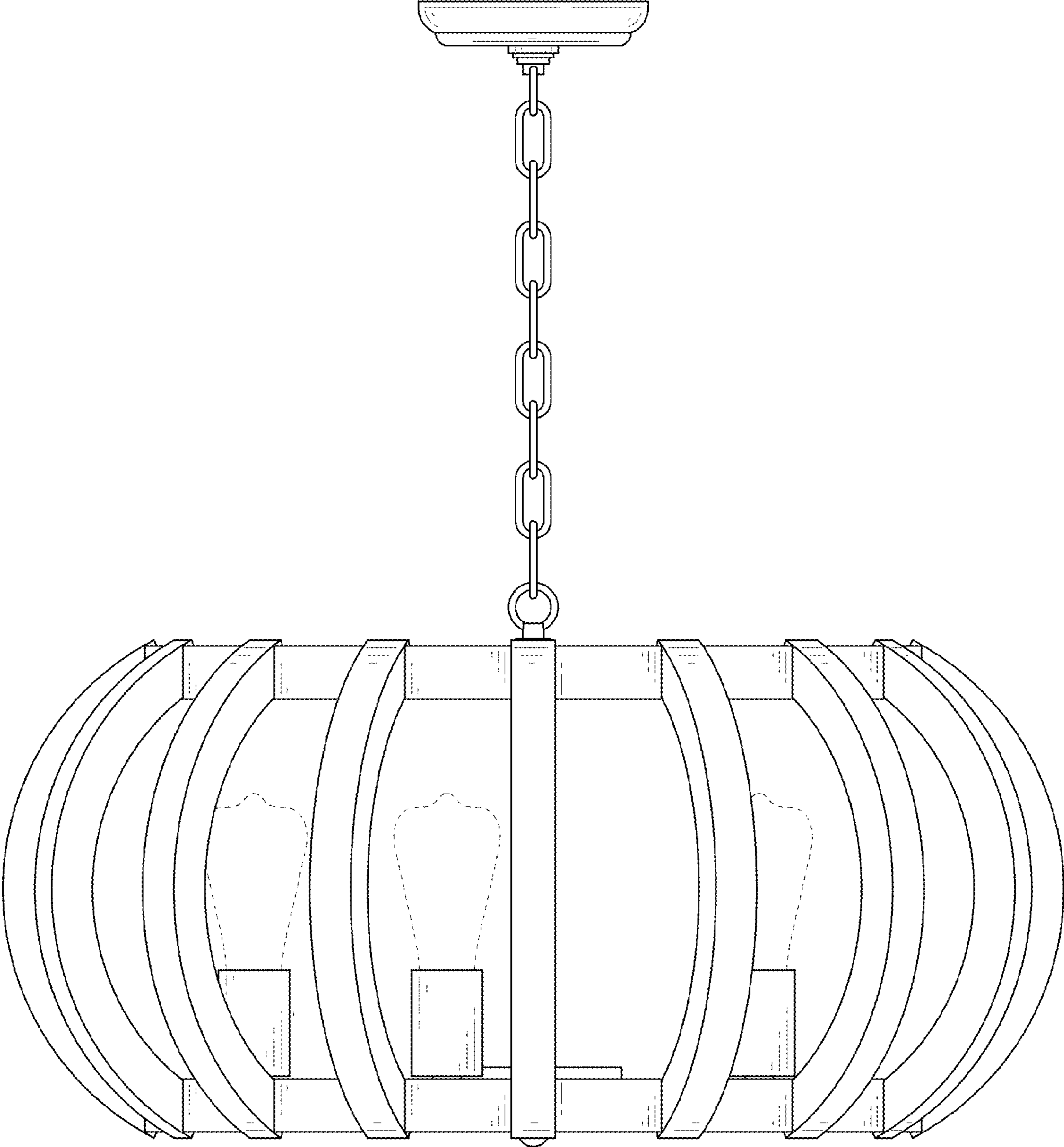


FIG. 5

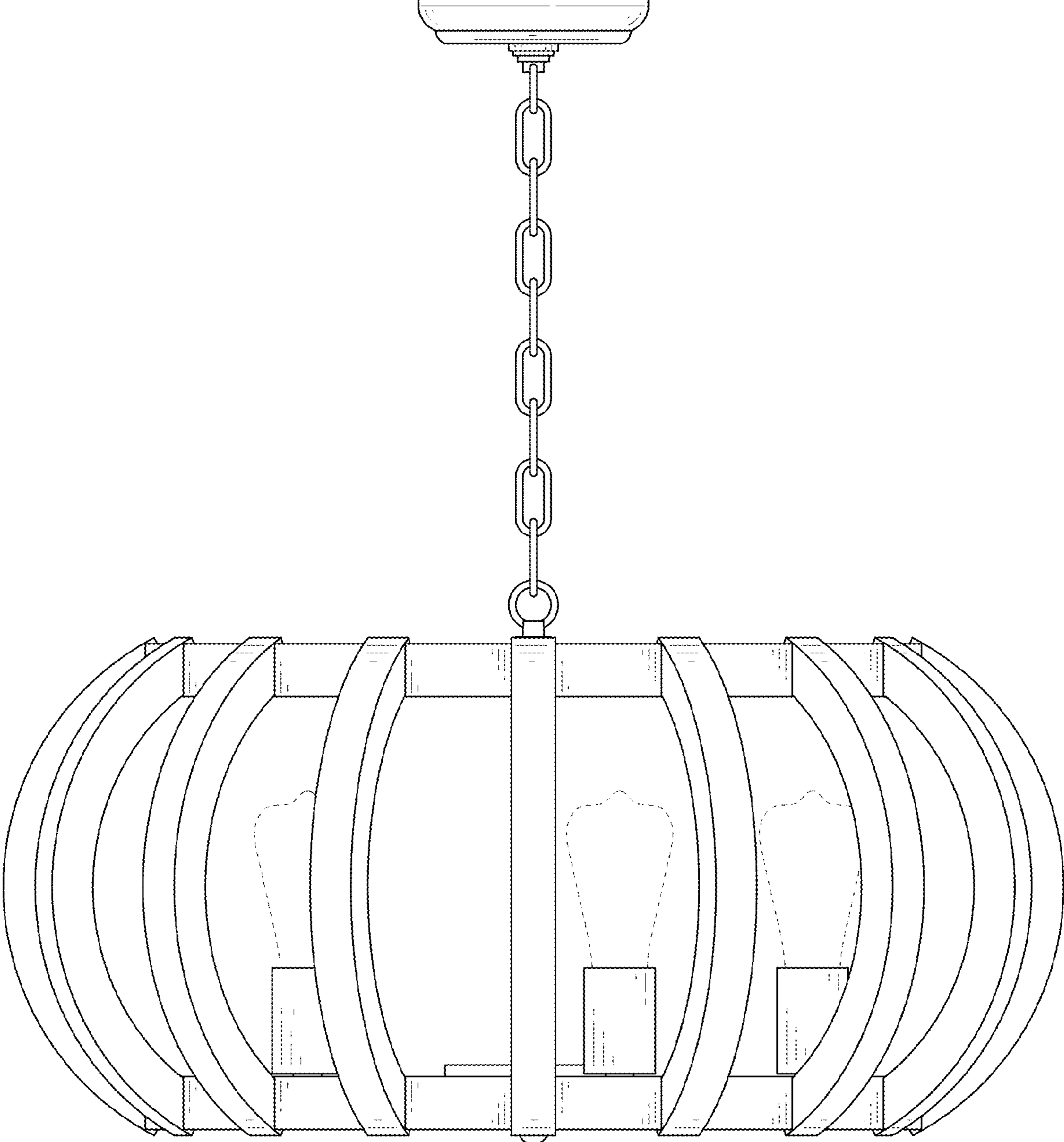


FIG. 6

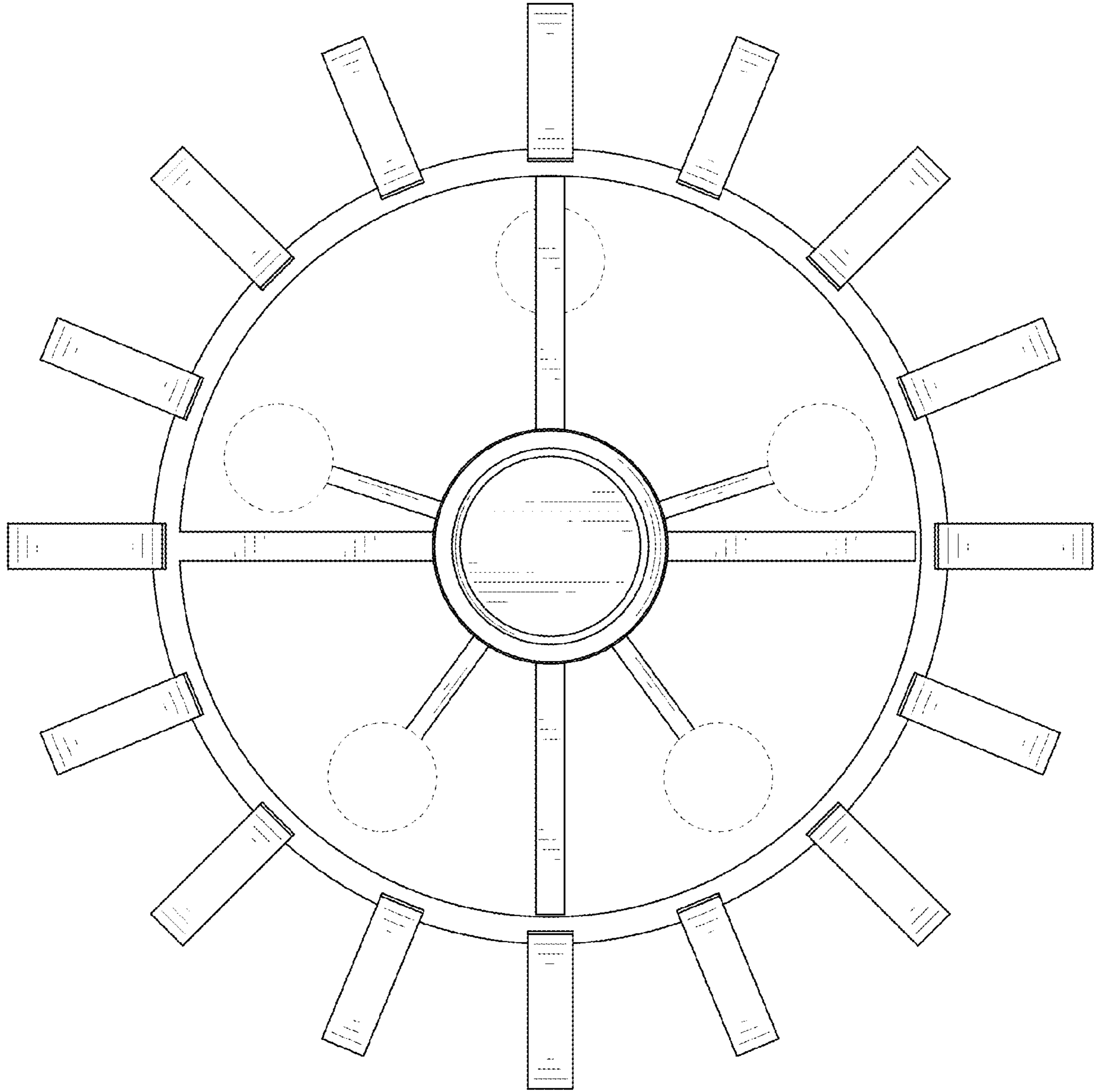


FIG. 7

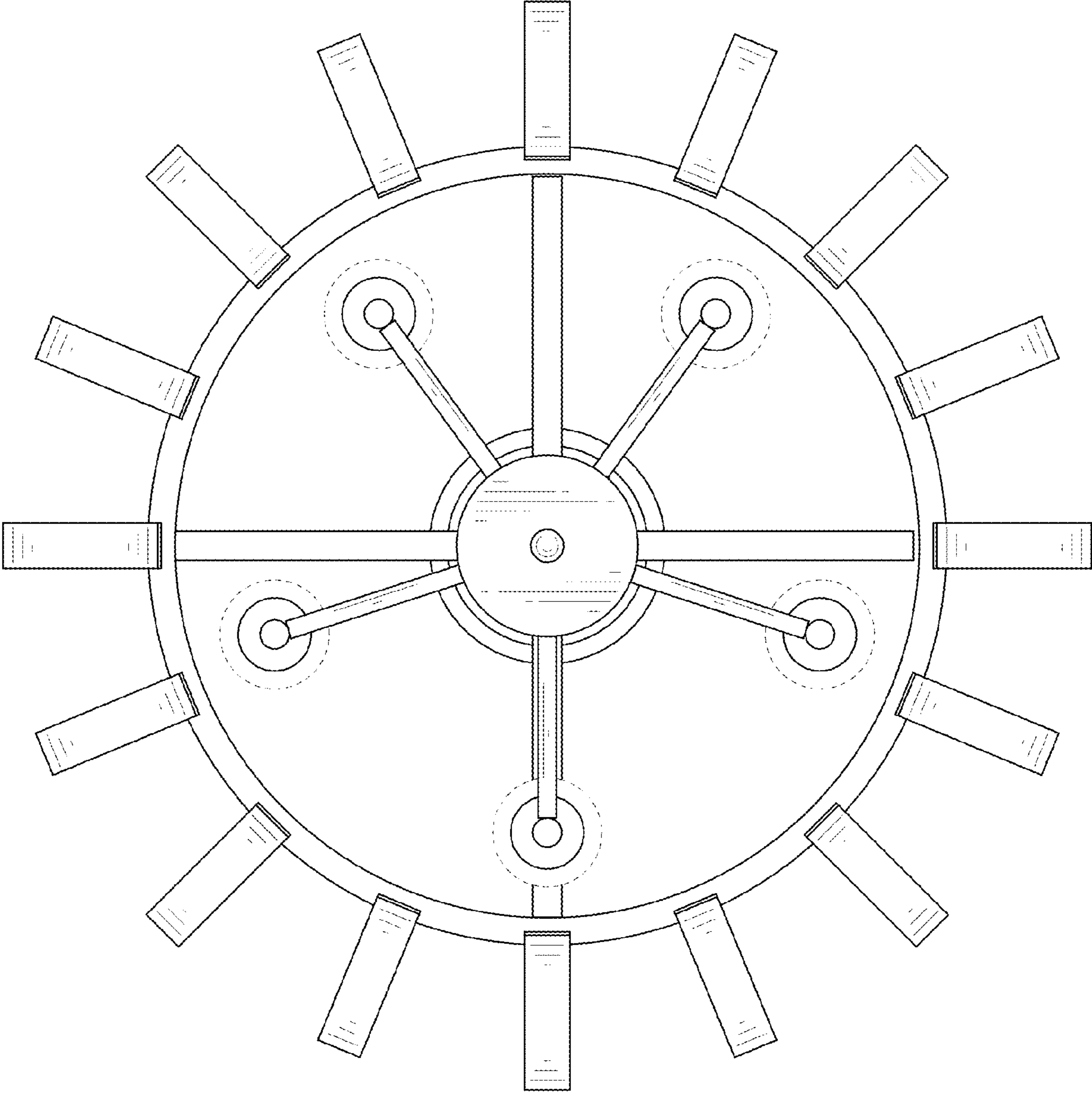


FIG. 8