



US00D895187S

(12) **United States Design Patent** (10) **Patent No.:** **US D895,187 S**  
**Farzan** (45) **Date of Patent:** **\*\* Sep. 1, 2020**

(54) **RECESSED LIGHTING FIXTURE**  
(71) Applicant: **Nora Lighting, Inc.**, Commerce, CA (US)  
(72) Inventor: **Fred Farzan**, Beverly Hills, CA (US)  
(73) Assignee: **NORA LIGHTING, INC.**, Commerce, CA (US)

7,478,931 B2 1/2009 Miletich  
D596,330 S 7/2009 Pickard  
D611,644 S 3/2010 Tsai  
D613,444 S 4/2010 Rashidi  
D617,934 S 6/2010 Rashidi  
D624,688 S 9/2010 Johnson  
D641,909 S 7/2011 Johnson  
D642,317 S 7/2011 Rashidi  
D715,476 S \* 10/2014 Tien ..... D26/74  
9,671,091 B2 6/2017 Jones  
(Continued)

(\*\*) Term: **15 Years**

(21) Appl. No.: **29/690,990**

(22) Filed: **May 13, 2019**

**Related U.S. Application Data**

(62) Division of application No. 29/591,403, filed on Jan. 19, 2017, now Pat. No. Des. 848,657.

(51) **LOC (12) Cl.** ..... **26-05**

(52) **U.S. Cl.**  
USPC ..... **D26/74**

(58) **Field of Classification Search**  
USPC ..... D26/74, 72, 75, 76, 77, 78, 85, 88, 89,  
D26/118, 138, 141, 61; 362/364, 365,  
362/373, 145, 146, 147, 148, 150, 153,  
362/153.1, 294, 296.01, 296, 296.08  
CPC ..... F21V 29/2262; F21V 7/06; F21V 21/044;  
F21V 21/047; F21V 29/2212; F21V  
29/2225; F21V 29/2256; F21V 29/225;  
F21V 29/2268; F21Y 2111/002; F21S  
8/02; F21S 8/026  
See application file for complete search history.

(56) **References Cited**

**U.S. PATENT DOCUMENTS**

5,440,471 A \* 8/1995 Zadeh ..... F21V 23/02  
362/147  
5,662,414 A 9/1997 Jennings  
D550,868 S 9/2007 Egawa et al.  
D571,944 S 6/2008 Pickard

**OTHER PUBLICATIONS**

Taiwan Office Action, Appl. No. 106304088—Based on Priority U.S. Appl. No. 29/591,403, dated Mar. 1, 2018.

(Continued)

*Primary Examiner* — Angela J Lee

(74) *Attorney, Agent, or Firm* — K&L Gates LLP

(57) **CLAIM**

The ornamental design for a recessed lighting fixture, as shown and described herein.

**DESCRIPTION**

FIG. 1 illustrates view of the front side of a recessed lighting fixture.

FIG. 2 illustrates a cross-sectional view of the recessed lighting fixture.

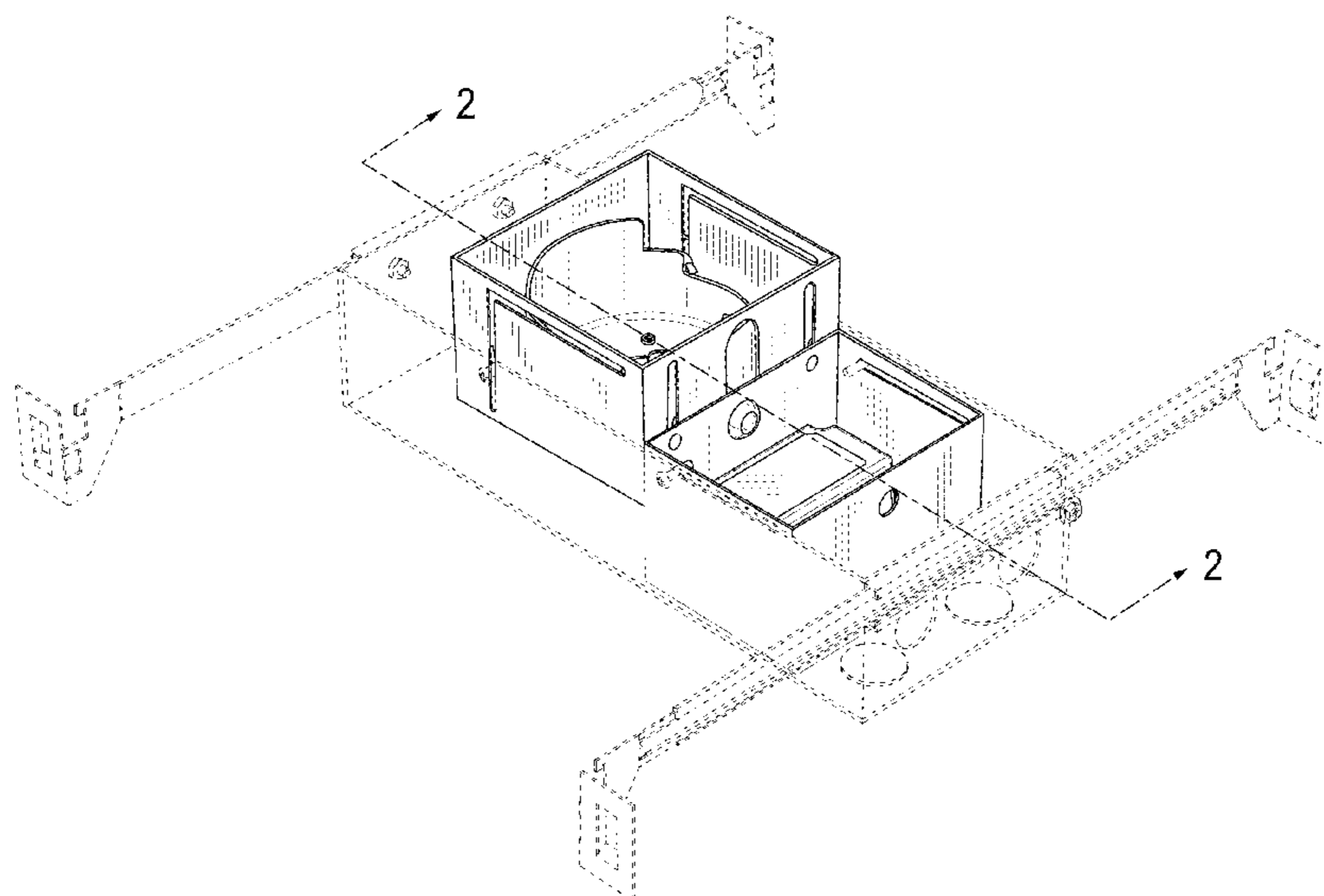
FIG. 3 illustrates a perspective view of the recessed lighting fixture and includes a cut plane that is indicative of the cross-sectional view of FIG. 2.

FIG. 4 illustrates a bottom-up, view of the recessed lighting fixture; and,

FIG. 5 illustrates a perspective view of a top side of the recessed lighting fixture.

In the drawings, the broken lines represent portions of the recessed lighting fixture that form no part of the claimed design.

**1 Claim, 5 Drawing Sheets**



(56)

**References Cited**

U.S. PATENT DOCUMENTS

D791,382	S	7/2017	Holscher	
9,726,354	B1	8/2017	Delano et al.	
D824,567	S *	7/2018	Farzan .....	D26/74
2007/0268708	A1	11/2007	O'Brien	
2008/0304269	A1 *	12/2008	Pickard .....	F21V 21/048 362/365
2009/0080189	A1	3/2009	Wegner	
2009/0086476	A1 *	4/2009	Tickner .....	F21S 8/02 362/231
2009/0290343	A1	11/2009	Brown	
2010/0014982	A1	6/2010	Cogliano	
2012/0320577	A1	12/2012	Wang	
2014/0233246	A1	8/2014	Lafreniere	
2017/0138576	A1	5/2017	Peng	
2017/0167699	A1 *	6/2017	Schubert .....	F21S 8/026
2017/0248298	A1 *	8/2017	Wu .....	F21V 25/125
2017/0268742	A1 *	9/2017	White .....	F21V 29/70
2017/0307188	A1	10/2017	Oudina et al.	
2017/0307201	A1 *	10/2017	Mathews .....	F21V 29/70
2018/0119907	A1 *	5/2018	O'Brien .....	F21V 21/048
2018/0187844	A1 *	7/2018	Lavin .....	F21S 8/026
2018/0202634	A1 *	7/2018	Farzan .....	F21V 23/009

OTHER PUBLICATIONS

Taiwan Office Action, Appl. No. 106304088 dated Jul. 16, 2018—2 pages.

Search Report for Taiwan Patent Appl. No. 106304088, dated Jul. 16, 2018—1 page.

U.S. Appl. No. 15/865,981 Non-Final Office Action, dated Mar. 8, 2018.

\* cited by examiner

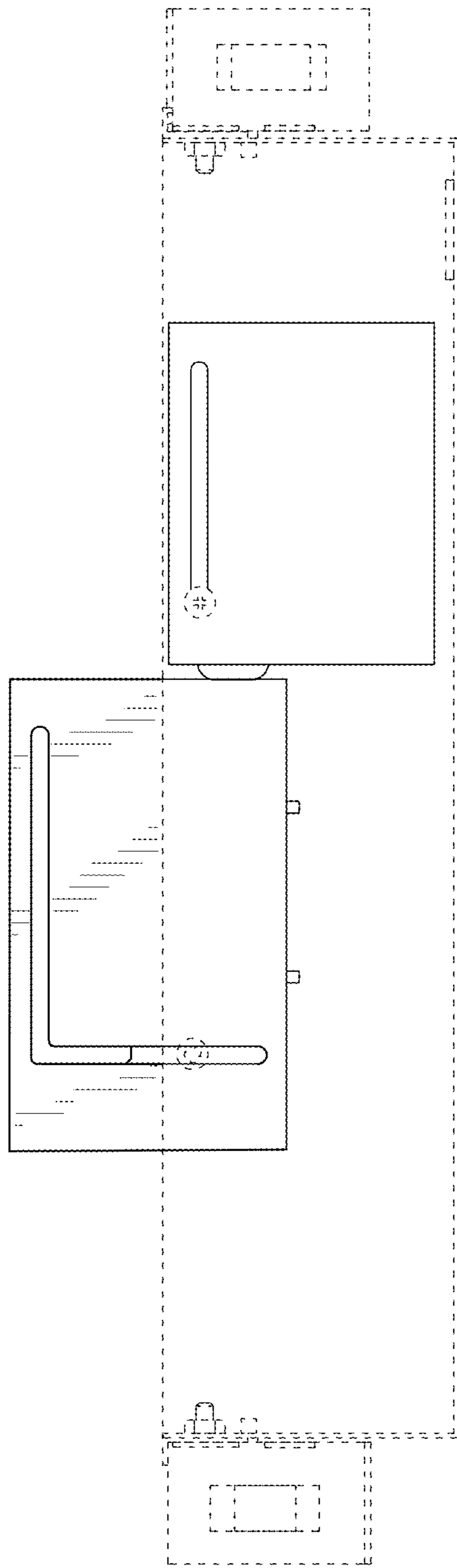


FIG. 1

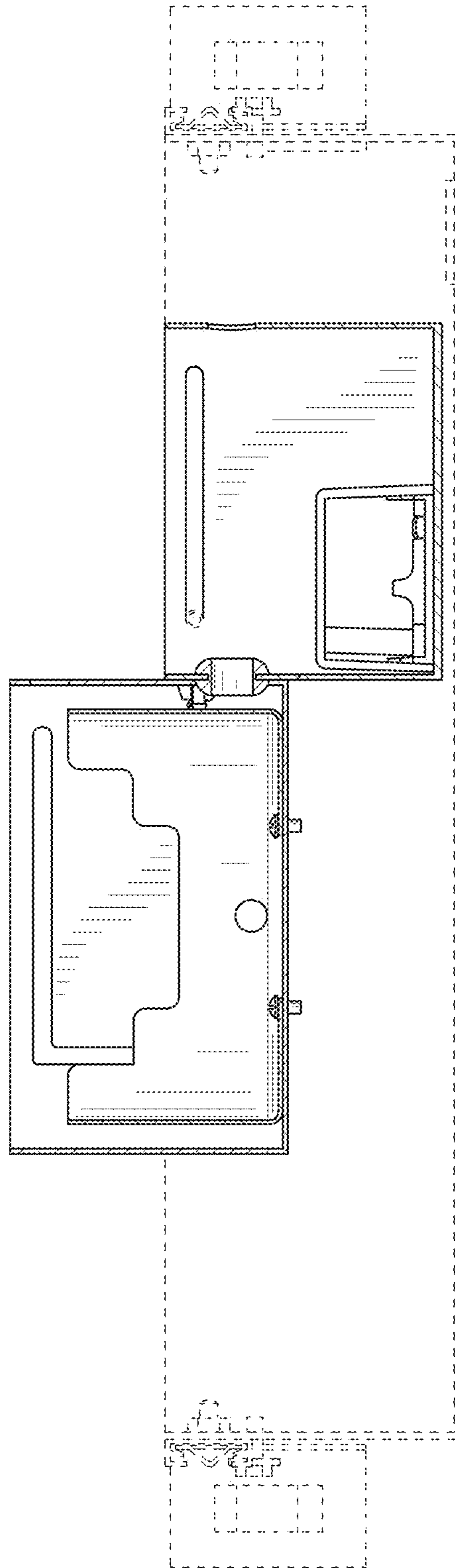


FIG. 2

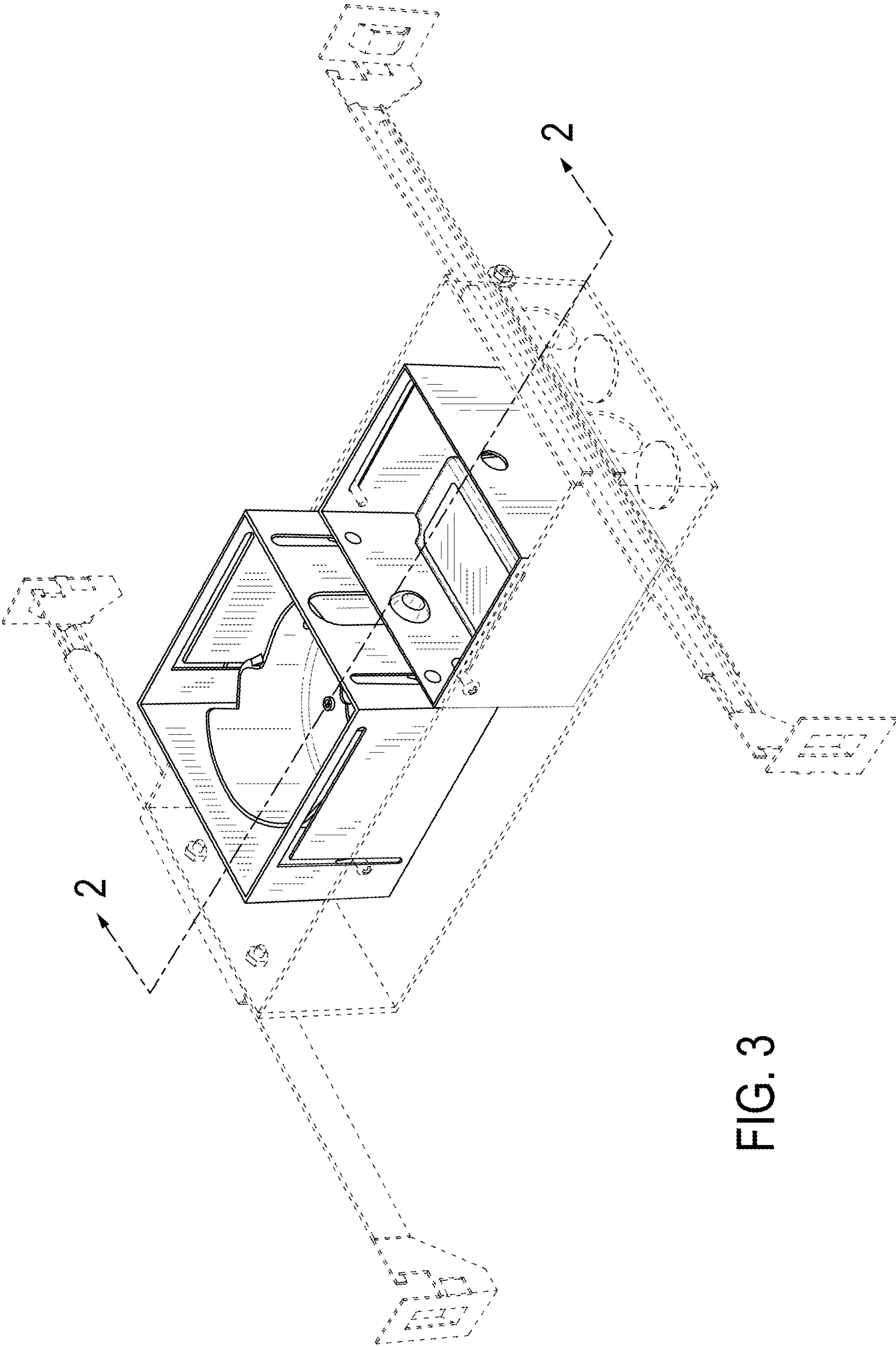


FIG. 3

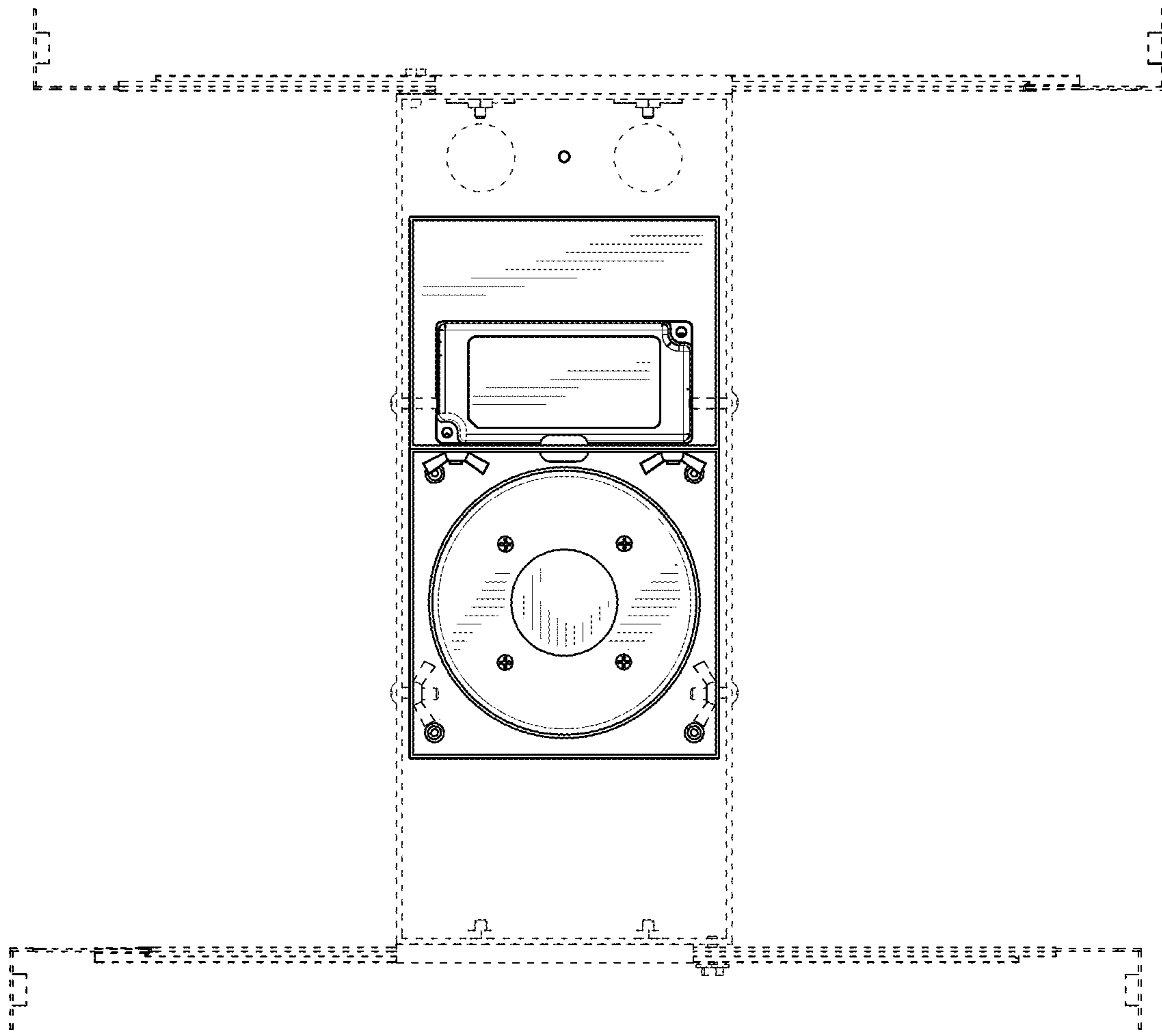


FIG. 4

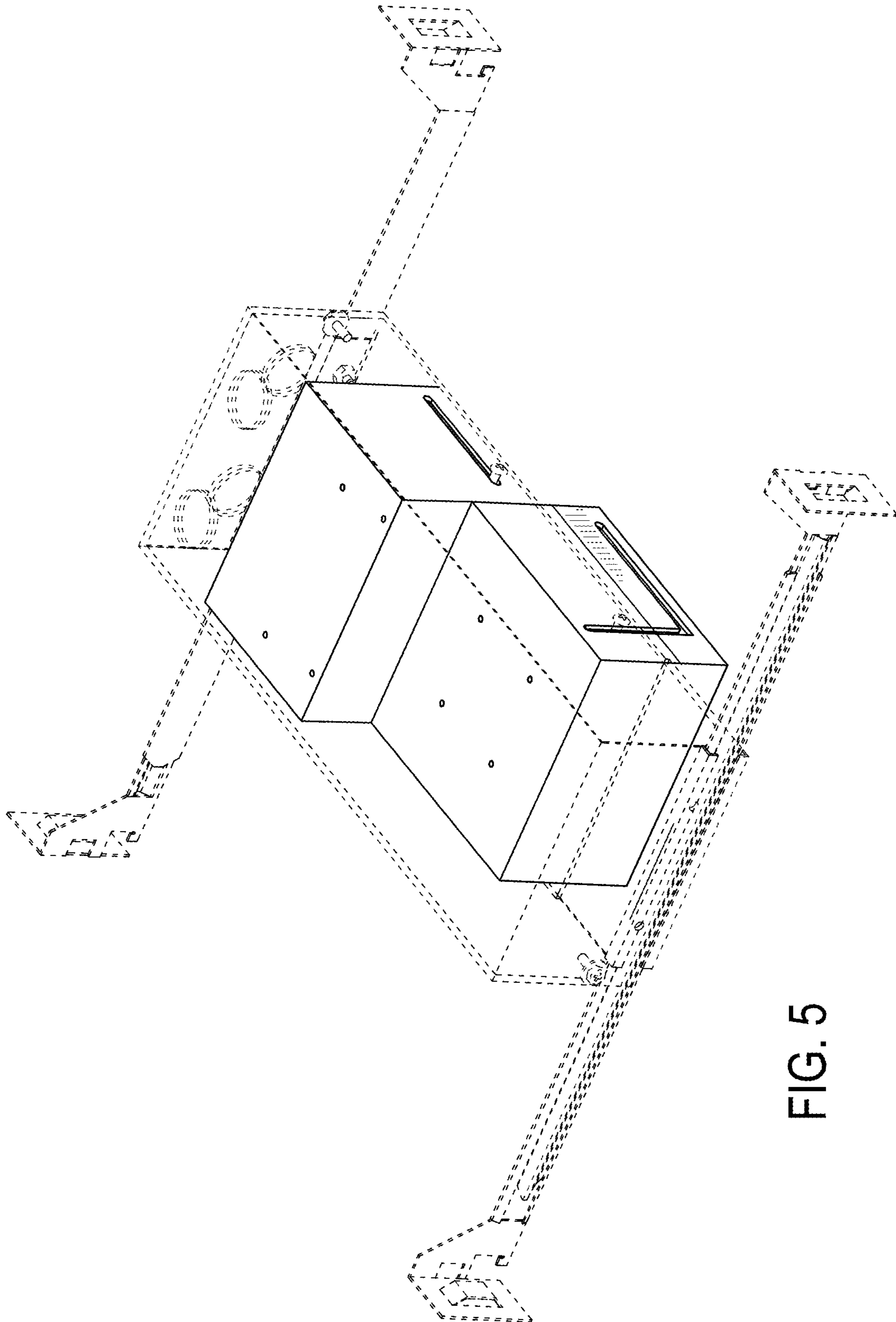


FIG. 5