



US00D895186S

(12) **United States Design Patent**
Merovitz et al.

(10) **Patent No.:** **US D895,186 S**

(45) **Date of Patent:** **** Sep. 1, 2020**

(54) **WORK LAMP**

(71) Applicant: **YourTruckShop Inc.**, Laval (CA)

(72) Inventors: **David Merovitz**, Laval (CA); **Rick Merovitz**, Laval (CA)

(73) Assignee: **YOURTRUCKSTOP INC.**, Laval (CA)

(**) Term: **15 Years**

(21) Appl. No.: **29/681,915**

(22) Filed: **Feb. 28, 2019**

(51) **LOC (12) Cl.** **26-03**

(52) **U.S. Cl.**
USPC **D26/63**

(58) **Field of Classification Search**
USPC D26/1, 24, 61, 63, 65, 85, 92
CPC F21V 21/14; F21V 15/01; F21V 14/02;
F21V 21/30; F21V 21/00; F21V 14/00;
F21S 8/00; F21S 8/003; F21S 8/043;
F21Y 2105/001
See application file for complete search history.

(56) **References Cited**

U.S. PATENT DOCUMENTS

D572,856 S * 7/2008 Kehl D26/61
D634,871 S * 3/2011 Wooh D26/63

D702,866 S * 4/2014 Blincoe D26/63
D789,581 S * 6/2017 Peard D26/61
D815,769 S * 4/2018 Gong D26/63
D825,806 S * 8/2018 Jurik D26/63
D845,530 S * 4/2019 Yu D26/63

* cited by examiner

Primary Examiner — Brian N. Vinson

(74) *Attorney, Agent, or Firm* — Blank Rome LLP

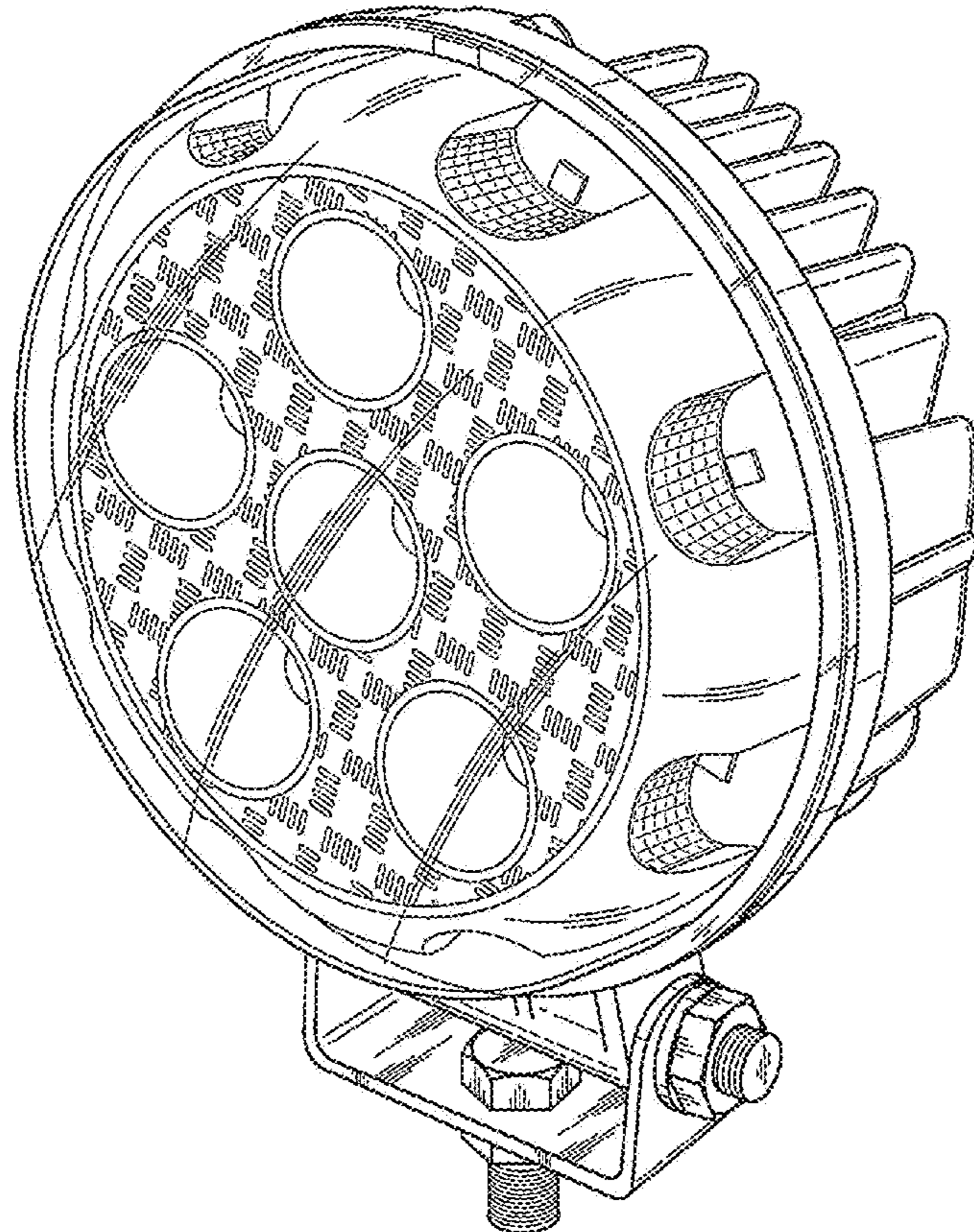
(57) **CLAIM**

The ornamental design for the work lamp, as shown and described.

DESCRIPTION

FIG. 1 is a front perspective view of a work lamp showing the new design;
FIG. 2 is a front view of a work lamp showing the new design;
FIG. 3 is a rear view of a work lamp showing the new design;
FIG. 4 is a left side view of a work lamp showing the new design;
FIG. 5 is a right side view of a work lamp showing the new design;
FIG. 6 is a top view of a work lamp showing the new design;
and,
FIG. 7 is a bottom view of a work lamp showing my new design.

1 Claim, 7 Drawing Sheets



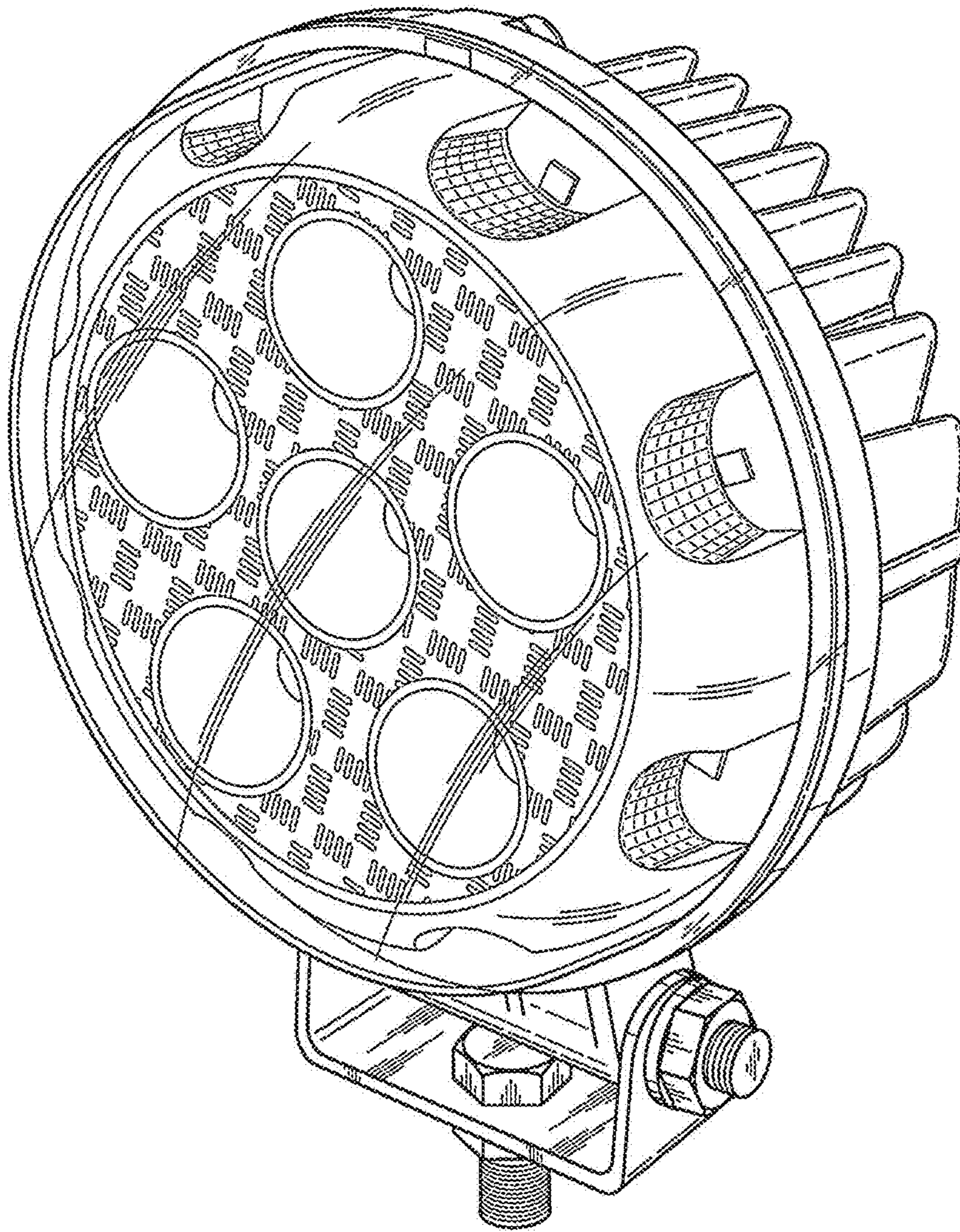


FIG. 1

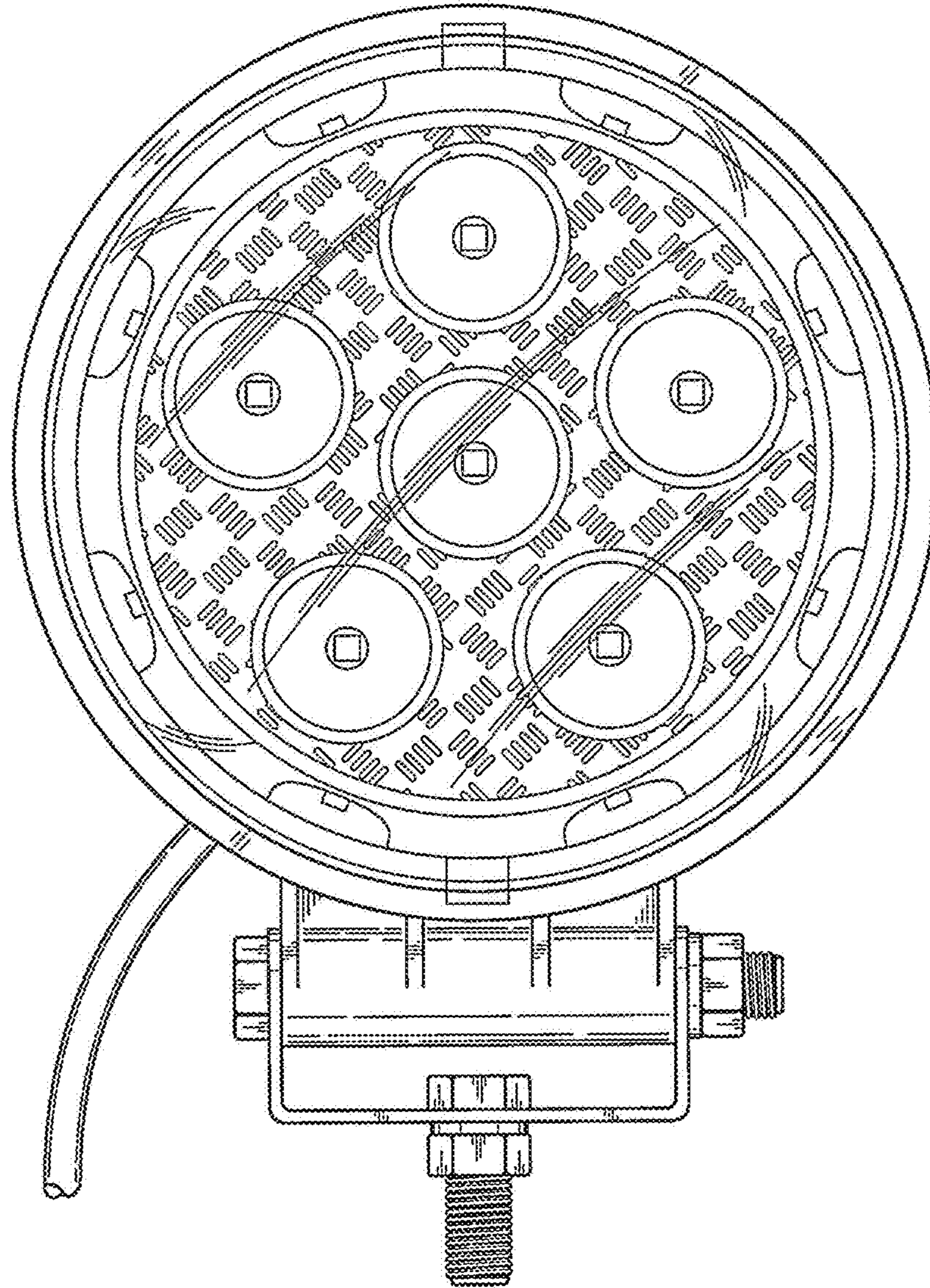


FIG. 2

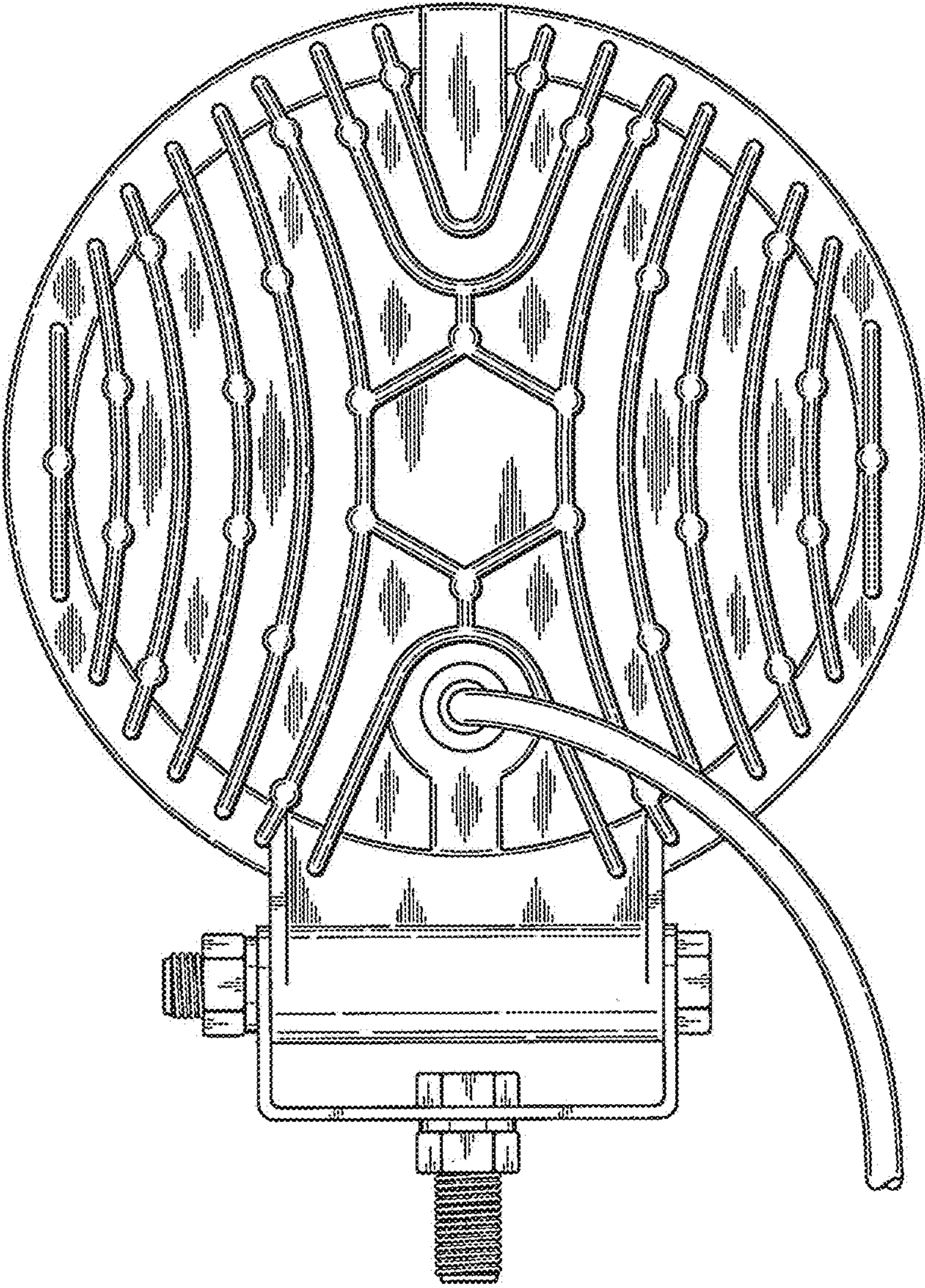


FIG. 3

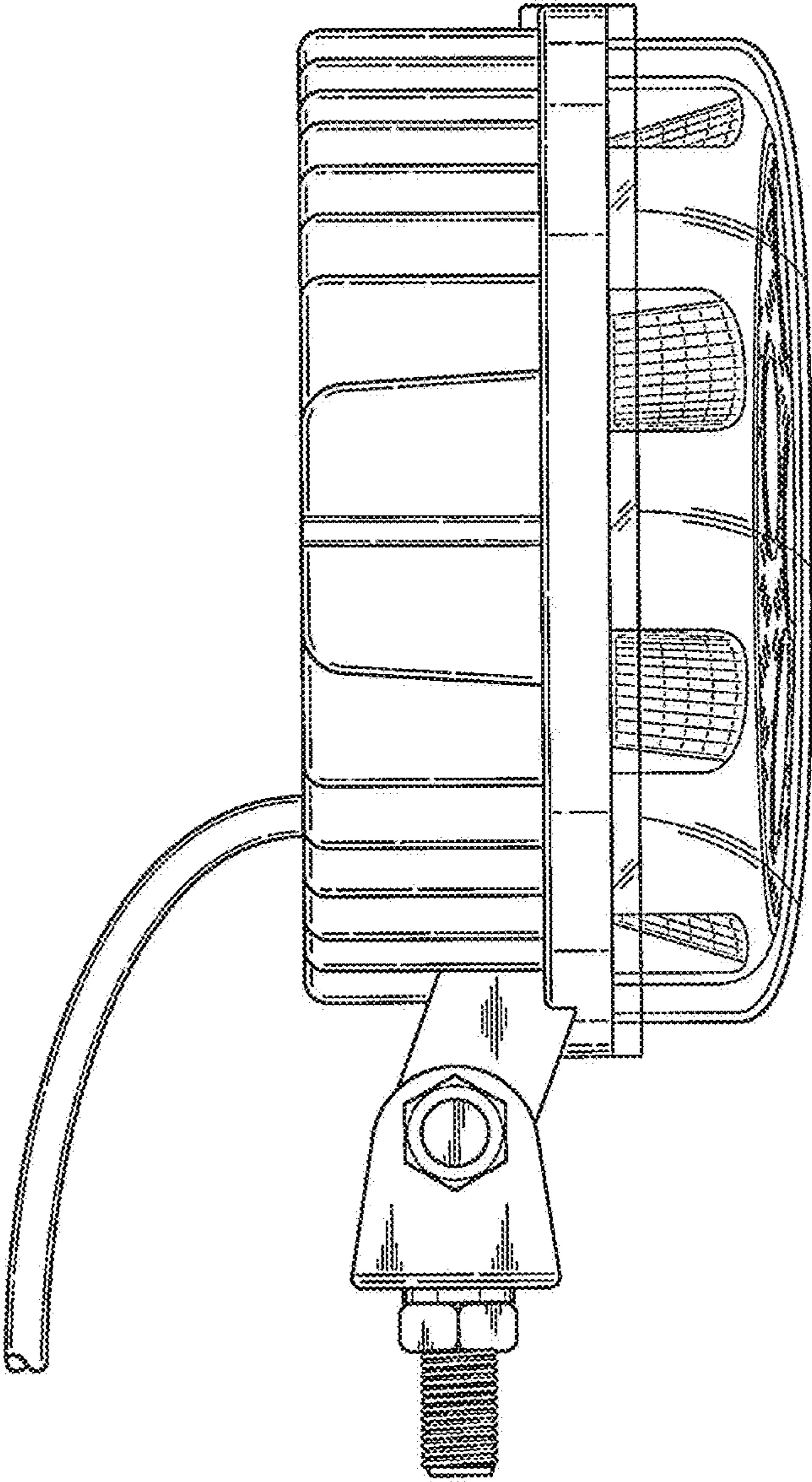


FIG. 4

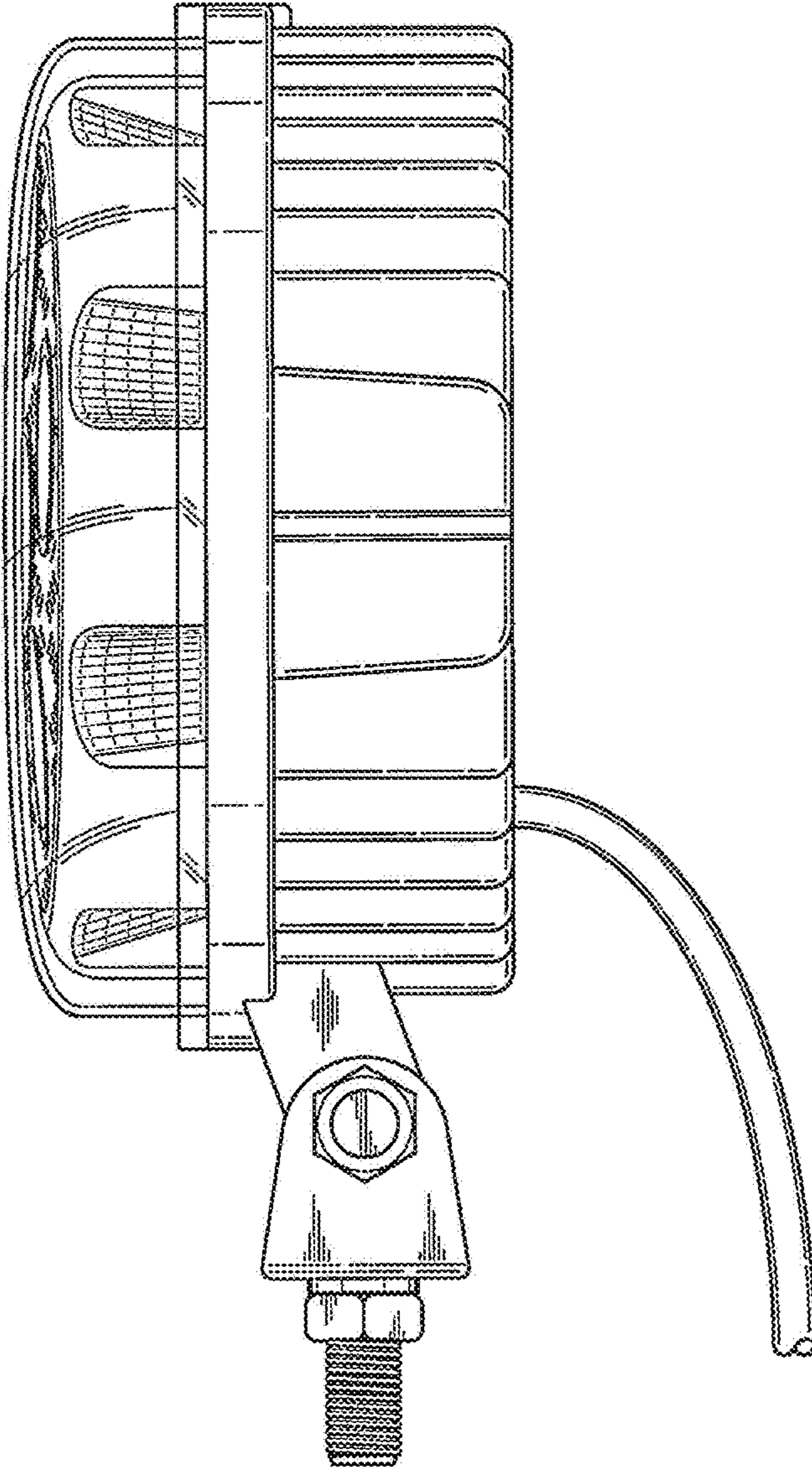


FIG. 5

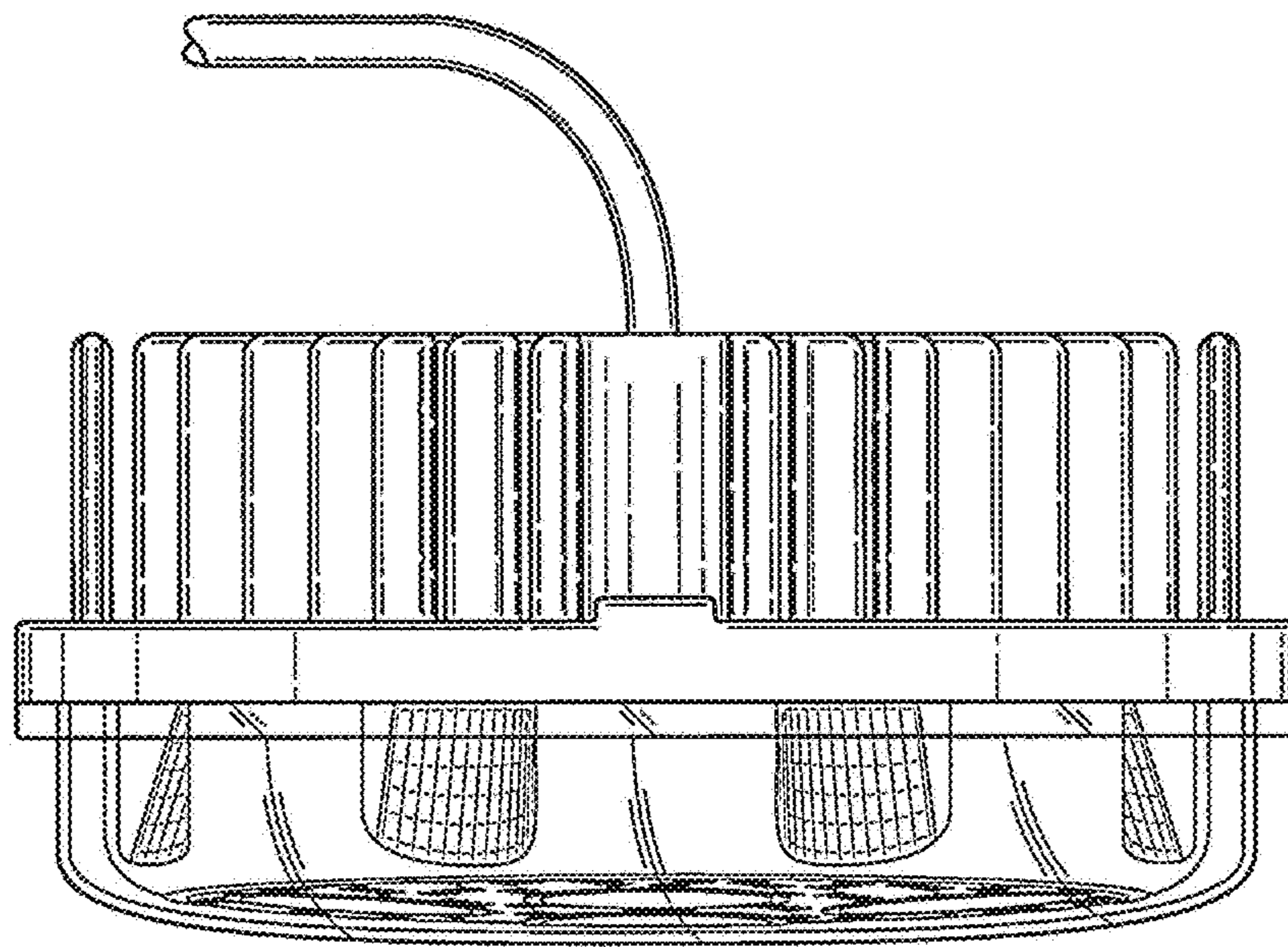


FIG. 6

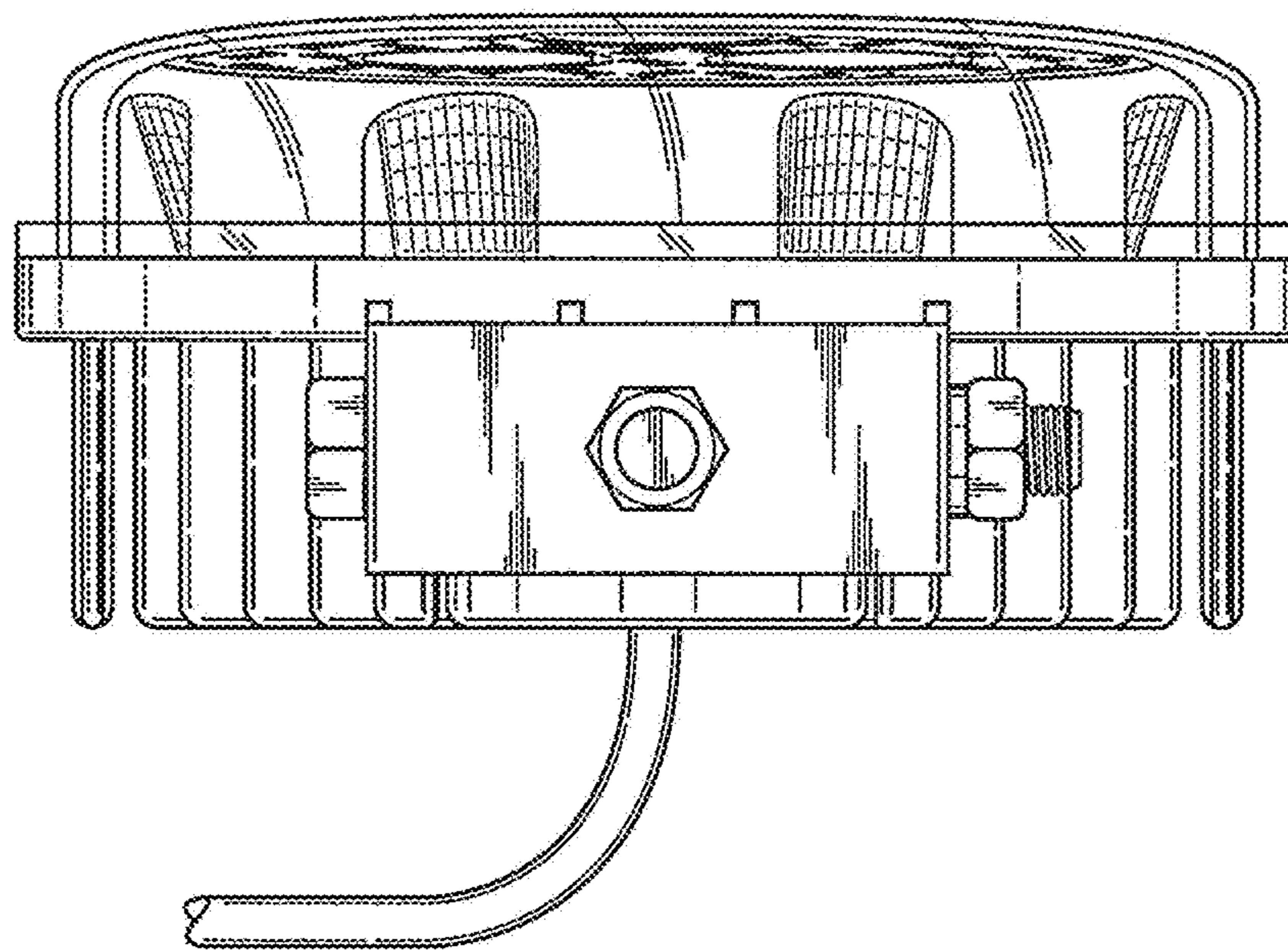


FIG. 7