

US00D895183S

(12) **United States Design Patent** (10) **Patent No.:** **US D895,183 S**
Qiu (45) **Date of Patent:** **** Sep. 1, 2020**

(54) **FLASHLIGHT**

(71) Applicant: **NINGBO FUTAI ELECTRIC LIMITED**, Ningbo, Zhejiang (CN)

(72) Inventor: **Fujun Qiu**, Ningbo (CN)

(73) Assignee: **NINGBO FUTAI ELECTRIC LIMITED**, Ningbo, Zhejiang (CN)

(**) Term: **15 Years**

(21) Appl. No.: **29/664,807**

(22) Filed: **Sep. 27, 2018**

(51) **LOC (12) Cl.** **26-02**

(52) **U.S. Cl.**
USPC **D26/49**

(58) **Field of Classification Search**
USPC D26/37-51
CPC F21L 2003/00; F21L 4/00; F21L 4/005;
F21L 4/02; F21L 4/025; F21L 4/027;
F21L 4/04; F21L 4/08; F21L 2005/00;
F21L 7/00; F21L 11/00; F21L 13/00;
F21L 13/04; F21L 13/08; F21L 14/02;
F21L 17/00; F21L 19/00; F21L 25/00

See application file for complete search history.

(56) **References Cited**

U.S. PATENT DOCUMENTS

D481,147 S	*	10/2003	Yang	D26/49
D515,230 S	*	2/2006	Galli	D26/49
D521,166 S	*	5/2006	Yamamoto	D26/37
D709,231 S	*	7/2014	Nguyen	D26/49
D745,200 S	*	12/2015	Inskeep	D26/49
D767,805 S	*	9/2016	Son	D26/49
D803,445 S	*	11/2017	Inskeep	D26/49
D814,087 S	*	3/2018	Cao	D26/49
D828,940 S	*	9/2018	Qiu	D26/49
D833,051 S	*	11/2018	Qiu	D26/49

(Continued)

Primary Examiner — Lakiya G Rogers

Assistant Examiner — Carissa C Fitts

(74) Attorney, Agent, or Firm — Raymond Y. Chan;
David and Raymond Patent Firm

(57) **CLAIM**

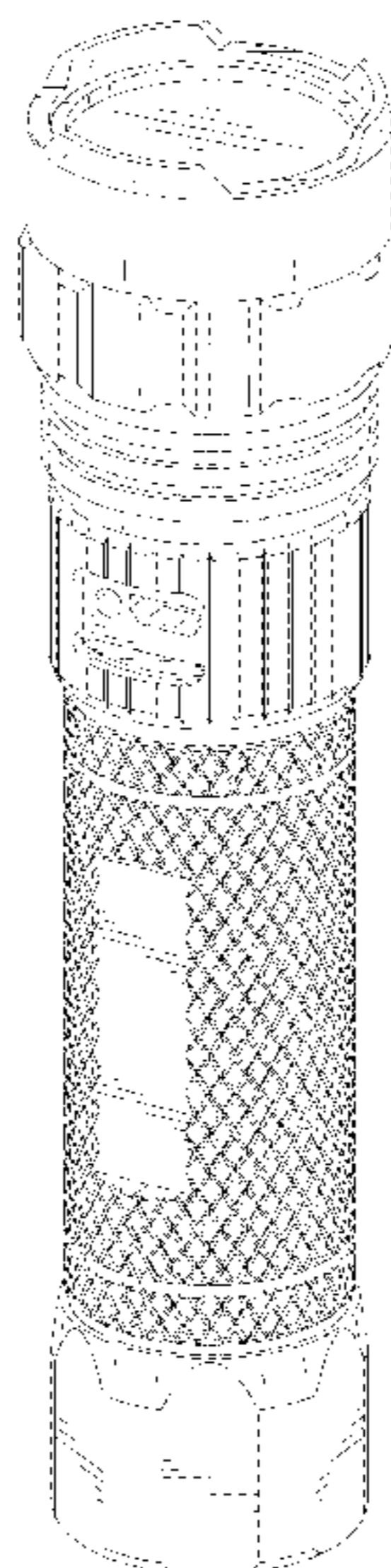
The ornamental design for a flashlight, as shown and described.

DESCRIPTION

FIG. 1 is a front view of the flashlight showing my new design;
 FIG. 2 is a rear view thereof;
 FIG. 3 is a left view thereof;
 FIG. 4 is a right view thereof;
 FIG. 5 is a top view thereof;
 FIG. 6 is a bottom view thereof;
 FIG. 7 is a front perspective view thereof;
 FIG. 8 is a rear perspective view thereof;
 FIG. 9 is a bottom perspective view thereof;
 FIG. 10 illustrates an alternative mode of the flashlight of my new design;
 FIG. 11 is a rear view of the alternative mode of the flashlight;
 FIG. 12 is a left view of the alternative mode of the flashlight;
 FIG. 13 is a right view of the alternative mode of the flashlight;
 FIG. 14 is a top view of the alternative mode of the flashlight;
 FIG. 15 is a bottom view of the alternative mode of the flashlight;
 FIG. 16 is a front perspective view of the alternative mode of the flashlight;
 FIG. 17 is a rear perspective view of the alternative mode of the flashlight; and,
 FIG. 18 is a bottom perspective view of the alternative mode of the flashlight.

The broken lines show portions of the claim which form no part of the claimed design.

1 Claim, 18 Drawing Sheets



(56)

References Cited

U.S. PATENT DOCUMENTS

D842,515 S	*	3/2019	Qiu	D26/49
D843,624 S	*	3/2019	Son	D26/49
D853,610 S	*	7/2019	Galli	D26/49
D854,209 S	*	7/2019	Liu	D26/49
D861,216 S	*	9/2019	Li	D26/49

* cited by examiner

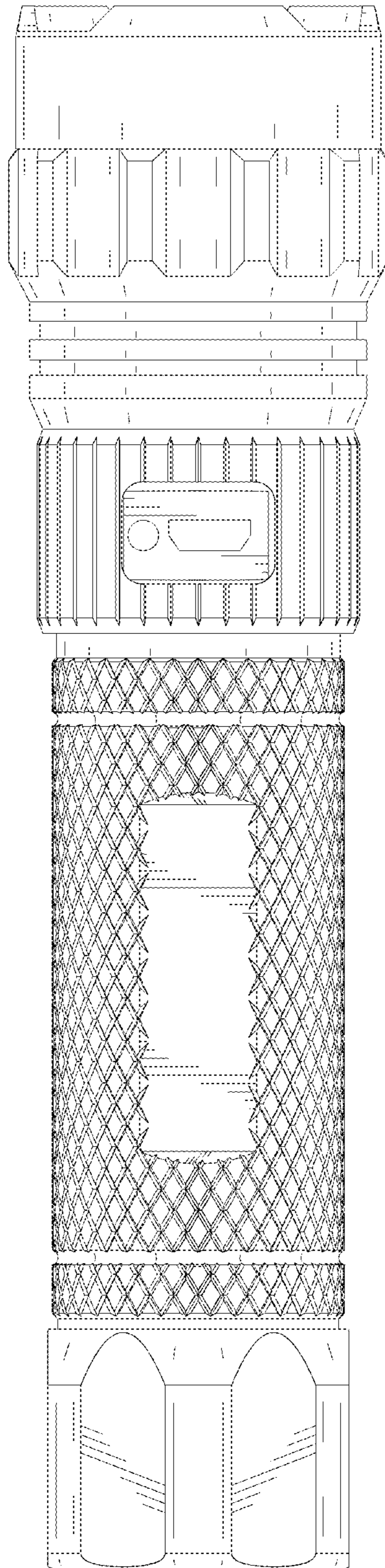


FIG.1

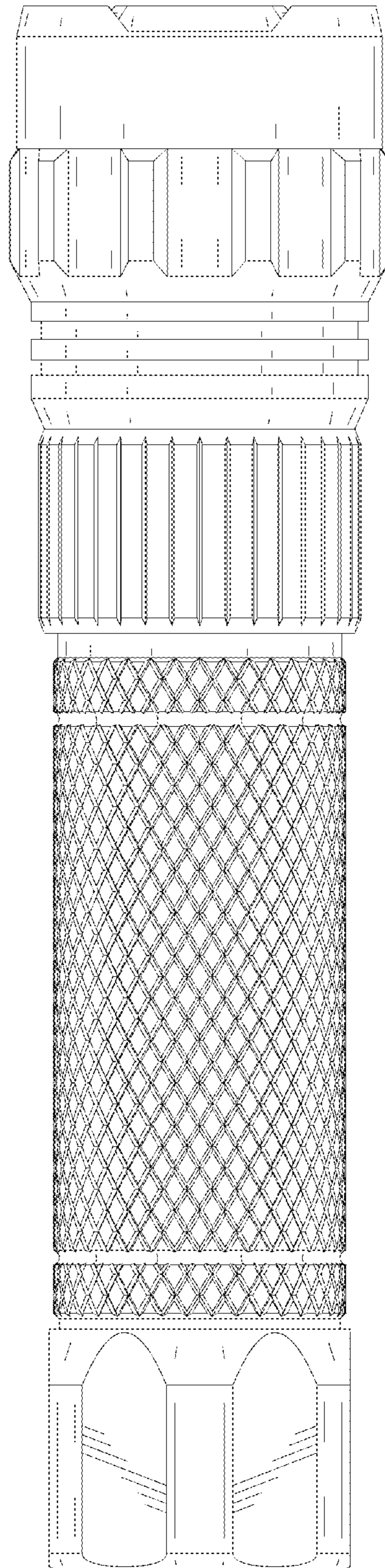


FIG.2

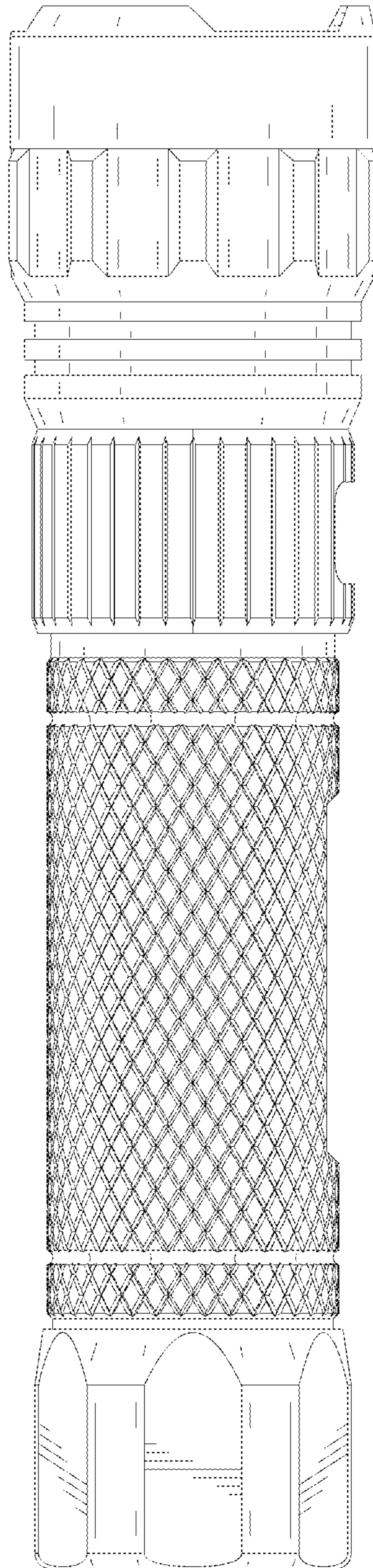


FIG.3

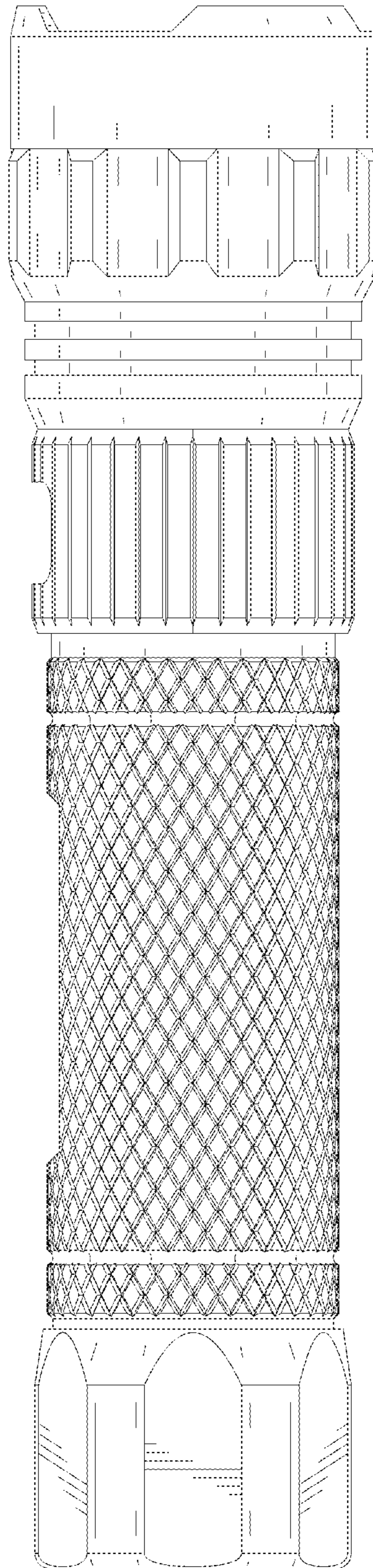


FIG.4

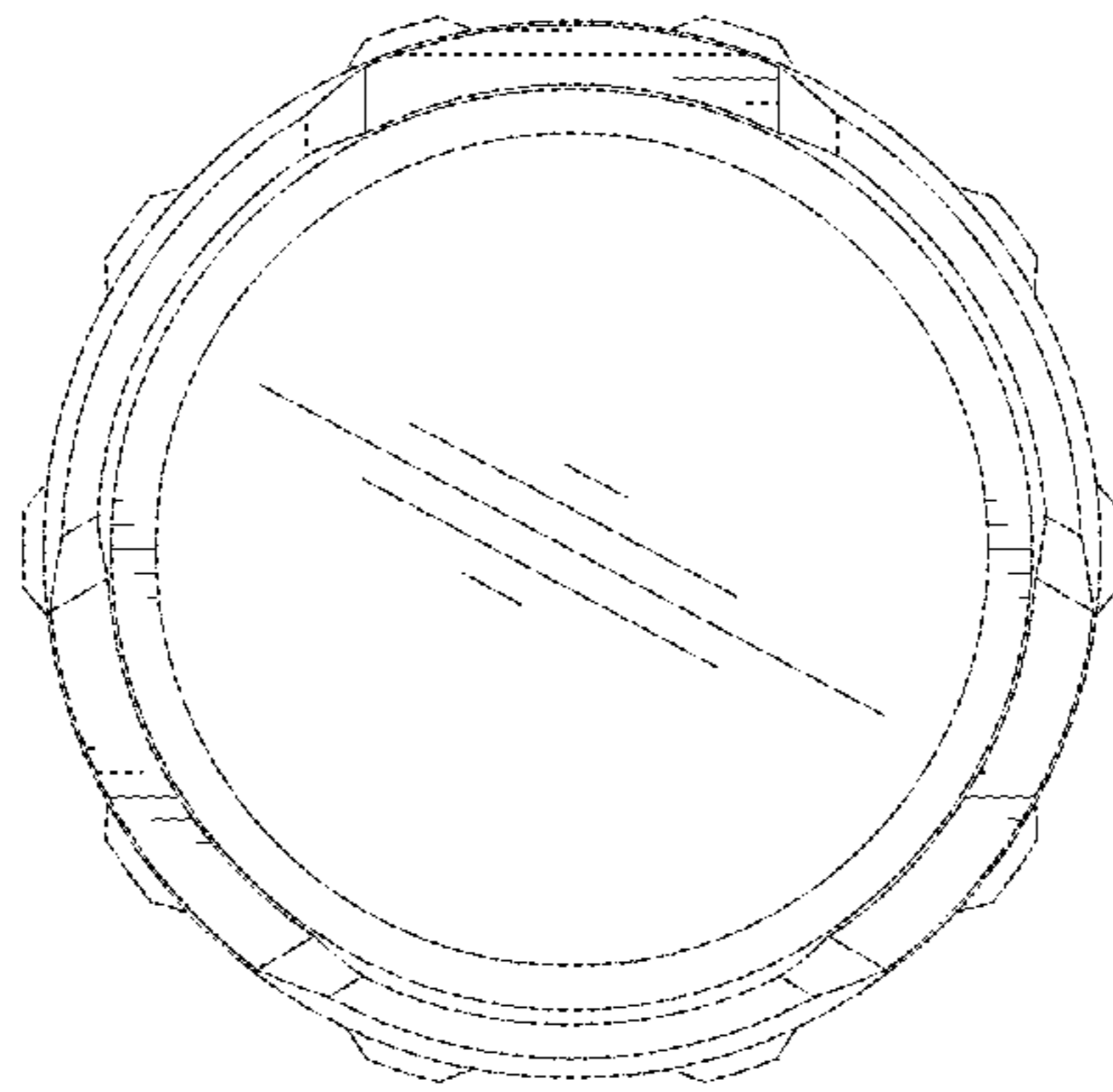


FIG.5

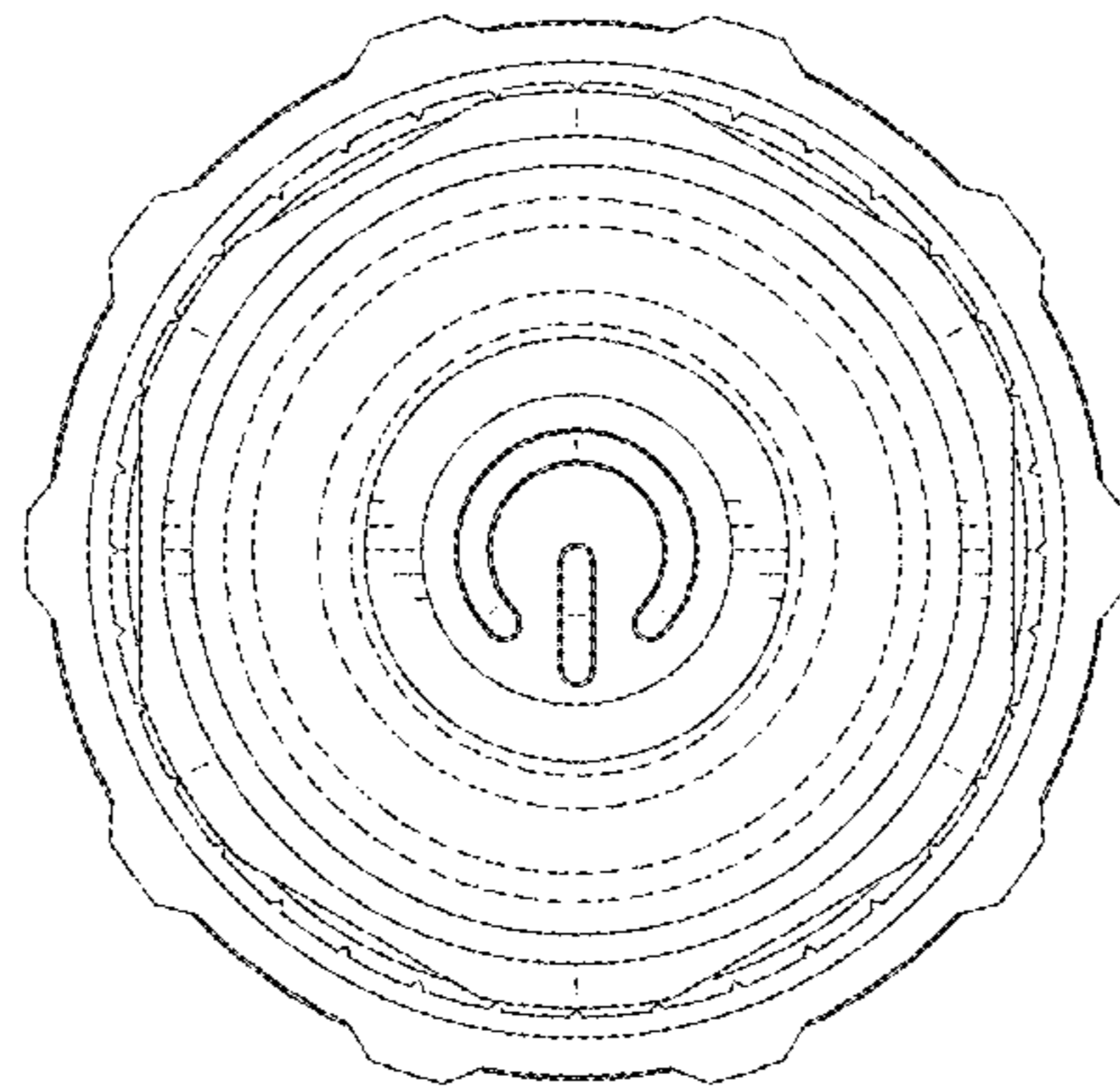


FIG.6

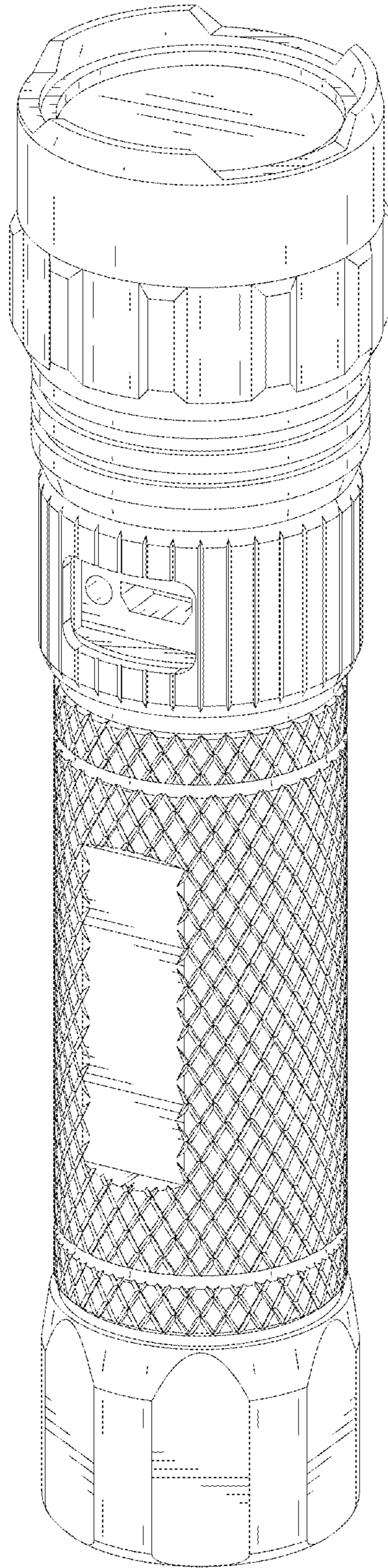


FIG.7

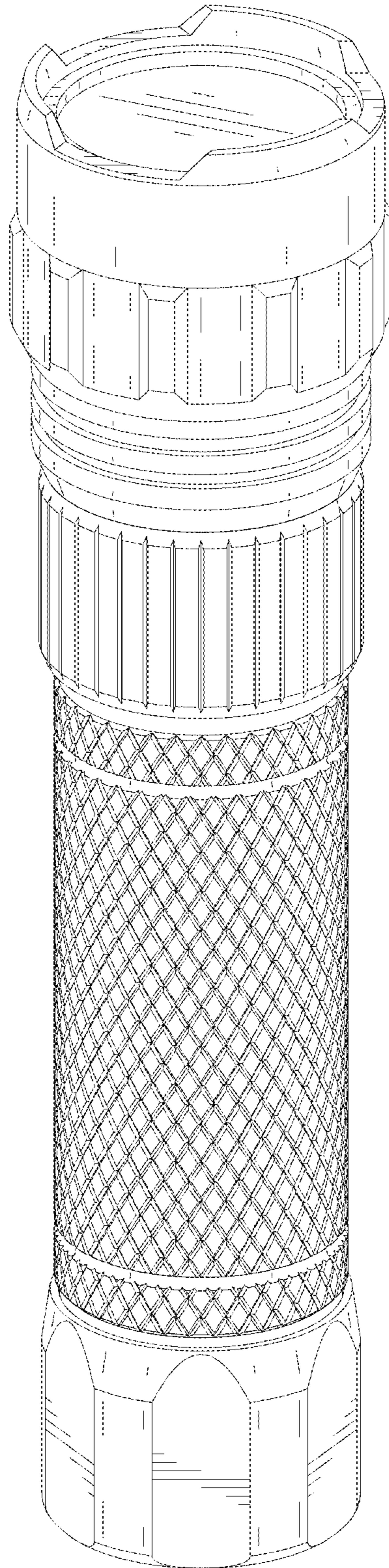


FIG.8

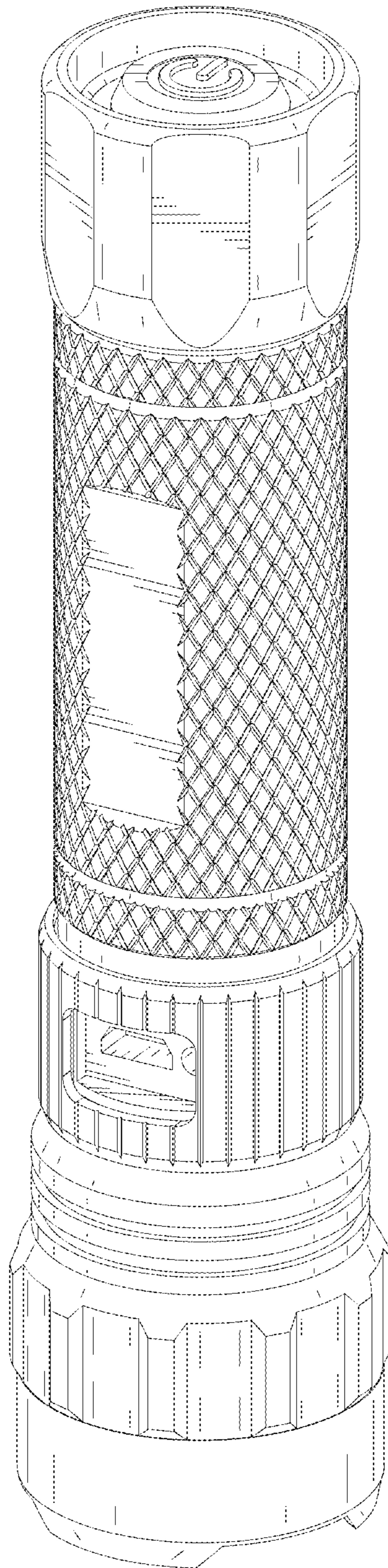


FIG.9

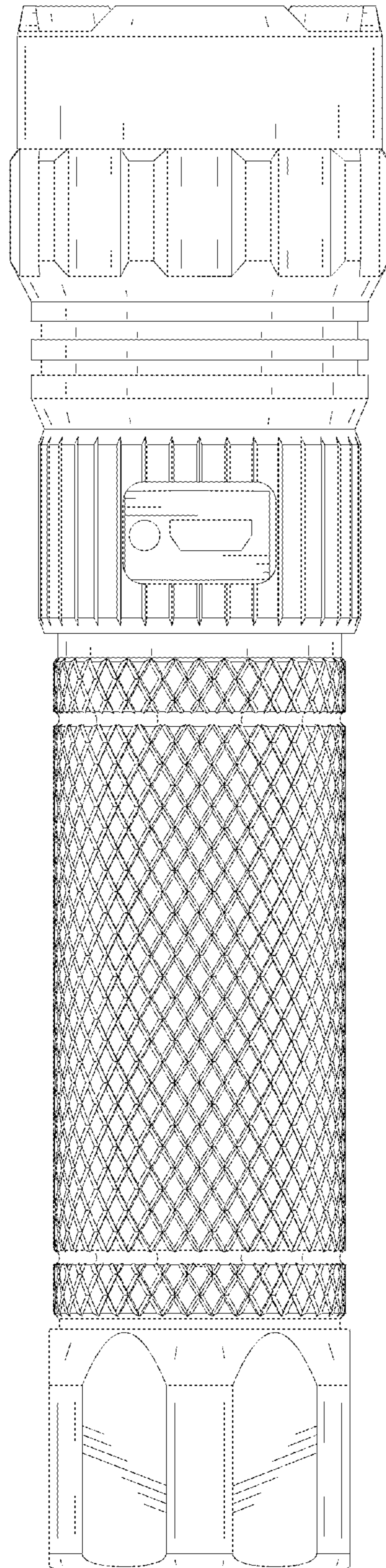


FIG.10

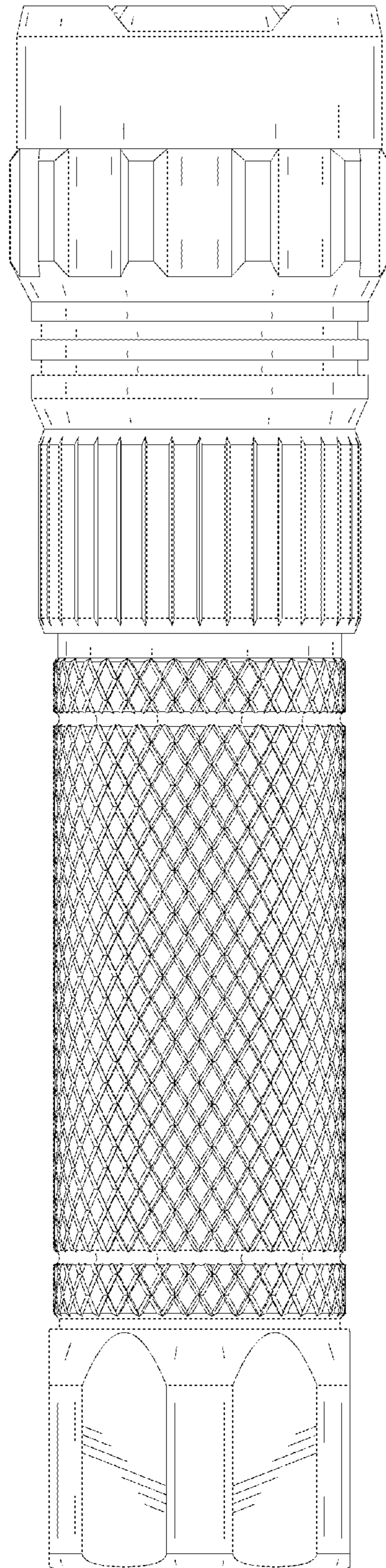


FIG.11

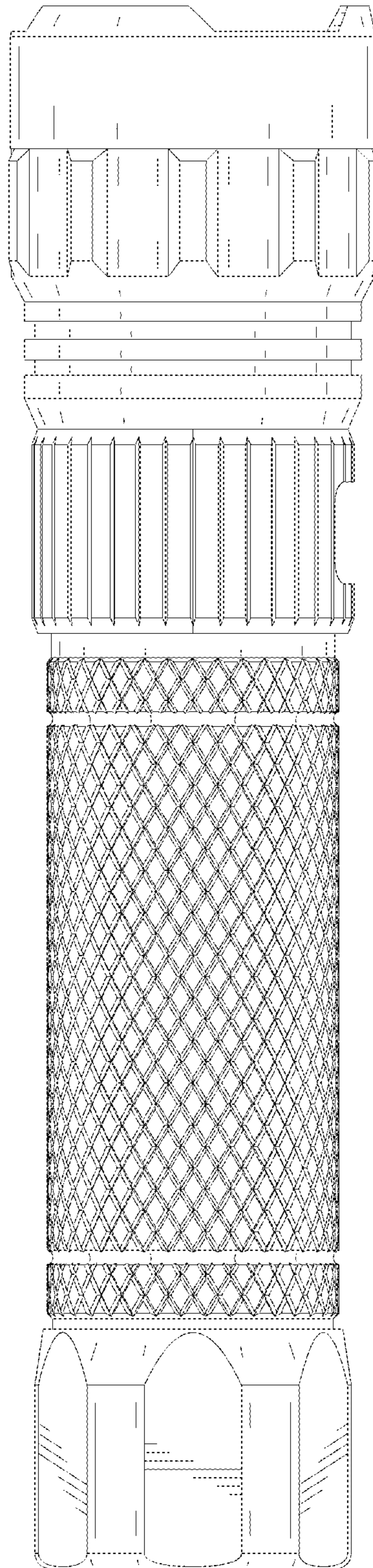


FIG.12

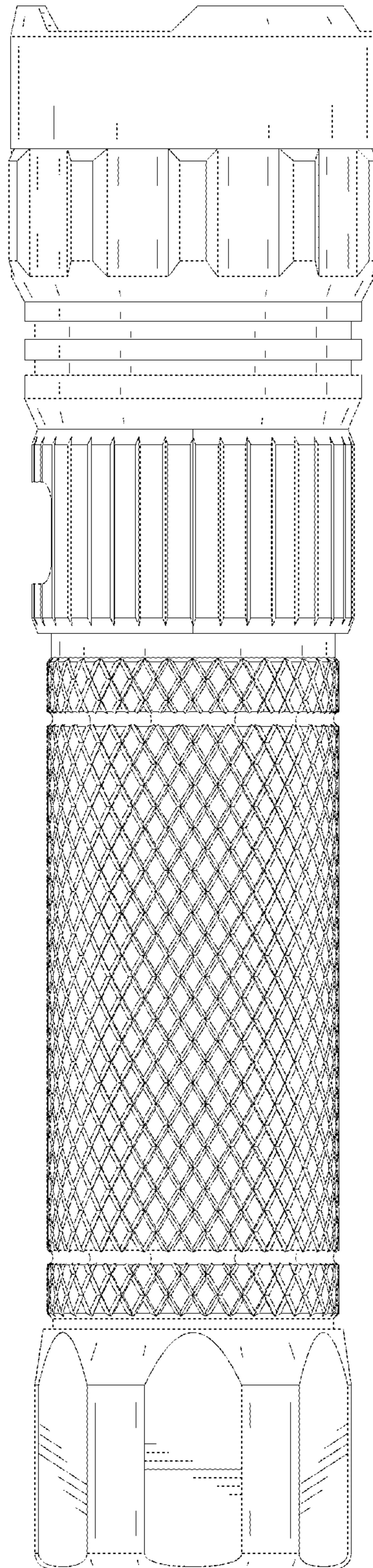


FIG.13

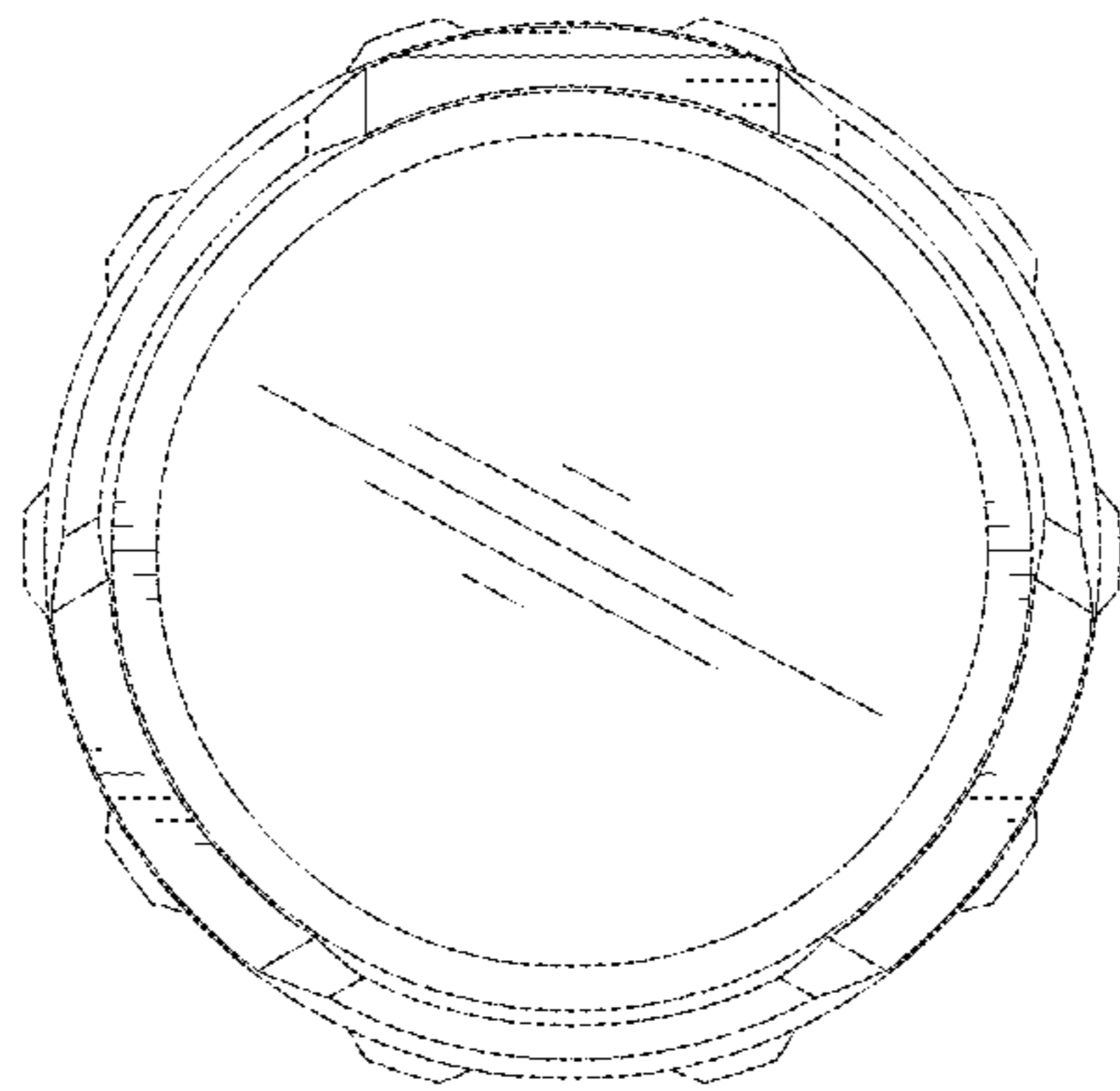


FIG.14

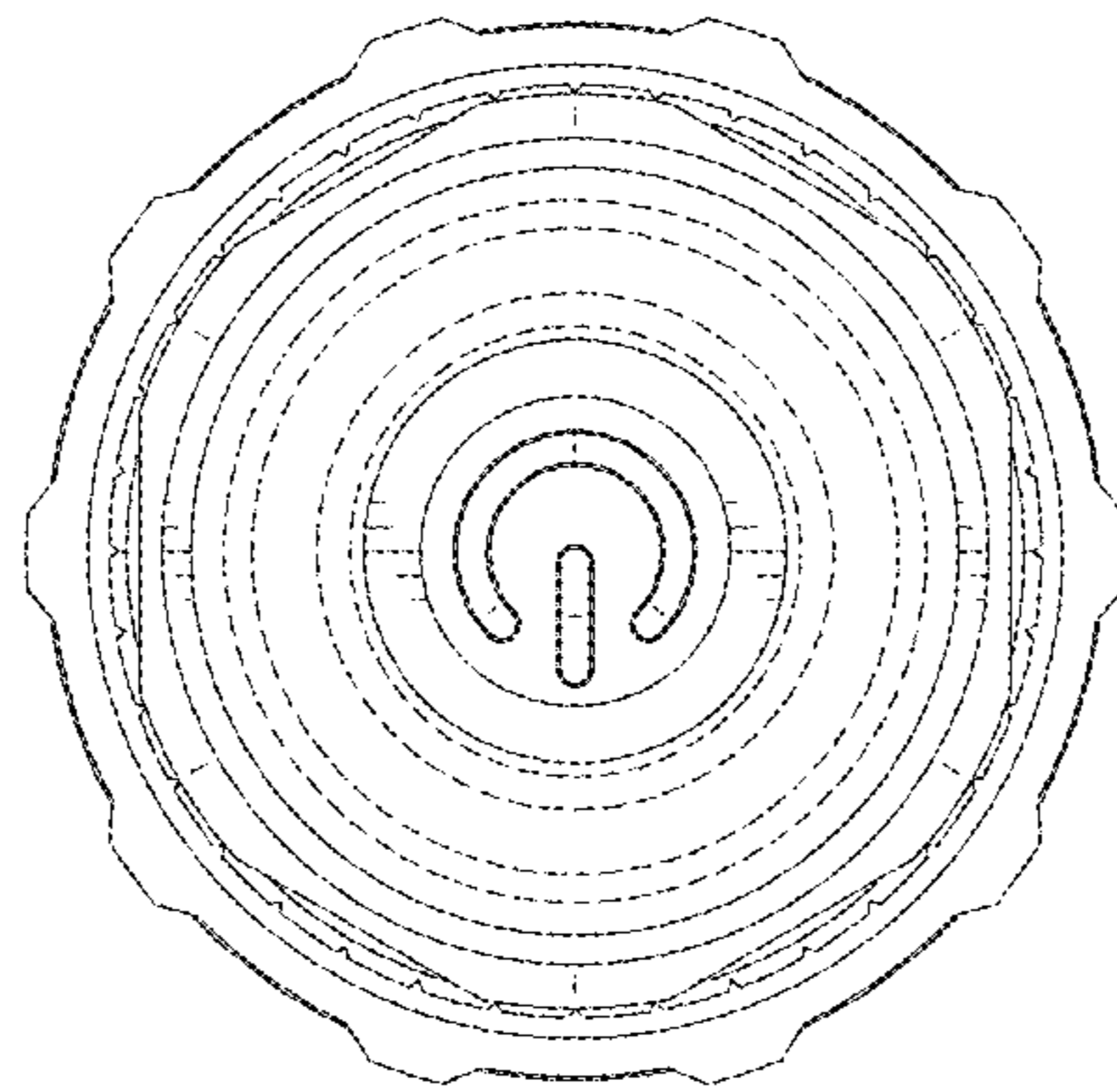


FIG.15

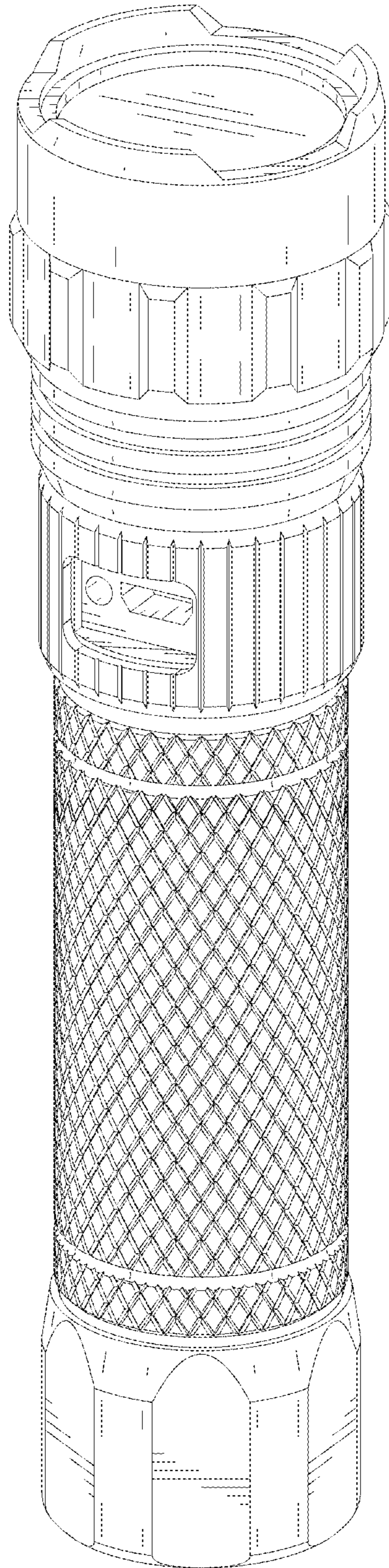


FIG.16

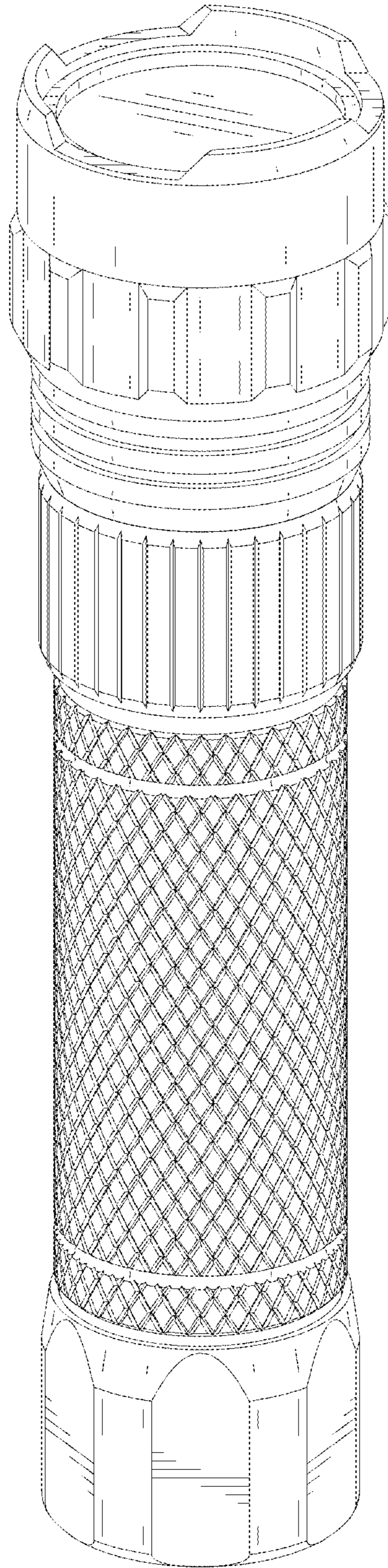


FIG.17

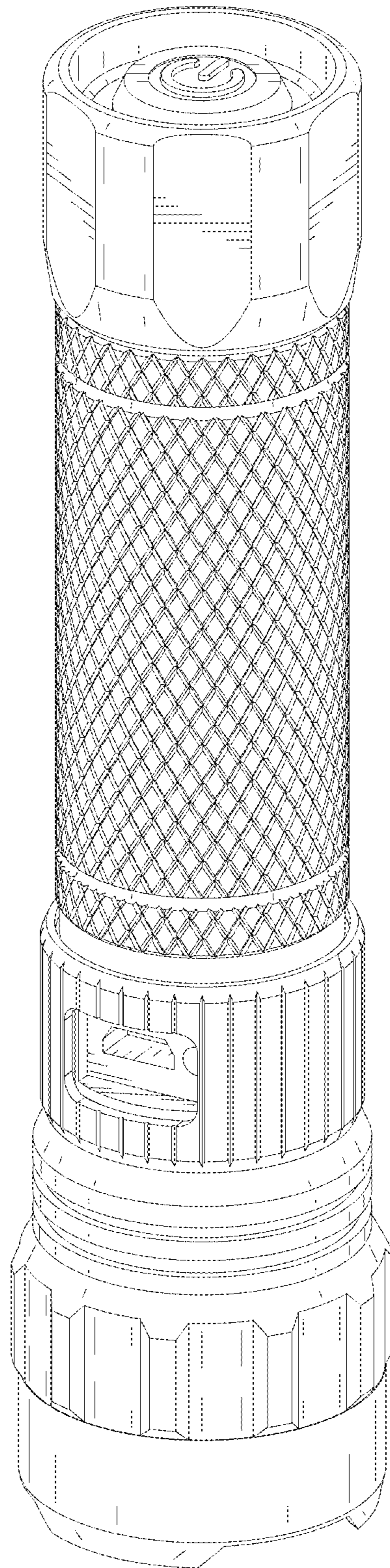


FIG.18